



US00D379960S

United States Patent [19]

Ness

[11] Patent Number: **Des. 379,960**

[45] Date of Patent: ****Jun. 17, 1997**

[54] **VEHICLE FLUID CONTAINER**

3,269,549 8/1966 Gillette 211/50

[75] Inventor: **Dennis H. Ness**, Brooklyn Center, Minn.

Primary Examiner—Melody N. Brown
Attorney, Agent, or Firm—M. Conrad Huffstutler

[73] Assignee: **Power Madd**, Edina, Minn.

[57] **CLAIM**

[**] Term: **14 Years**

The ornamental design for a vehicle fluid container, as shown and described.

[21] Appl. No.: **16,896**

DESCRIPTION

[22] Filed: **Dec. 27, 1993**

[51] **LOC (6) Cl.** **12-06**

[52] **U.S. Cl.** **D12/218**

[58] **Field of Search** D12/218; D9/454,
D9/455, 434, 435, 444; 206/193, 194, 315-9;
211/13, 50

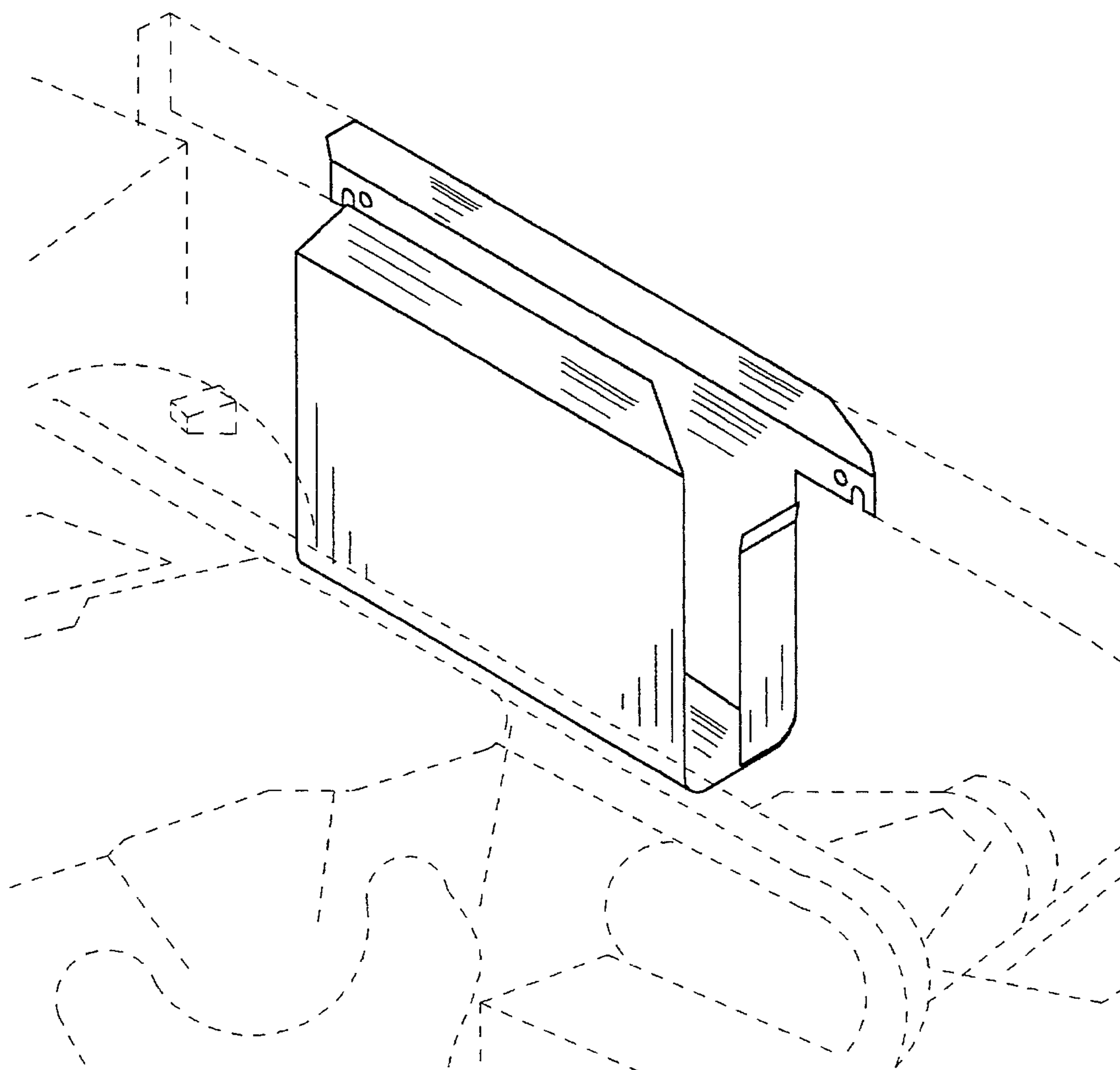
FIG. 1 is a top view of vehicle fluid container;
FIG. 2 is a front view of vehicle fluid container;
FIG. 3 is a right-side view of vehicle fluid container;
FIG. 4 is a perspective view of the vehicle fluid container, the partial snowmobile environment shown in broken lines is for illustrative purposes only and forms no part of the claimed design;
FIG. 5 is a perspective view of the vehicle fluid container with two vehicle fluid packages shown in broken lines; and,
FIG. 6 is an enlarged cross sectional view taken along line 6—6 in FIG. 1.

[56] References Cited

U.S. PATENT DOCUMENTS

- D. 205,123 6/1966 Giesecke D6/490
- D. 211,139 5/1968 Nowak D6/490
- D. 241,895 10/1976 Forbes D6/490

1 Claim, 6 Drawing Sheets



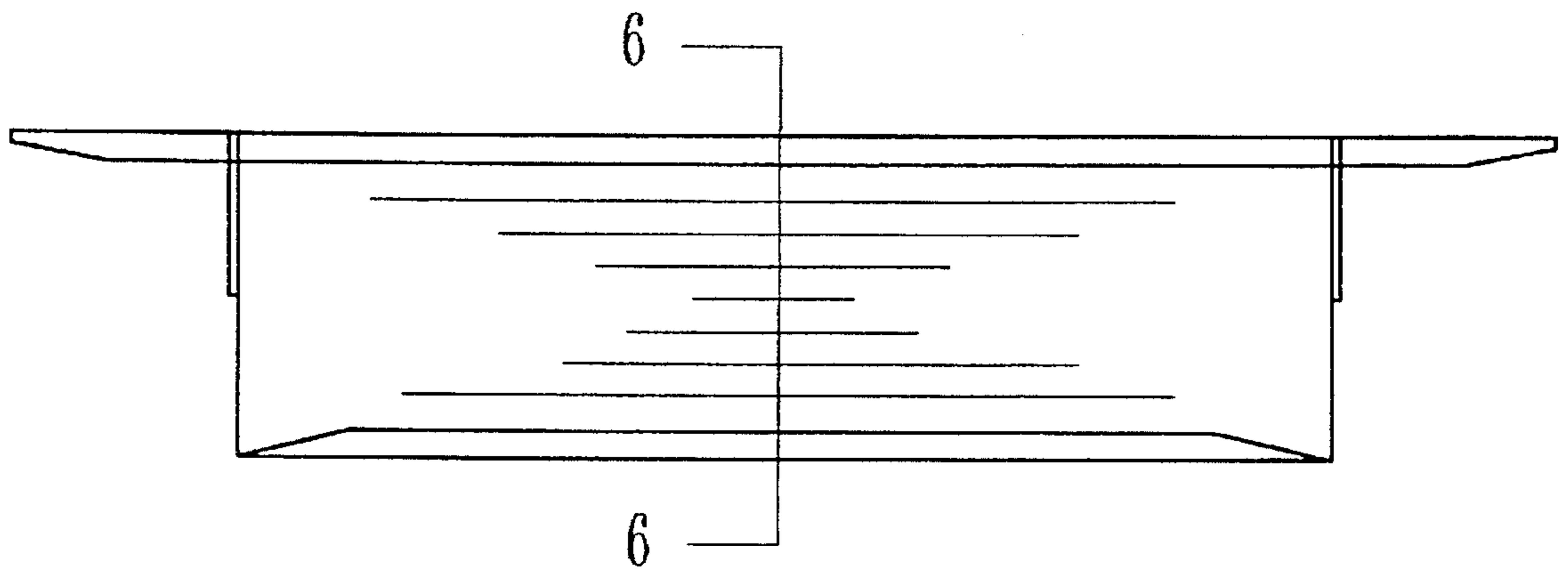


Fig. 1

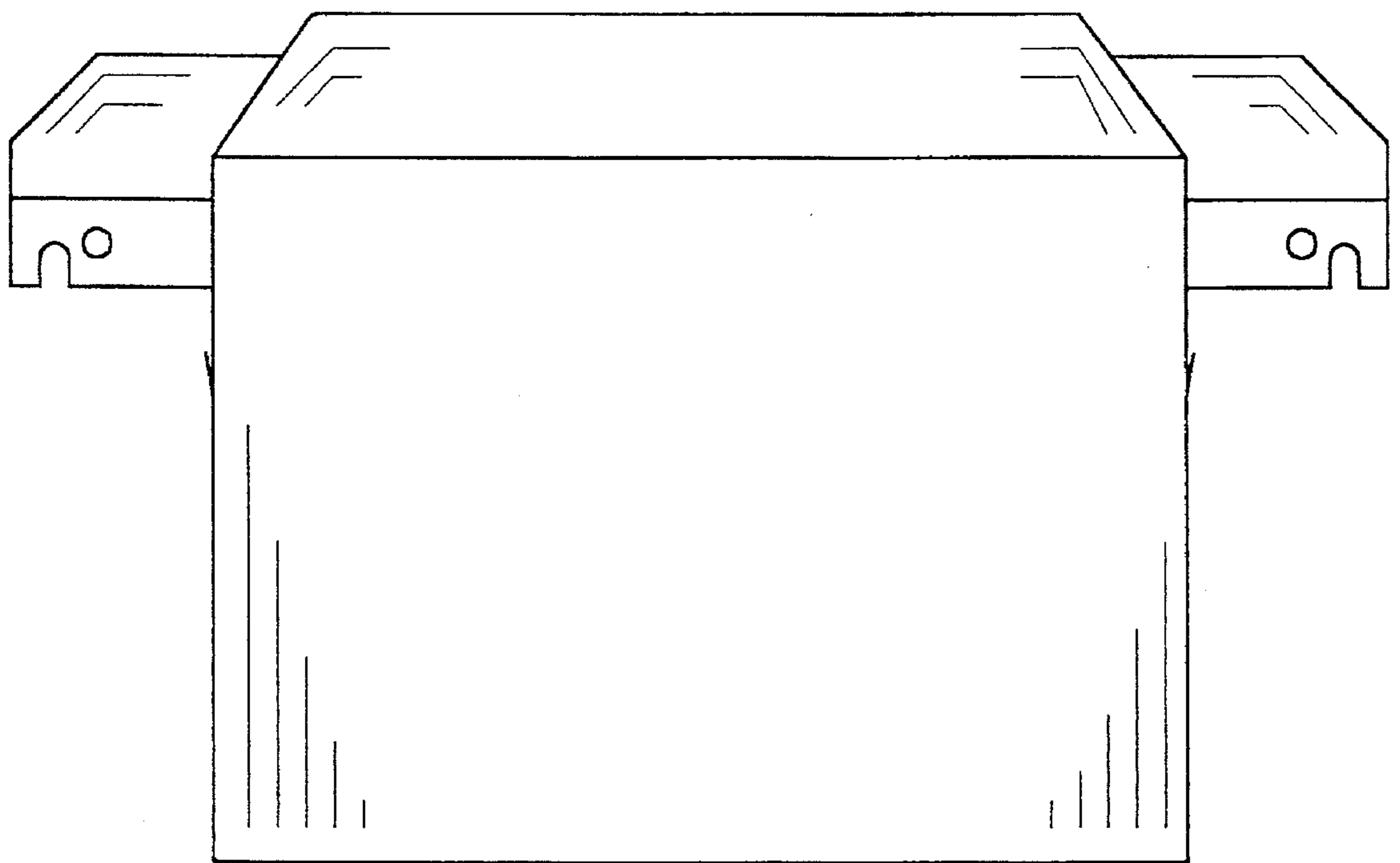


Fig. 2

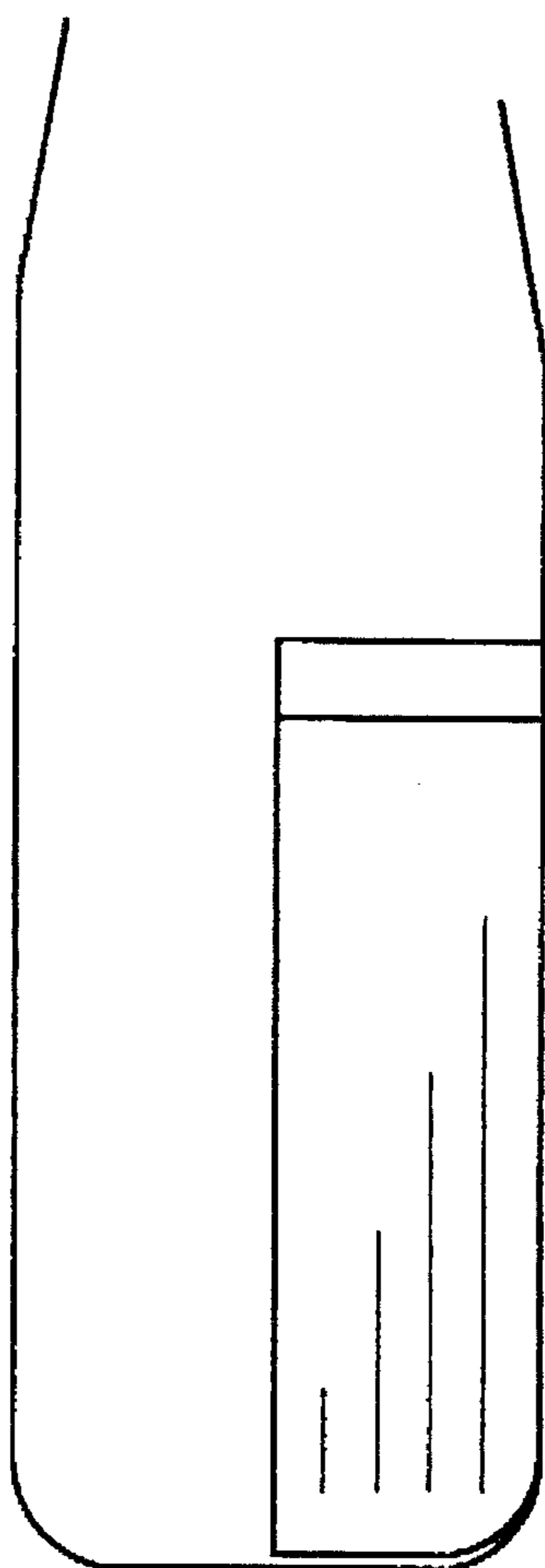
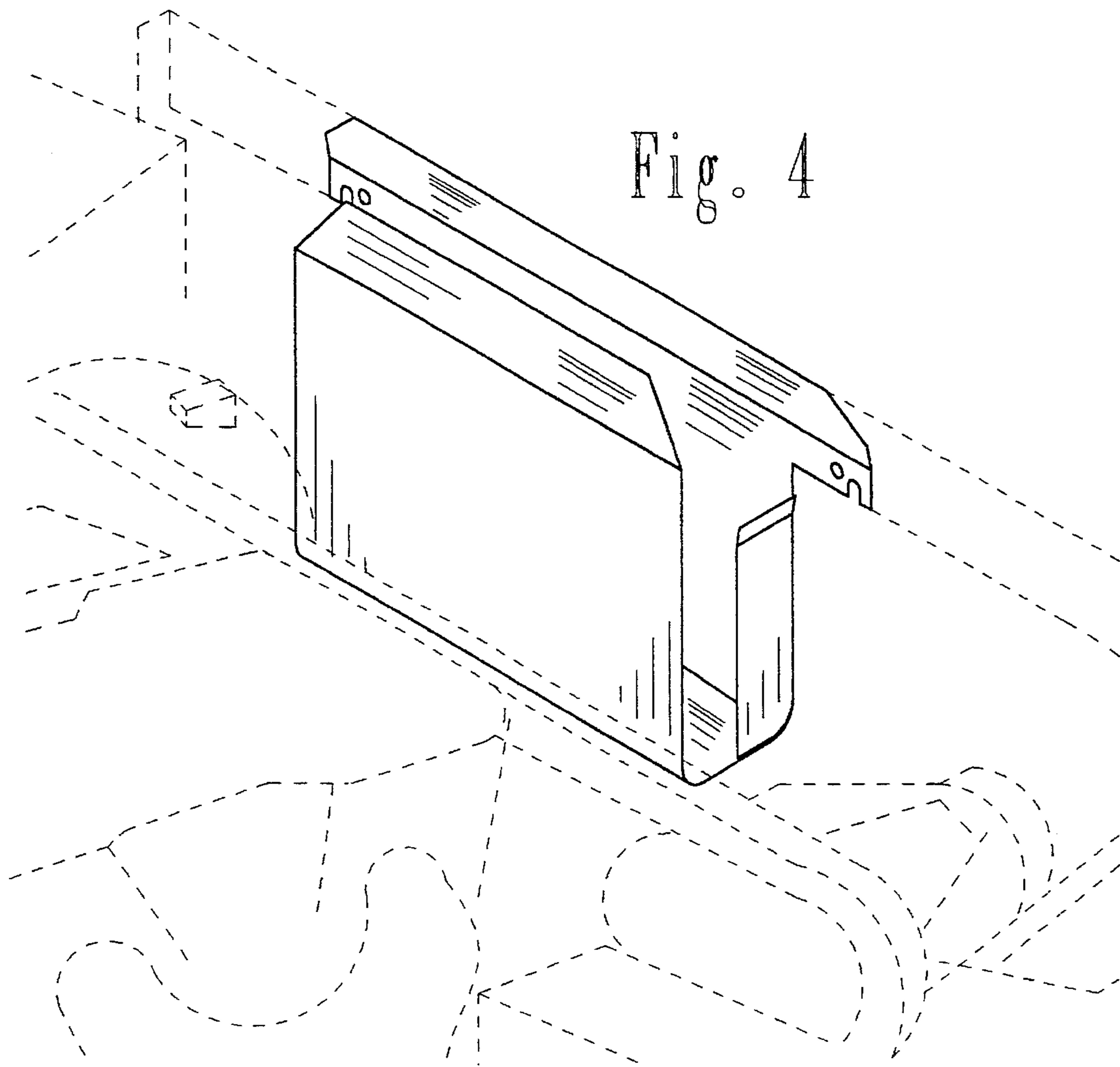


Fig. 3



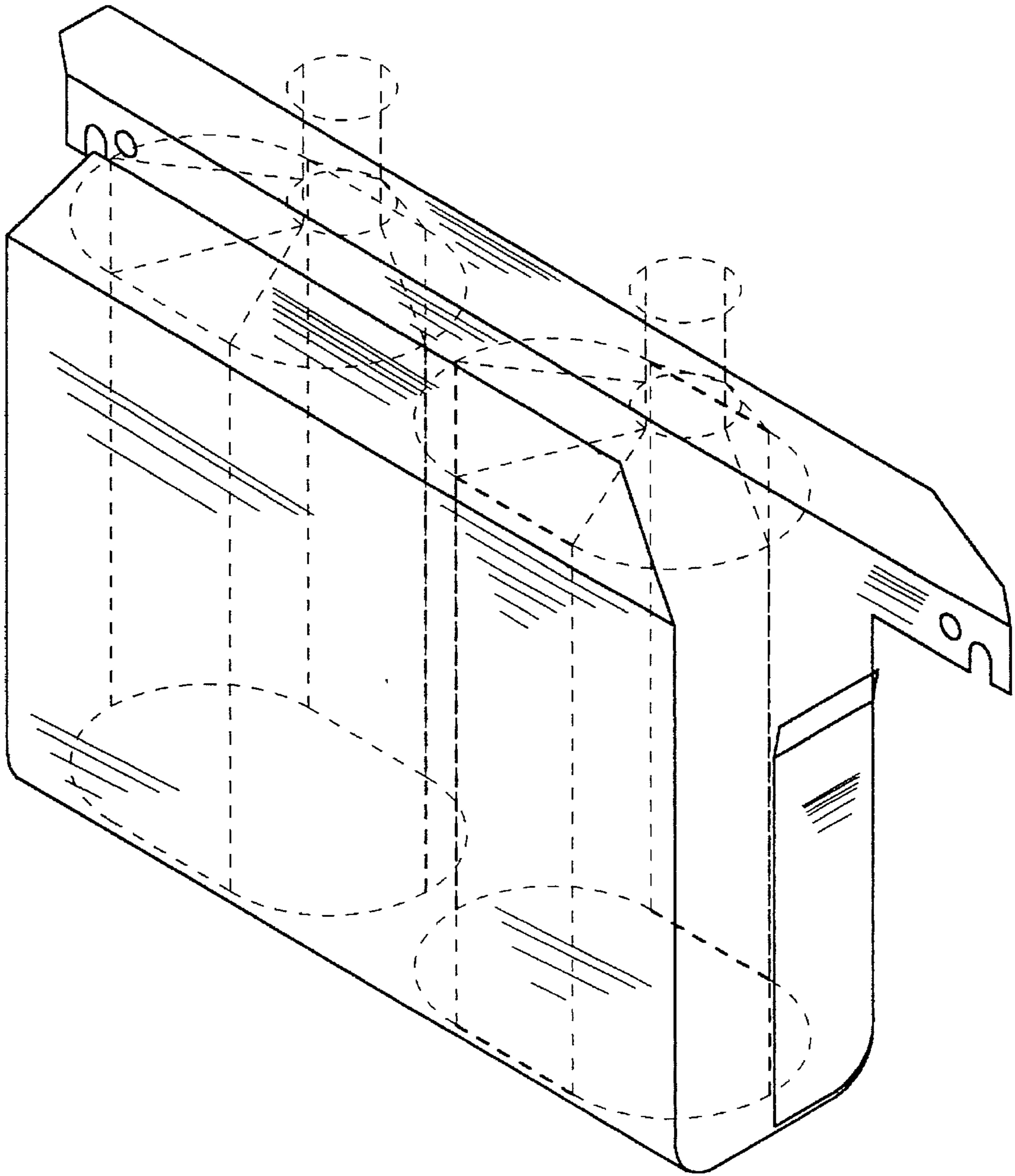


Fig. 5

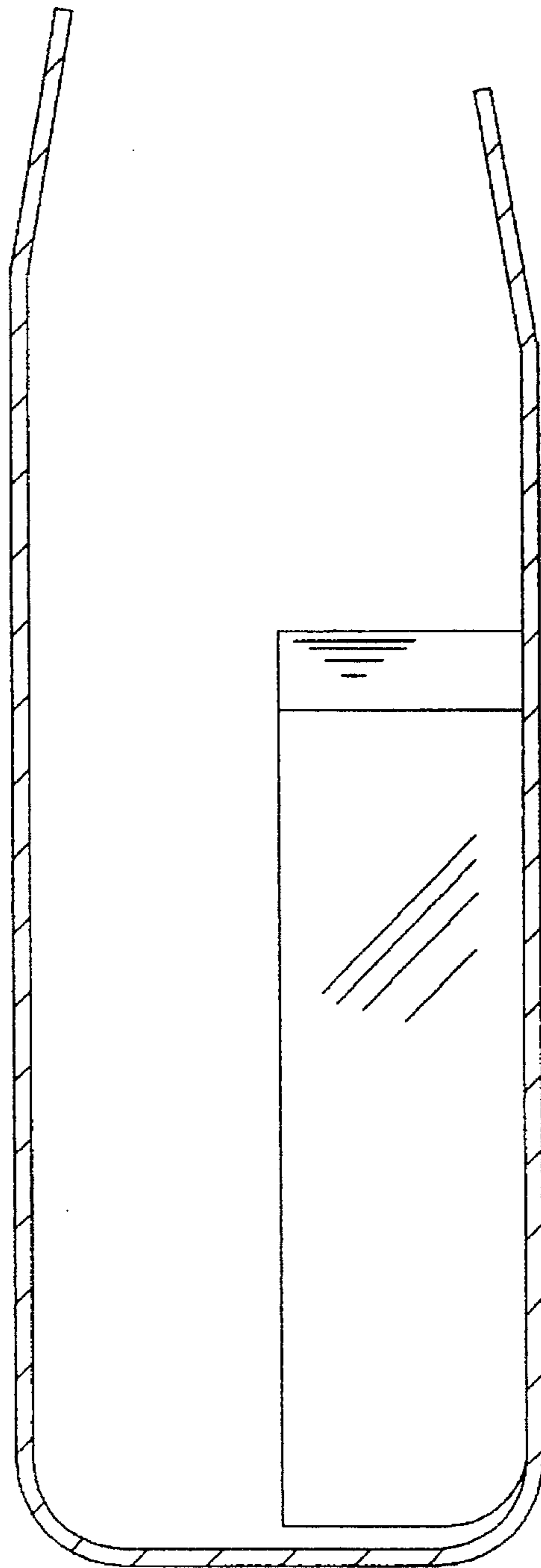


Fig. 6