



US00D379959S

# United States Patent [19]

[11] Patent Number: **Des. 379,959**

Miansian

[45] Date of Patent: **\*\*Jun. 17, 1997**

[54] **SPINNER FOR WHEELS**

[76] Inventor: **James K. Miansian**, 21851 Rushford Dr., Lake Forest, Calif. 92630

[\*\*] Term: **14 Years**

[21] Appl. No.: **54,476**

[22] Filed: **Apr. 15, 1996**

[51] LOC (6) Cl. .... **12-16**

[52] U.S. Cl. .... **D12/213**

[58] Field of Search ..... D12/213; 301/108.1, 301/37.1, 37.26, 37.42; D11/158, 162; D21/148

[56] **References Cited**

**U.S. PATENT DOCUMENTS**

D. 191,394	9/1961	Garcia	.....	D12/213
D. 297,632	9/1988	Marshall	.....	D12/213
D. 349,539	8/1994	Knudsen	.....	D21/148 X
D. 362,233	9/1995	Miansian	.....	D12/213
D. 366,442	1/1996	Marchisset	.....	D12/213
D. 370,198	5/1996	Starr, Sr. et al.	.....	D12/213
D. 372,451	8/1996	Miansian	.....	D12/213
D. 373,103	8/1996	Miansian	.....	D12/213
3,220,776	11/1965	Golden	.....	301/108.1 X
4,138,160	2/1979	Lohmeyer	.....	308/108.1 X
4,191,427	3/1980	Bradley	.....	301/108.1 X

**OTHER PUBLICATIONS**

National Catalog No. 66, Pub. Nov. 1965, p.5, Spinner No. 722K-169 & 721K-165, bottom of page.  
Tyler Automotive Unlimited Catalog No. 55, ©1964, p. 89, "Knock-Off" Type Spinner with Bullet Center, bottom of page.

Tyler Automotive Unlimited Catalog No. 55, ©1964, p. 90, "Knock-Off" Spinner Hub Cap & Tri-Bar, Knock-Off Spider with Bullets, top of page.

*Primary Examiner*—B. J. Bullock  
*Assistant Examiner*—Stacia Sinuik

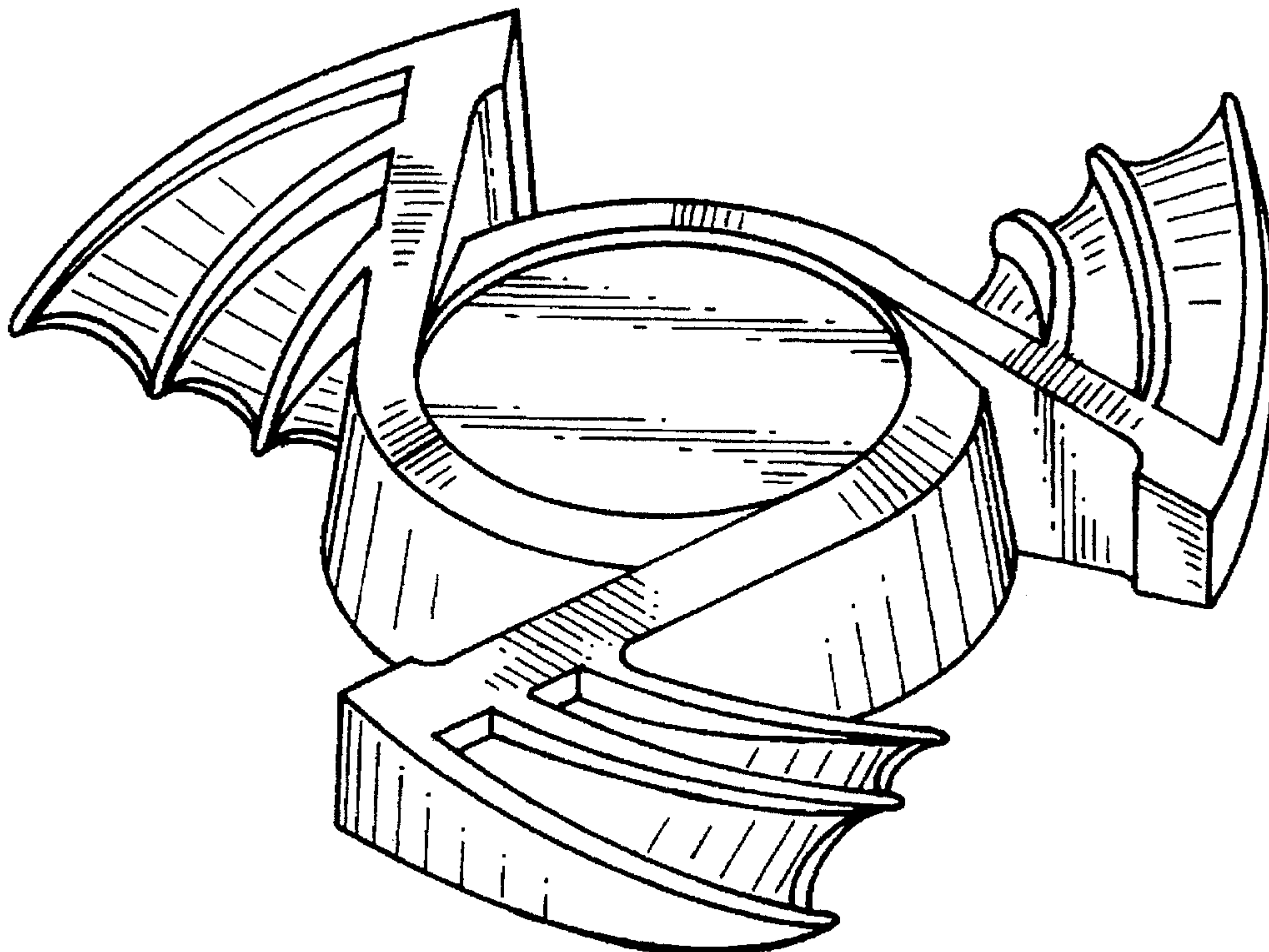
[57] **CLAIM**

The ornamental design for a spinner for wheels, as shown and described.

**DESCRIPTION**

FIG. 1 is a top, front perspective view of a three wing embodiment of a spinner for wheels showing my new design, with a flat top;  
FIG. 2 is a top plan view thereof;  
FIG. 3 is an enlarged bottom view of a wing thereof;  
FIG. 4 is a side elevational view thereof;  
FIG. 5 is a top, front perspective view of a three wing embodiment of a spinner for wheels showing my new design, with a dome top;  
FIG. 6 is a top plan view thereof;  
FIG. 7 is a side elevational view thereof;  
FIG. 8 is a top, front perspective view of a two wing embodiment of a spinner for wheels showing my new design, with a flat top;  
FIG. 9 is a top plan view thereof;  
FIG. 10 is a side elevational view thereof;  
FIG. 11 is a top, front perspective view of a two wing embodiment of a spinner for wheels showing my new design, with a dome top;  
FIG. 12 is a top plan view thereof; and  
FIG. 13 is a side elevational view thereof.

**1 Claim, 4 Drawing Sheets**



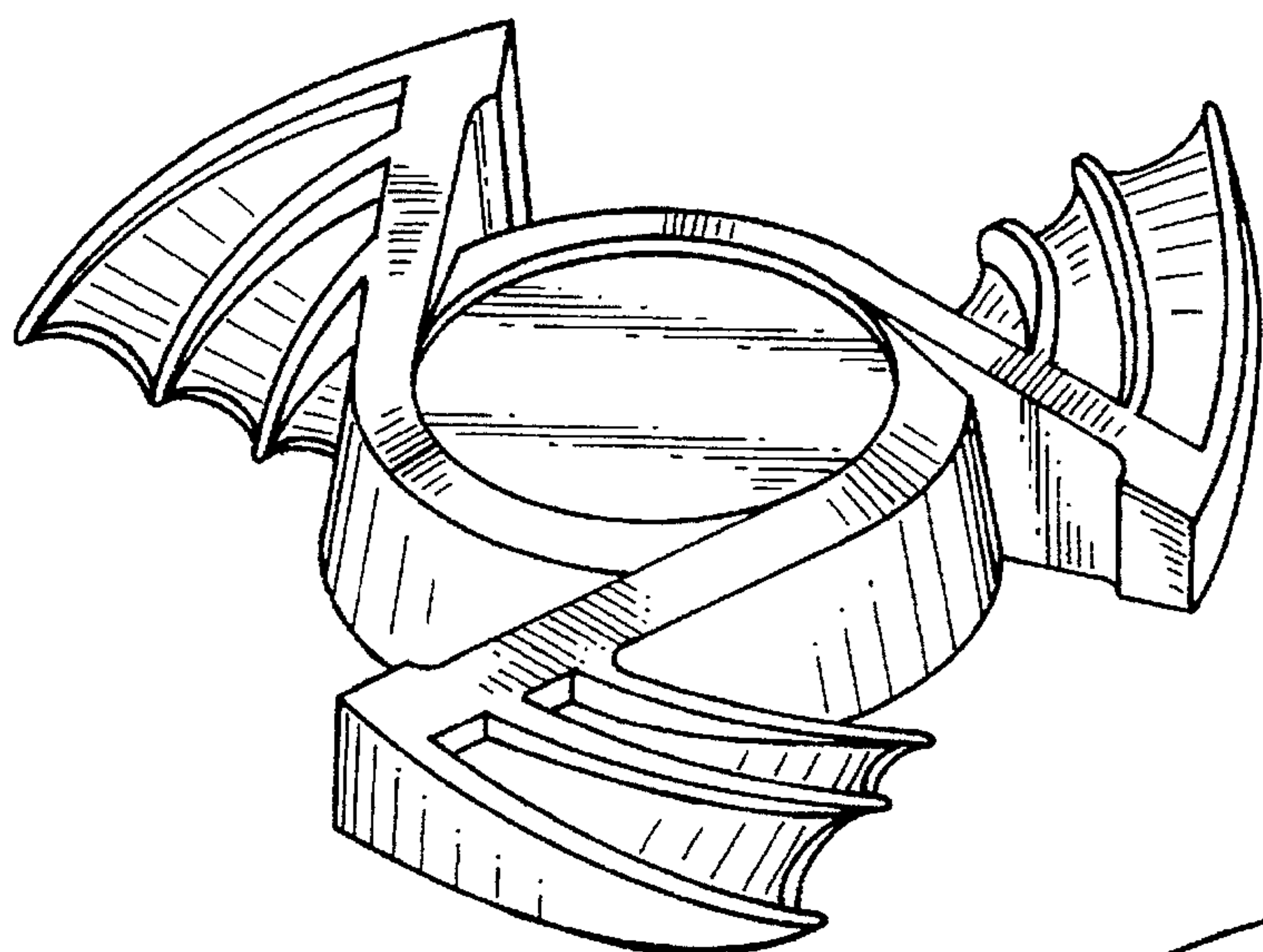


FIG. 1

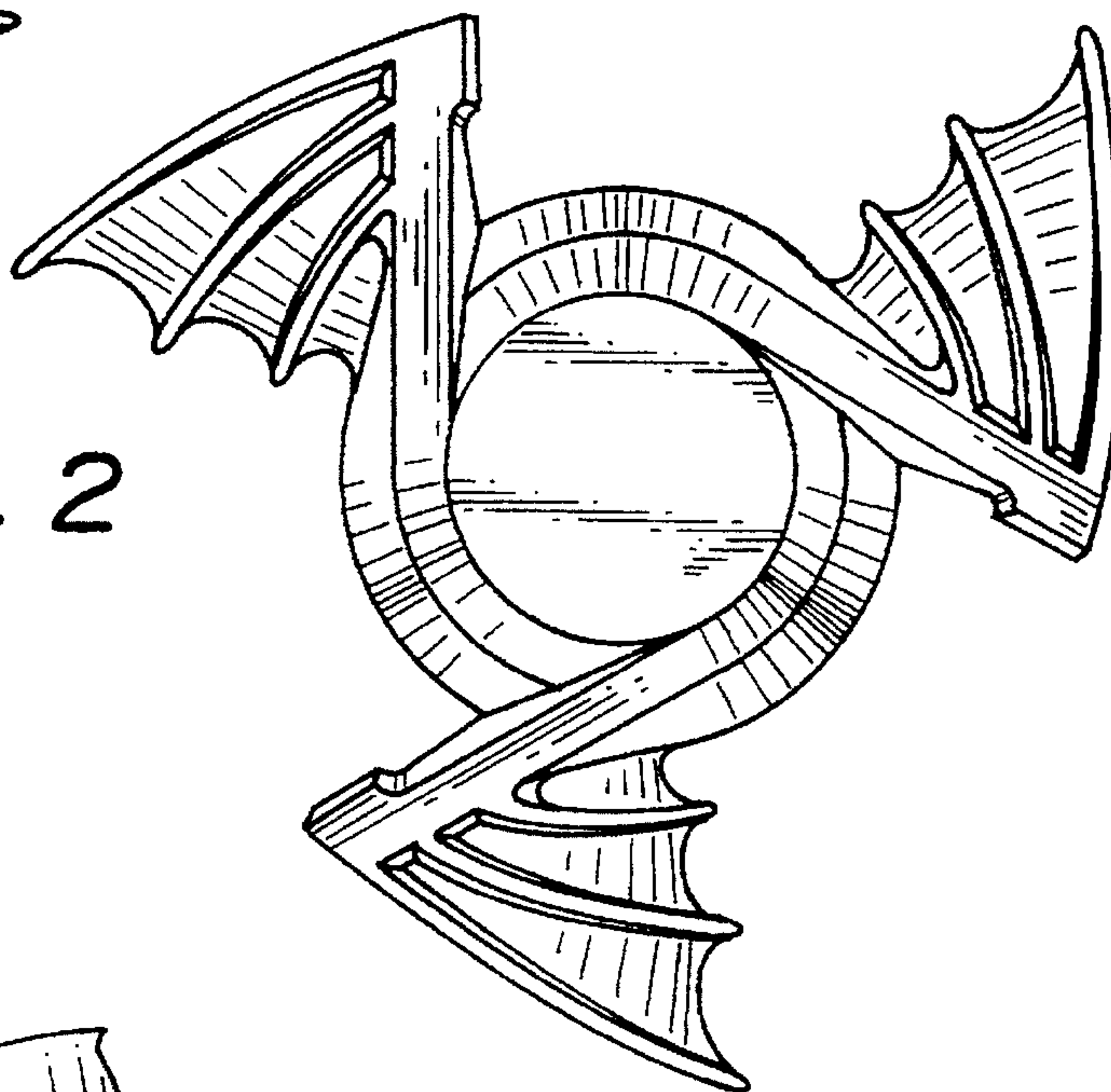


FIG. 2

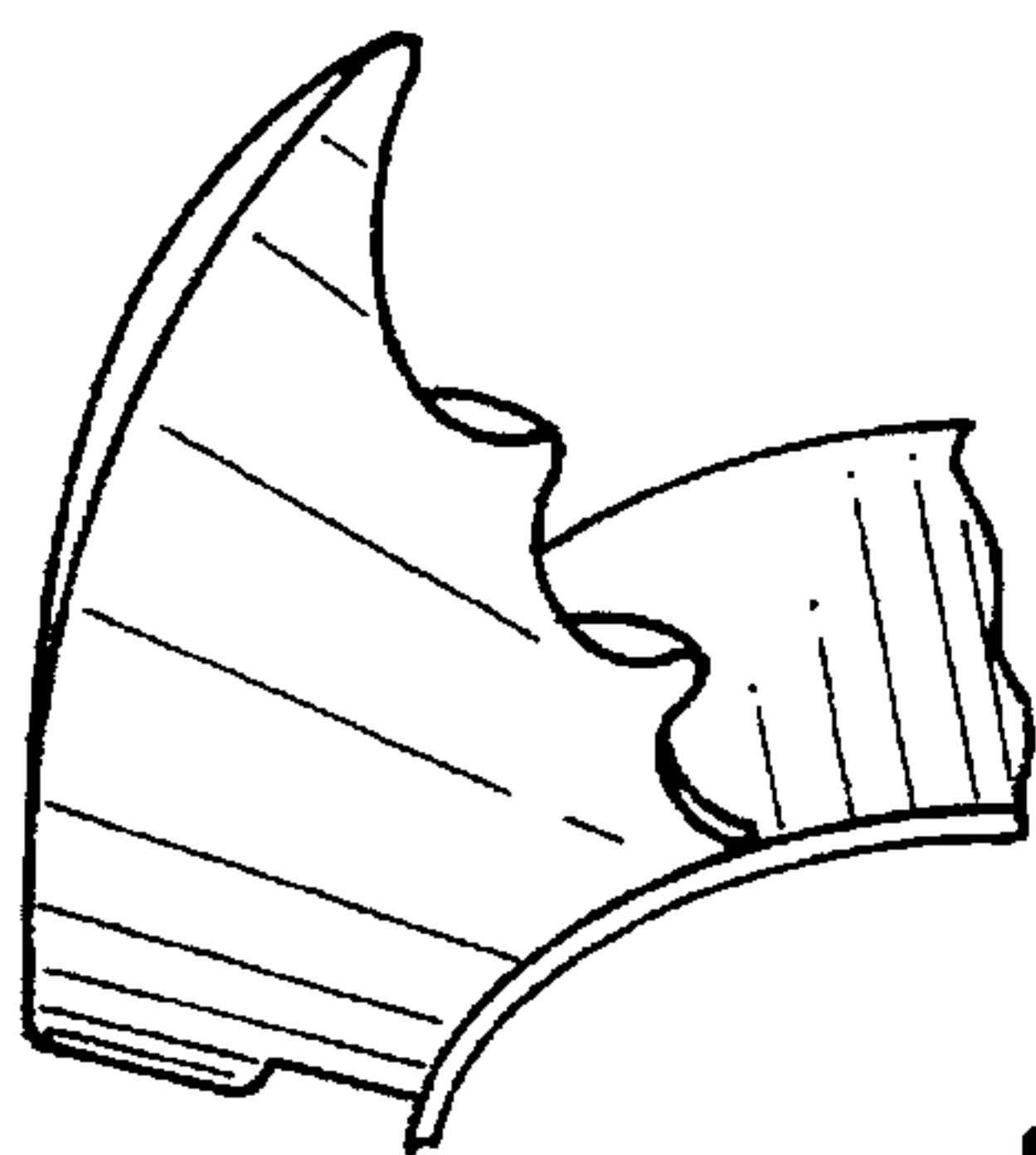
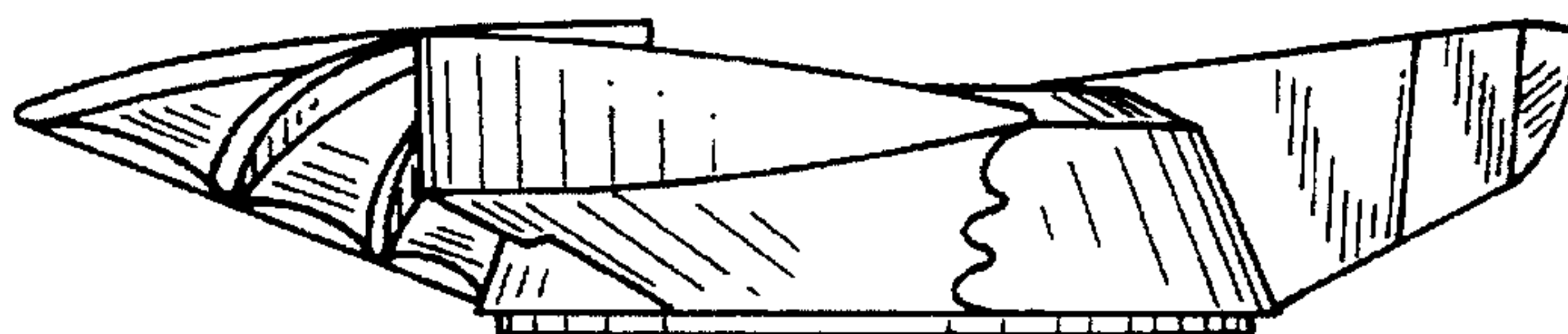


FIG. 3

FIG. 4





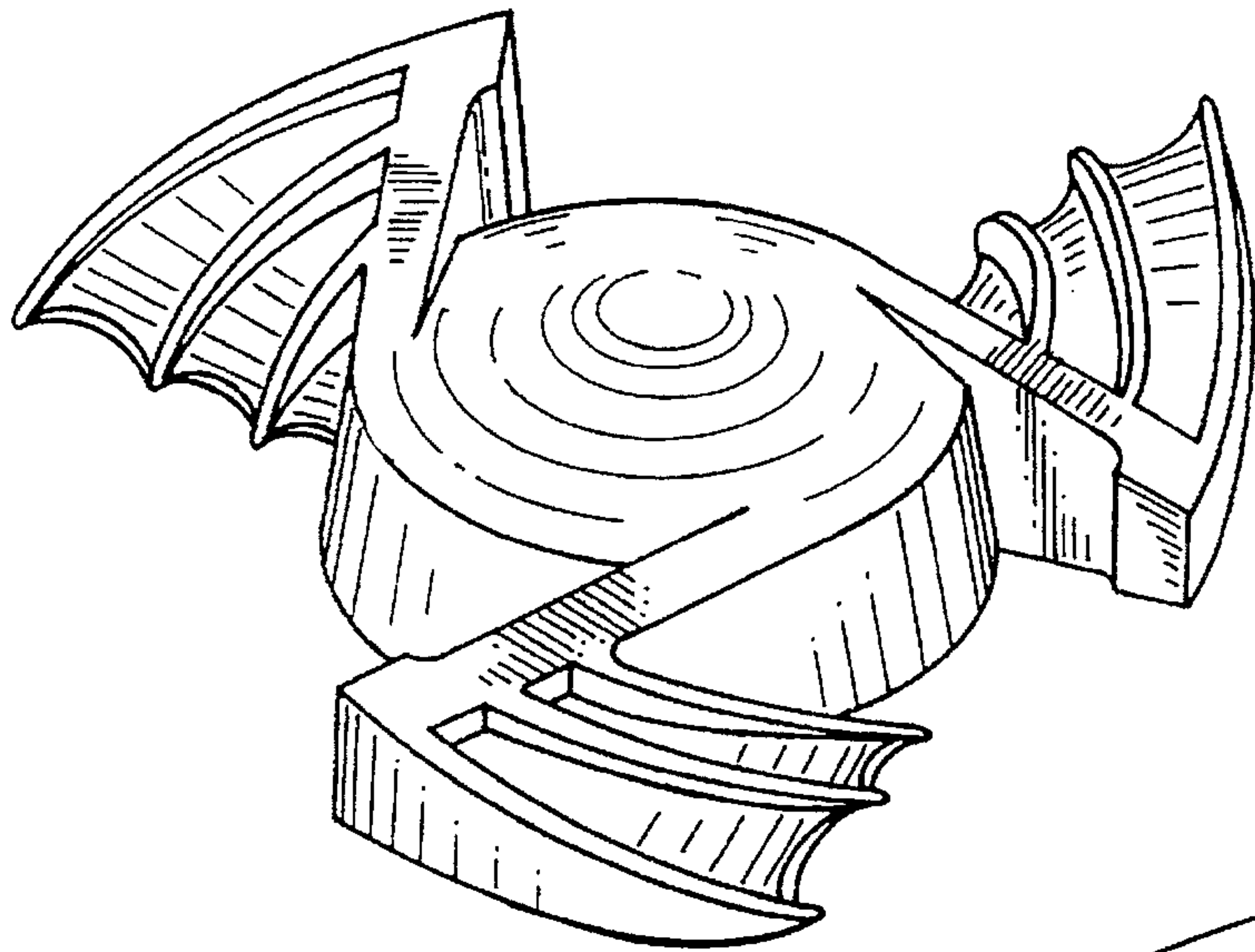


FIG. 5

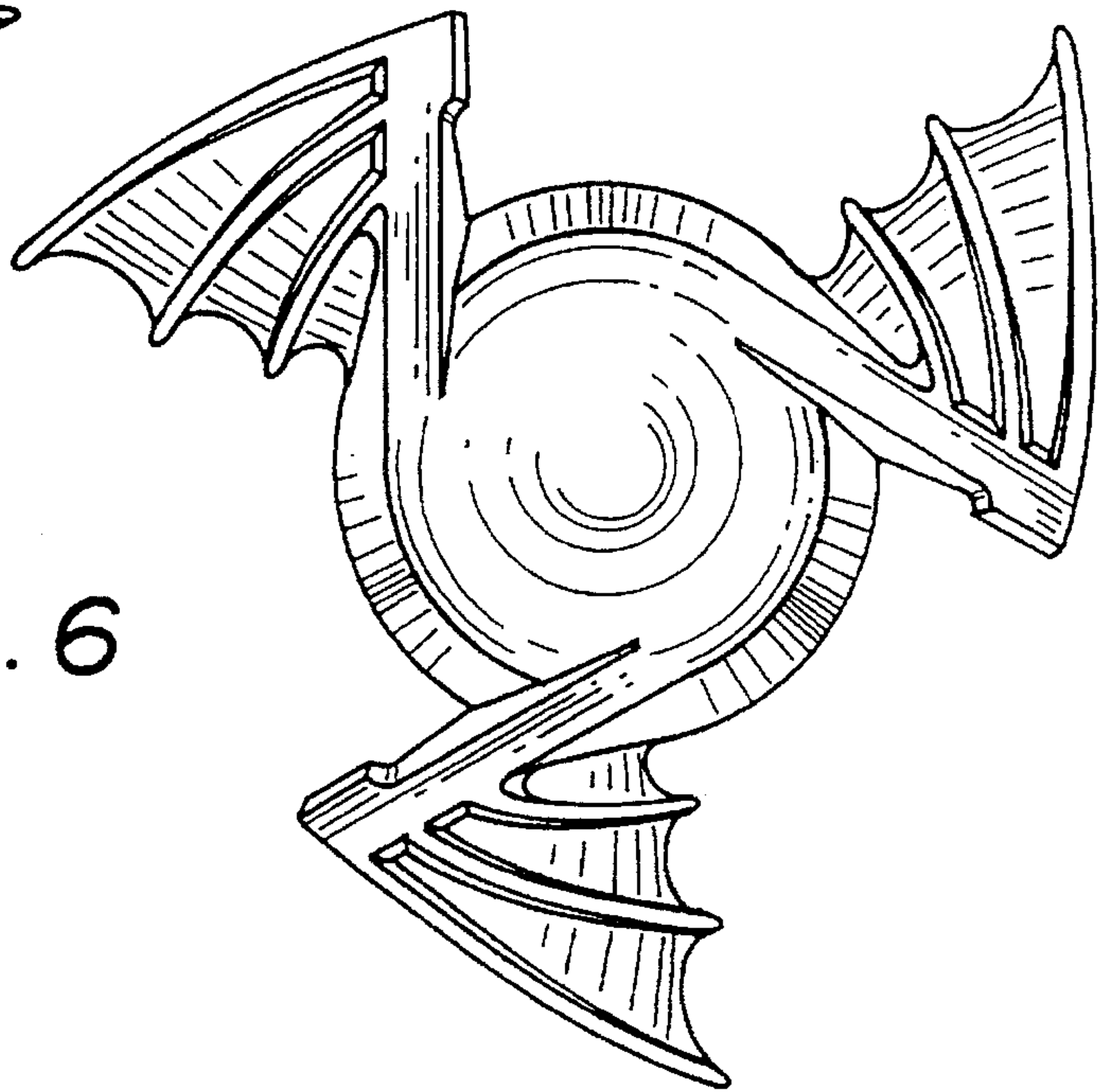
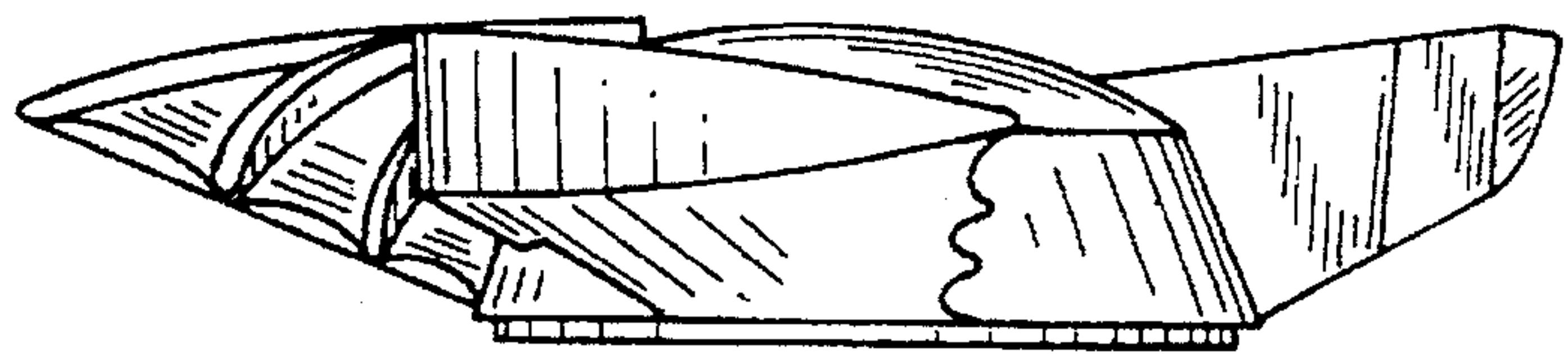


FIG. 6

FIG. 7



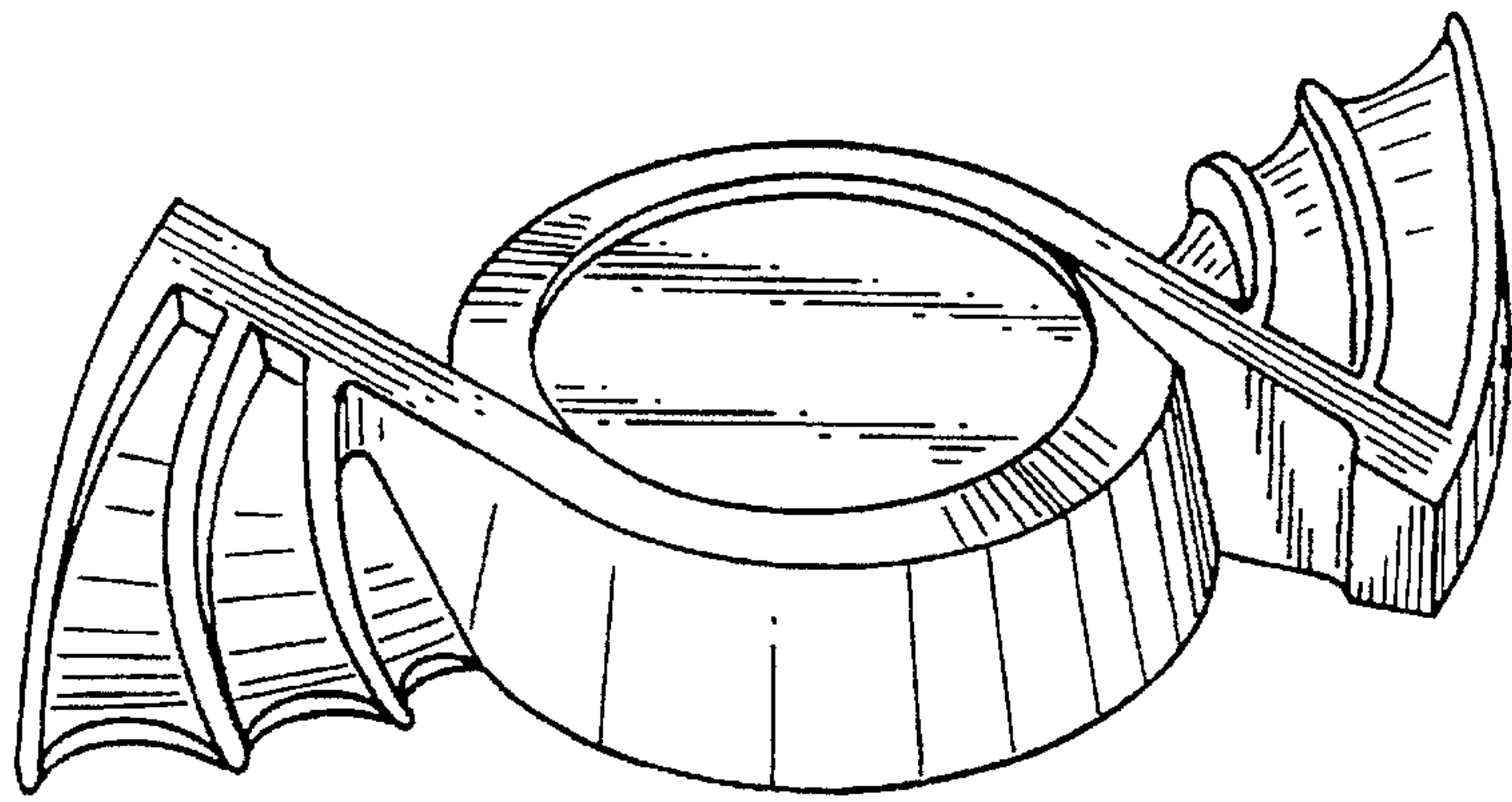


FIG. 8

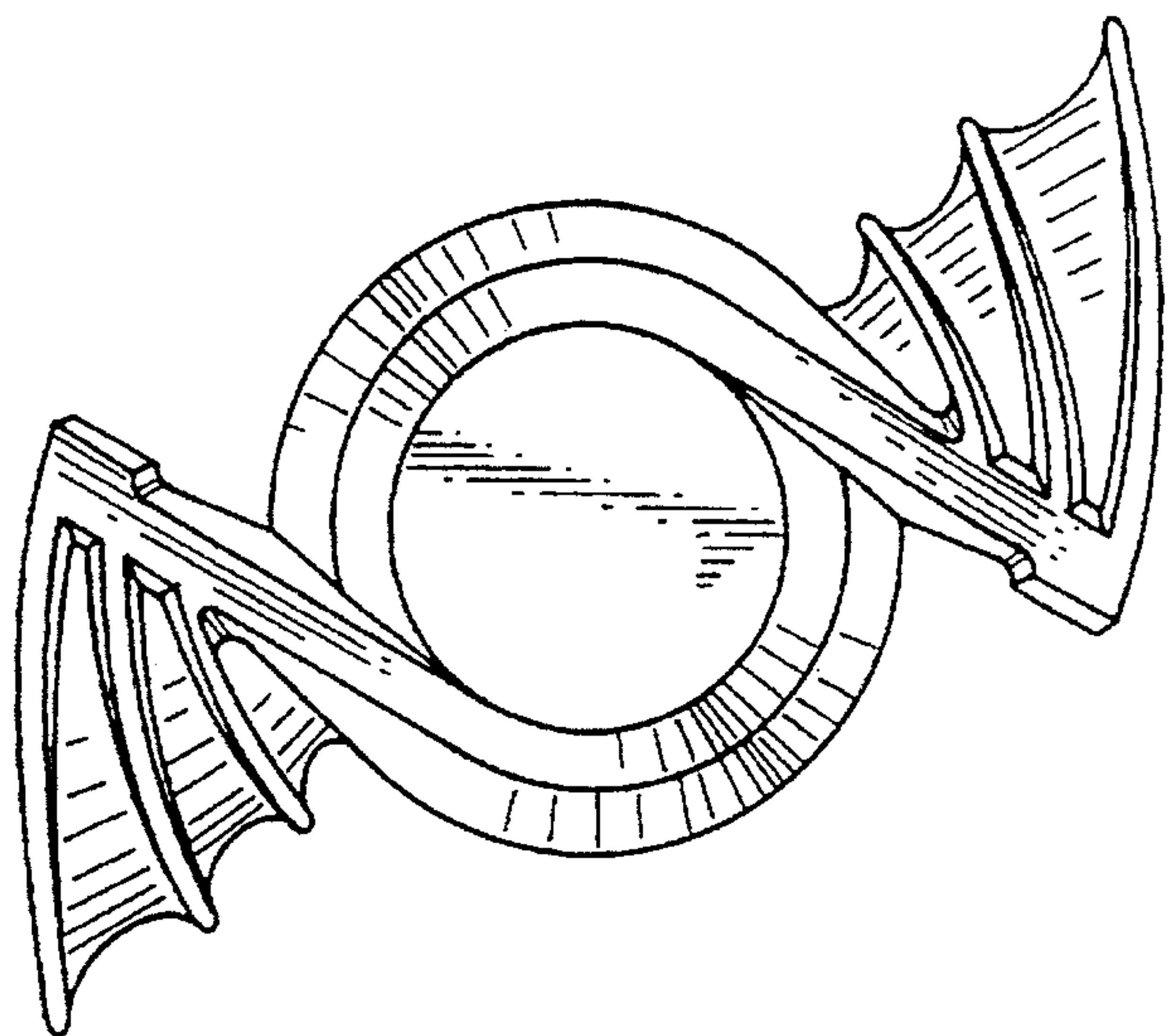


FIG. 9

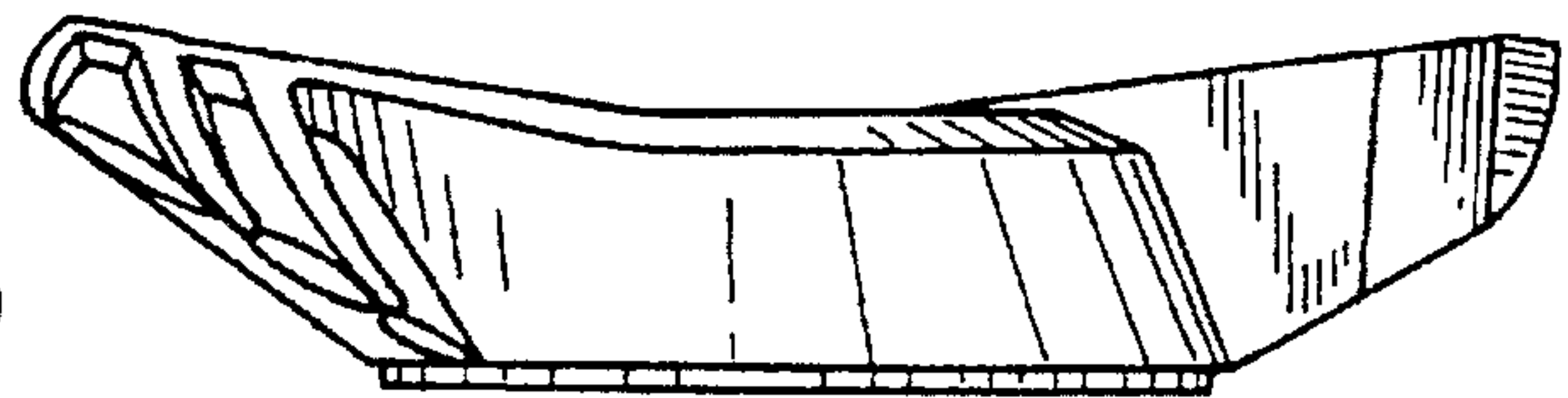
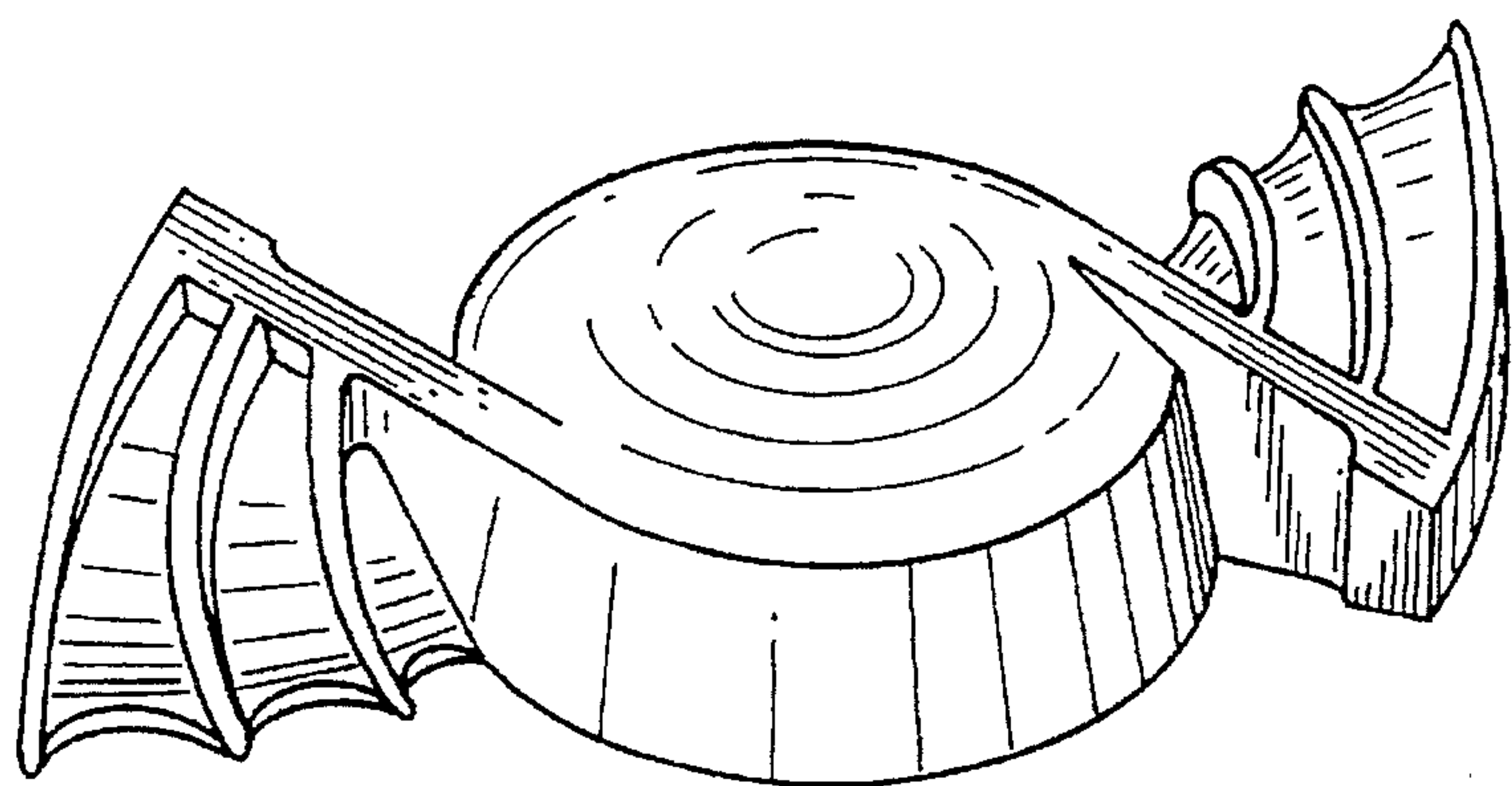
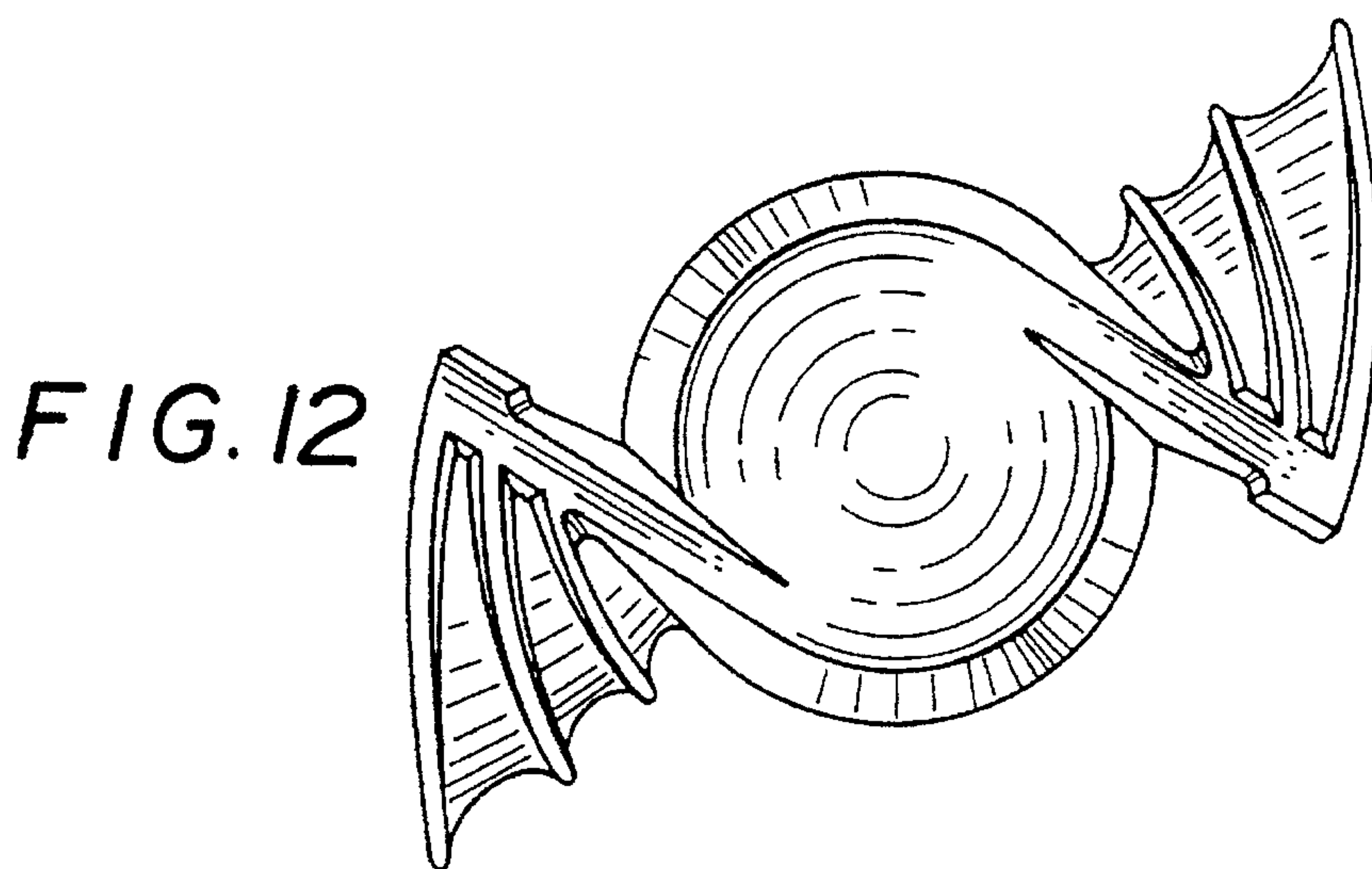


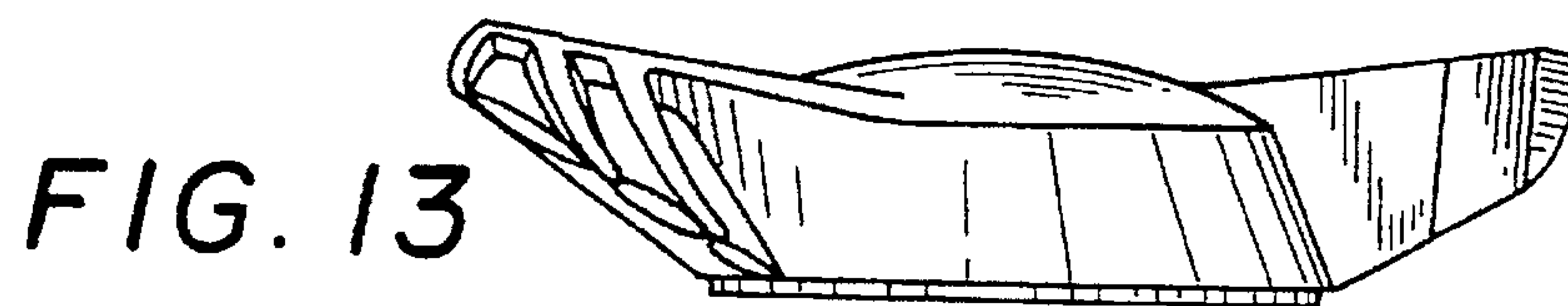
FIG. 10



*FIG. 11*



*FIG. 12*



*FIG. 13*