



US00D379955S

# United States Patent [19]

Slingluff et al.

[11] Patent Number: Des. 379,955

[45] Date of Patent: \*\*Jun. 17, 1997

[54] TIRE

[75] Inventors: **Mark D. Slingluff**, North Canton;  
**Thomas M. Kenny**, Tallmadge, both of Ohio

[73] Assignee: **Continental General Tire, Inc.**, Akron, Ohio

[\*\*] Term: **14 Years**

[21] Appl. No.: **46,877**

[22] Filed: **Nov. 20, 1995**

[51] LOC (6) Cl. .... **12-15**

[52] U.S. Cl. .... **D12/147**

[58] Field of Search ..... D12/146, 147,  
D12/148; 152/209 R, 209 D

### [56] References Cited

#### U.S. PATENT DOCUMENTS

D. 287,841	1/1987	Ono .....	D12/147
D. 318,831	8/1991	Guermadi et al. ....	D12/147
D. 320,966	10/1991	Miller et al. ....	D12/147
D. 335,841	5/1993	Caretta et al. ....	D12/146
D. 344,477	2/1994	Lardo .....	D12/146
5,538,060	7/1996	Van de Meer et al. ....	152/209 R

#### FOREIGN PATENT DOCUMENTS

3167009 7/1991 Japan ..... 152/209 D

#### OTHER PUBLICATIONS

Summit Siempre VI tire, *1994 Tread Design Guide*, p. 61, bottom left corner.

Toyo 800 Plus tire, *1994 Tread Design Guide*, p. 63, fourth row, far left.

*Primary Examiner*—James Gandy

*Assistant Examiner*—Robert Spear

*Attorney, Agent, or Firm*—Calfee Halter & Griswold

#### [57] CLAIM

The ornamental design for a tire, as shown and described.

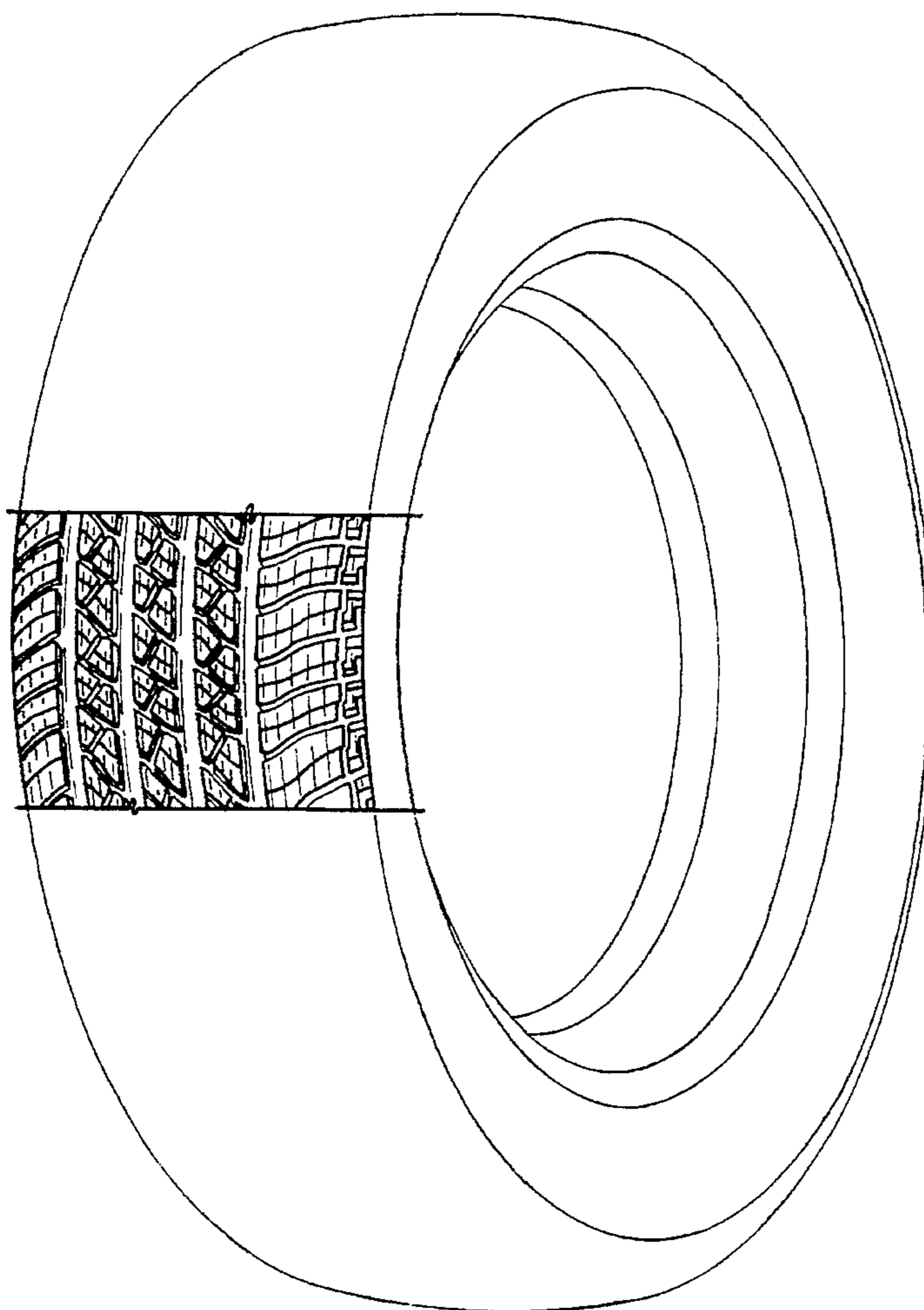
#### DESCRIPTION

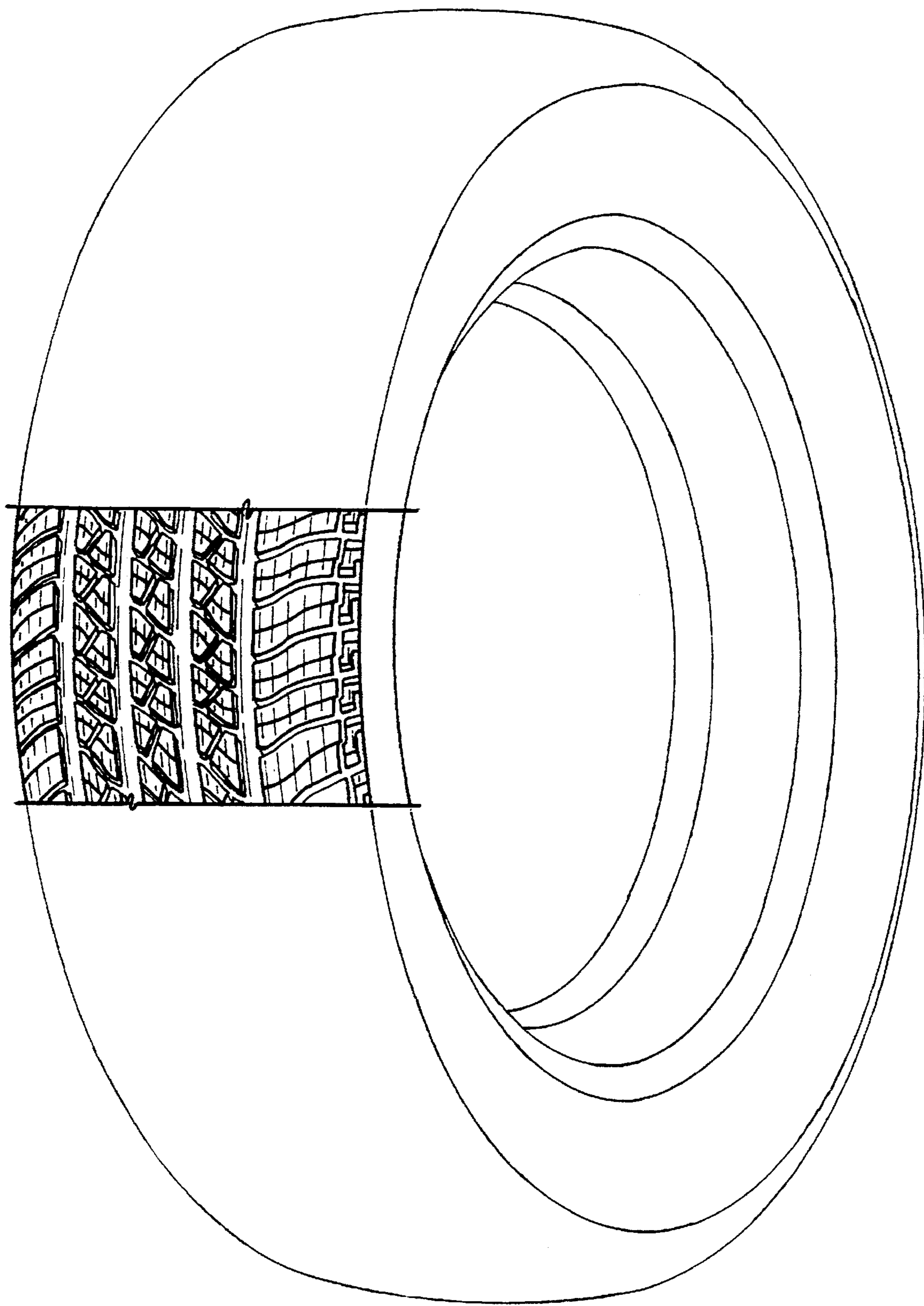
FIG. 1 is a perspective view of a tire showing our new design, it being understood that the tread pattern is repeated uniformly throughout the circumference of the tire, as indicated schematically in solid lines;

FIG. 2 is an enlarged fragmentary front elevational view thereof; and,

FIG. 3 is a side elevational view thereof, shown at a reduced scale, the opposite side elevational view being identical thereto.

**1 Claim, 3 Drawing Sheets**





*FIG. 1*

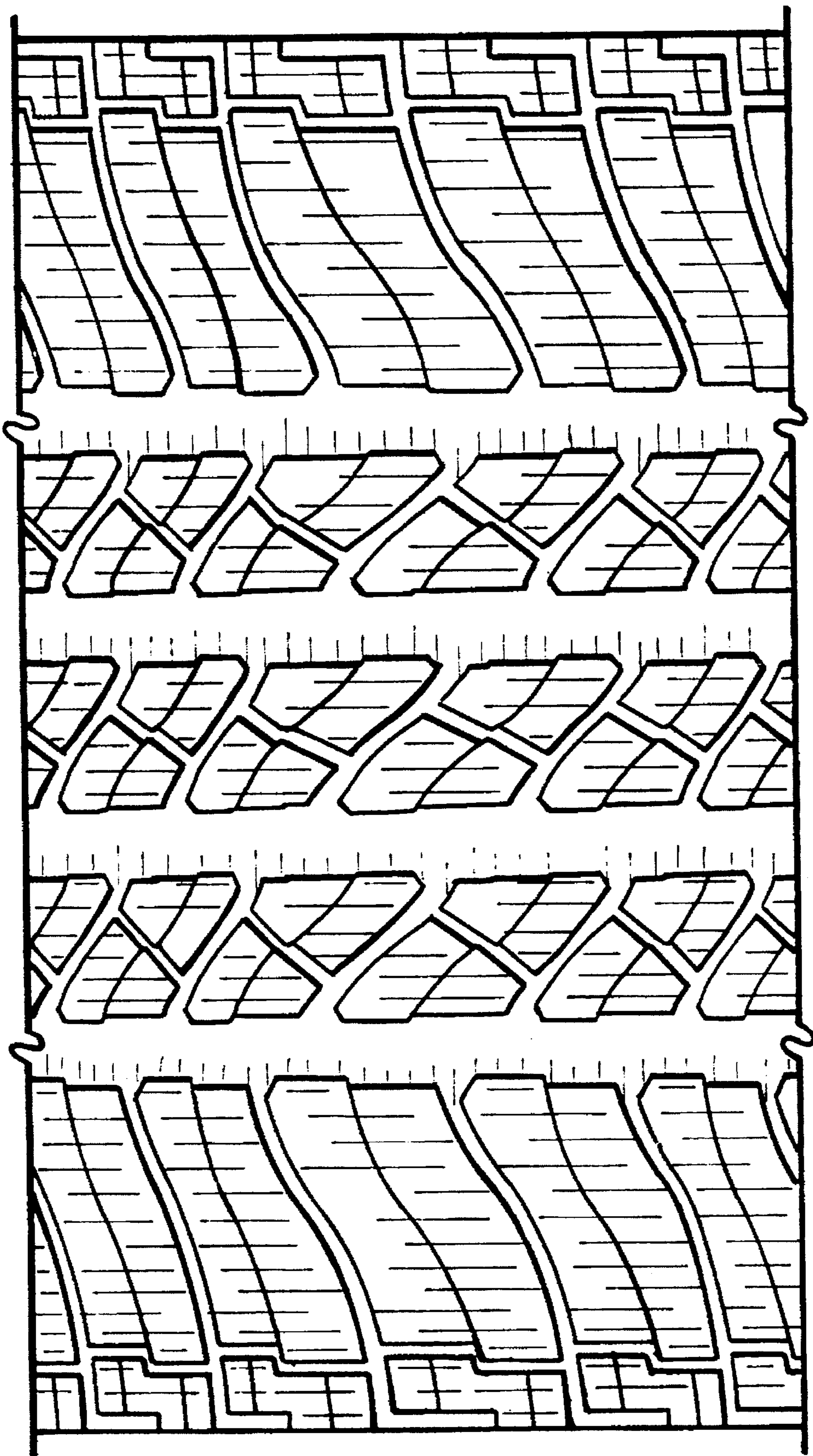


FIG. 2

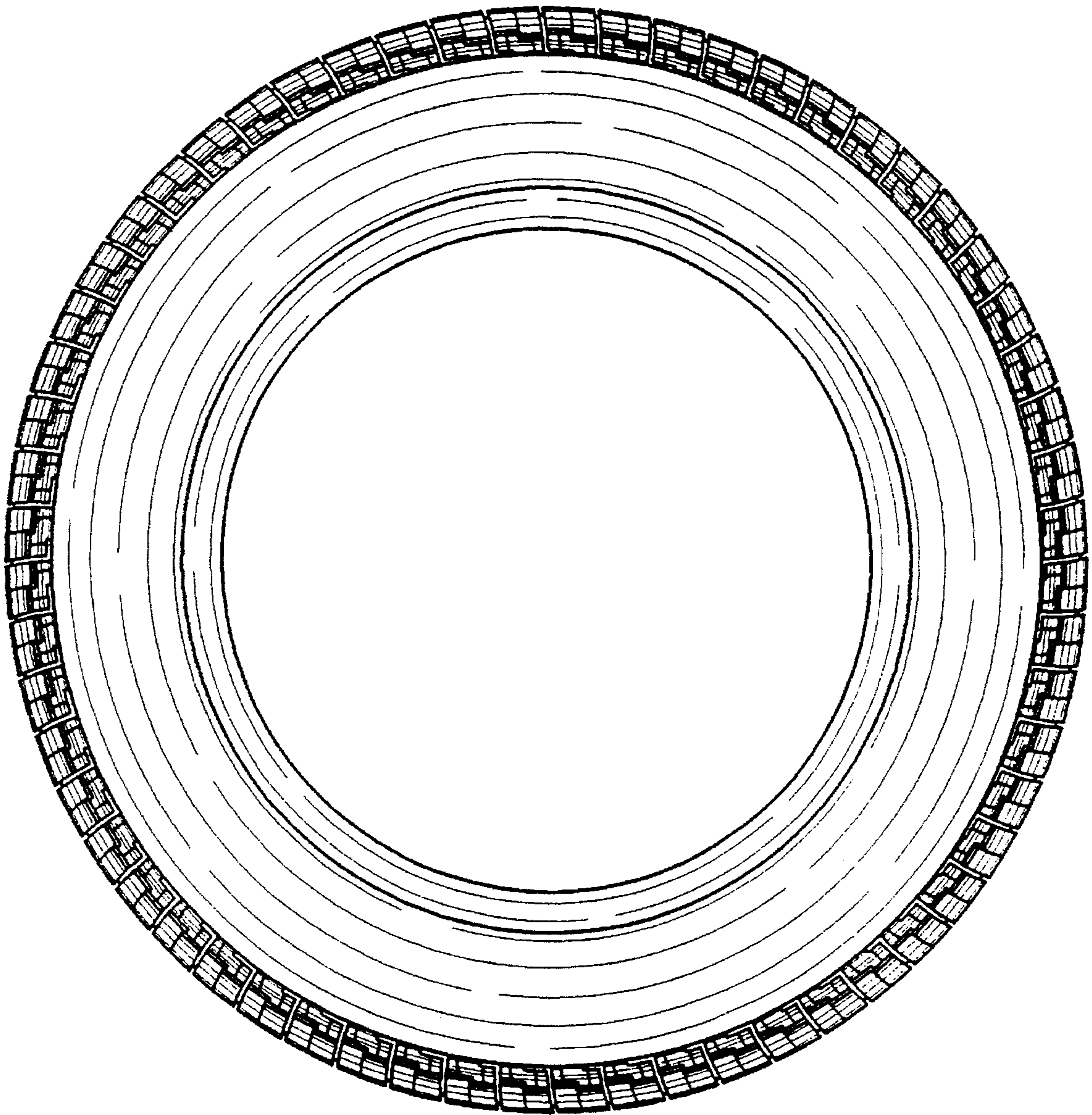


FIG. 3