



US00D379945S

# United States Patent [19]

Kawase et al.

[11] Patent Number: **Des. 379,945**

[45] Date of Patent: **\*\*Jun. 17, 1997**

[54] **AUTOMOBILE**

[75] Inventors: **Hiroyuki Kawase; Yutaka Ishibashi,**  
both of Wako, Japan

[73] Assignee: **Honda Giken Kogyo Kabushiki**  
**Kaisha, Tokyo, Japan**

[\*\*] Term: **14 Years**

[21] Appl. No.: **46,827**

[22] Filed: **Nov. 16, 1995**

[30] **Foreign Application Priority Data**

Nov. 4, 1994 [JP] Japan ..... 6-33759

[51] **LOC (6) Cl.** ..... **12-08**

[52] **U.S. Cl.** ..... **D12/91**

[58] **Field of Search** ..... **D12/90-92; 296/185**

[56] **References Cited**

**U.S. PATENT DOCUMENTS**

D. 311,159 10/1990 Hirata et al. .... D12/91

D. 347,198 5/1994 Semple ..... D12/91

D. 350,504 9/1994 Nixon ..... D12/91

D. 360,606 7/1995 Holmes et al. .... D12/91  
D. 362,831 10/1995 Minowa et al. .... D12/91  
D. 365,783 1/1996 Starr et al. .... D12/91

**FOREIGN PATENT DOCUMENTS**

844006 6/1990 Japan .

*Primary Examiner*—Melody N. Brown  
*Attorney, Agent, or Firm*—Nikaido, Marmelstein, Murray &  
Oram LLP

[57] **CLAIM**

The ornamental design for an automobile, as shown and described.

**DESCRIPTION**

FIG. 1 is a left-front perspective view of an automobile showing our new design;  
FIG. 2 is a left-rear perspective view thereof;  
FIG. 3 is a front view thereof;  
FIG. 4 is a rear view thereof;  
FIG. 5 is a left side view thereof;  
FIG. 6 is a right side view thereof; and,  
FIG. 7 is a top view thereof.

**1 Claim, 6 Drawing Sheets**

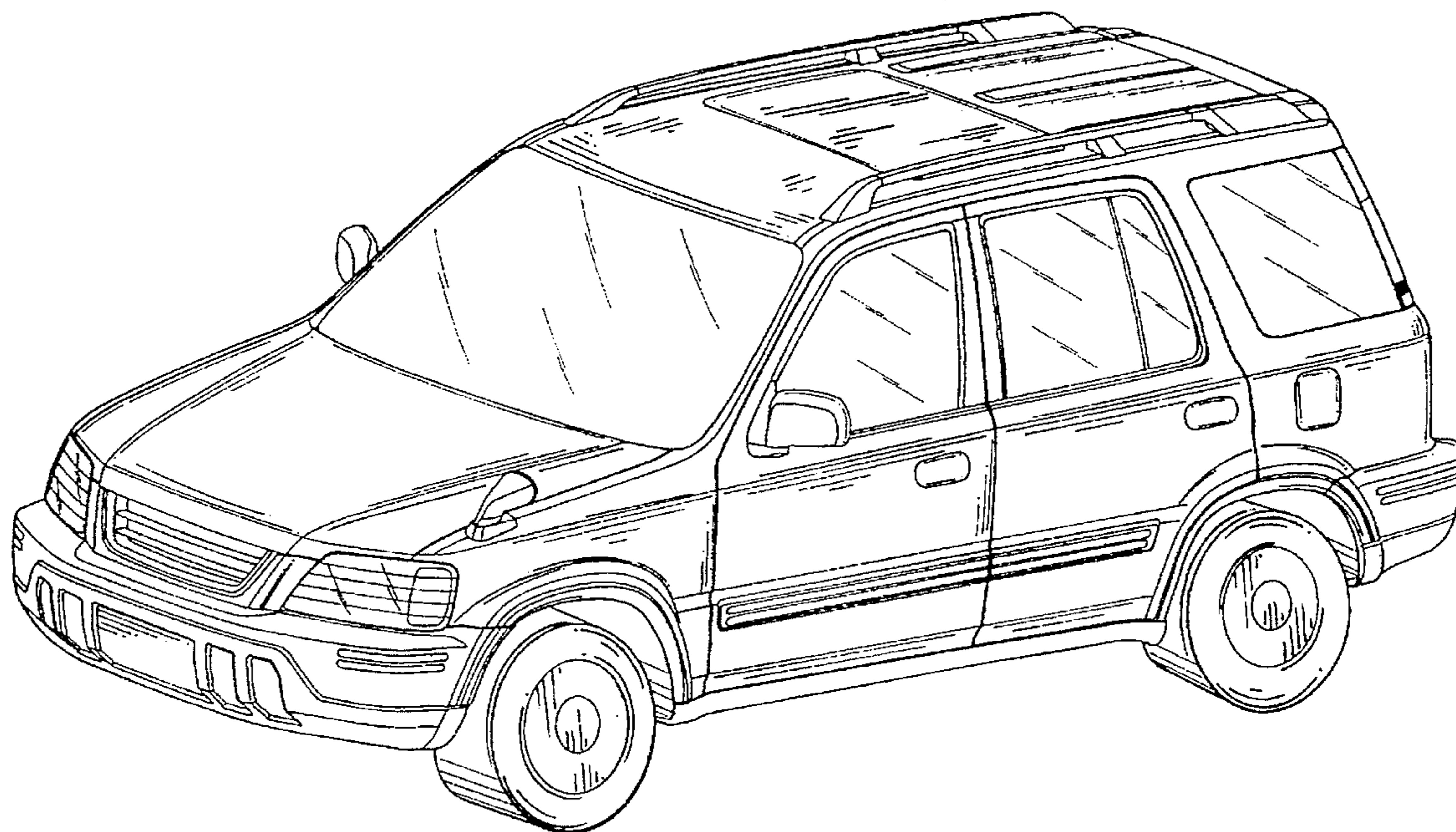


FIG. 1

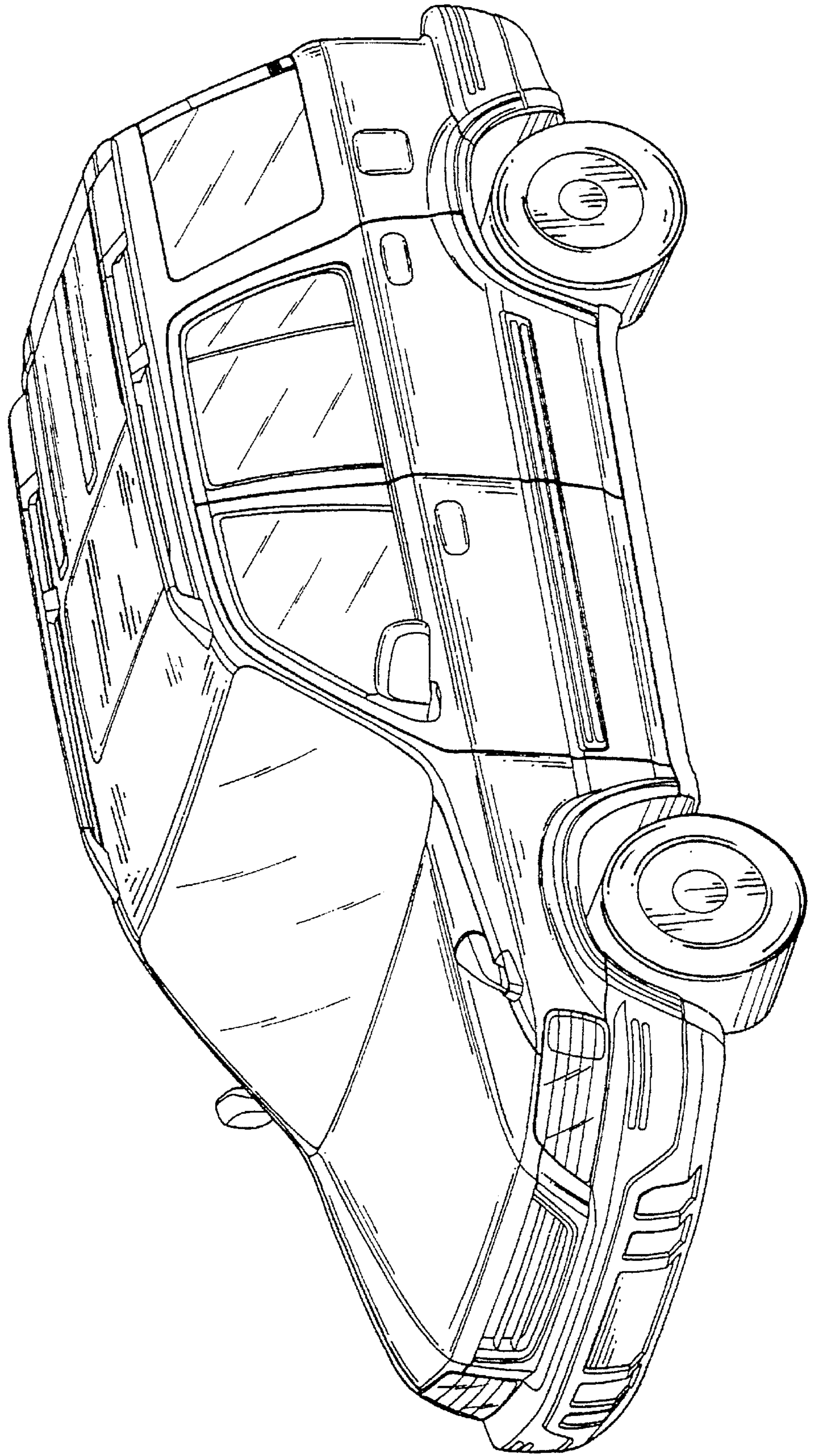


FIG. 2

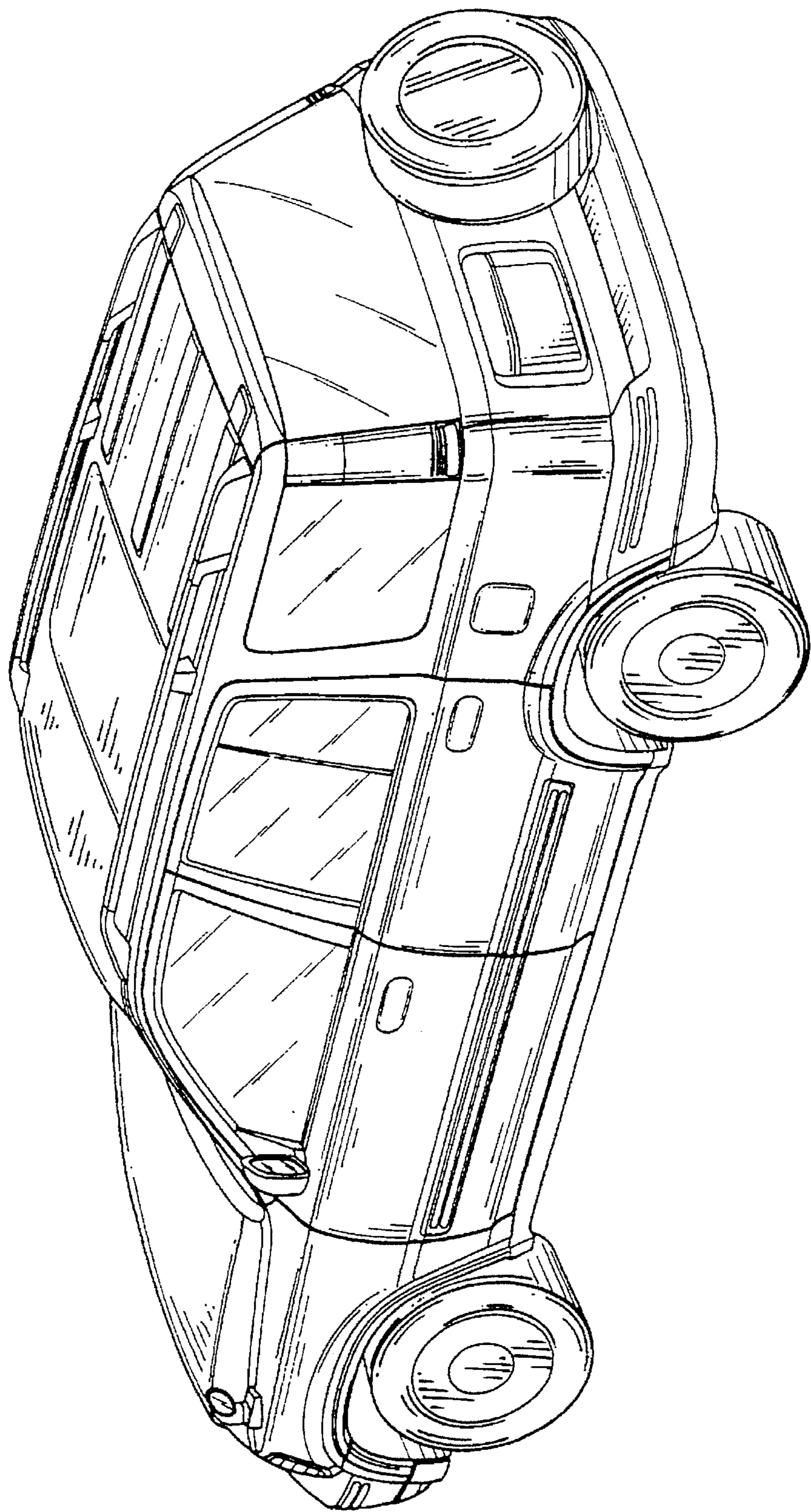


FIG. 4

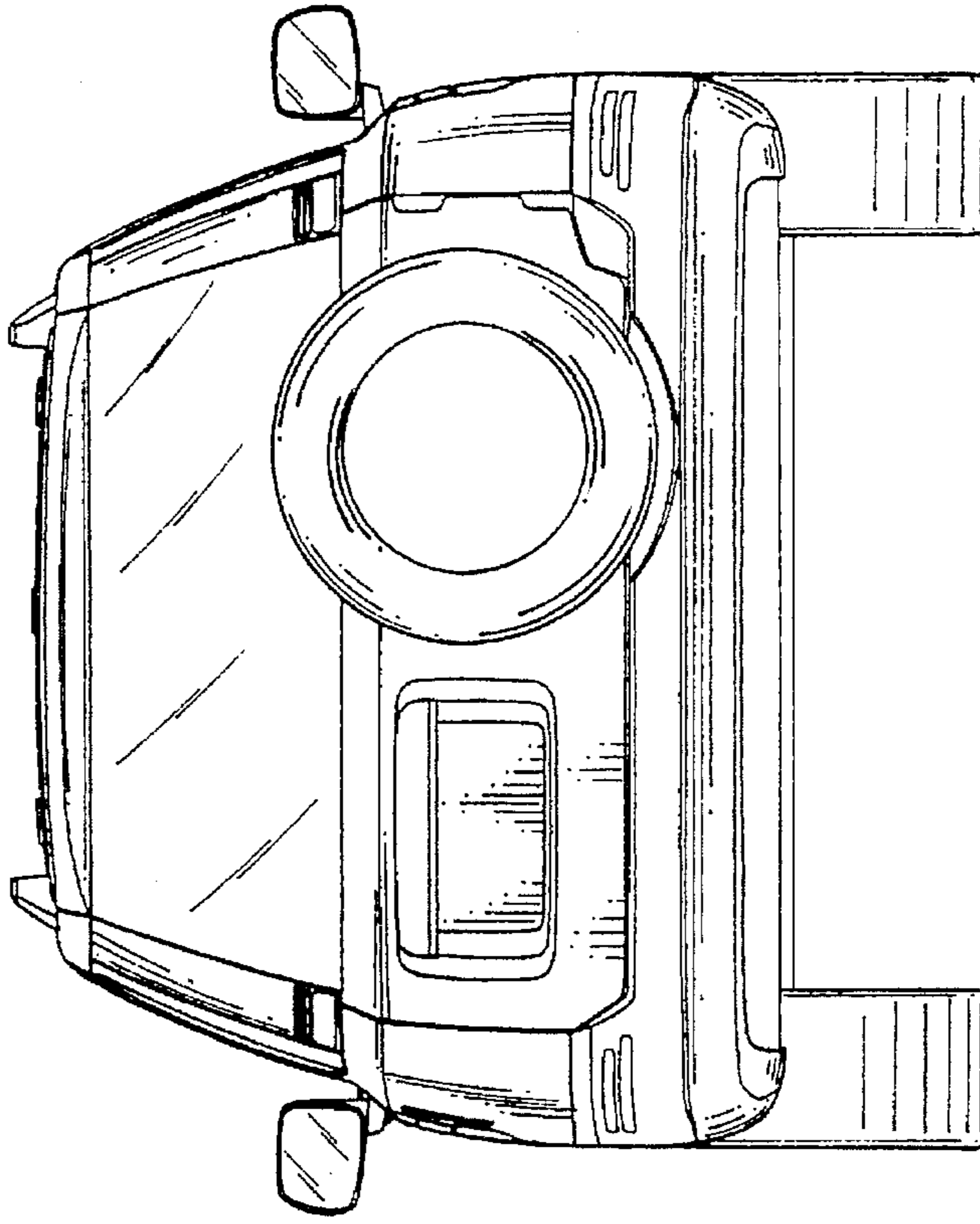


FIG. 3

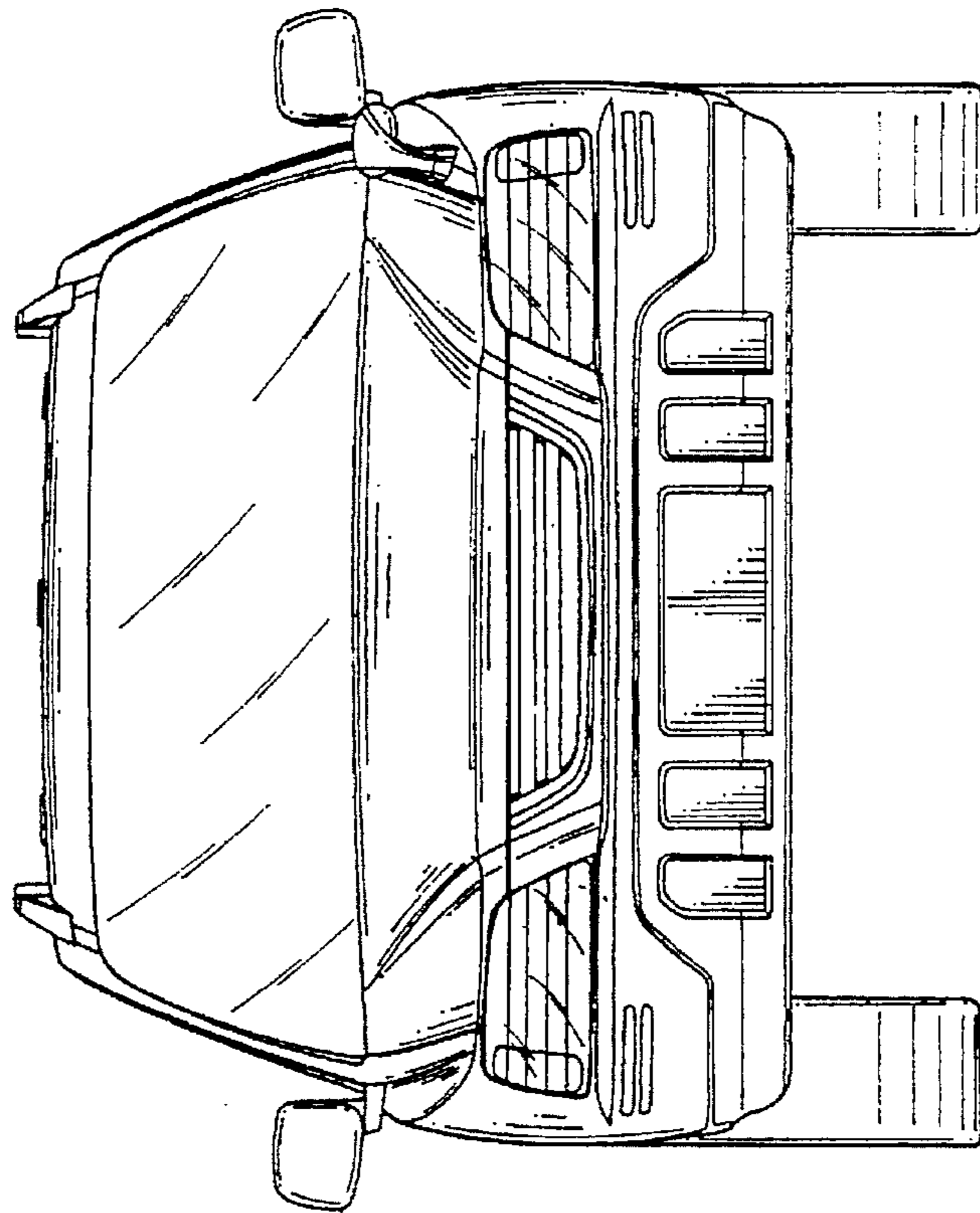


FIG. 5

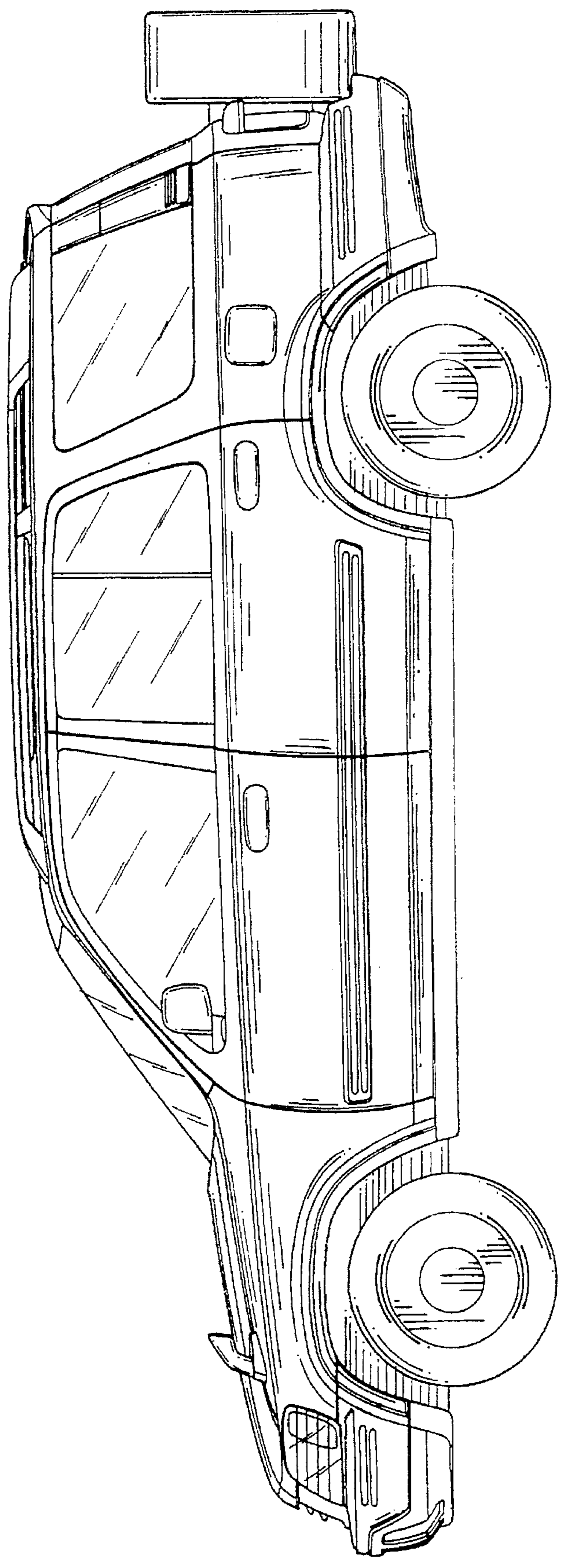
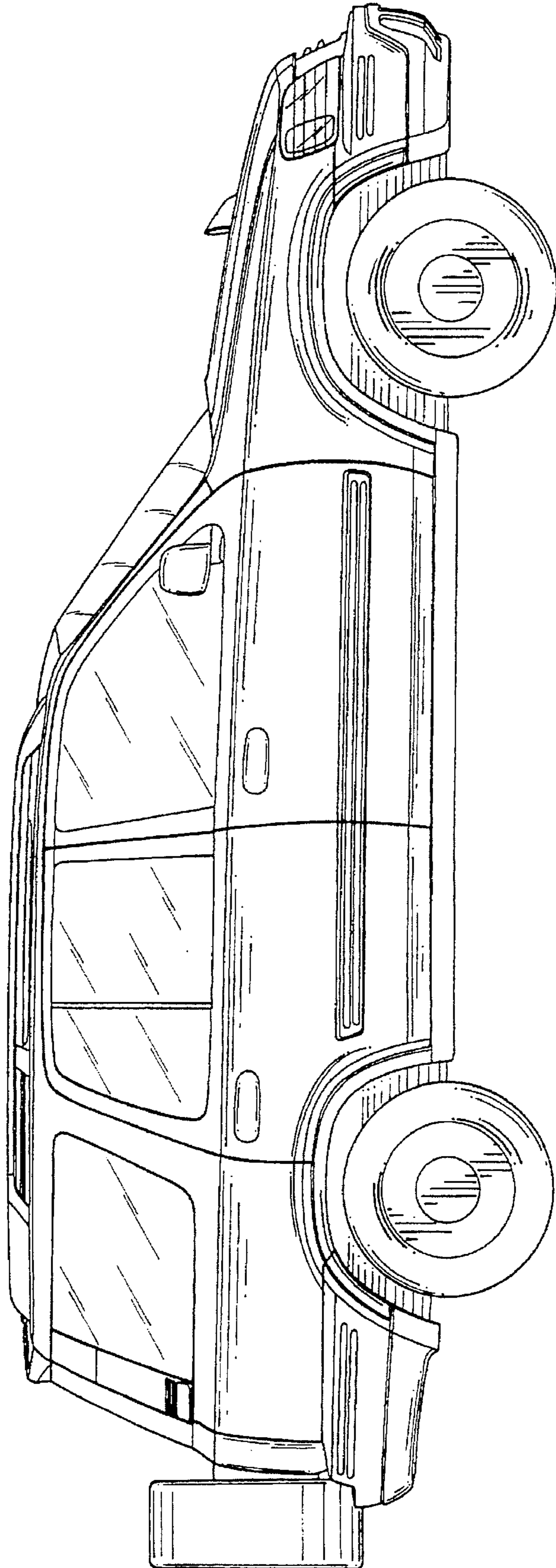


FIG. 6



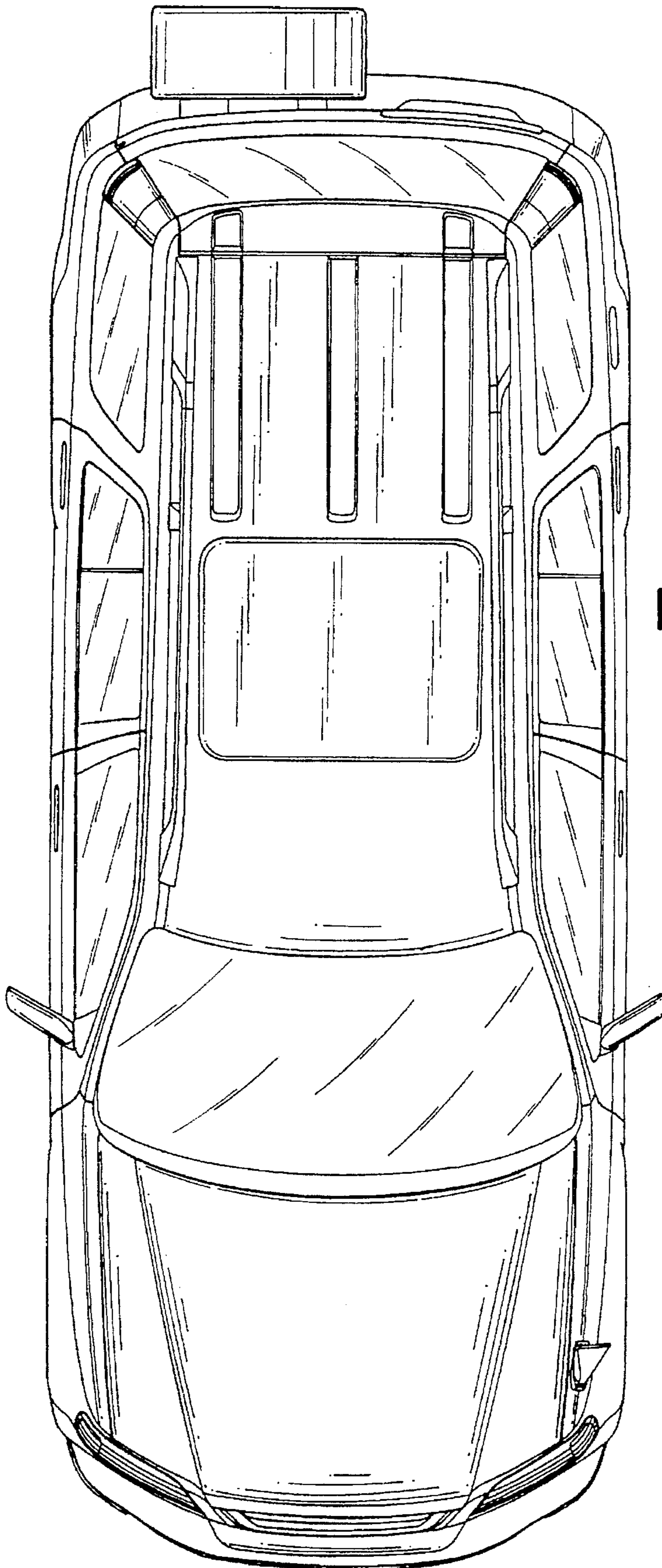


FIG. 7