



US00D379944S

United States Patent [19] Cheng

[11] Patent Number: **Des. 379,944**
[45] Date of Patent: ****Jun. 17, 1997**

[54] **ELECTRIC SCOOTER**
[76] Inventor: **Ming-Chuan Cheng**, No. 9, Industry
Dist., 36 Road, Taichung, Taiwan
[**] Term: **14 Years**
[21] Appl. No.: **32,488**
[22] Filed: **Dec. 20, 1994**
[51] LOC (6) Cl. **12-08**
[52] U.S. Cl. **D12/85; D12/1**
[58] Field of Search **D12/110, 1, 85,**
D12/131; 280/DIG. 5; 180/211, 215, 216,
907, 65.1, 231

D. 322,050 12/1991 Kataoka et al. D12/1
D. 322,051 12/1991 Kataoka et al. D12/1
D. 325,892 5/1992 Nesteruk et al. D12/85

Primary Examiner—Melody N. Brown
Attorney, Agent, or Firm—Bacon & Thomas

[57] CLAIM

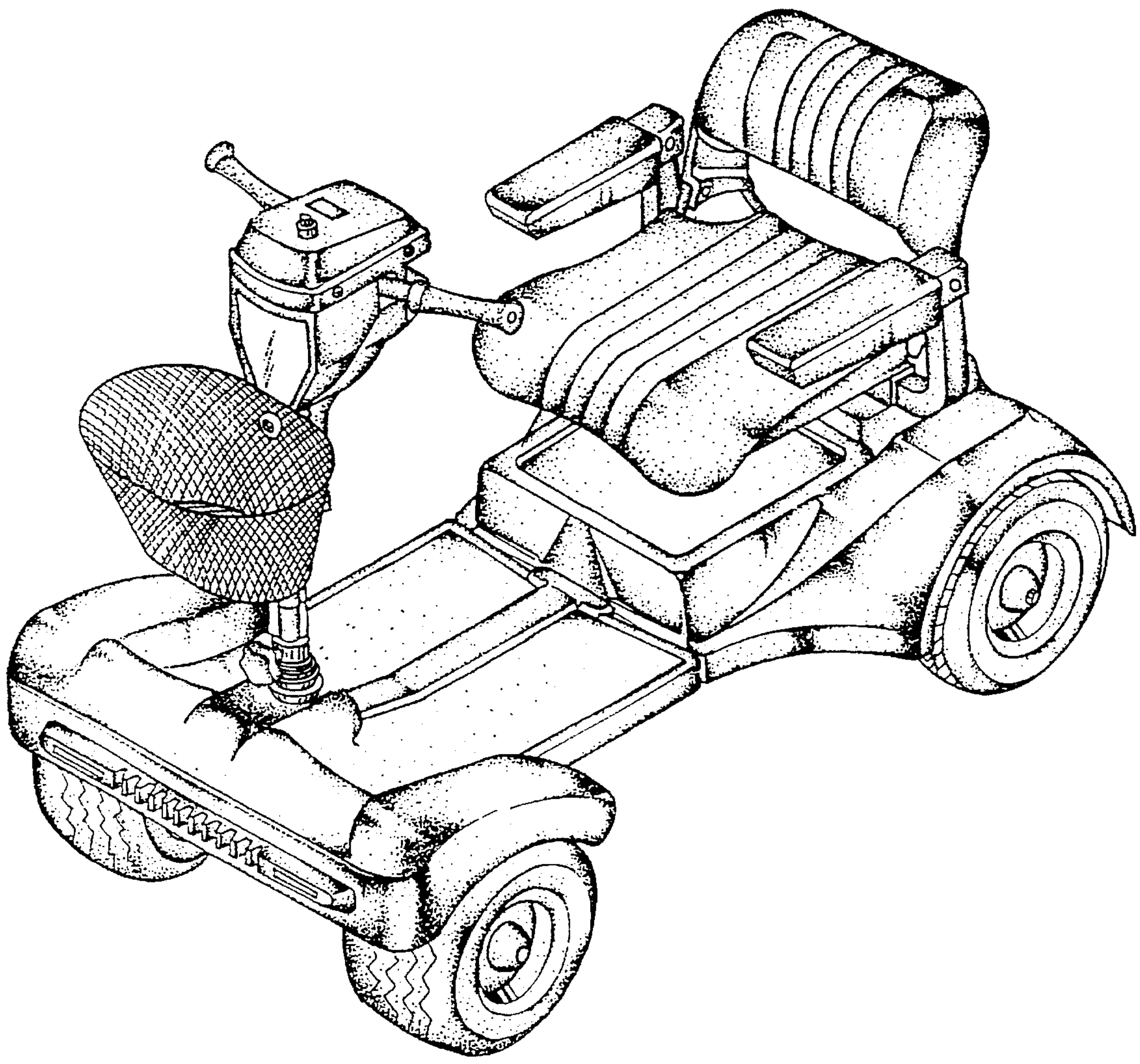
The ornamental design for electric scooter, as shown and described.

DESCRIPTION

FIG. 1 is a left front perspective view of electric scooter showing my new design;
FIG. 2 is a front elevational view thereof;
FIG. 3 is a rear elevational view thereof;
FIG. 4 is a left side elevational view thereof;
FIG. 5 is a right side elevational view thereof;
FIG. 6 is a top plan view thereof; and,
FIG. 7 is a bottom plan view thereof.

[56] **References Cited**
U.S. PATENT DOCUMENTS
D. 303,101 8/1989 Shepard et al. D12/131
D. 321,678 11/1991 Blount et al. D12/131
D. 322,049 12/1991 Doman et al. D12/85

1 Claim, 7 Drawing Sheets



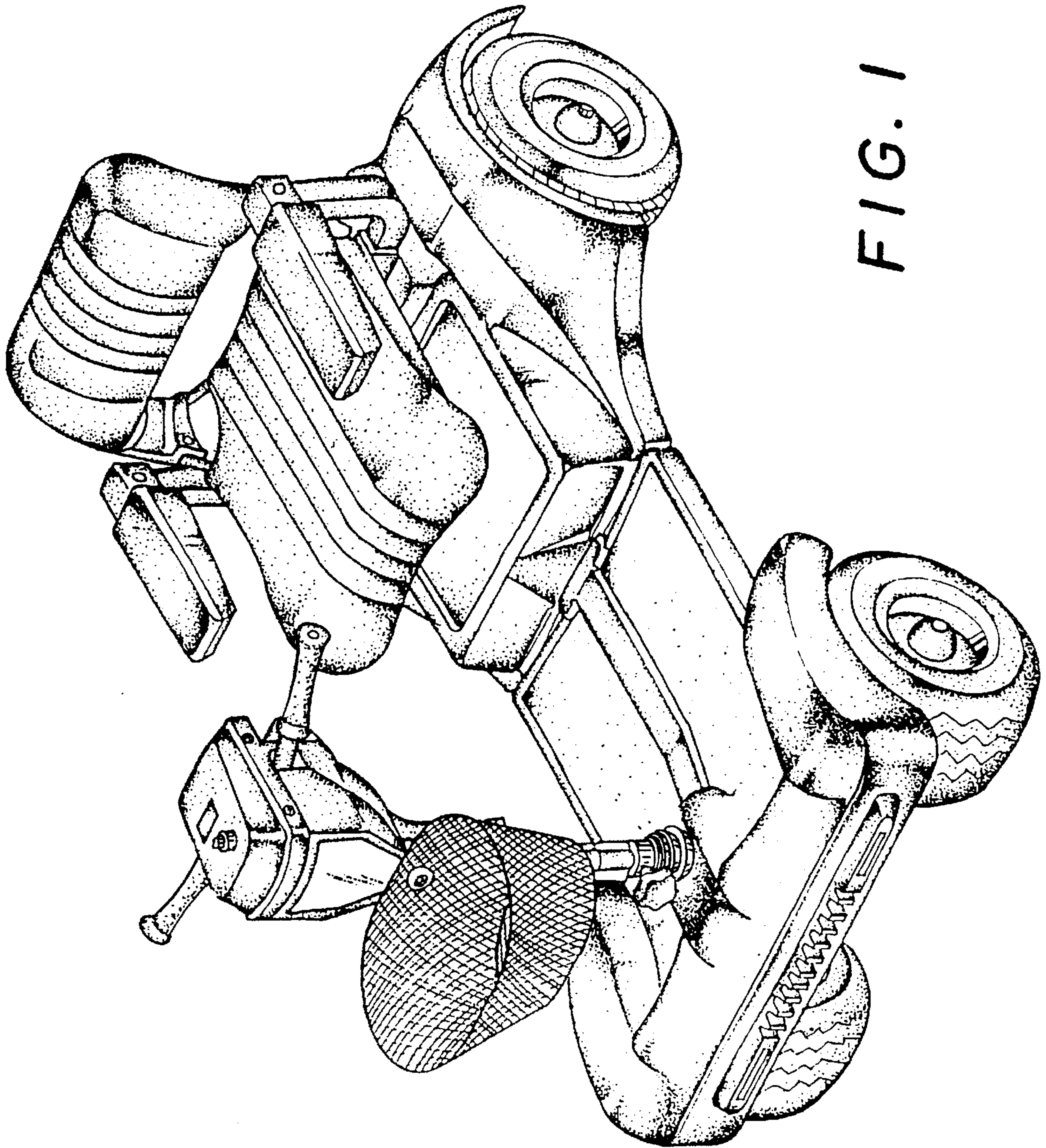


FIG. 1

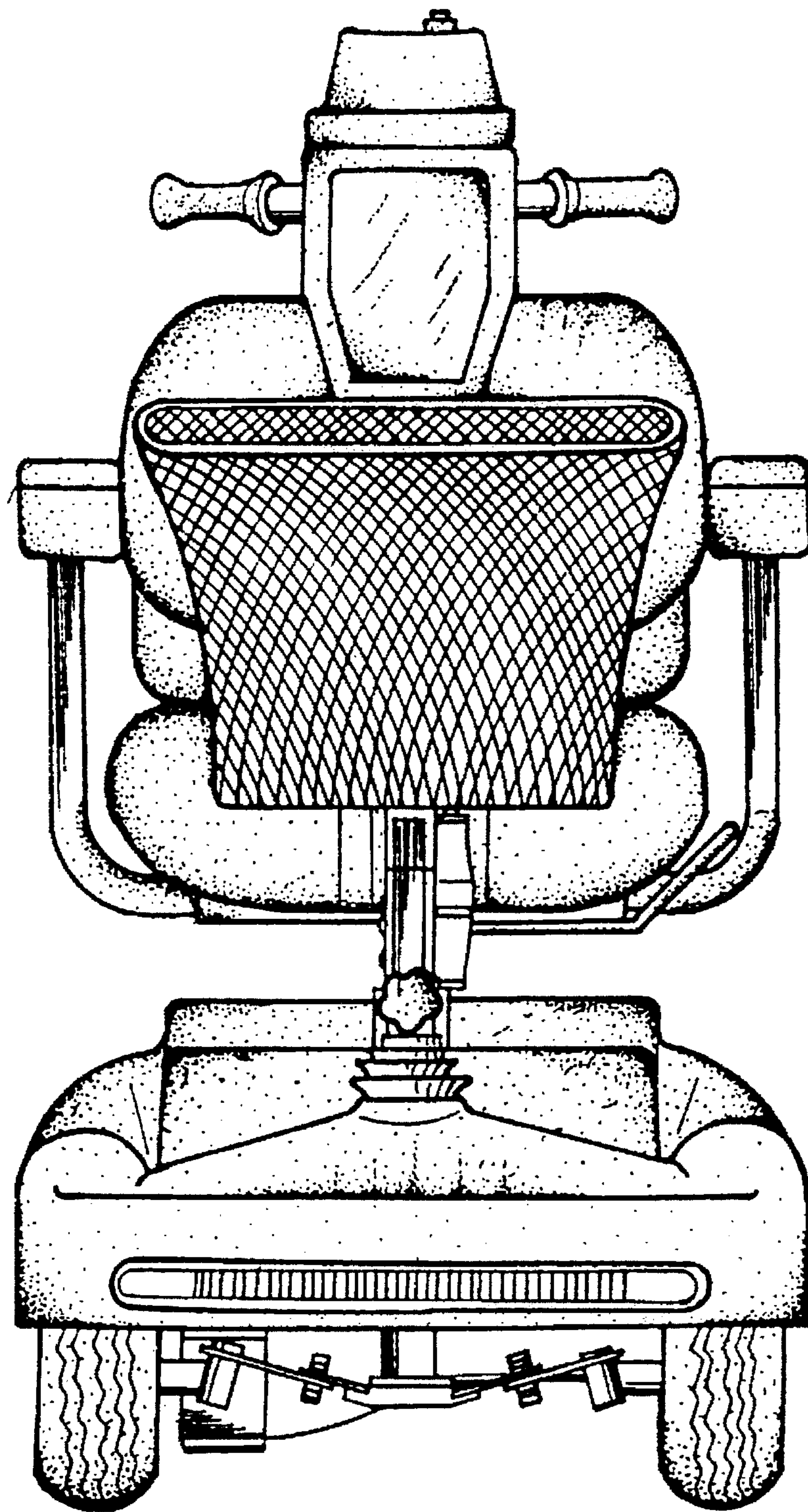


FIG. 2

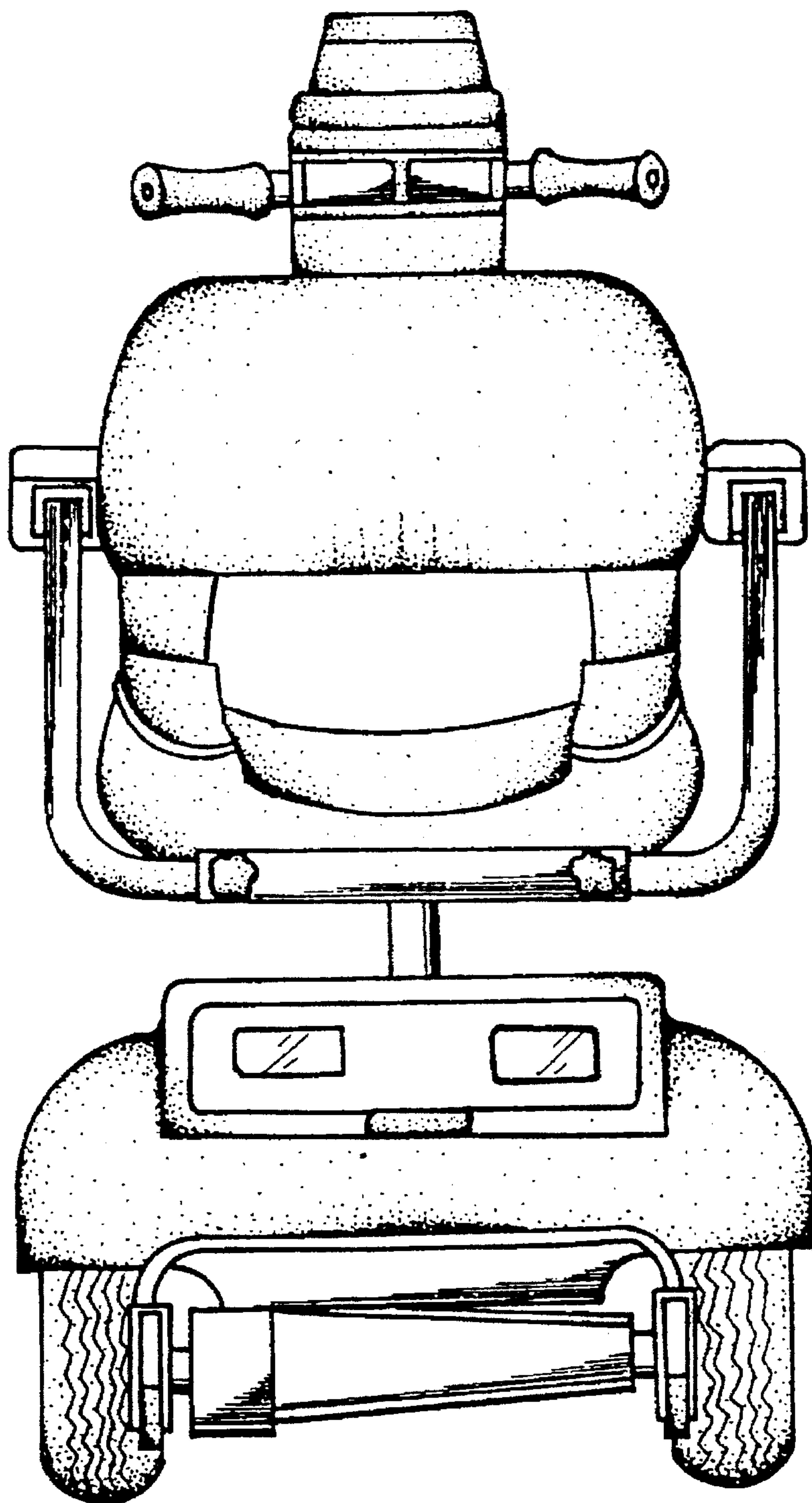


FIG. 3

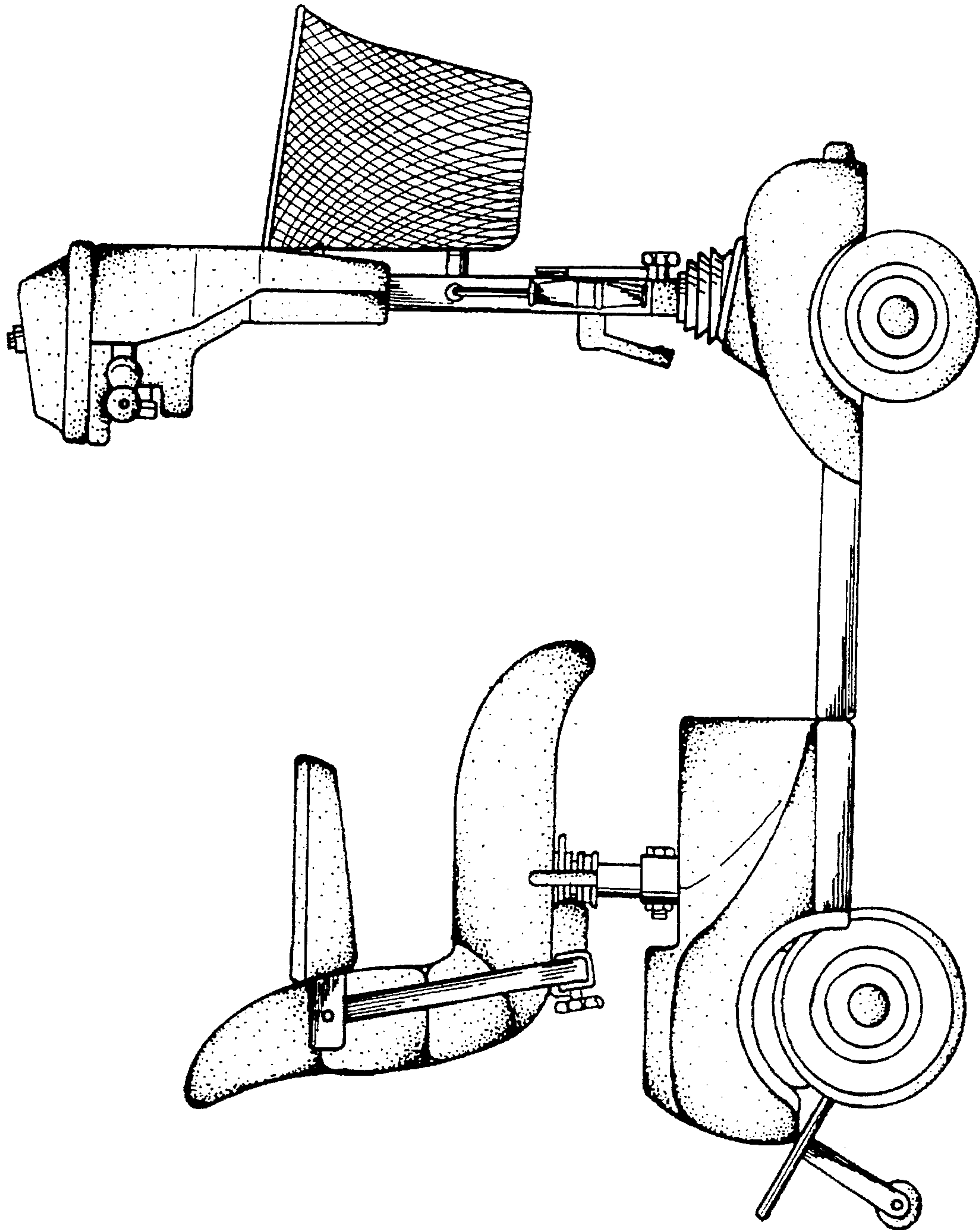


FIG. 4

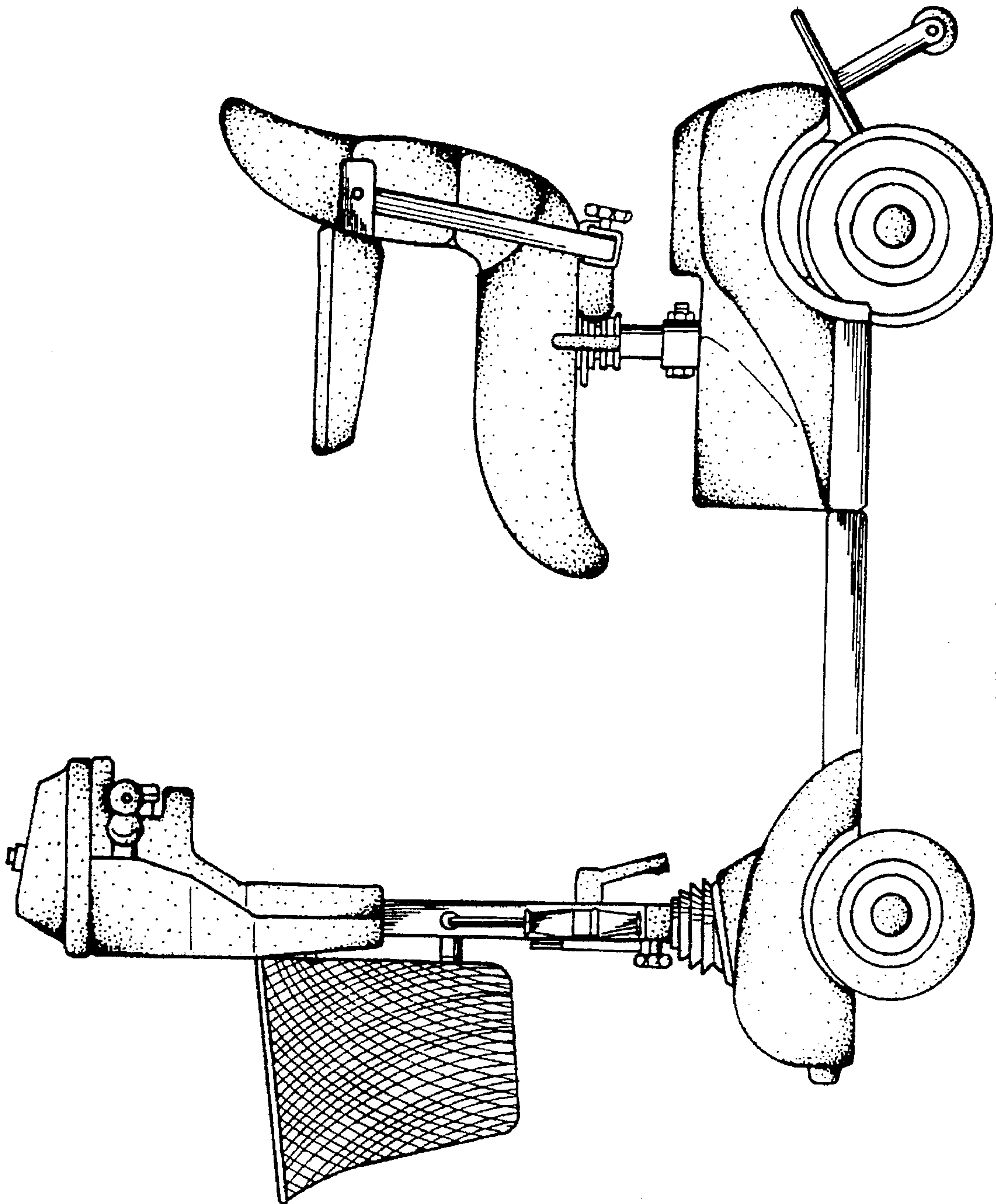


FIG. 5

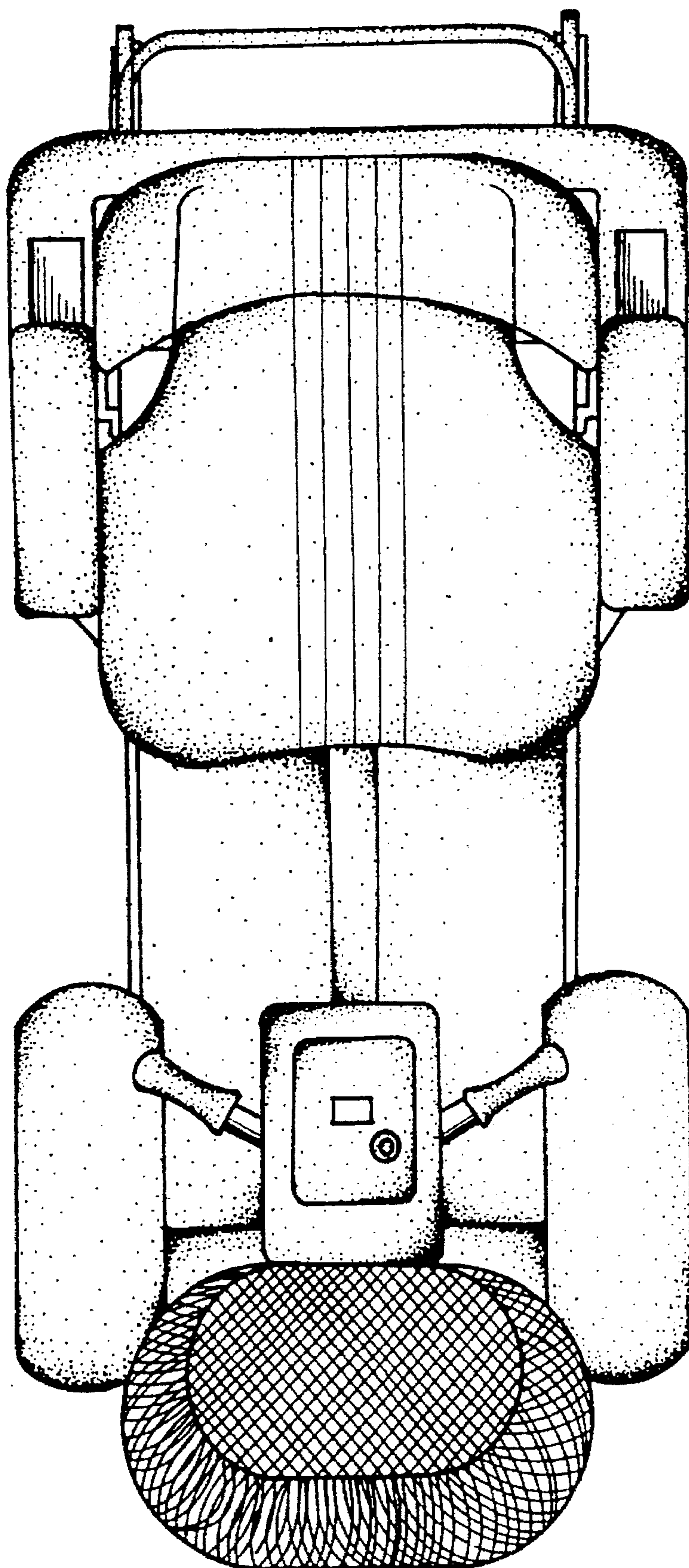


FIG. 6

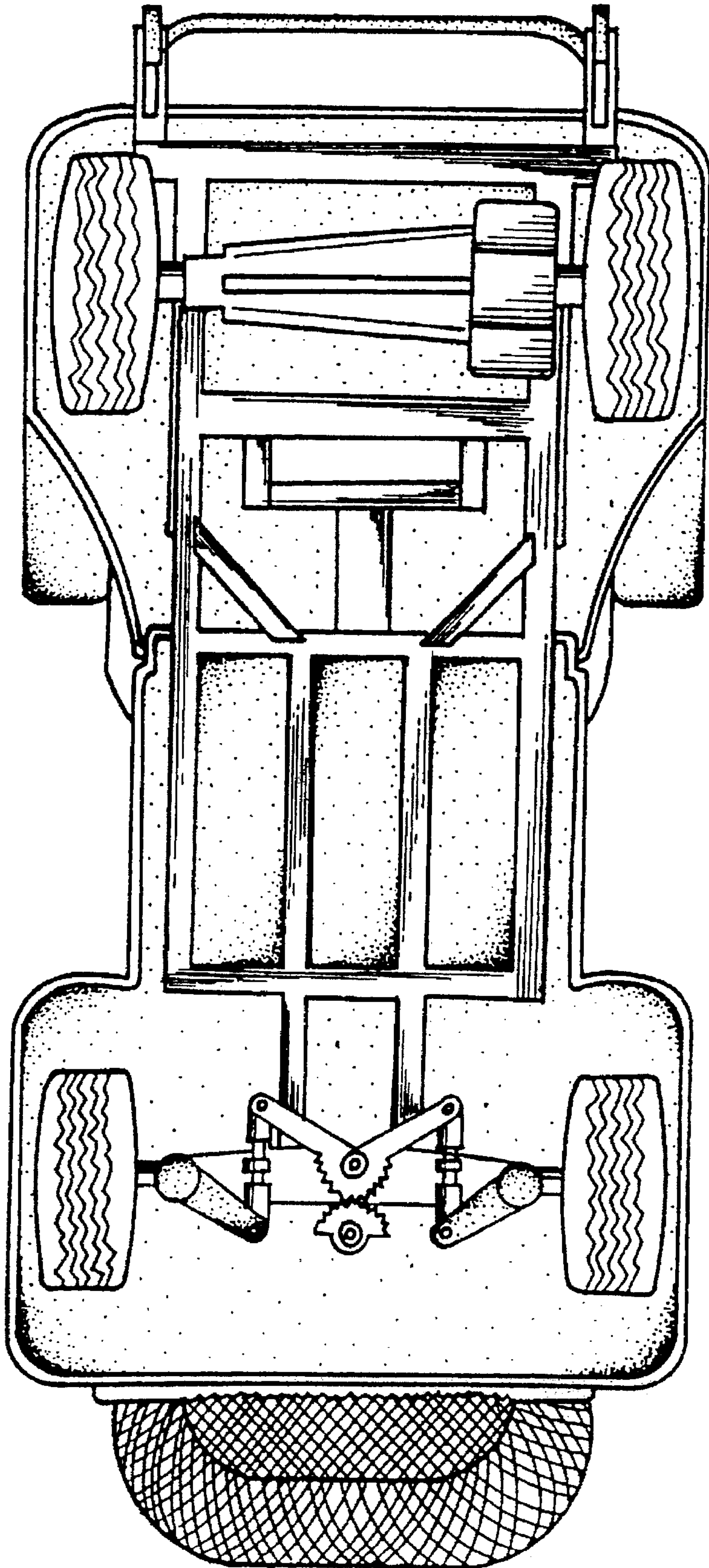


FIG. 7