



US00D379941S

United States Patent [19]
Scott

[11] **Patent Number: Des. 379,941**
[45] **Date of Patent: **Jun. 17, 1997**

[54] **ORNAMENTAL TREE**

1,577,207 3/1926 Dréperink-Langereis 428/8
1,881,423 10/1932 Tavreau 428/7

[76] **Inventor: Robert S. Scott, 102 McMahon Dr.,
Manor, Pa. 15665**

Primary Examiner—Dominic Simone
Attorney, Agent, or Firm—Carothers & Carothers

[**] **Term: 14 Years**

[57] **CLAIM**

[21] **Appl. No.: 51,150**

The ornamental design for an ornamental tree, as shown and described.

[22] **Filed: Mar. 4, 1996**

DESCRIPTION

[51] **LOC (6) Cl. 11-05**

FIG. 1 is a perspective view of an ornamental tree, showing my new design;

[52] **U.S. Cl. D11/118; D11/121; D26/13**

FIG. 2 is an exploded perspective view of the ornamental tree shown in FIG. 1;

[58] **Field of Search D11/117, 118,
D11/121; D26/13, 19; 428/7-9, 18, 19,
20**

FIG. 3 is a front elevational view of the ornamental tree shown in FIG. 1;

[56] **References Cited**

FIG. 4 is a plan view of the ornamental tree shown in FIG. 1; and,

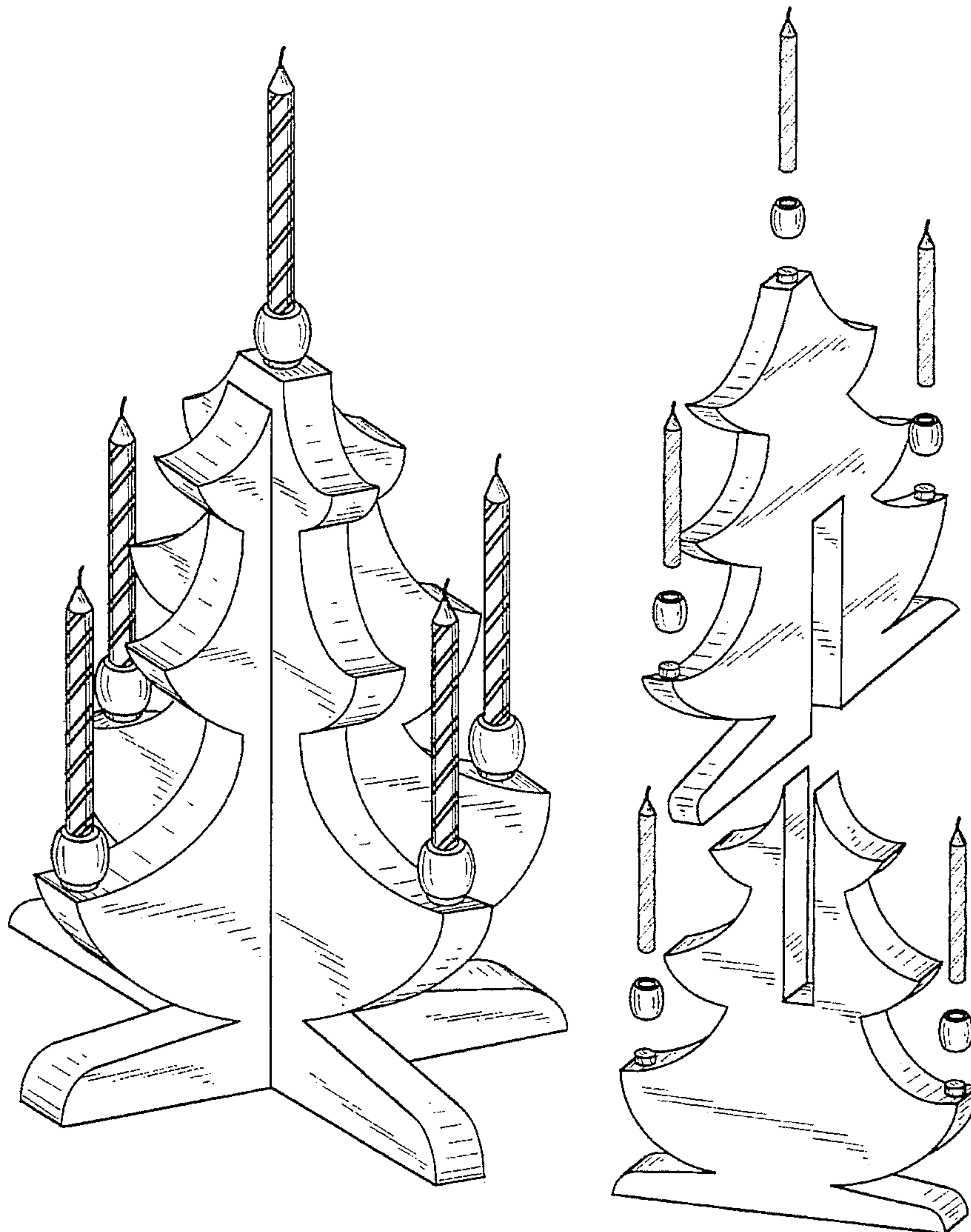
U.S. PATENT DOCUMENTS

FIG. 5 is a bottom view of the ornamental tree shown in FIG. 1.

- D. 065,109 7/1924 Dieperisk-Langereis D11/118
- D. 085,200 9/1931 Packerman D11/118
- D. 128,639 8/1941 Mitsche D11/118
- D. 166,135 3/1952 Stark D11/118

The ornamental tree as shown and described is symmetrical when viewed in its assembled form.

1 Claim, 4 Drawing Sheets



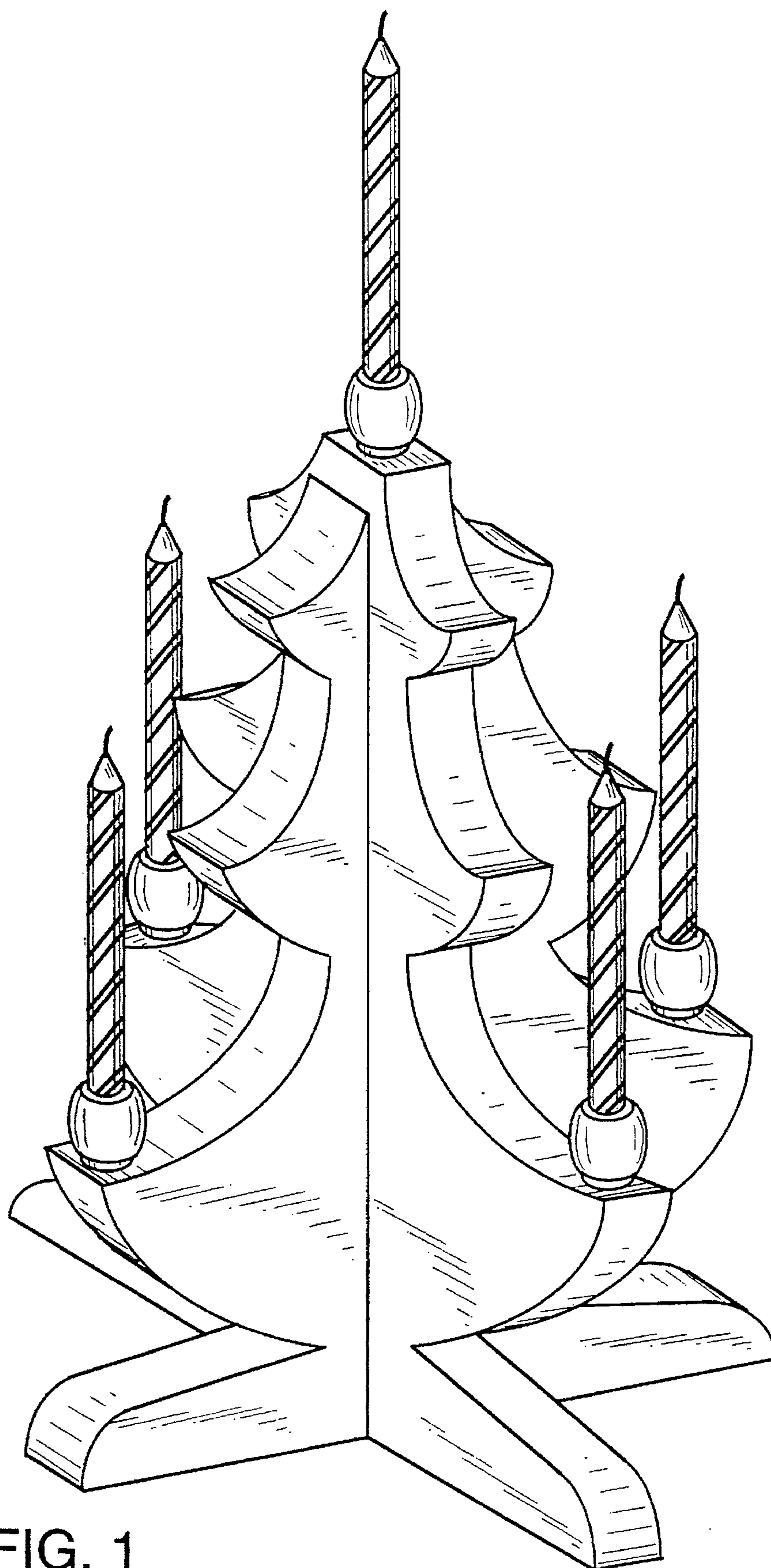
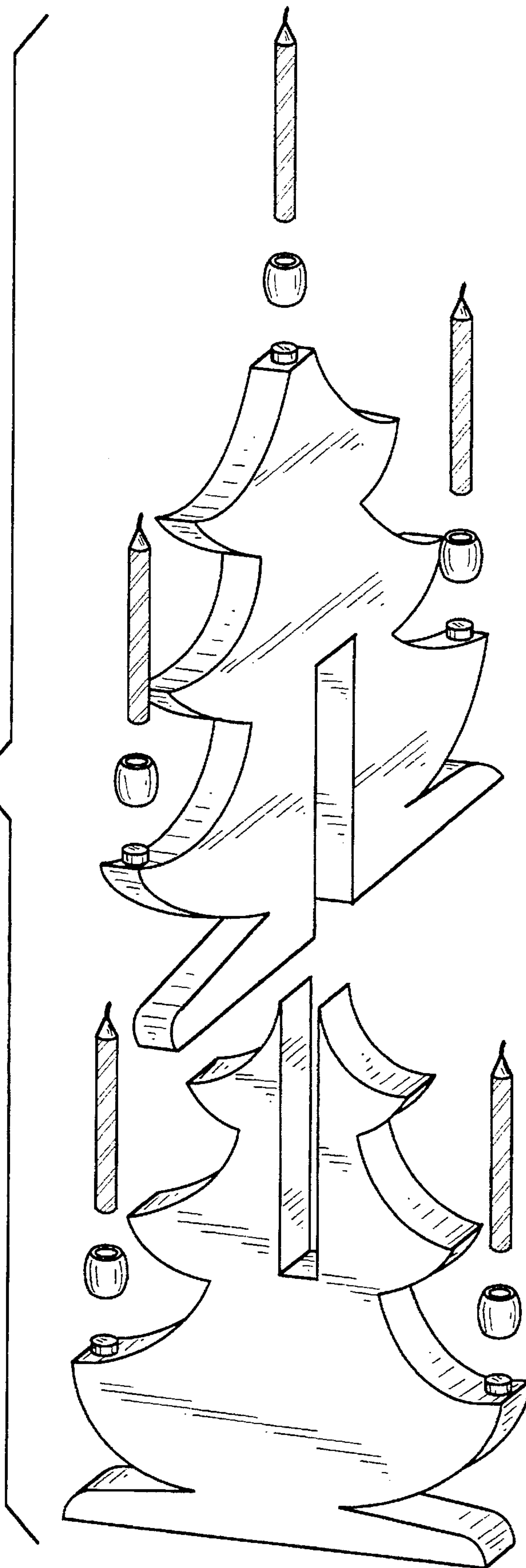


FIG. 1

FIG. 2



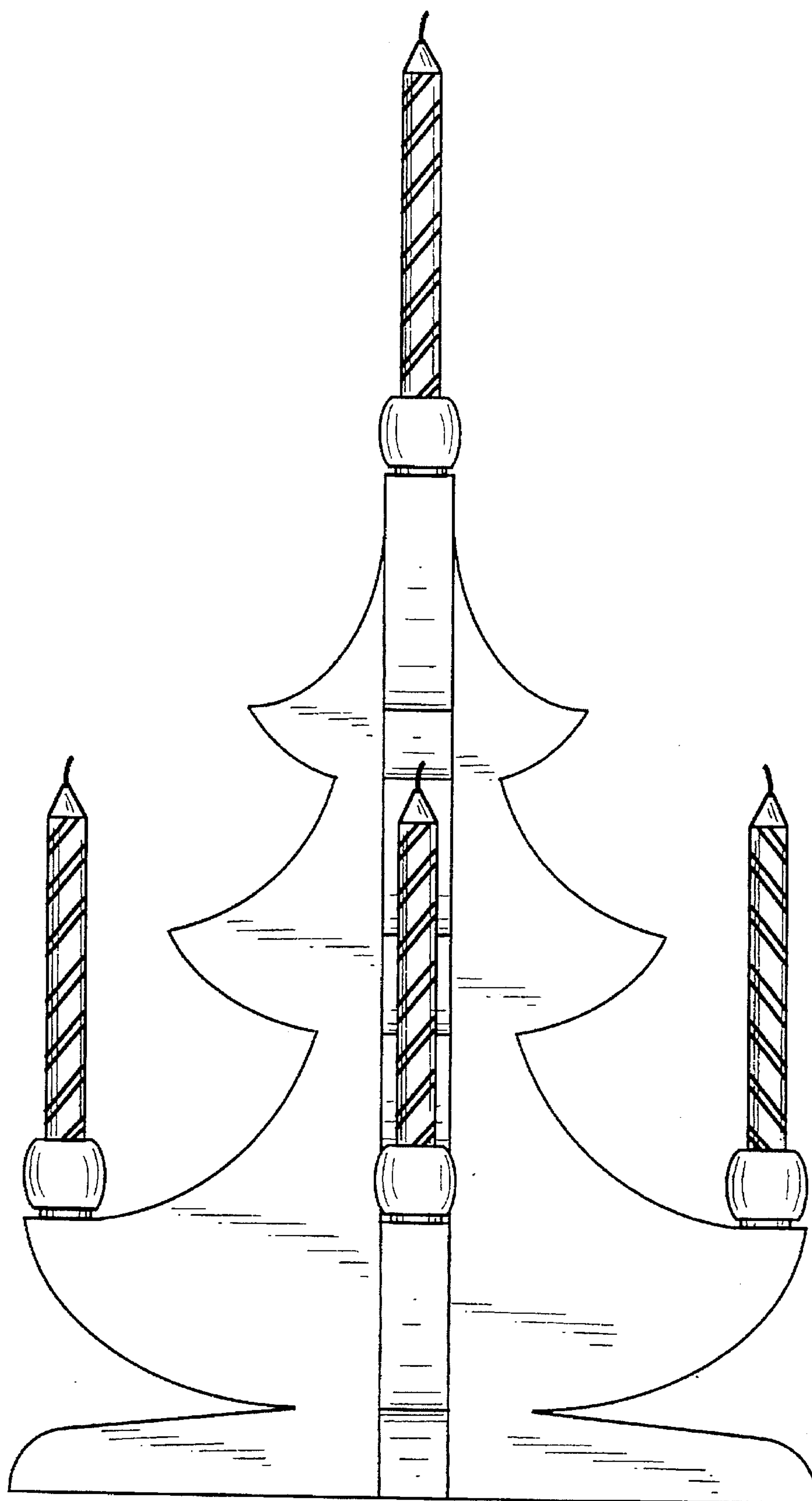


FIG. 3

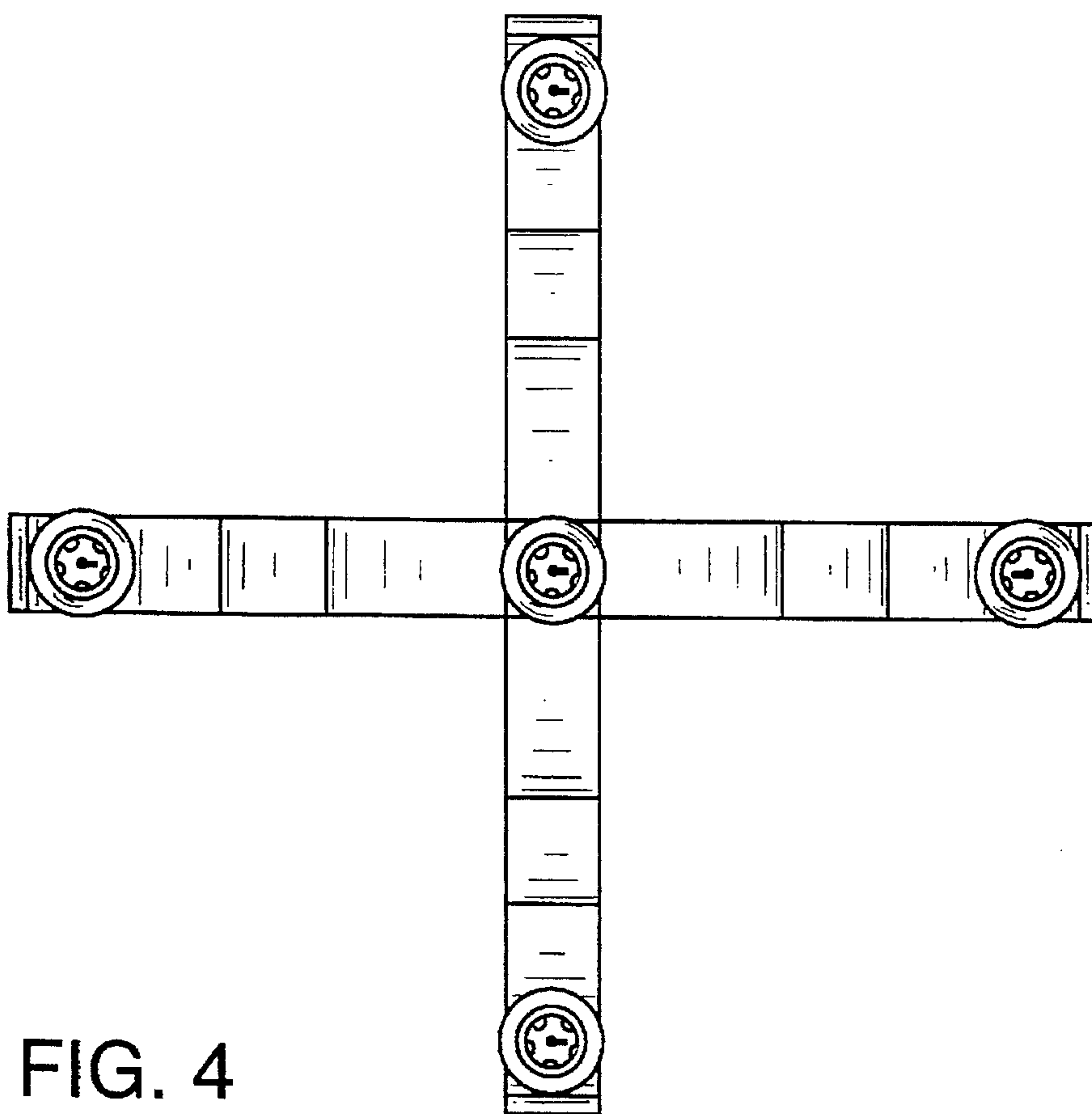


FIG. 4

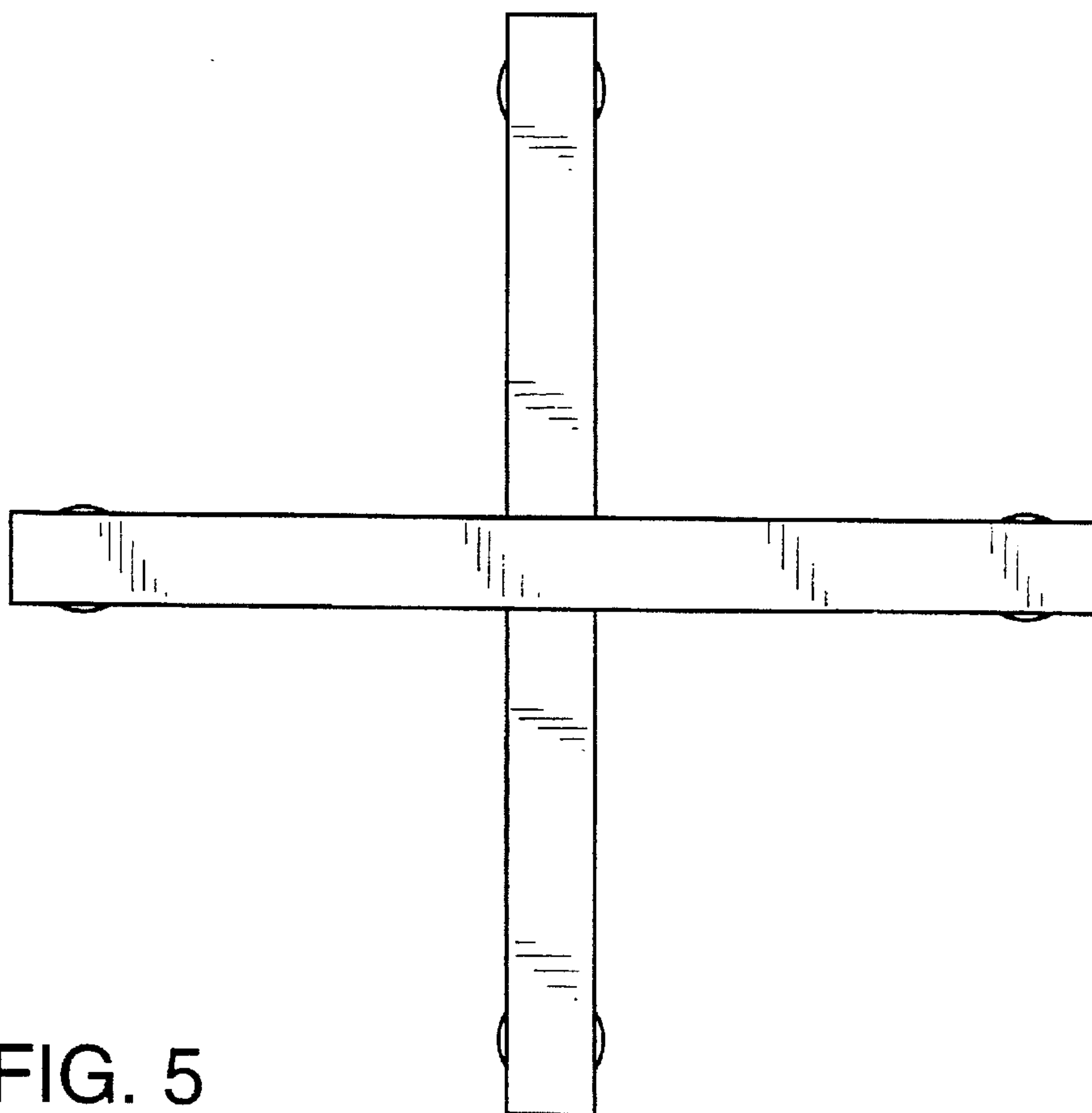


FIG. 5