



US00D379939S

United States Patent [19]

Hurtak et al.

[11] Patent Number: **Des. 379,939**

[45] Date of Patent: ****Jun. 17, 1997**

[54] **PORTABLE STROBE LIGHT**

[76] Inventors: **George Richard Hurtak; Marilyn T. Hurtak**, both of P.O. Box 158, Coleman, Alberta, Canada, T0K 0M0

[**] Term: **14 Years**

[21] Appl. No.: **49,264**

[22] Filed: **Jan. 22, 1996**

[51] LOC (6) Cl. **10-05**

[52] U.S. Cl. **D10/114**

[58] Field of Search D10/104, 109, D10/114; 362/163, 164, 170, 171, 172, 176, 177, 178, 180, 181, 182, 188, 189, 190, 191, 192, 198, 200-208; D26/37-50

[56] **References Cited**

U.S. PATENT DOCUMENTS

D. 214,706	7/1969	Kauffman	D10/114
D. 239,517	4/1976	Zowndes	D10/114
D. 274,561	7/1984	Stansbury, Jr. et al.	D26/49
D. 297,170	8/1988	Elliott	D10/114
D. 316,153	4/1991	Lyons	D26/28

D. 336,689	6/1993	Hung	D10/114
D. 349,256	8/1994	Bellinger et al.	D10/114
D. 349,968	8/1994	Elliott	D10/114
D. 355,270	2/1995	Spencer	D10/114
D. 355,864	2/1995	Zanty	D10/114
5,213,411	5/1993	Haus et al.	362/368
5,347,259	9/1994	Jongewaard	340/331

Primary Examiner—Marcus A. Jackson
Attorney, Agent, or Firm—John D. Gugliotta

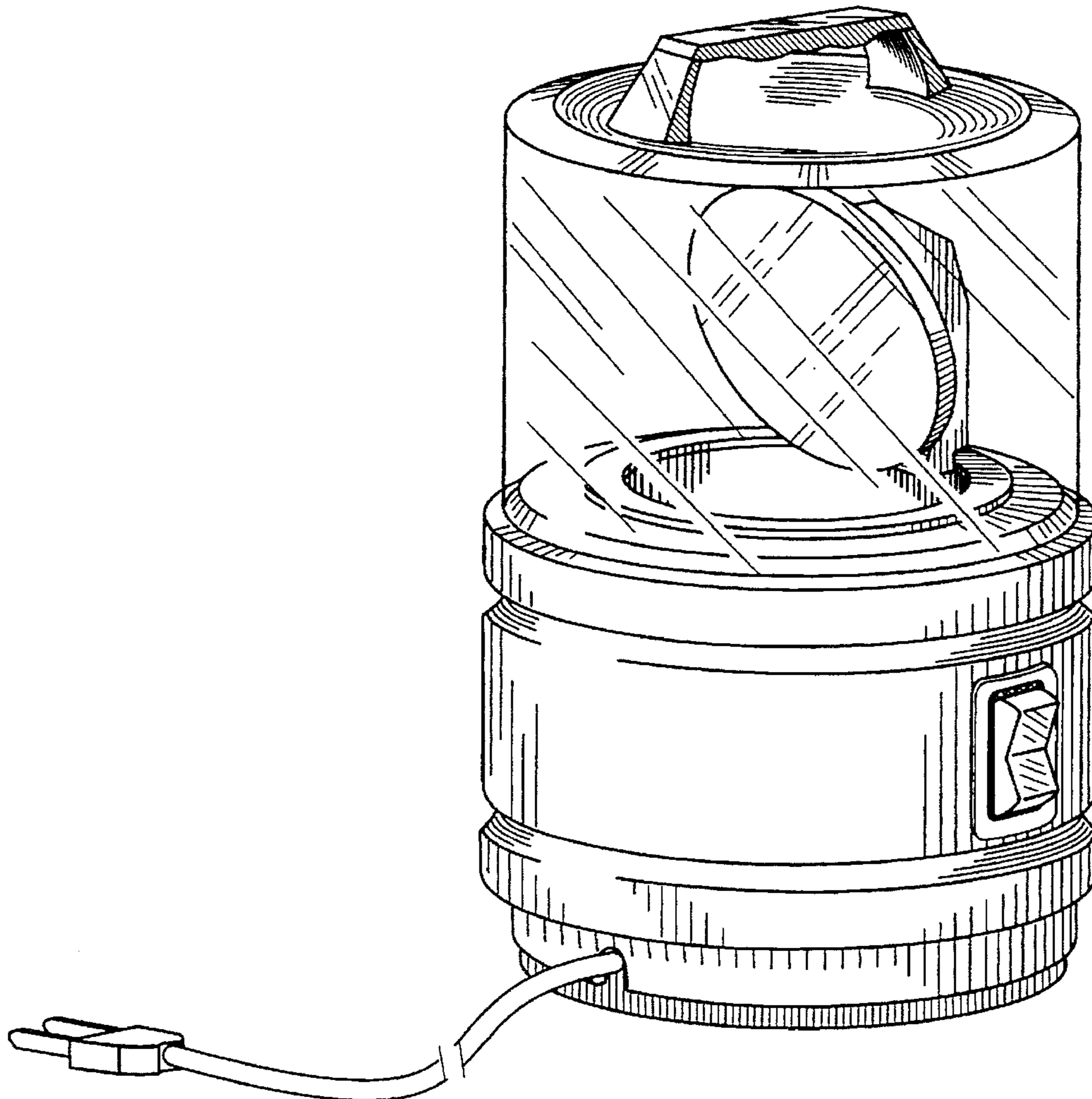
[57] **CLAIM**

The ornamental design for a portable strobe light, as shown and described.

DESCRIPTION

FIG. 1 is front perspective view of a portable strobe light showing my new design, with the cord broken away in the center to indicate indeterminate length; FIG. 2 is a front elevational view thereof; FIG. 3 is a rear elevational view thereof; FIG. 4 is a left side elevational view thereof, the opposite side being a mirror image; FIG. 5 is a top plan view thereof; and, FIG. 6 is a bottom plan view thereof.

1 Claim, 4 Drawing Sheets



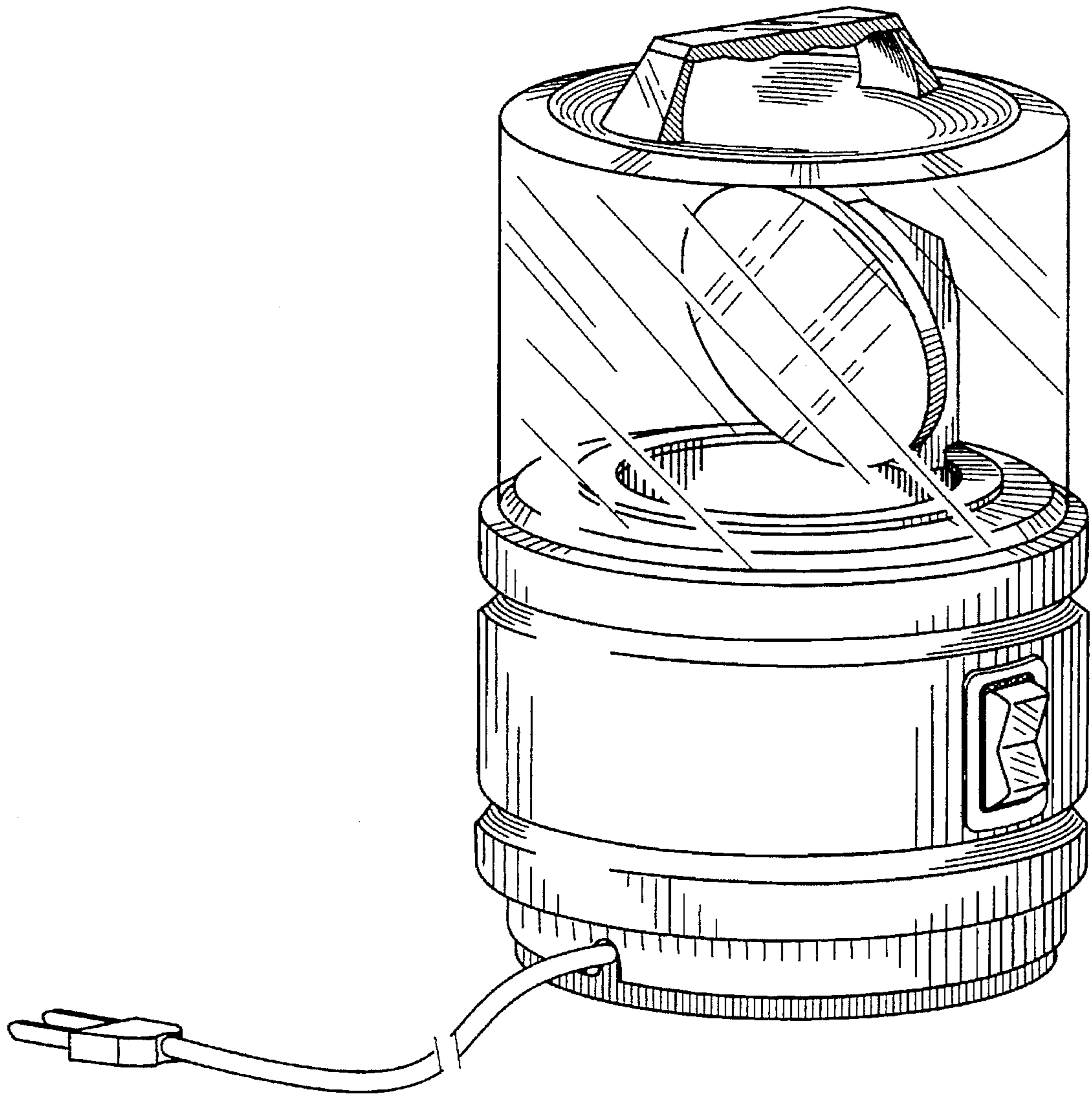


FIG. 1

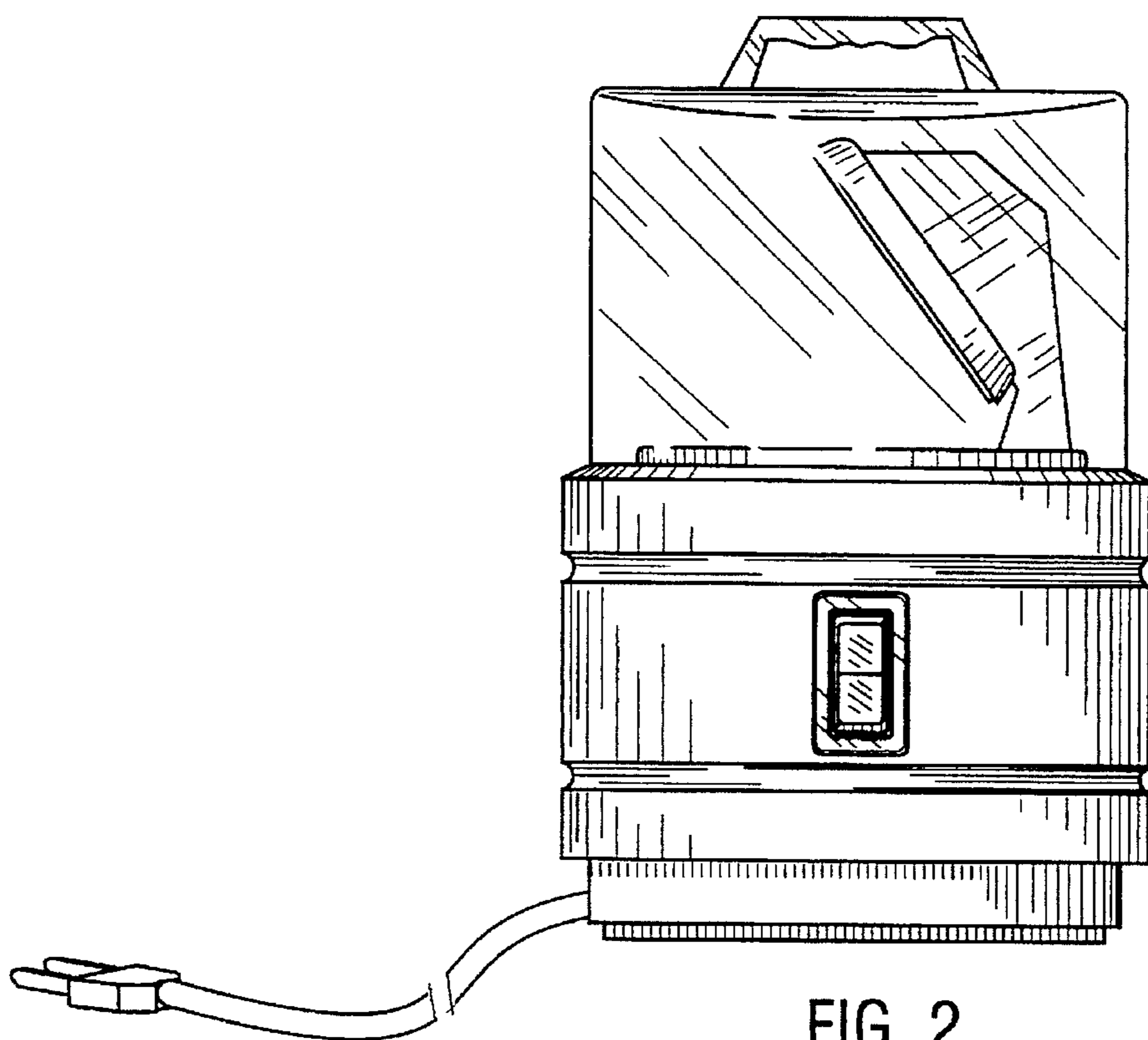


FIG. 2

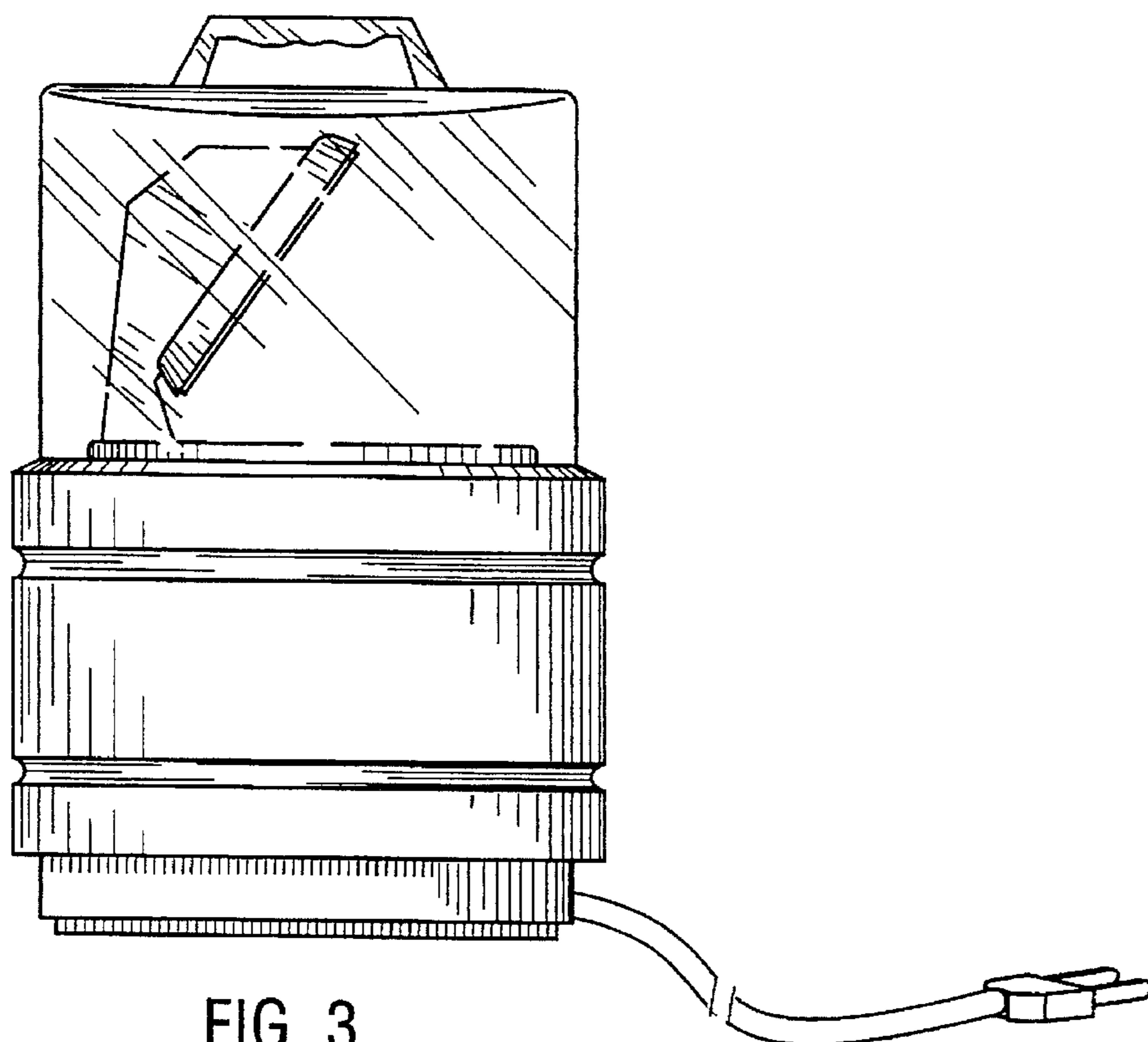


FIG. 3

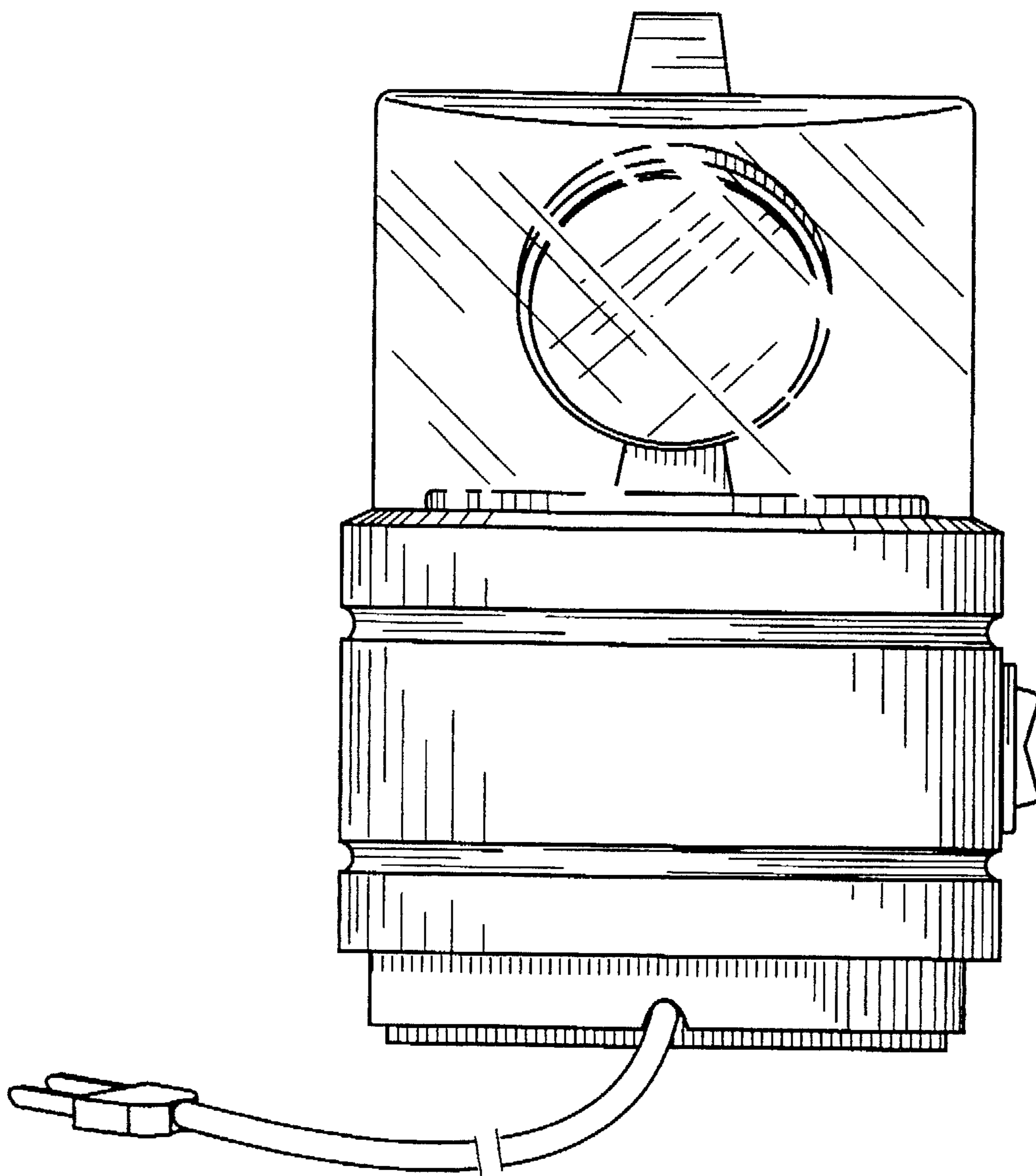


FIG. 4

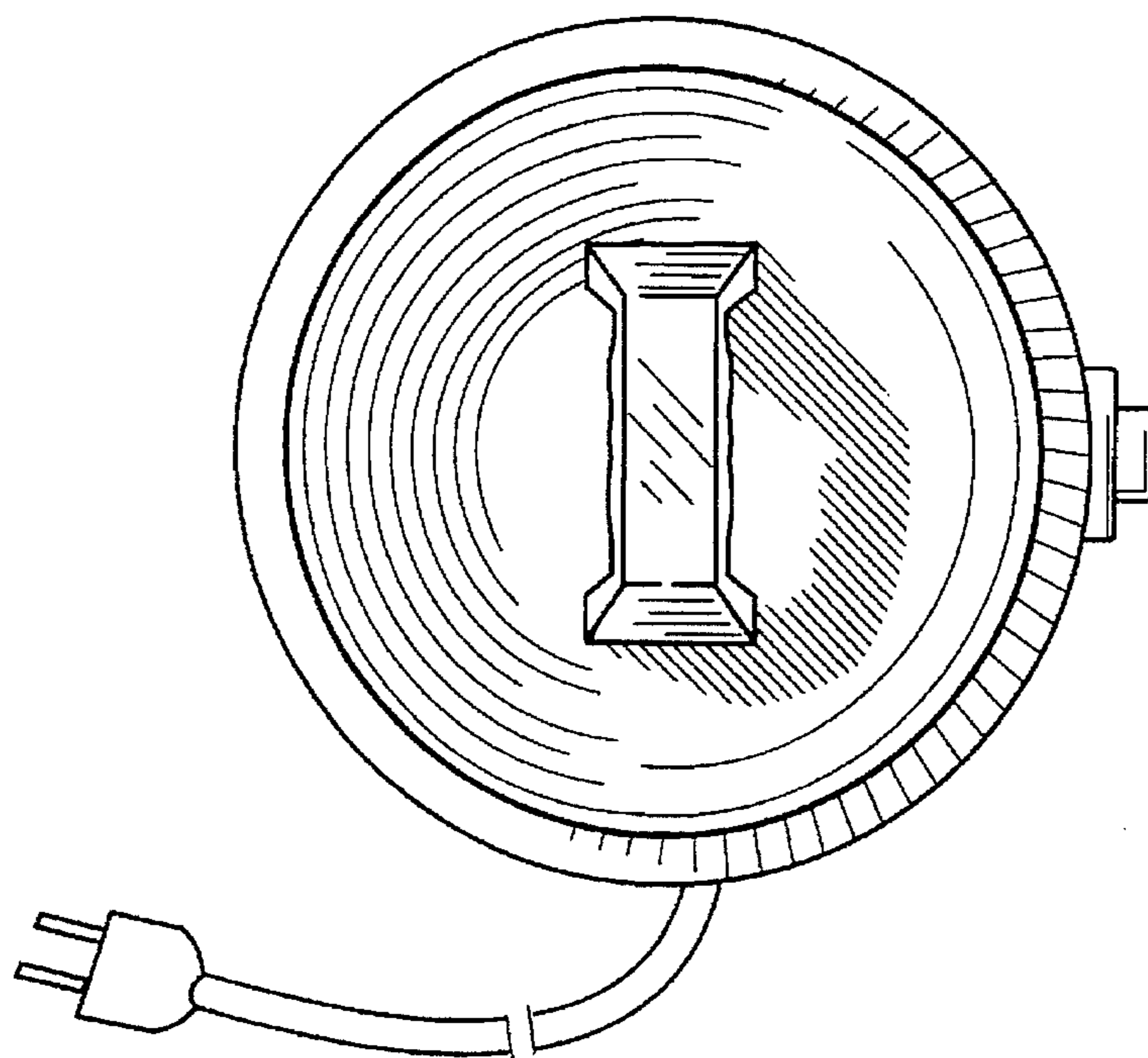


FIG. 5

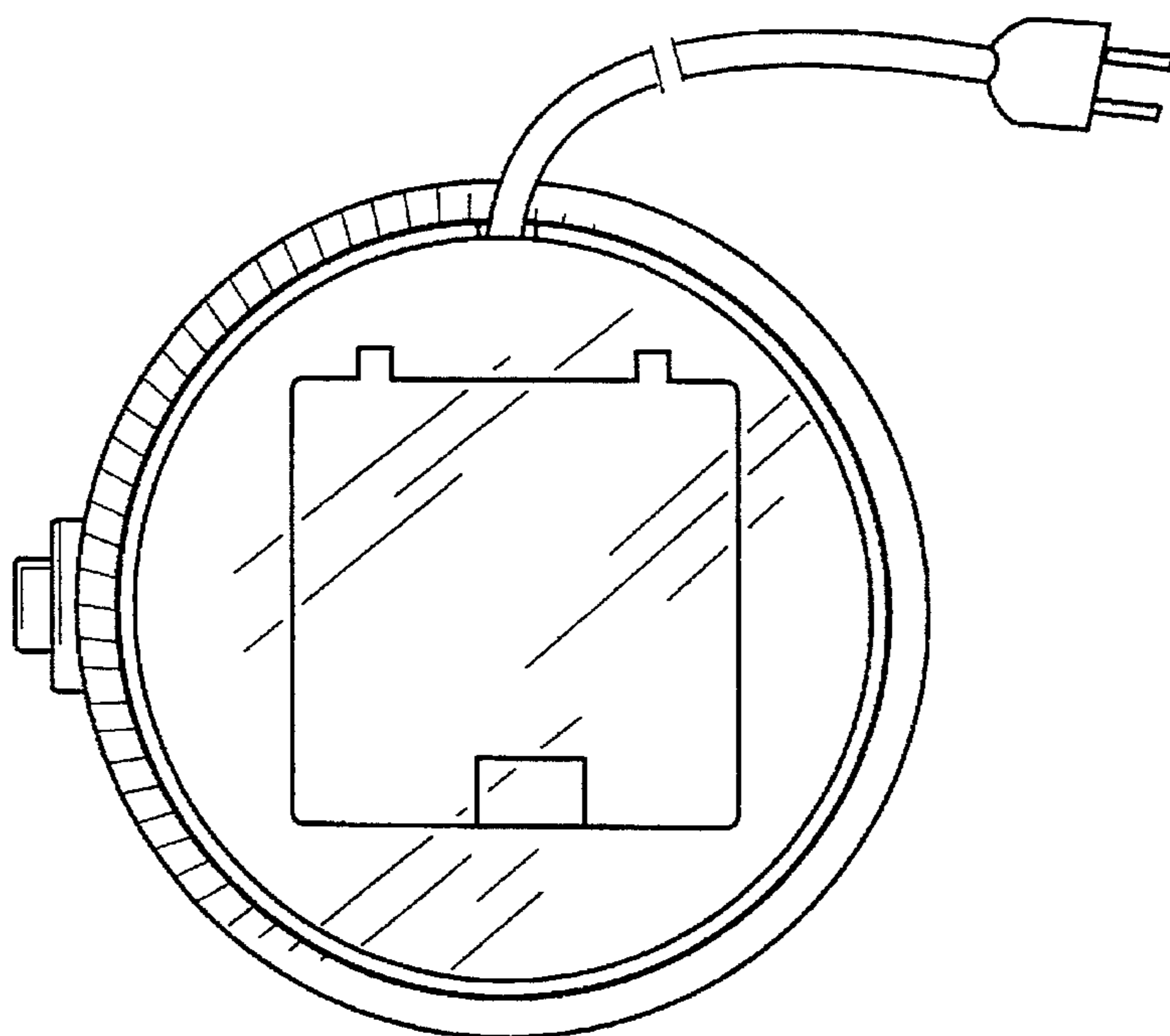


FIG. 6