



US00D379936S

United States Patent [19]
Wei-Hsin

[11] **Patent Number: Des. 379,936**
[45] **Date of Patent: **Jun. 17, 1997**

[54] **TALKING CLINICAL THERMOMETER**

[75] **Inventor: Fang Wei-Hsin, Taipei, Taiwan**

[73] **Assignee: Ultmost Industrial Corp., Taipei, Taiwan**

[**] **Term: 14 Years**

[21] **Appl. No.: 53,156**

[22] **Filed: Apr. 15, 1996**

[51] **LOC (6) Cl. 10-04**

[52] **U.S. Cl. D10/57**

[58] **Field of Search D10/57; 128/664, 128/670, 736, 738; 340/588; 364/413.03, 557, 581; 374/102, 130, 131, 158, 165, 208**

[56] **References Cited**

U.S. PATENT DOCUMENTS

D. 346,120 4/1994 Yoshikawa D10/57

Primary Examiner—Antoine Duval Davis
Attorney, Agent, or Firm—Caesar, Rivise, Bernstein, Cohen & Pokotilow, Ltd.

[57] **CLAIM**

The ornamental design for a talking clinical thermometer, as shown and described.

DESCRIPTION

FIG. 1 is a perspective view of the front and one side of the talking clinical thermometer of my new design;
FIG. 2 is an elevational view of the front of the talking clinical thermometer shown in FIG. 1;
FIG. 3 is a elevational view of either side of the talking clinical thermometer shown in FIG. 1;
FIG. 4 is an elevational view of one end of the talking clinical thermometer shown in FIG. 1;
FIG. 5 is an elevational view of the opposite end of the talking clinical thermometer shown in FIG. 1; and,
FIG. 6 is an elevational view of the bottom of the talking clinical thermometer shown in FIG. 1.

1 Claim, 2 Drawing Sheets

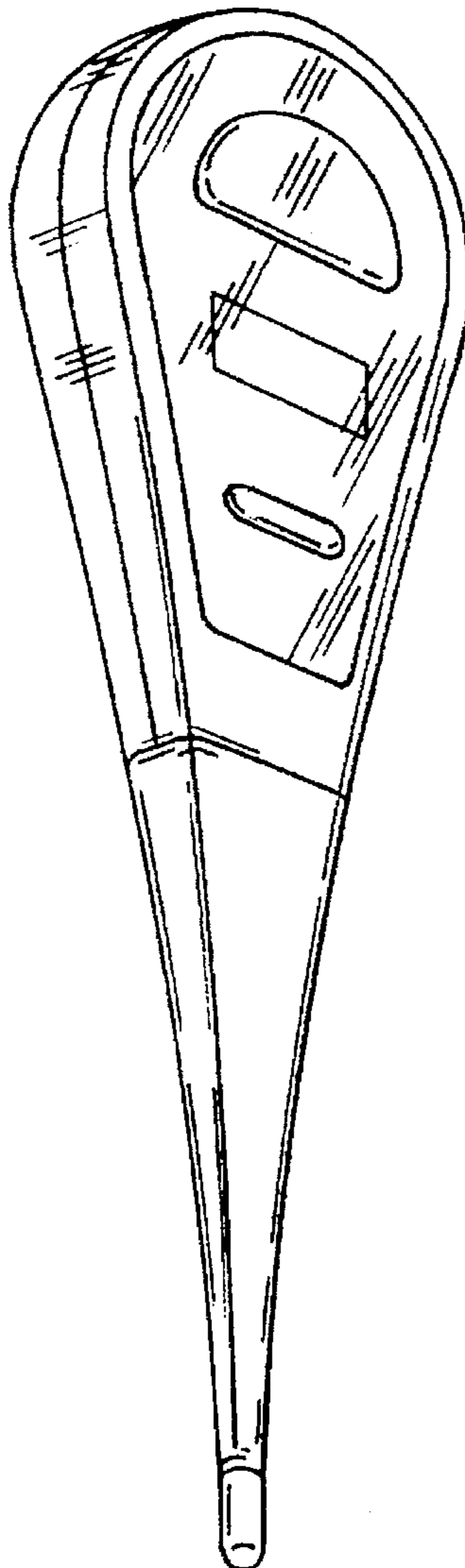


FIG. 1

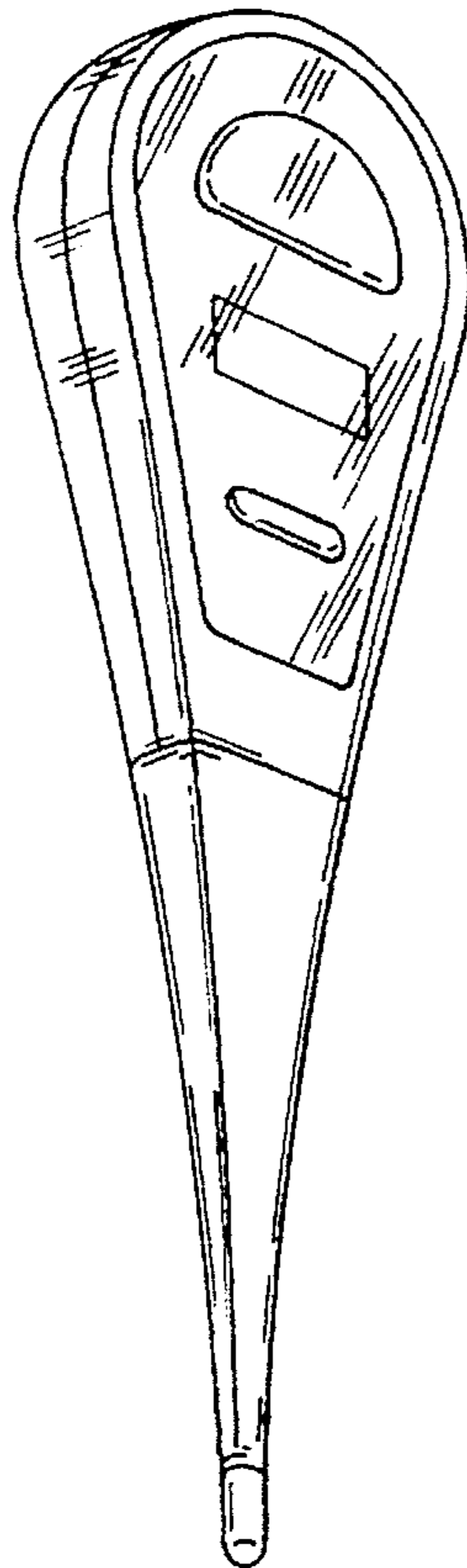


FIG. 2

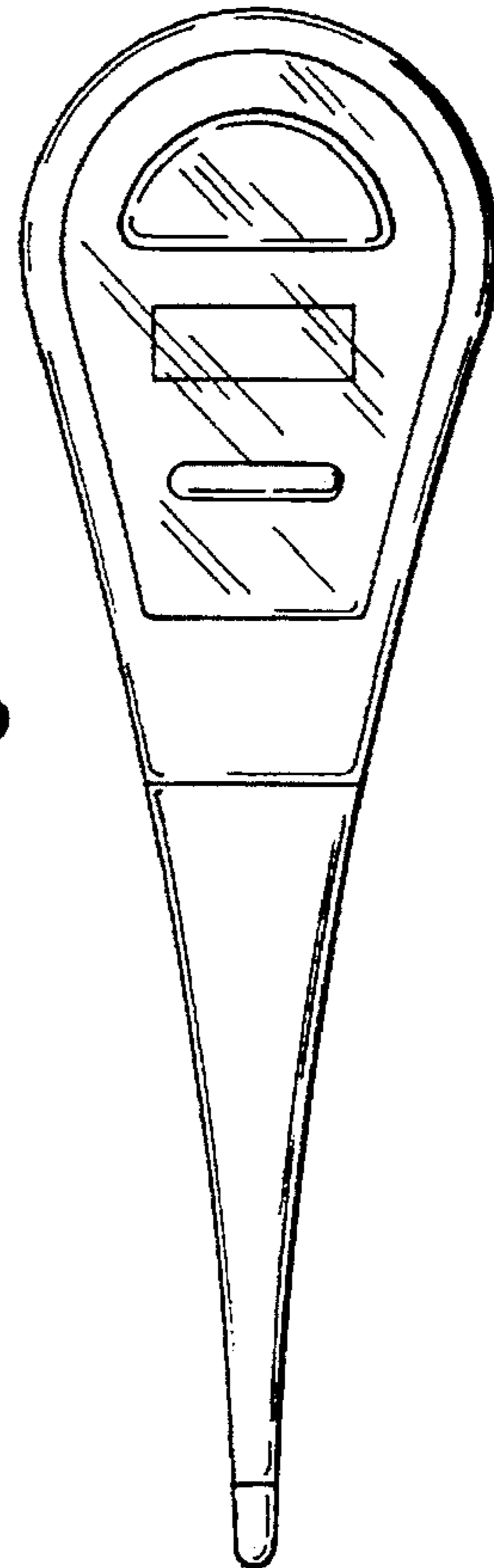


FIG. 3

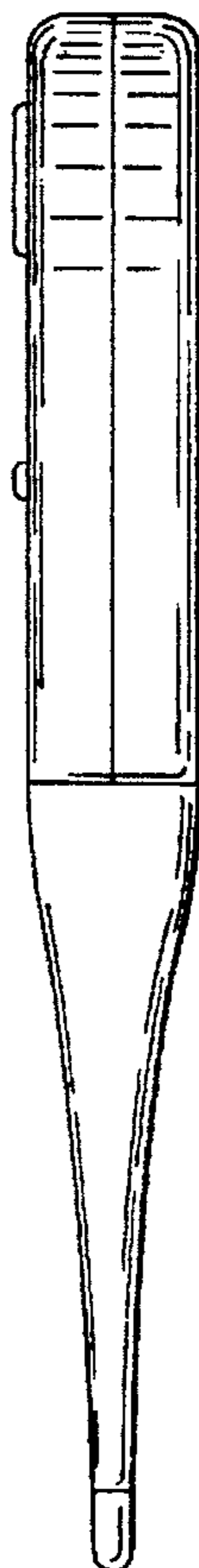


FIG. 4



FIG. 5

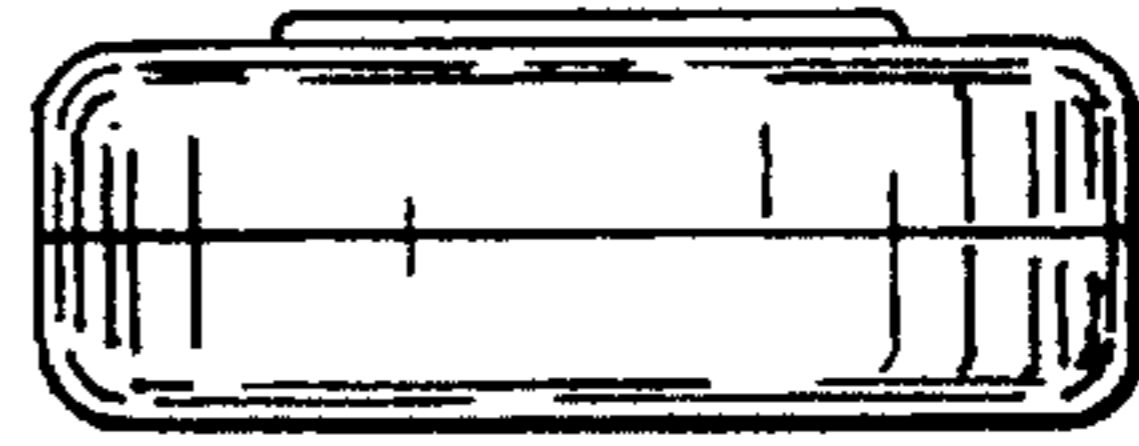


FIG. 6

