



US00D379930S

United States Patent [19] Gobe

[11] Patent Number: **Des. 379,930**
[45] Date of Patent: ****Jun. 17, 1997**

[54] **CYLINDRICAL BOTTLE**

[75] Inventor: **Marc Gobe, New York, N.Y.**

[73] Assignee: **Bath & Body Works, Inc., Columbus, Ohio**

[**] Term: **14 Years**

[21] Appl. No.: **36,871**

[22] Filed: **Mar. 28, 1995**

[51] LOC (6) Cl. **09-01**

[52] U.S. Cl. **D9/539; D9/556**

[58] Field of Search **D9/537-543, 556, D9/569, 564, 551, 570, 500, 505, 545; 215/383, 384, 382**

D. 249,329	9/1978	Schacher et al. .	
D. 262,778	1/1982	Britt et al.d	D9/542
D. 299,115	12/1988	Wetherell, Jr. .	
D. 303,084	8/1989	Sedam et al.	D9/543
D. 309,080	7/1990	Buchholz	D9/543
D. 331,880	12/1992	Wegner, IV et al. .	
D. 332,405	1/1993	Farley .	
D. 339,068	9/1993	Bell et al. .	
D. 340,867	11/1993	Martin .	
D. 354,914	1/1995	Newman	D9/503
3,537,498	11/1970	St. Amand	215/384 X

Primary Examiner—Lucy Lieberman
Attorney, Agent, or Firm—Colucci & Umans

[57] CLAIM

The ornamental design for a cylindrical bottle, as shown and described.

DESCRIPTION

FIG. 1 is a front elevational view of a cylindrical bottle showing my new design, with a cap area shown as environment only, and the rear elevational view being identical; FIG. 2 is a side elevational view thereof, the opposite side being identical; FIG. 3 is a top plan view thereof; FIG. 4 is a bottom plan view thereof; and, FIG. 5 is a cross-sectional view of the outer wall taken on line 5—5 of FIG. 1 for clarity of illustration. The broken line showing of a bottle cap is for illustrative purposes only and does not form part of the claimed design.

1 Claim, 2 Drawing Sheets

[56] References Cited

U.S. PATENT DOCUMENTS

D. 074,066	12/1927	Mas .	
D. 087,726	9/1932	Miller .	
D. 91,520	2/1934	Fuerst	D9/569
D. 91,691	3/1934	Steuer	215/382 X
D. 093,690	10/1934	Steelman .	
D. 094,101	12/1934	Spence .	
D. 099,492	4/1936	Keightley .	
D. 116,016	8/1939	Buckingham	D9/542
D. 124,920	1/1941	Heuisler, Jr. .	
D. 133,574	8/1942	Jackson .	
D. 145,645	9/1946	Runnels .	
D. 239,159	3/1976	Picker	D9/503
D. 246,896	1/1978	Plummer .	

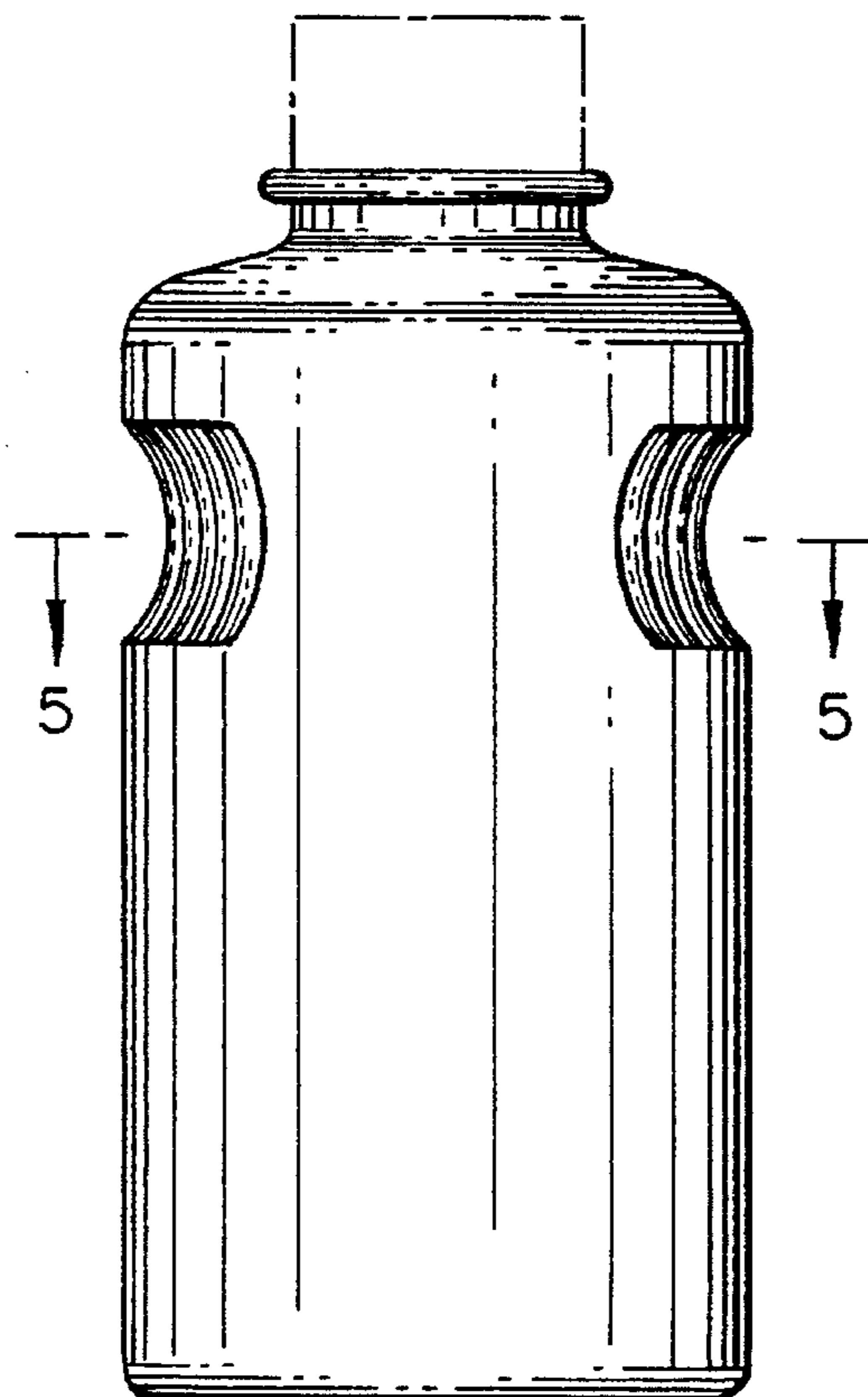


FIG. 1

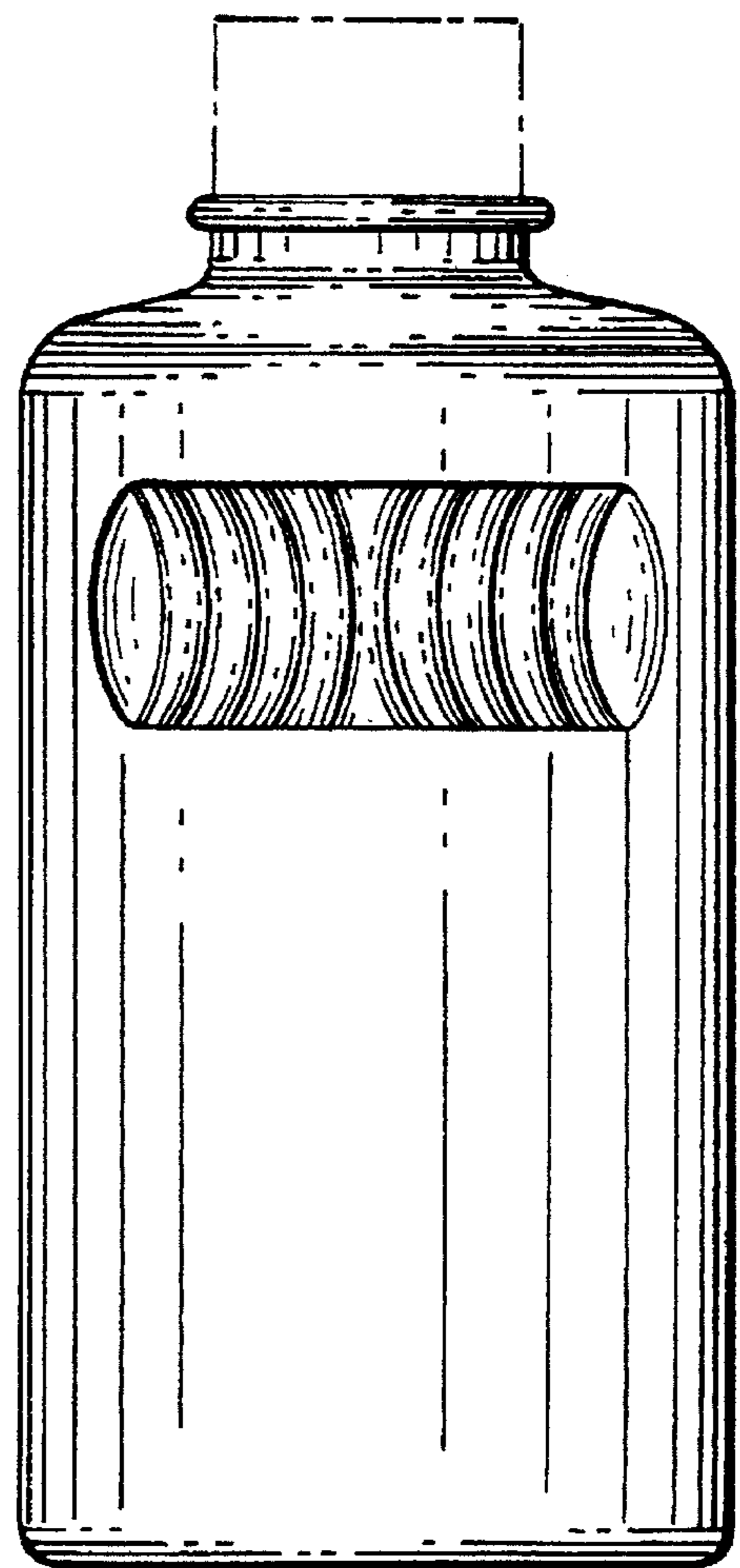
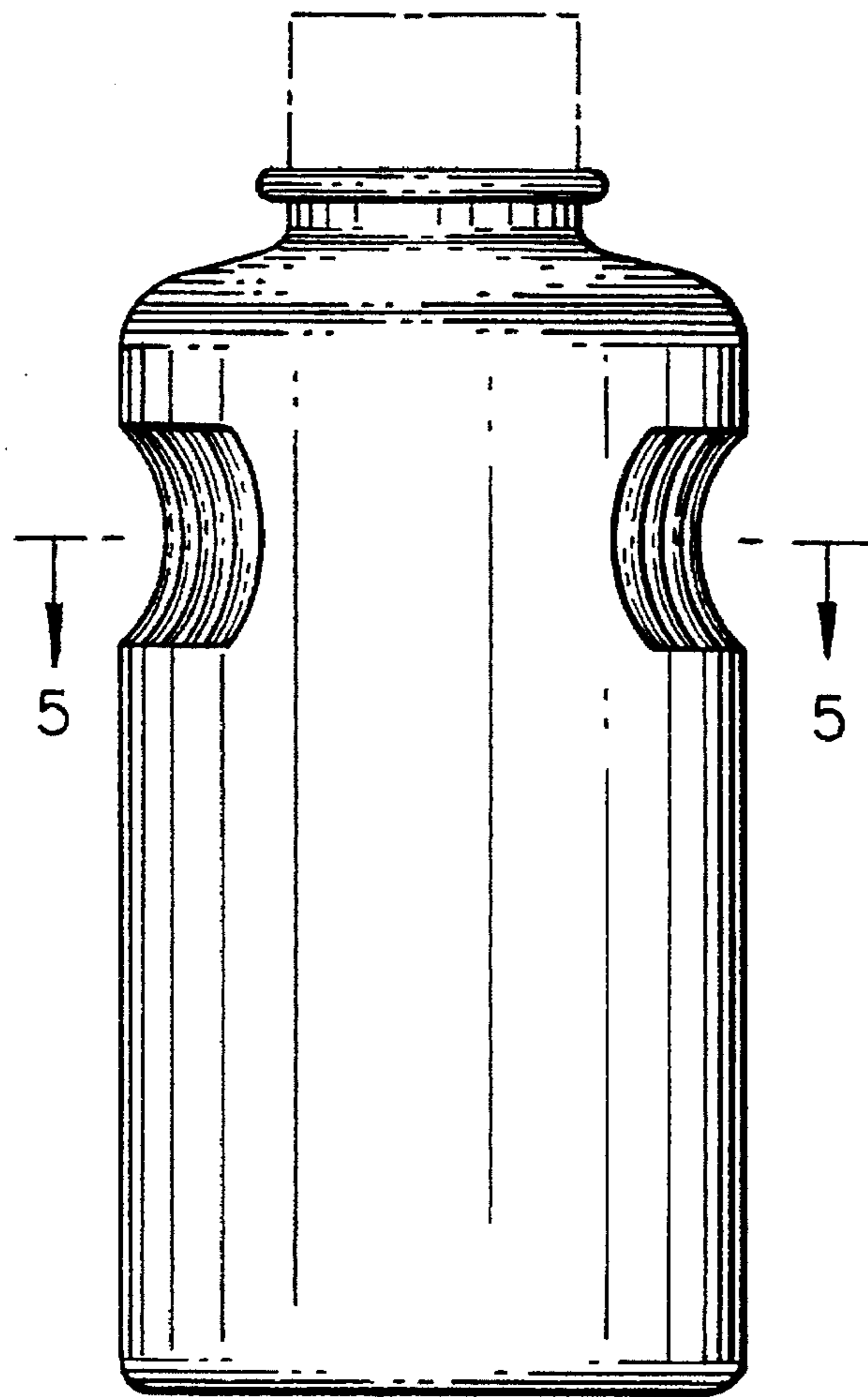


FIG. 2

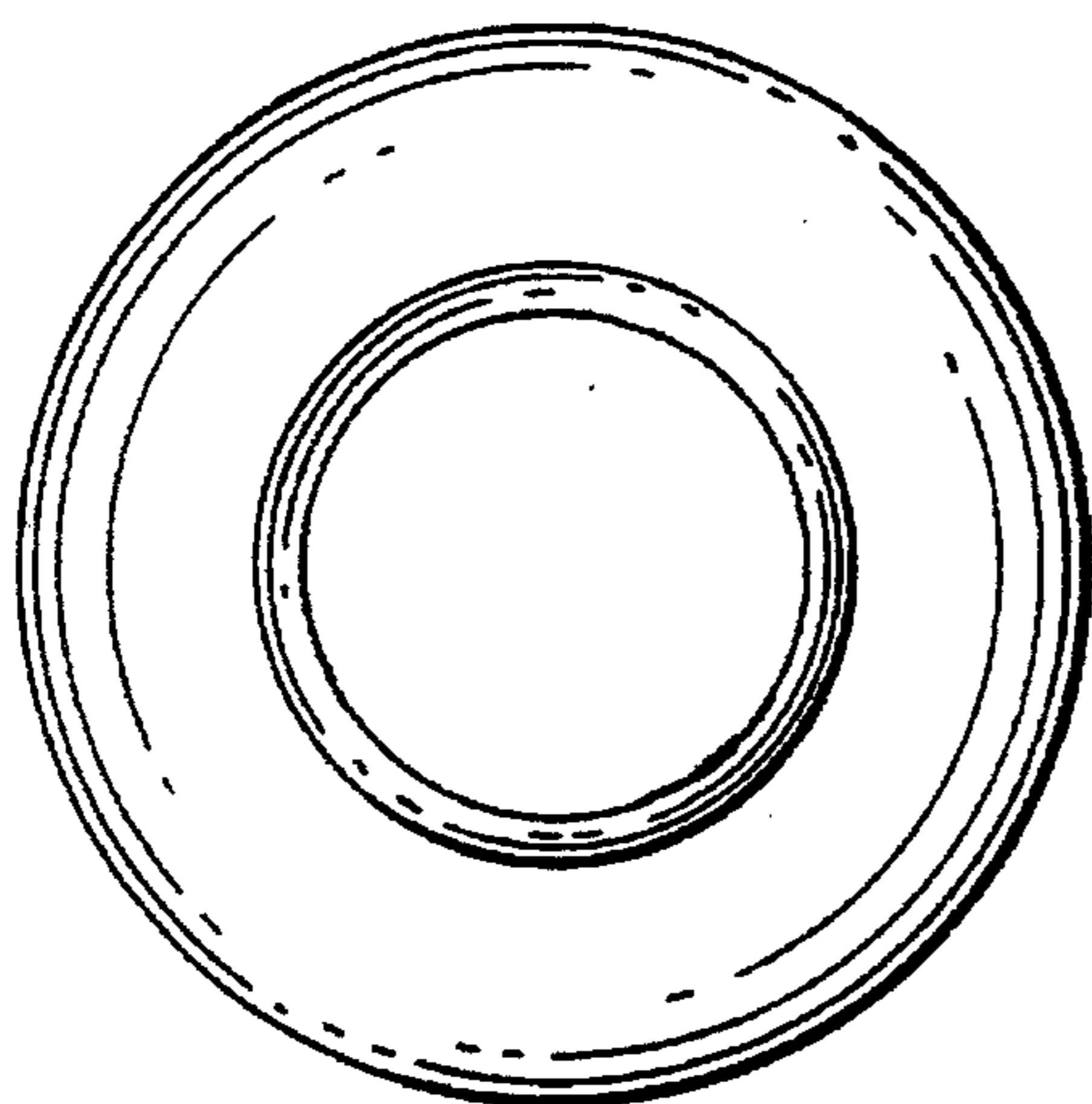


FIG. 3

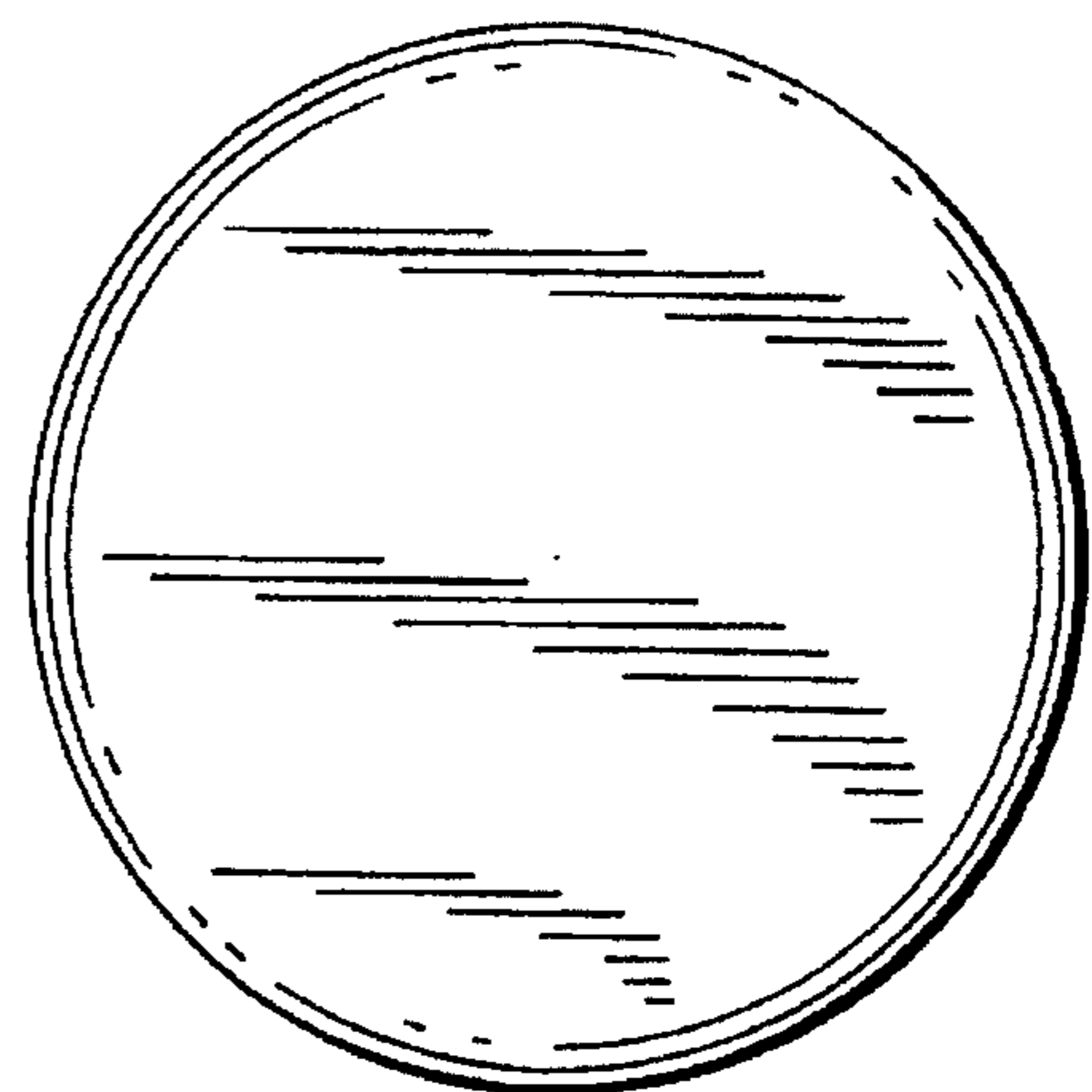


FIG. 4

FIG. 5

