



US00D379928S

United States Patent [19]

[11] Patent Number: **Des. 379,928**

Freek et al.

[45] Date of Patent: ****Jun. 17, 1997**

[54] **CUP LID**

[75] Inventors: **Mike Freek; Raya Berkovich**, both of Toronto, Canada

[73] Assignee: **James River Corporation of Virginia**, Richmond, Va.

[**] Term: **14 Years**

[21] Appl. No.: **39,885**

[22] Filed: **Jun. 6, 1995**

[51] **LOC (6) Cl.** **09-07**

[52] **U.S. Cl.** **D9/447; D7/392.1**

[58] **Field of Search** **D9/434-436, 438, D9/440, 447-450, 452-454; D7/510, 511, 392.1, 392, 391, 538-542; 215/387, 301; 220/719, 254, 711-713, 710.5, 306-308, 270**

4,008,824 2/1977 Renoux 220/270 X

4,014,459 3/1977 Robinson .

4,090,660 5/1978 Schram et al. .

4,187,954 2/1980 Striggow .

4,243,156 1/1981 Lobbestael .

4,303,170 12/1981 Panicci .

4,345,695 8/1982 Galloway et al. .

4,350,260 9/1982 Prueher .

4,412,629 11/1983 Dart et al. 220/254 X

4,441,624 4/1984 Sokolowski .

4,582,214 4/1986 Dart et al. 220/254 X

4,589,569 5/1986 Clements .

4,767,019 8/1988 Horner .

4,795,052 1/1989 Hayes, Jr. .

5,183,172 2/1993 Boller .

5,253,781 10/1993 Van Melle et al. .

5,273,177 12/1993 Campbell 215/301

Primary Examiner—Jeffrey Asch
Attorney, Agent, or Firm—Sixbey, Friedman, Leedom & Ferguson, P.C.; Donald R. Studebaker

[56] References Cited

U.S. PATENT DOCUMENTS

Re. 29,898 2/1979 Wheeler .

D. 209,483 12/1967 Frank D9/454

D. 240,601 7/1976 Newman D9/447

D. 267,633 1/1983 Christian D9/438

D. 285,416 9/1986 Dart et al. D9/447

D. 287,919 1/1987 Clements D7/392.1

D. 291,537 8/1987 Crawford et al. D9/447 X

D. 319,017 8/1991 Turner et al. D9/449

D. 335,424 5/1993 Chang D7/392.1

D. 352,457 11/1994 Hughes, Jr. et al. D9/447

2,534,614 12/1950 Michael .

3,868,043 2/1975 Freemyer .

[57] CLAIM

The ornamental design for a cup lid, as shown and described.

DESCRIPTION

FIG. 1 is a perspective view of the drink-thru cup lid showing our new design;

FIG. 2 is a side elevational view of the drink-thru cup lid of FIG. 1;

FIG. 3 is a top plan view of the drink-thru cup lid of FIG. 1; and,

FIG. 4 is a bottom plan view of the drink-thru cup lid of FIG. 1.

1 Claim, 2 Drawing Sheets

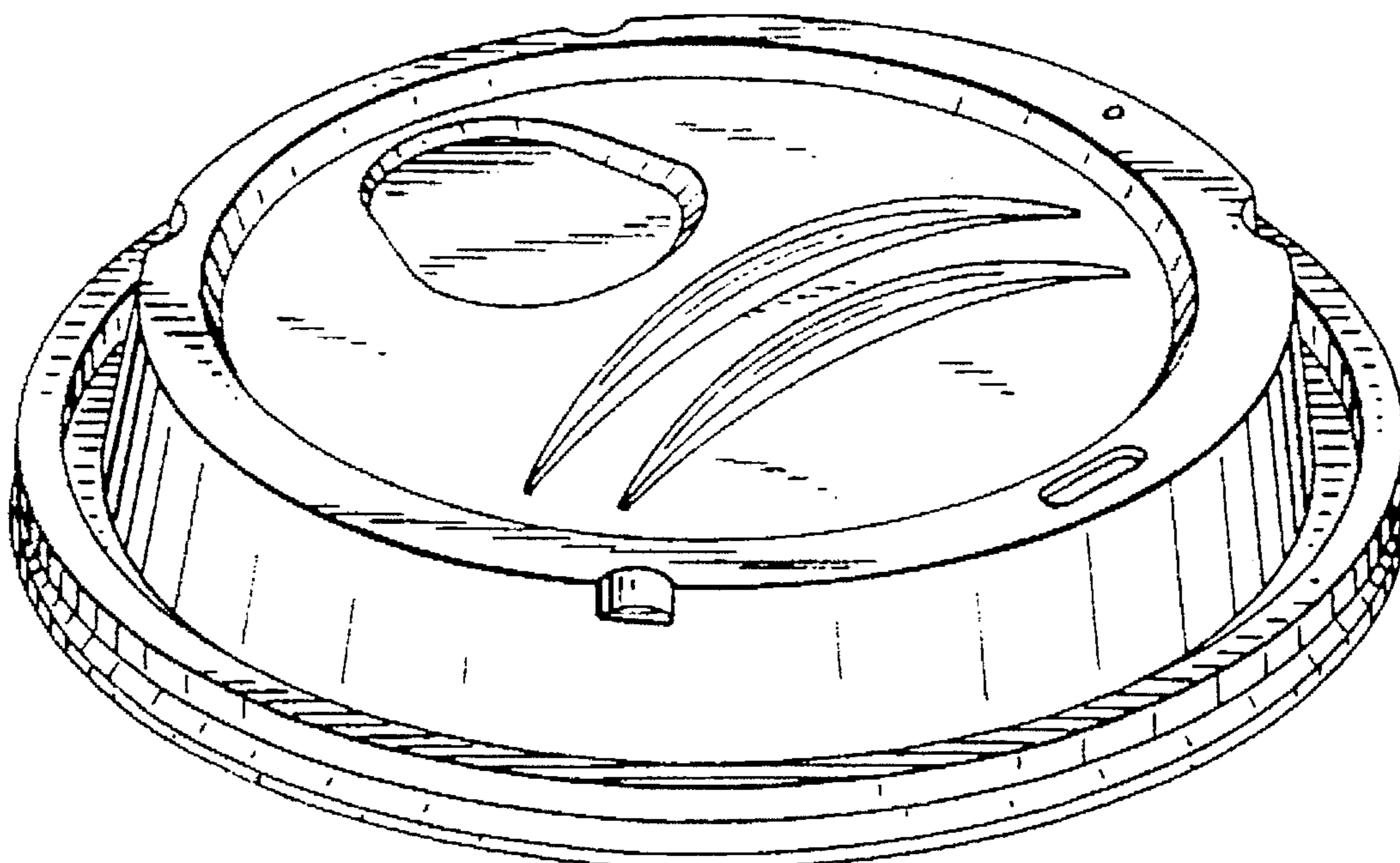


FIG. 1

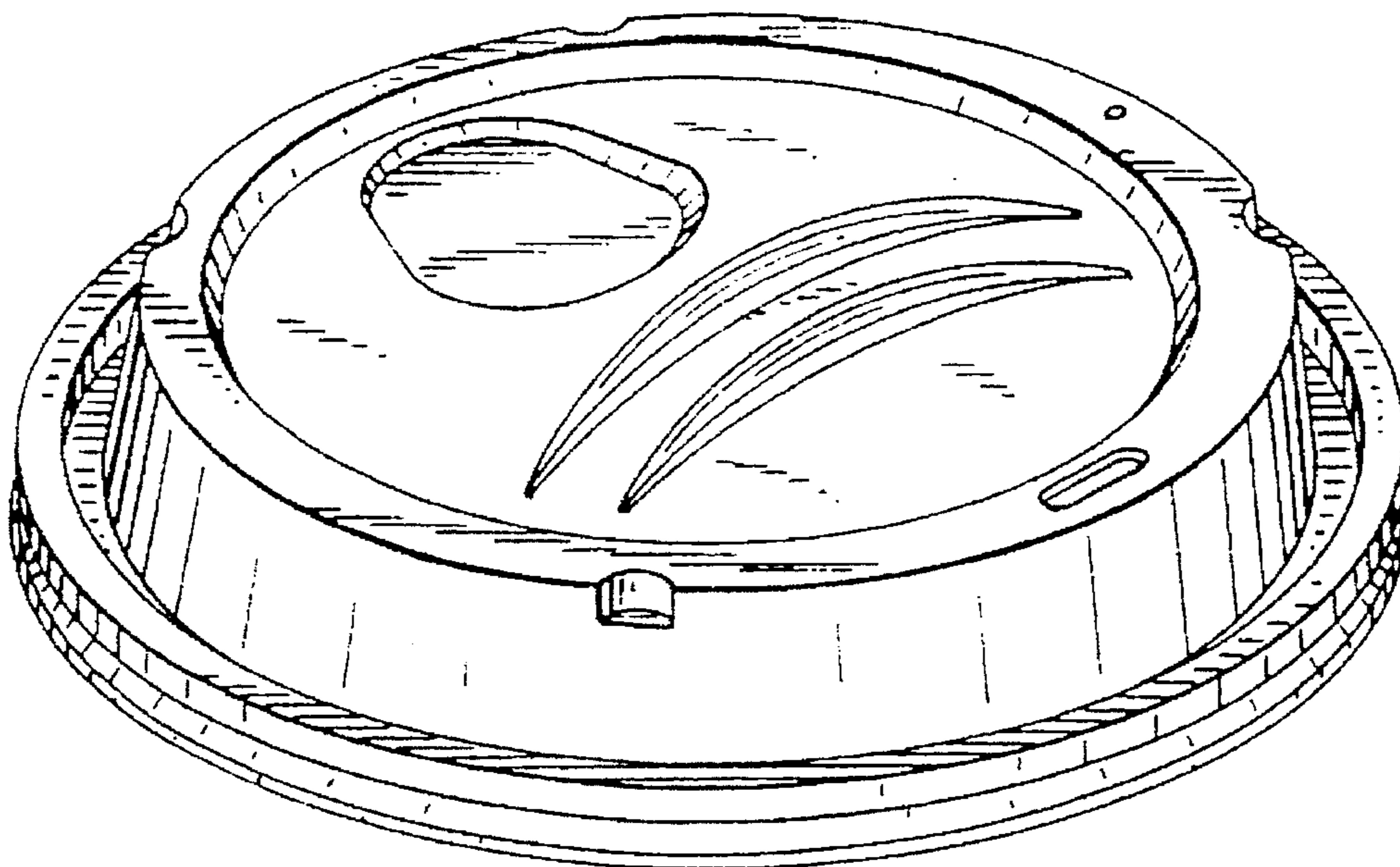


FIG. 2

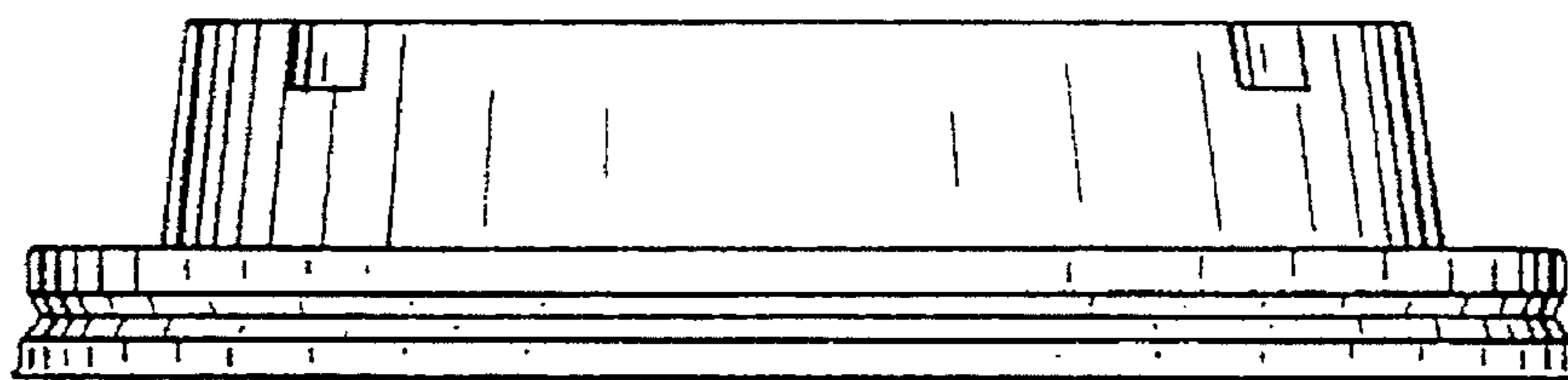


FIG. 3

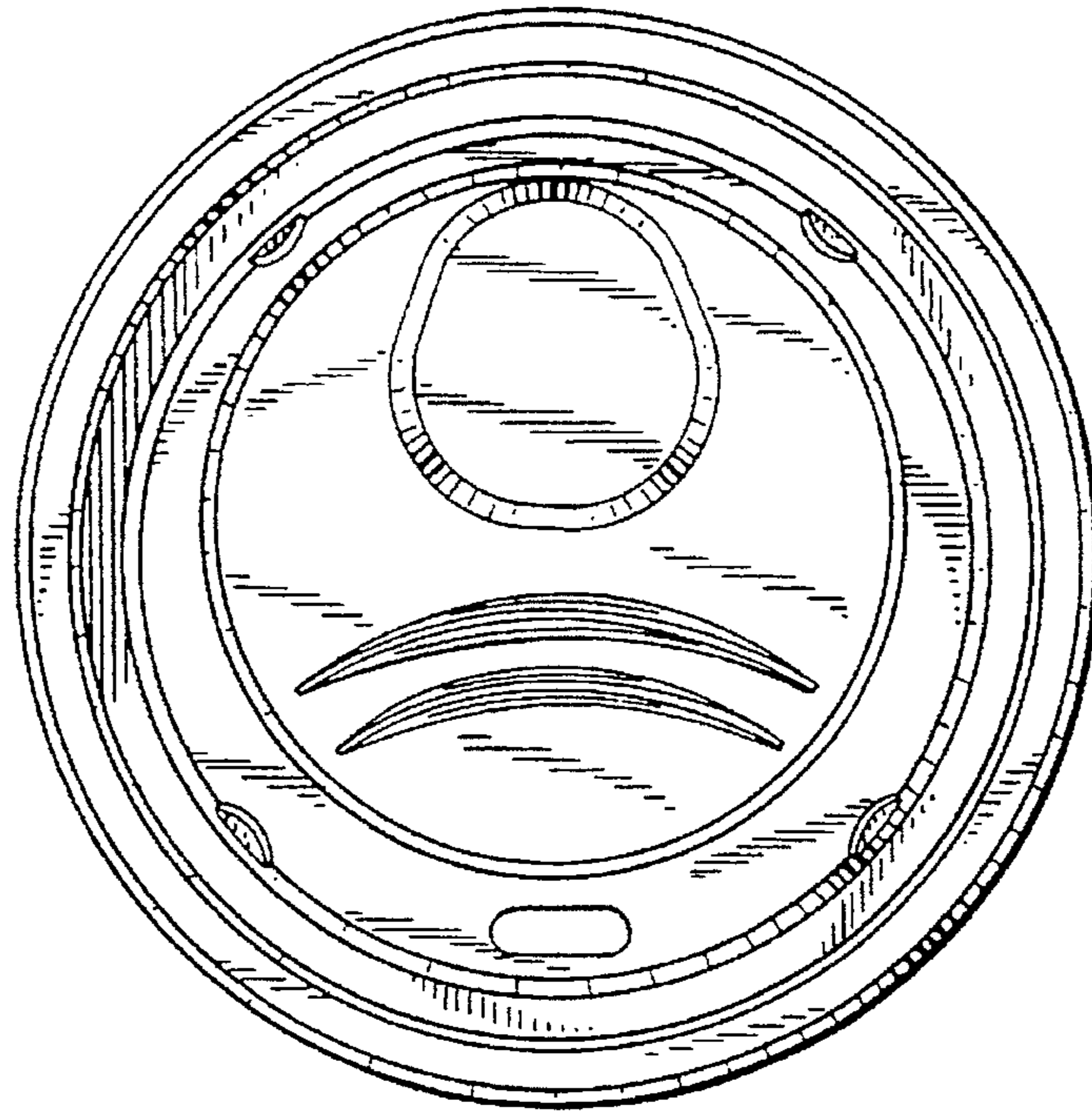


FIG. 4

