



US00D379922S

United States Patent [19]
Adams

[11] **Patent Number: Des. 379,922**
[45] **Date of Patent: **Jun. 17, 1997**

[54] **WALL PROTECTOR**
[75] **Inventor: William E. Adams, Portersville, Pa.**
[73] **Assignee: Adams Mfg. Corp., Portersville, Pa.**
[**] **Term: 14 Years**
[21] **Appl. No.: 38,084**
[22] **Filed: Apr. 28, 1995**
[51] **LOC (6) Cl. 08-09**
[52] **U.S. Cl. D8/402; D8/499**
[58] **Field of Search D8/400, 402, 499,
D8/374-5, 321, 322; D25/138, 140; 16/82,
83, 86 R, 86 A, 86 B; 248/345.1, 188.9;
52/143, 184; 267/153, 141, 140; 428/33,
63, 40.1**

2,899,703 8/1959 Johnson 16/86 A
2,902,794 9/1959 Ehrgott .
5,238,233 8/1993 Hein 267/140 X

FOREIGN PATENT DOCUMENTS

552180 1/1923 France 16/86 A
1203 of 1894 United Kingdom 16/86 A
542788 1/1942 United Kingdom 248/346.1
1050987 12/1966 United Kingdom 16/86 A
1360471 7/1974 United Kingdom .

Primary Examiner—Philip S. Hyder
Assistant Examiner—C. Tuttle
Attorney, Agent, or Firm—Buchanan Ingersoll, P.C.; Lynn J. Alstadt

[57] **CLAIM**

The ornamental design for a wall protector, as shown and described.

[56] **References Cited**

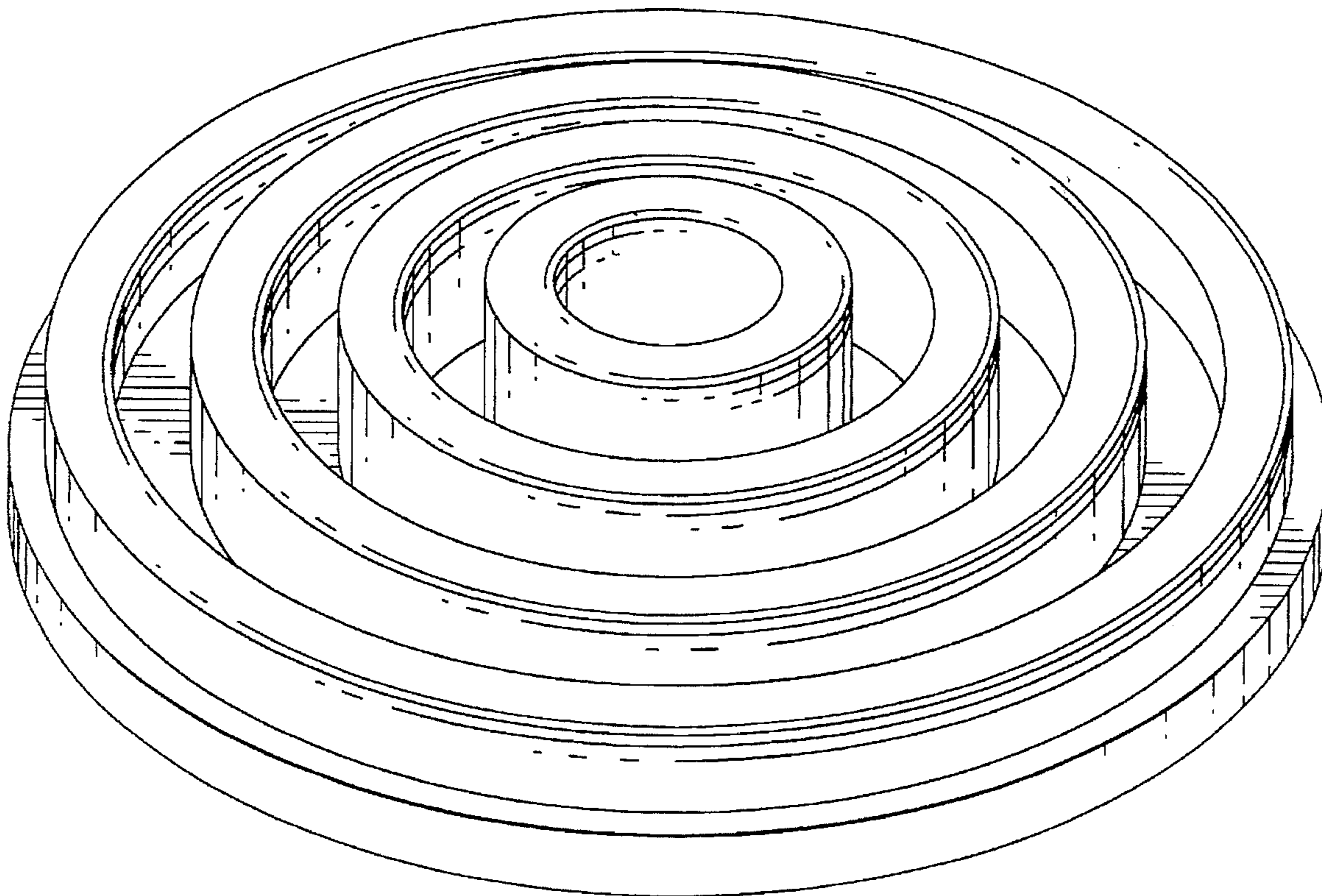
U.S. PATENT DOCUMENTS

D. 114,551 5/1939 Morgan .
D. 120,409 5/1940 Myers .
D. 242,554 11/1976 Flanagan .
D. 271,662 12/1983 Jones D8/354 X
D. 288,525 3/1987 Angle D8/402 X
D. 352,889 11/1994 Crowther et al. D8/402
1,860,326 5/1932 Jackson 16/86 A X

DESCRIPTION

FIG. 1 is a perspective view of my wall protector;
FIG. 2 is a top plan view thereof;
FIG. 3 is a side view thereof all sides appearing the same;
and,
FIG. 4 is a bottom plan view thereof.

1 Claim, 3 Drawing Sheets



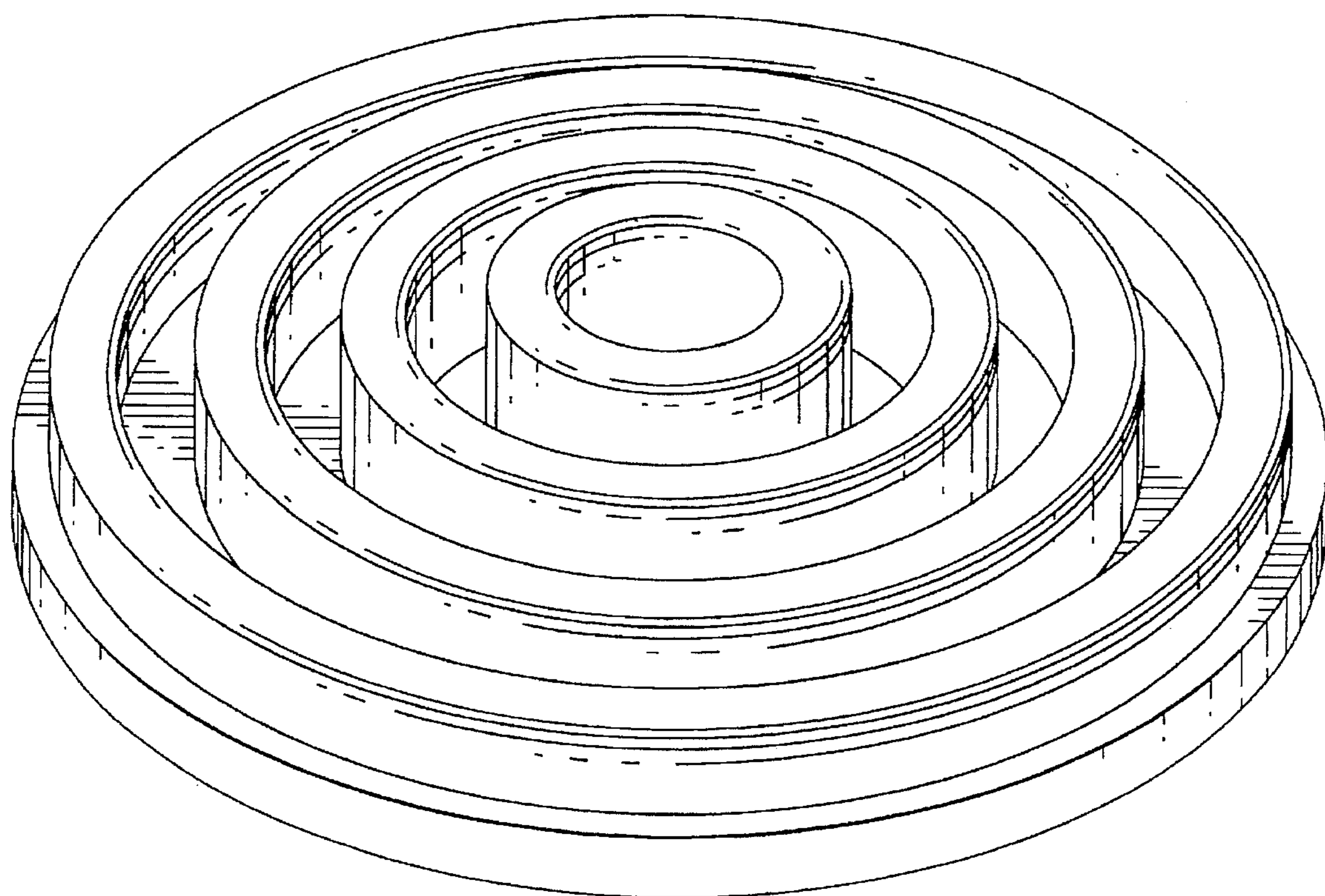


FIG. 1

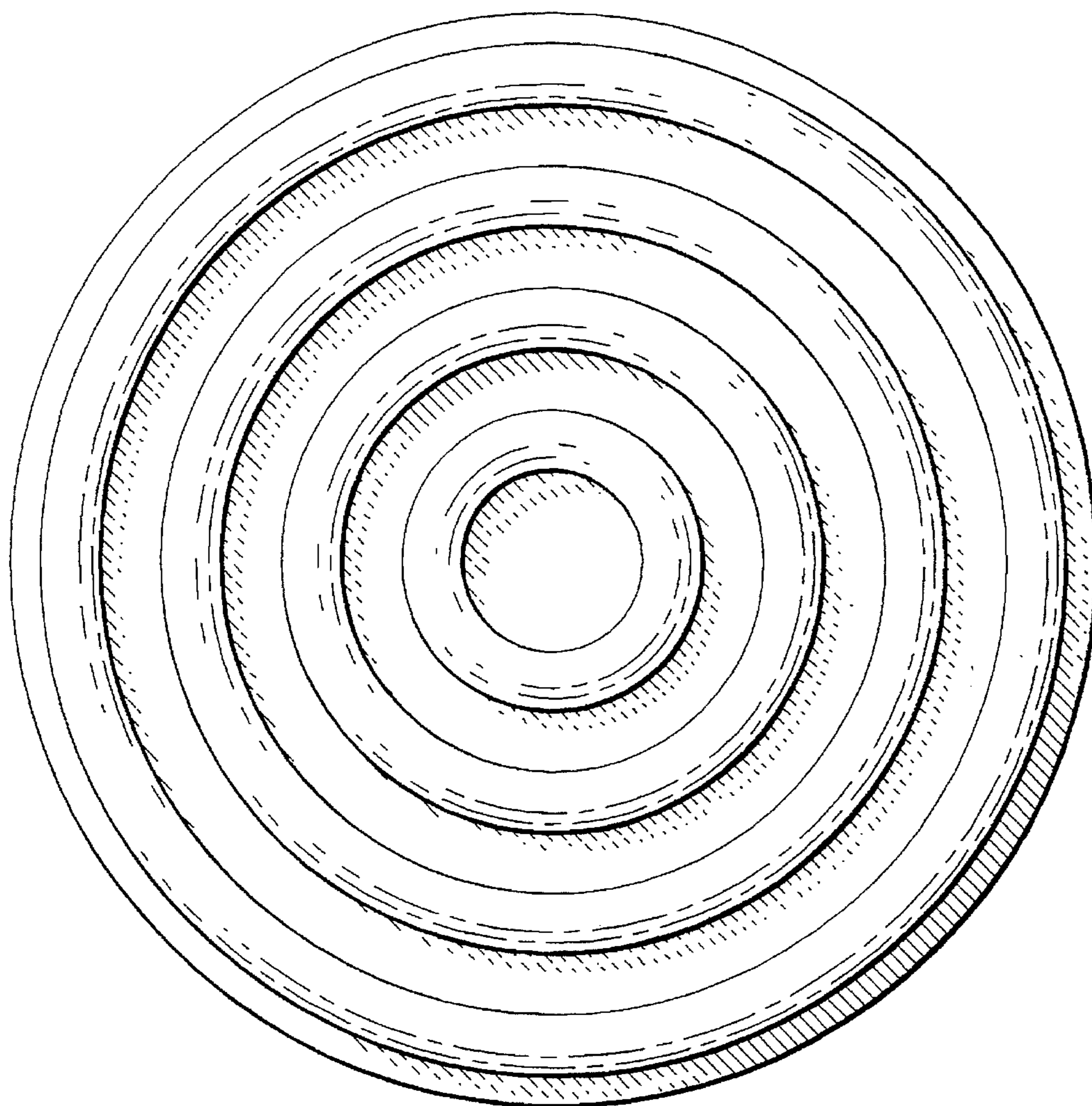


FIG. 2

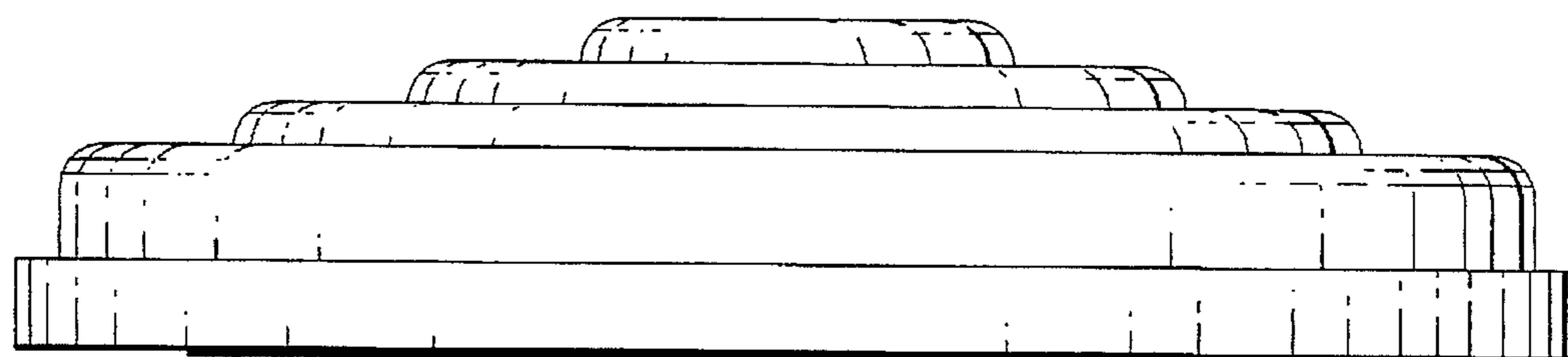


FIG. 3

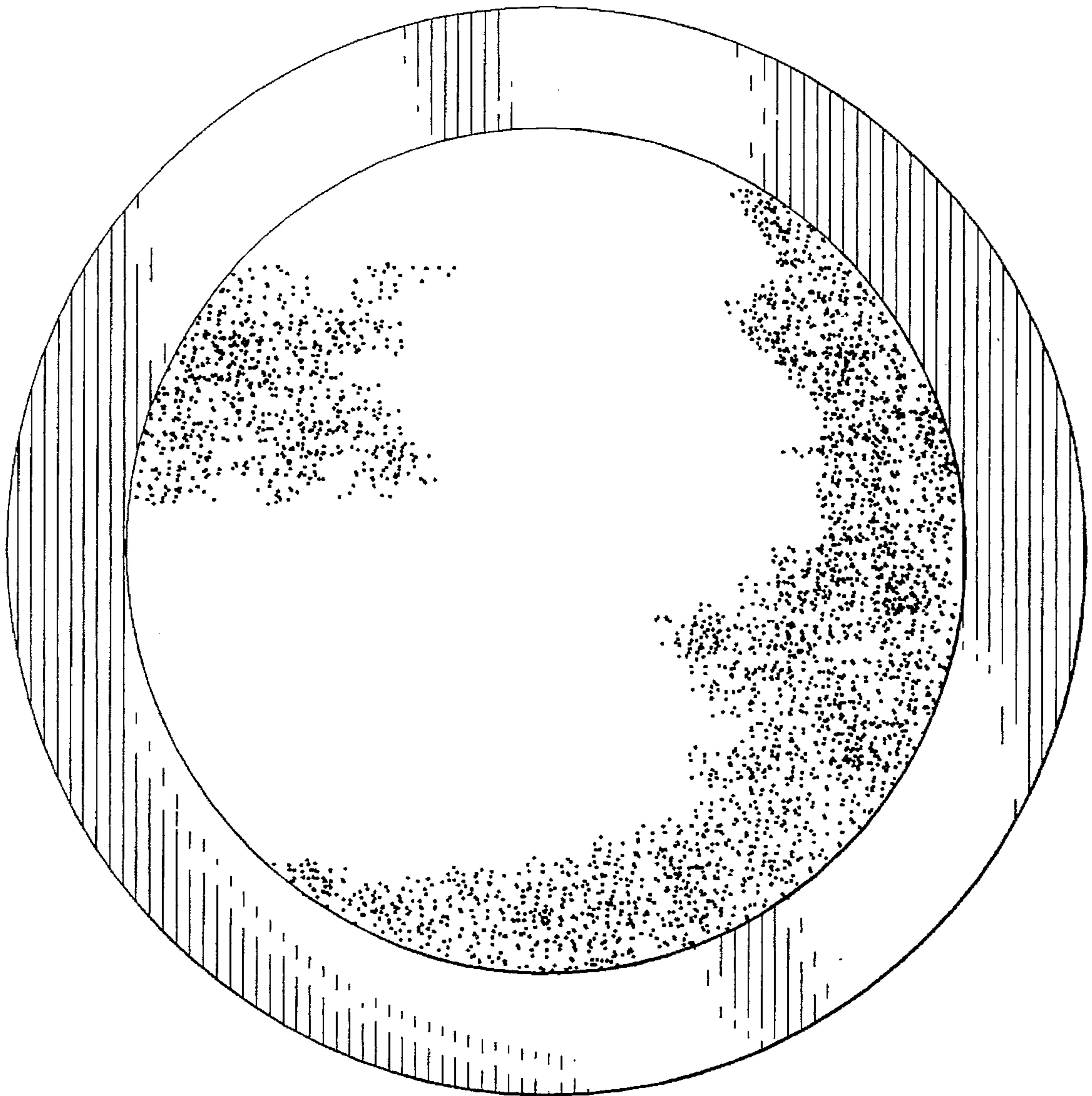


FIG. 4