



US00D379920S

United States Patent [19]

Bozzo

[11] Patent Number: **Des. 379,920**

[45] Date of Patent: ****Jun. 17, 1997**

[54] **DRAPERY BRACKET**

[76] Inventor: **Romolo T. Bozzo**, 673 King Street
East, Hamilton, Ontario, Canada, L8M
1A1

[**] Term: **14 Years**

[21] Appl. No.: **53,865**

[22] Filed: **May 1, 1996**

[51] LOC (6) Cl. **08-05**

[52] U.S. Cl. **D8/368; D8/370**

[58] Field of Search D8/370, 368-369;
160/348, 349.1-349.2; 248/249, 302-303,
218.1; 211/106, 112; D6/578-579

[56] **References Cited**

U.S. PATENT DOCUMENTS

D. 286,261	10/1986	Smederod	D8/368
D. 357,401	4/1995	Iverson	D8/368
1,580,847	4/1926	Moineau	248/302
1,730,979	6/1929	Liebchen	.	
1,809,317	6/1931	Snyder	.	
2,247,253	6/1941	Rosenberg	.	
2,337,950	12/1943	Werner et al.	160/349.2 X

2,431,934	12/1947	Higgins	D8/369 X
4,903,370	2/1990	Erdmann	.	
5,343,925	9/1994	Hannerstig	.	

FOREIGN PATENT DOCUMENTS

10020	of 1890	United Kingdom	.	
26399	10/1913	United Kingdom	160/349.2
26794	10/1913	United Kingdom	160/349.2

Primary Examiner—Holly Baynham

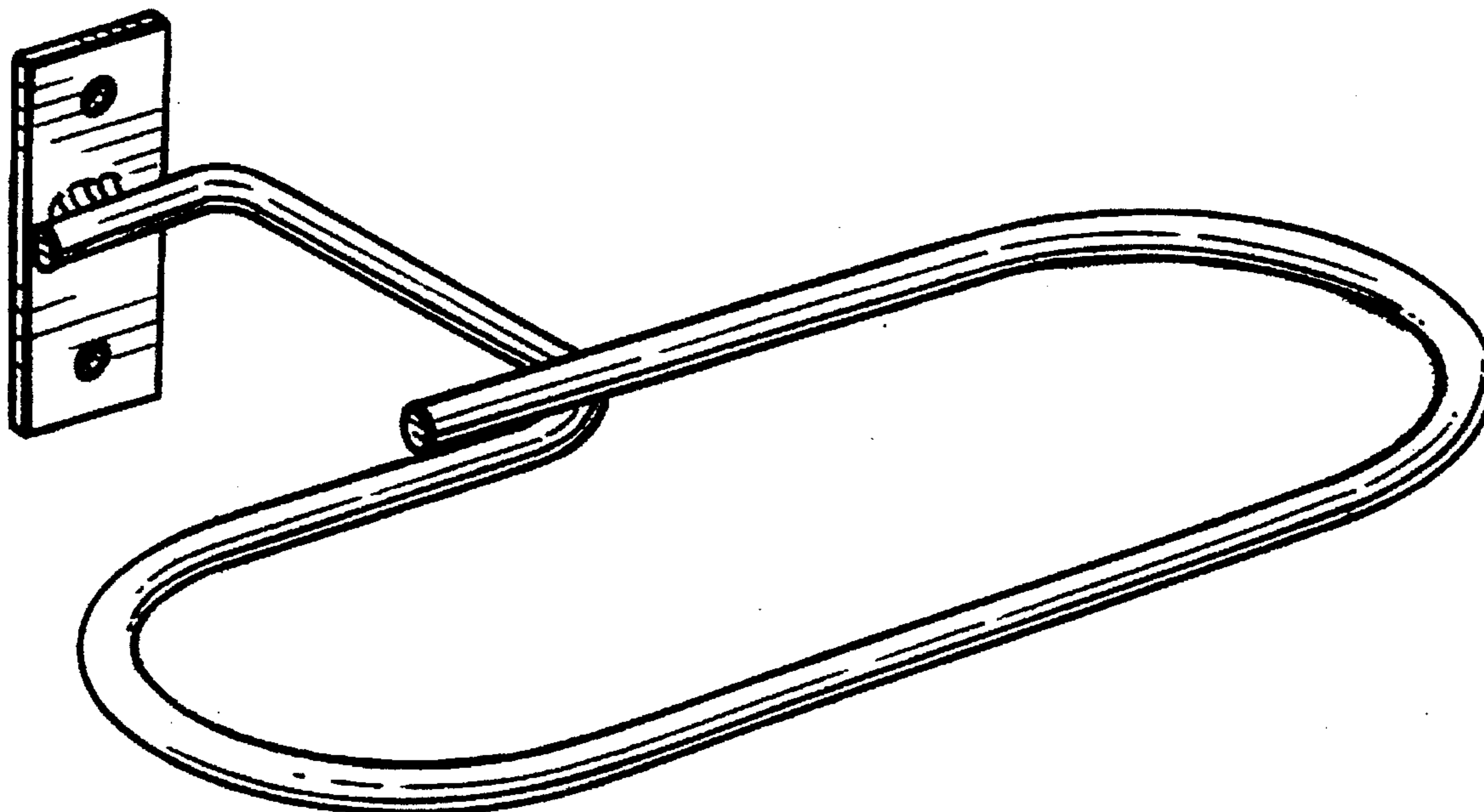
[57] **CLAIM**

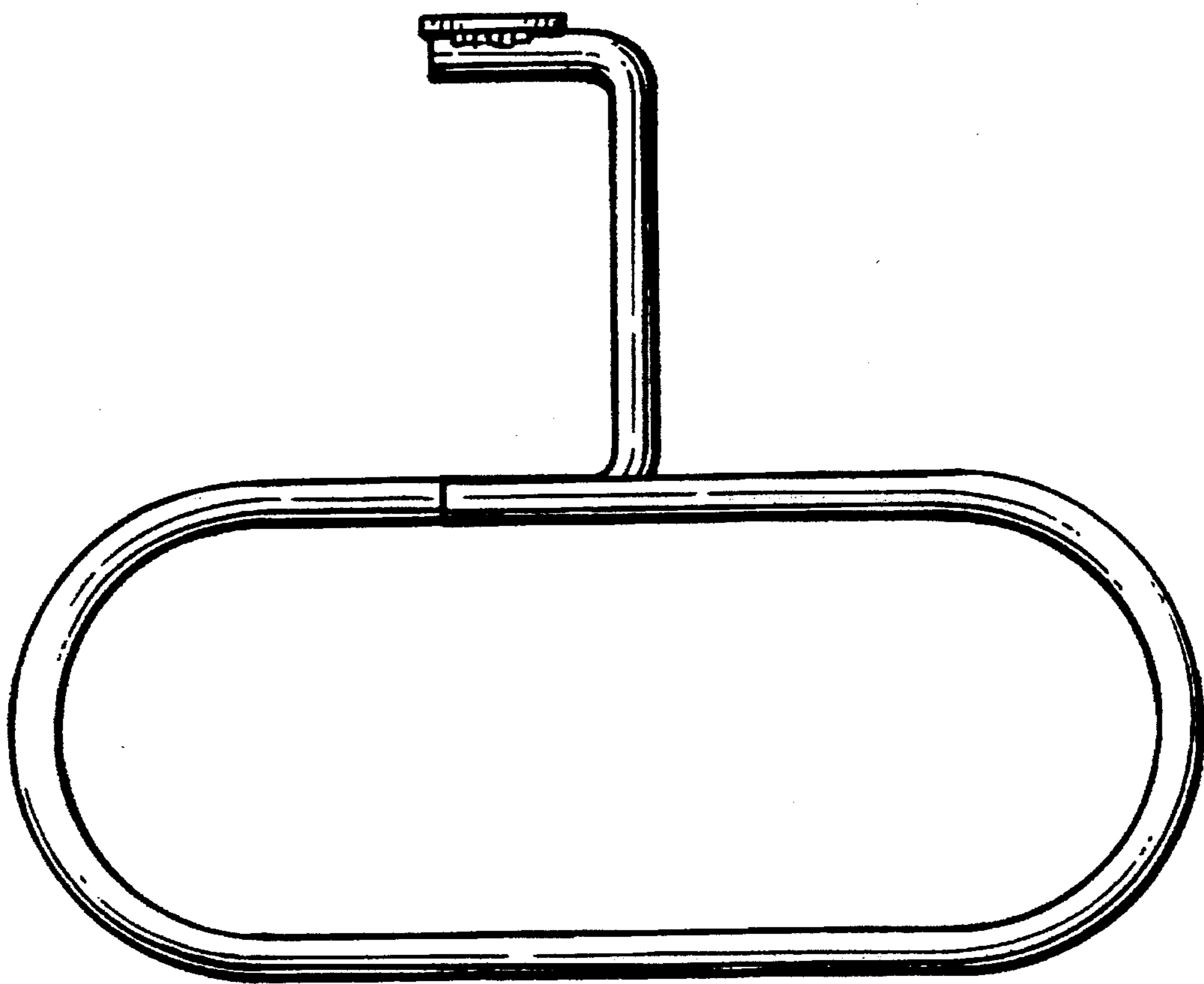
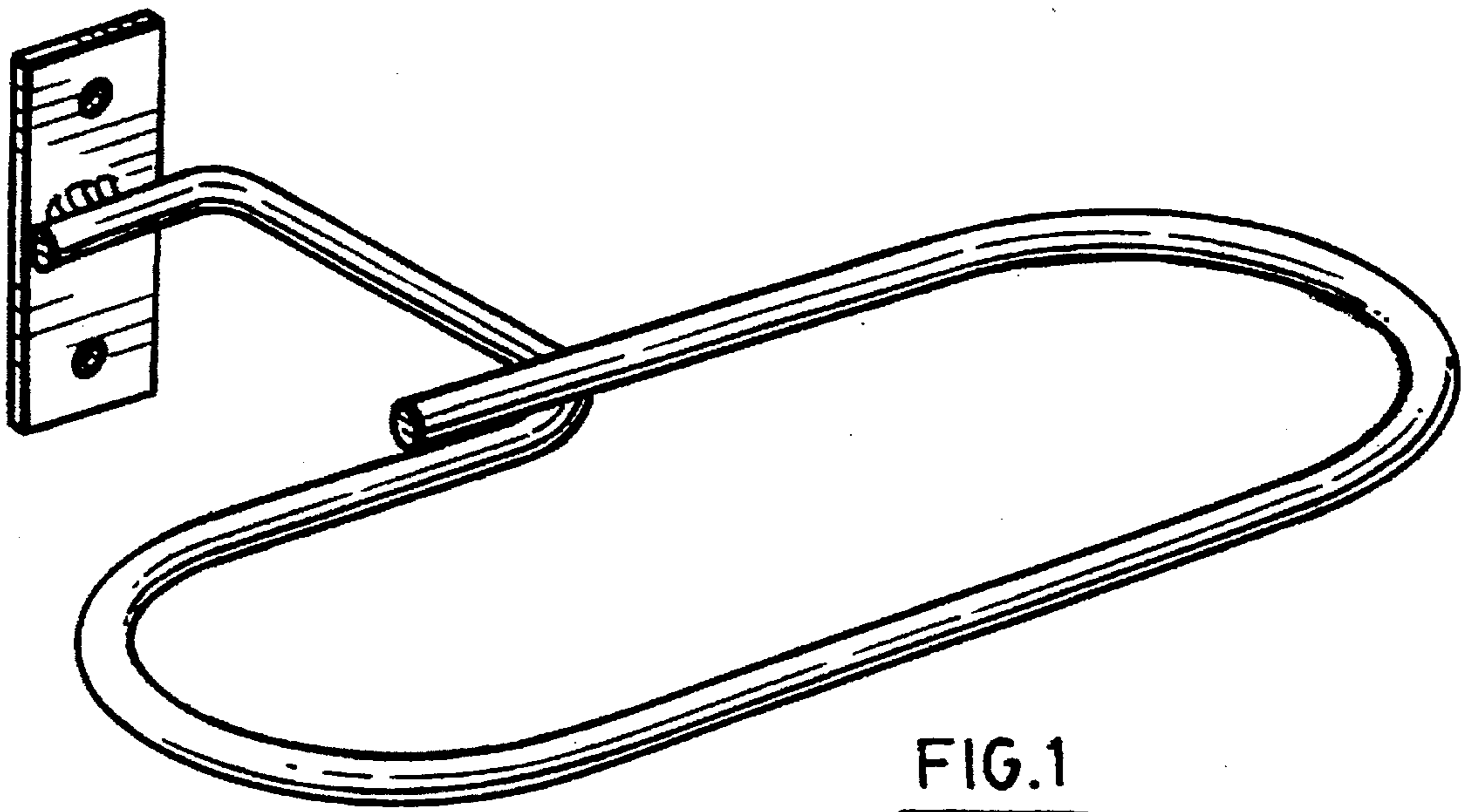
The ornamental design for a drapery bracket, as shown.

DESCRIPTION

FIG. 1 is a perspective view from the top and to the left of a drapery bracket showing my new design;
 FIG. 2 is a top plan view thereof;
 FIG. 3 is a side elevation view thereof from the left-hand side;
 FIG. 4 is a side elevation view thereof from the right-hand side;
 FIG. 5 is a rear elevation view thereof; and,
 FIG. 6 is a front elevation view thereof.

1 Claim, 2 Drawing Sheets





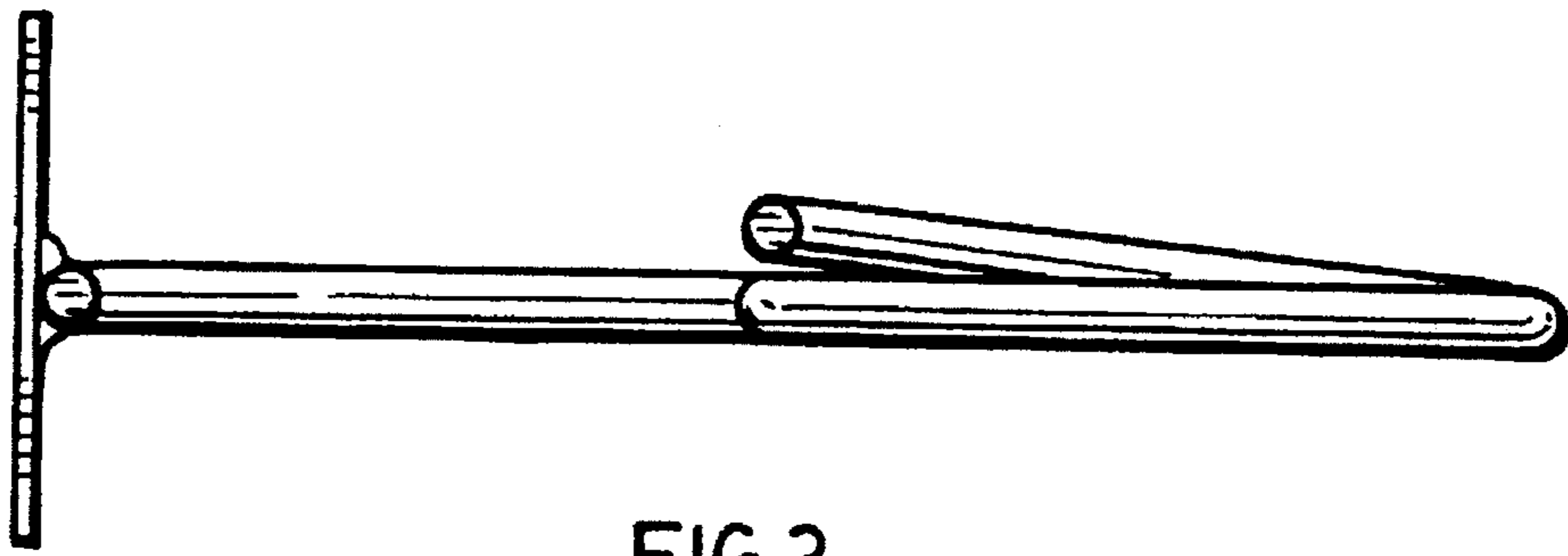


FIG. 3

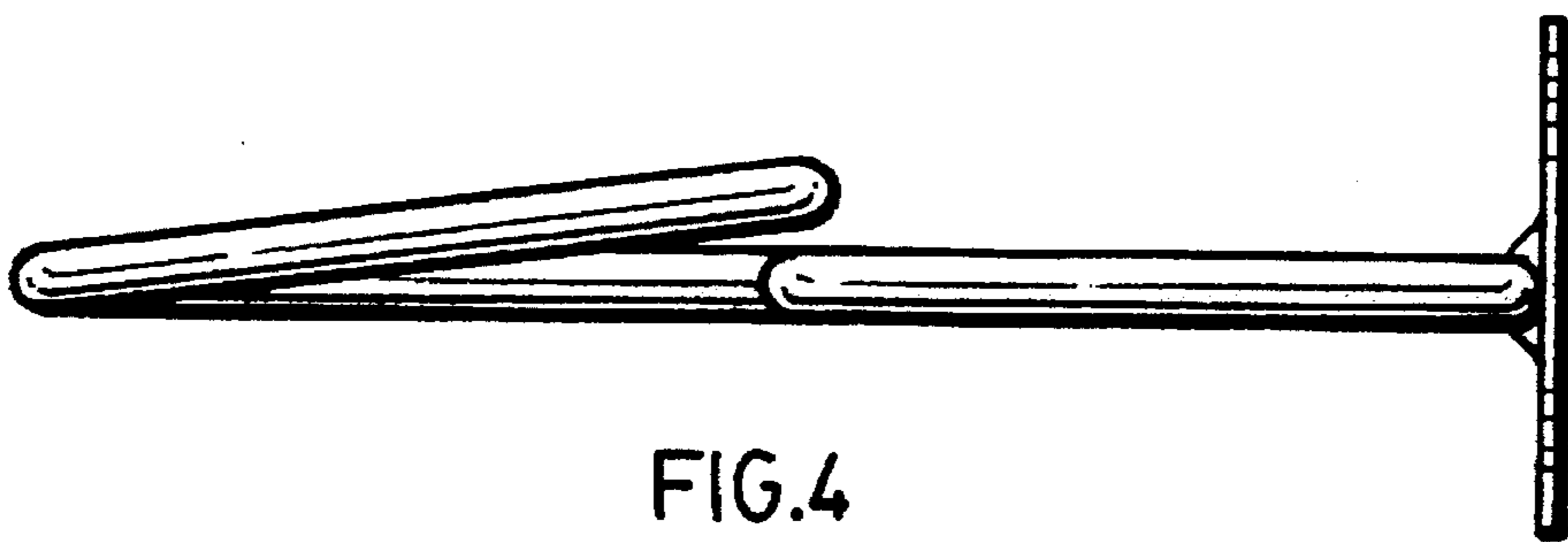


FIG. 4

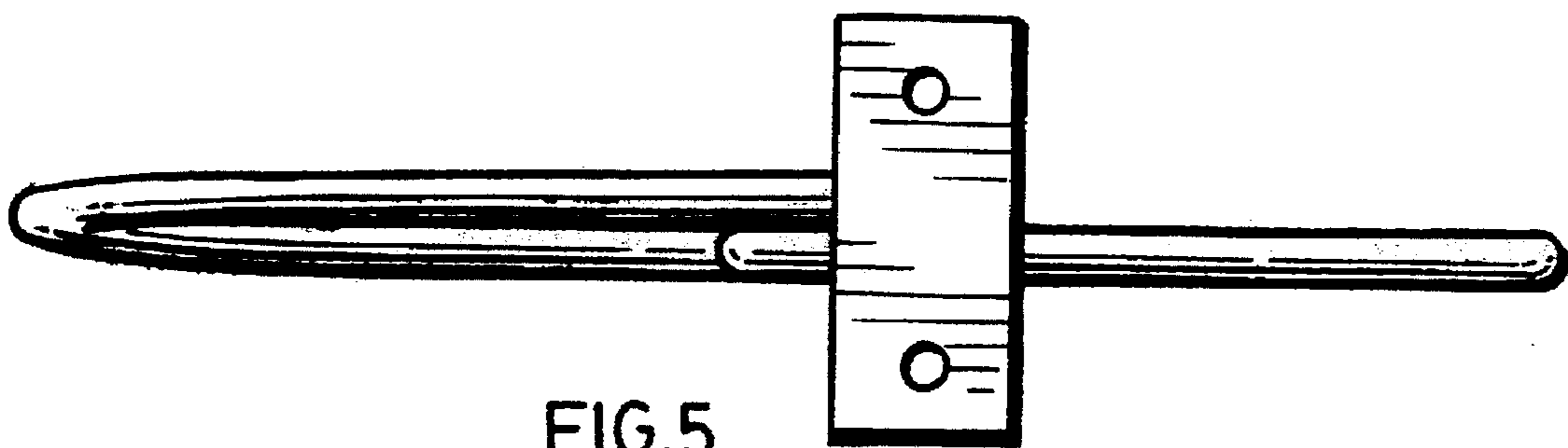


FIG. 5

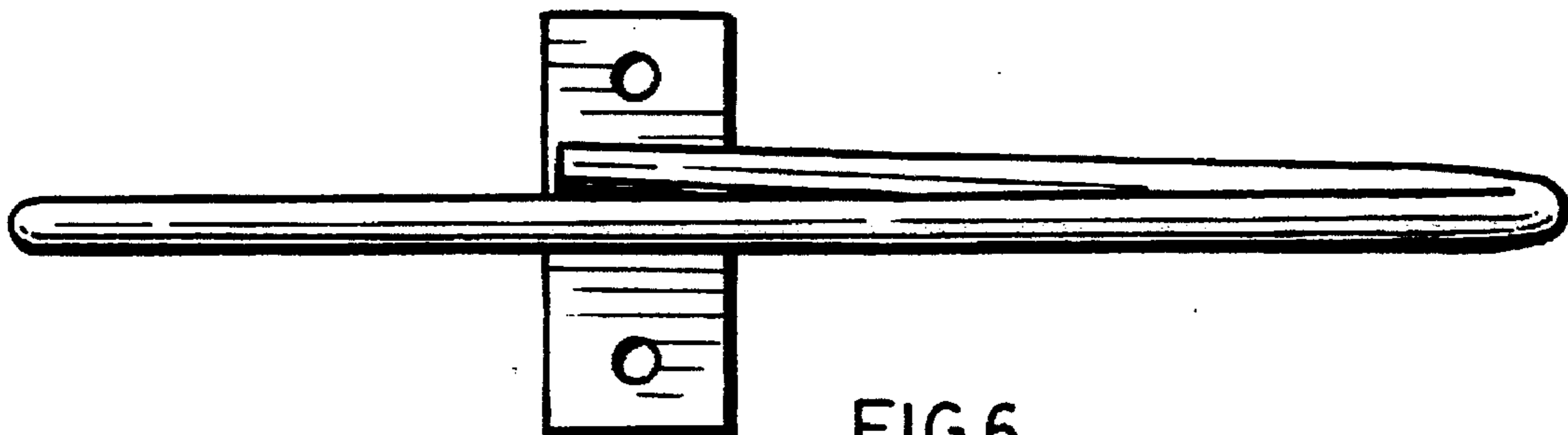


FIG. 6