



US00D379917S

United States Patent [19]

Vetter et al.

[11] Patent Number: **Des. 379,917**

[45] Date of Patent: ****Jun. 17, 1997**

[54] OPERATOR HANDLE

[75] Inventors: **Gregory J. Vetter**, Owatonna; **Valerie M. Baldwin**, Albert Lea; **Perry L. Virkler**, Owatonna, all of Minn.

[73] Assignee: **Truth Hardware Corporation**, Owatonna, Minn.

[**] Term: **14 Years**

[21] Appl. No.: **42,936**

[22] Filed: **Aug. 21, 1995**

Related U.S. Application Data

[63] Continuation-in-part of Ser. No. 22,601, May 9, 1994, Pat. No. Des. 361,490.

[51] LOC (6) Cl. **08-06**

[52] U.S. Cl. **D8/308**

[58] Field of Search D8/307, 308, 309, D8/400; 16/110 R, 111 R; 74/523, 545, 546, 547; 49/324, 338; 292/347

[56] References Cited

U.S. PATENT DOCUMENTS

Re. 26,508	12/1968	Stavenau et al. .	
D. 360,357	7/1995	Peterson et al.	D8/309 X
D. 361,490	8/1995	Vetter	D8/309
D. 369,741	5/1996	Harrison et al.	D8/309 X
2,290,807	7/1942	Keeler et al.	292/347 X
2,824,735	2/1958	Stavenau et al. .	
2,977,810	4/1961	Stavenau .	
3,032,330	5/1962	Stavenau .	
3,258,874	7/1966	Martin .	
3,457,675	7/1969	Armstrong .	
4,083,264	4/1978	Van Klompenburg .	
4,253,276	3/1981	Peterson et al. .	
4,937,976	7/1990	Tucker et al. .	

FOREIGN PATENT DOCUMENTS

75881	3/1995	Canada .
1527723	10/1978	United Kingdom .

OTHER PUBLICATIONS

- Truth Brochure for "Lever Operator" (p. 4), undated.
- Truth Brochure for "Roto Gear Awning Operator" (p. 5), undated.
- Truth Brochure for "Entrygard Dyad Operator" (p. 7), undated.
- Truth Brochure for "Split Arm Operator" (p. 8), undated.
- Truth Brochure for "Concealed Casement Hardware-Operator" (p. 8.1), undated.
- Truth Brochure for "Single Arm Operator (Surface-Mount)" (p. 9), undated.
- Truth Brochure for "Pivot Shoe Roto Operator" (pp. 3-3a), ©1988.
- Truth Brochure for "Single Arm Operator (Face-Mount)" (pp. 4-4a), undated.
- Truth Brochure for "Dyad Operator" (p. 5), undated.
- Truth Brochure for "Washability Casement Package" (pp. 6-6a), undated.
- Truth Brochure for "Entrygard Single Arm Operator" (pp. 3.7-3.7c), ©1993.
- Blaine Window Hardware Cat., p. 24, Crank Handle 327, ©1982.

Primary Examiner—Paula A. Mortimer
Attorney, Agent, or Firm—Wood, Phillips, VanSanten, Clark & Mortimer

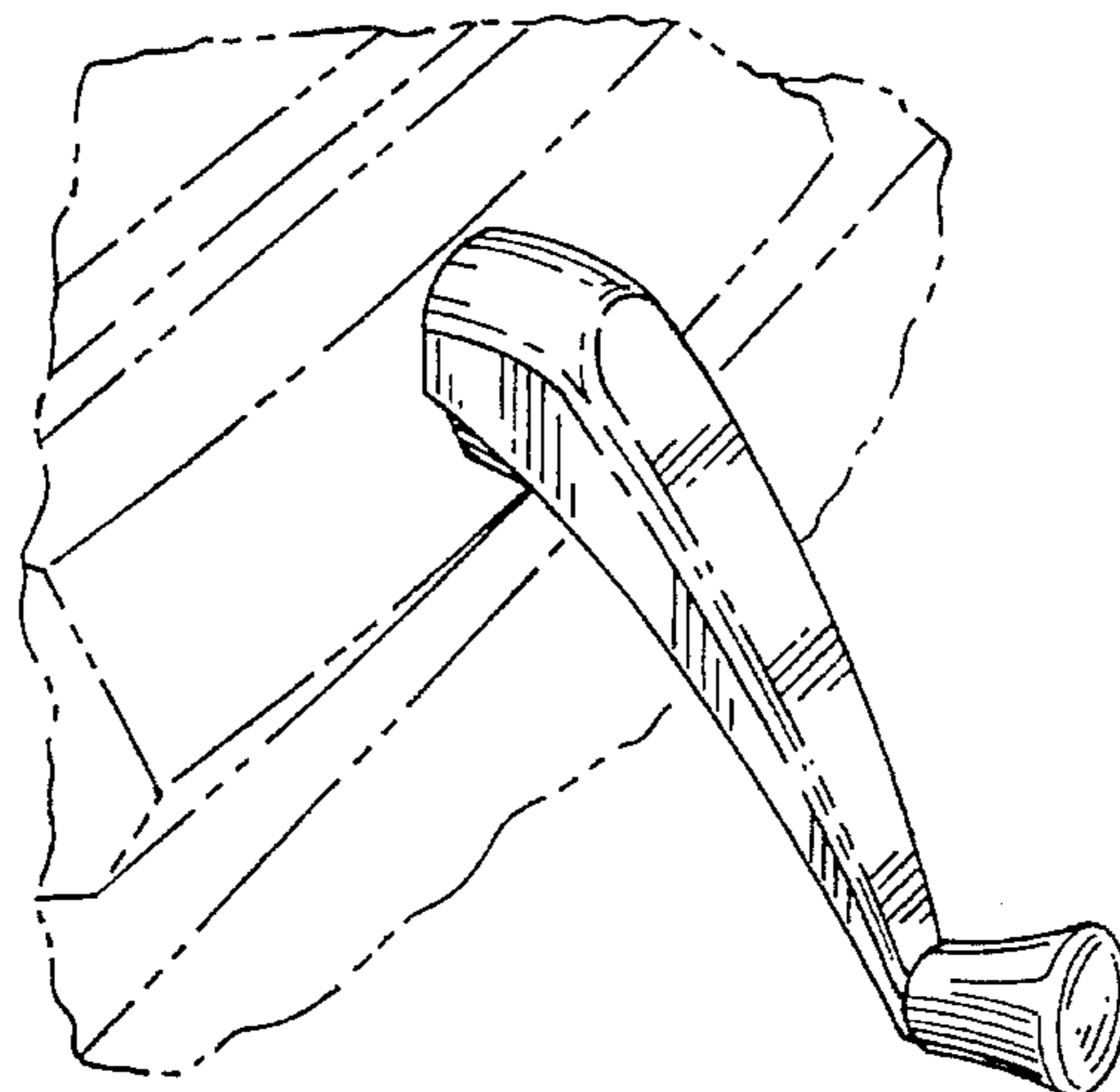
[57] CLAIM

The ornamental design of an operator handle, as shown and described.

DESCRIPTION

FIG. 1 is a perspective view of the operator handle in an operative position relative to an exemplary operator cover and window frame partially shown in phantom; FIG. 2 is a top view of the operator handle; FIG. 3 is a left side view of the operator handle, the side opposite being a mirror image; FIG. 4 is a front view of the operator handle; FIG. 5 is a bottom view of the operator handle; and, FIG. 6 is a rear view of the operator handle. The broken lines in FIGS. 5 and 6 surround interior surfaces of the handle design which do not form a portion of the claimed design.

1 Claim, 1 Drawing Sheet



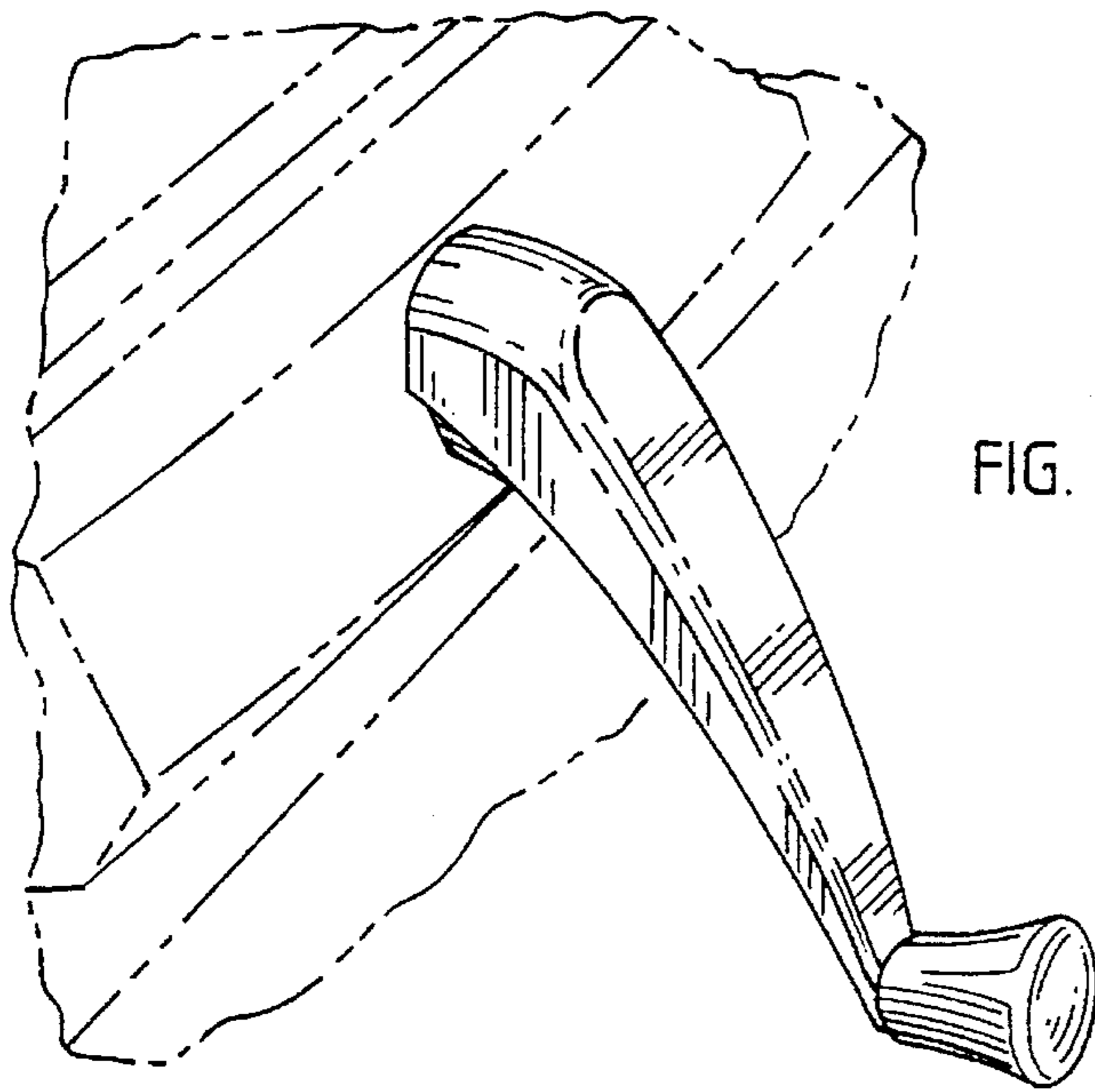


FIG. 1



FIG. 2

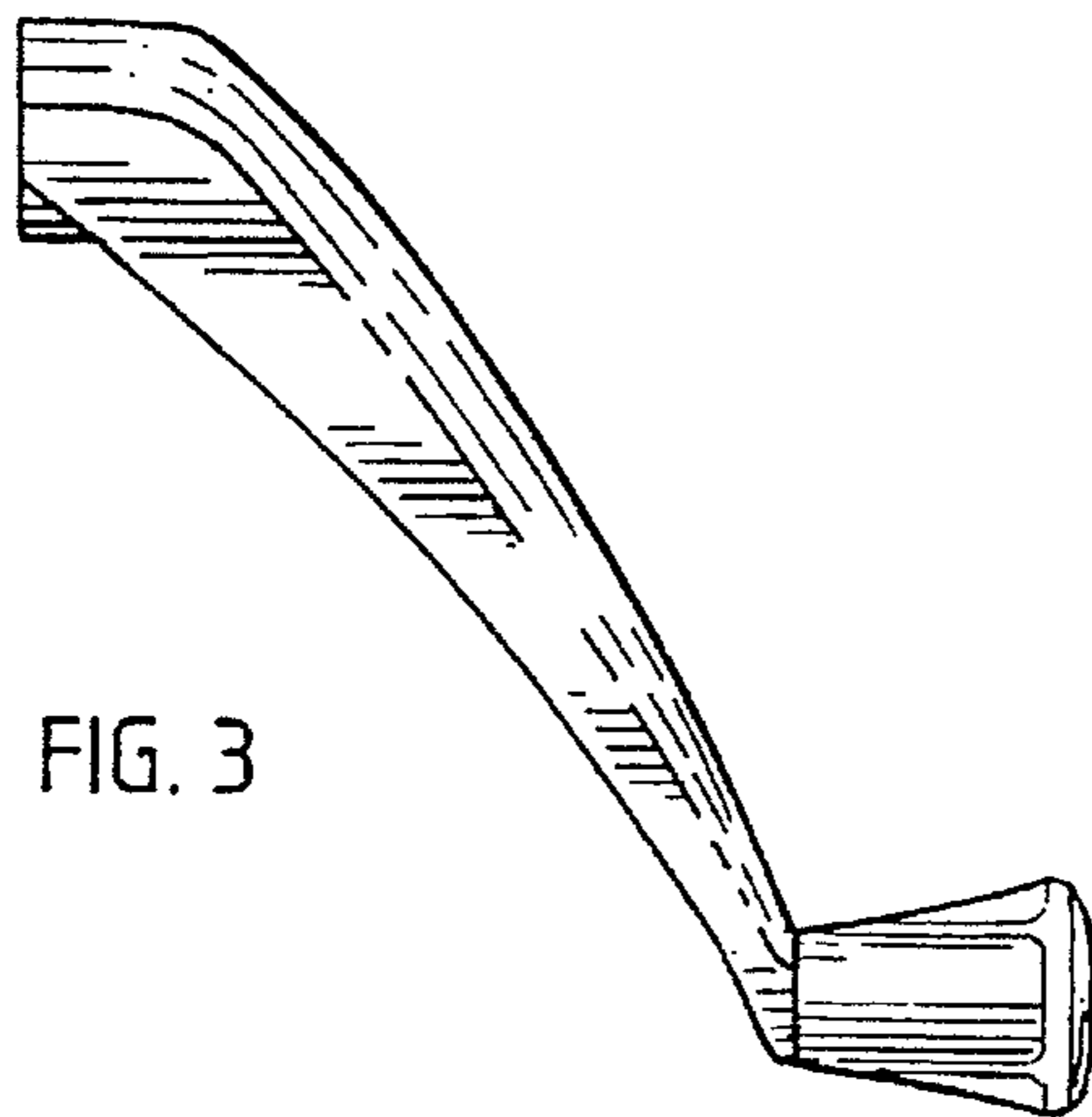


FIG. 3

FIG. 4



FIG. 6



FIG. 5

