



US00D379916S

United States Patent [19]
Chung

[11] **Patent Number: Des. 379,916**

[45] **Date of Patent: **Jun. 17, 1997**

[54] **DOORKNOB**

5,481,890 1/1996 Millman 292/336.3 X
5,484,179 1/1996 Mader 292/336.3

[76] **Inventor: Tien-Ho Chung**, No. 294, Tao-Chou Rd., Ho-Mei chen, Changhua, Taiwan

Primary Examiner—Paula A. Mortimer
Attorney, Agent, or Firm—Bacon & Thomas

[**] **Term: 14 Years**

[57] **CLAIM**

[21] **Appl. No.: 39,766**

The ornamental design for doorknob, as shown and described.

[22] **Filed: Jun. 5, 1995**

DESCRIPTION

[51] **LOC (6) Cl. 08-06**

[52] **U.S. Cl. D8/308**

[58] **Field of Search D8/301, 308, 302; 74/523; 70/448, 450, 452; 292/336.3**

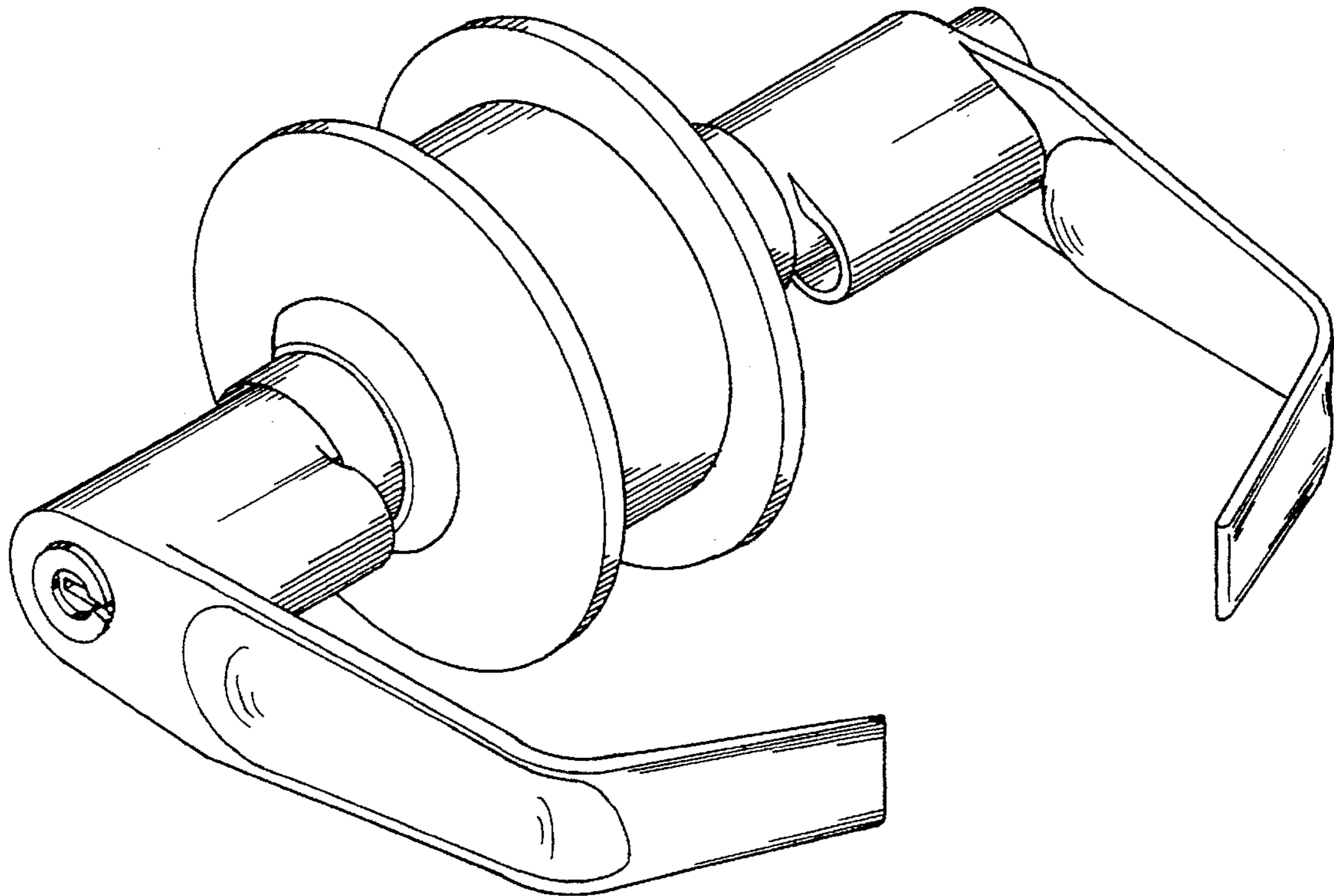
FIG. 1 is a perspective view of doorknob showing my new design thereof;
FIG. 2 is a front elevational view thereof;
FIG. 3 is a rear elevational view thereof;
FIG. 4 is a left side elevational view thereof;
FIG. 5 is a right side elevational view thereof;
FIG. 6 is a top plan view thereof; and,
FIG. 7 is a bottom plan view thereof.

[56] **References Cited**

U.S. PATENT DOCUMENTS

4,838,053 6/1989 Shen 292/336.3 X
5,177,987 1/1993 Shen 292/336.3 X
5,364,139 11/1994 Bergen et al. 292/336.3 X

1 Claim, 5 Drawing Sheets



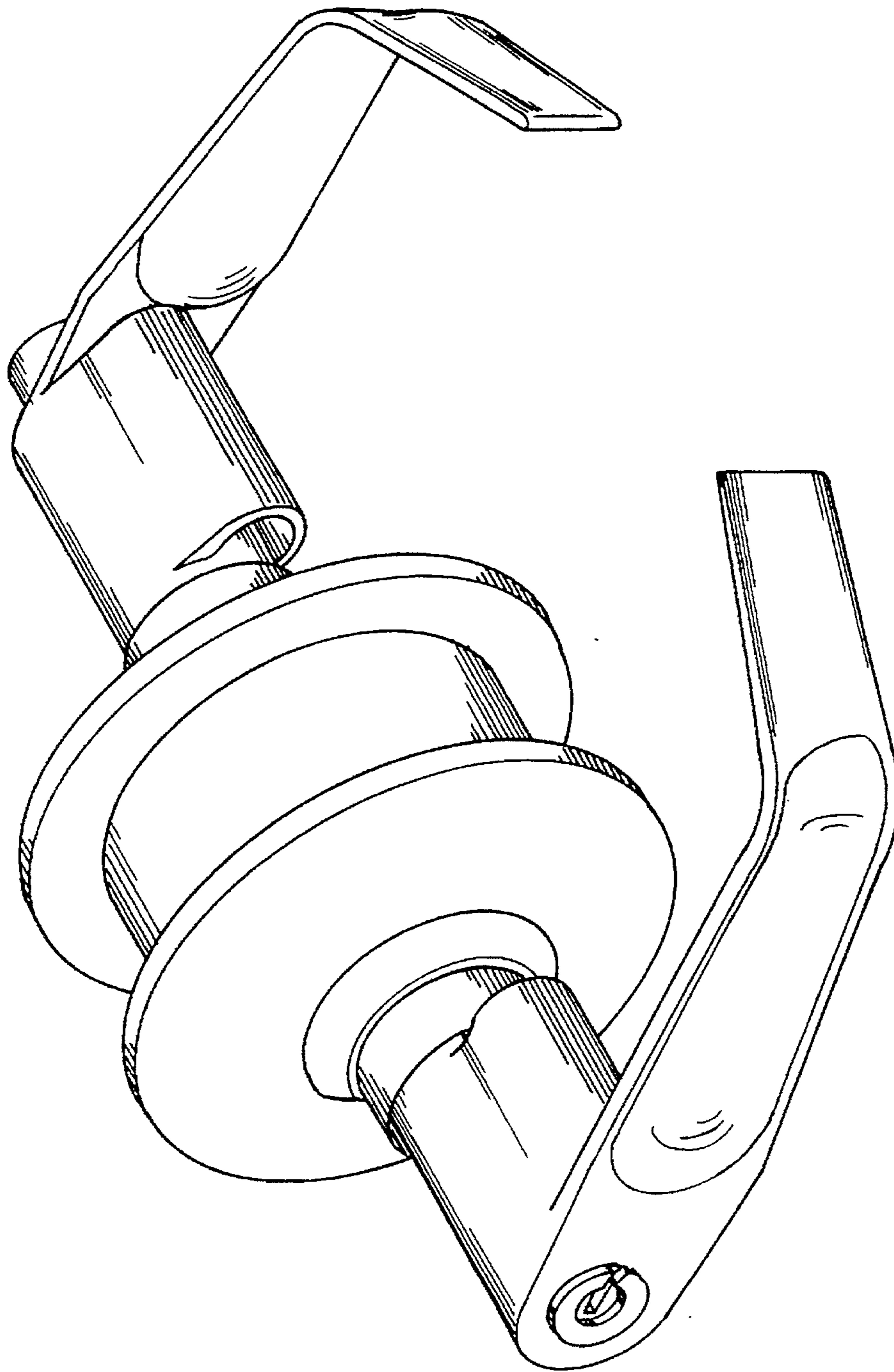


Fig. 1

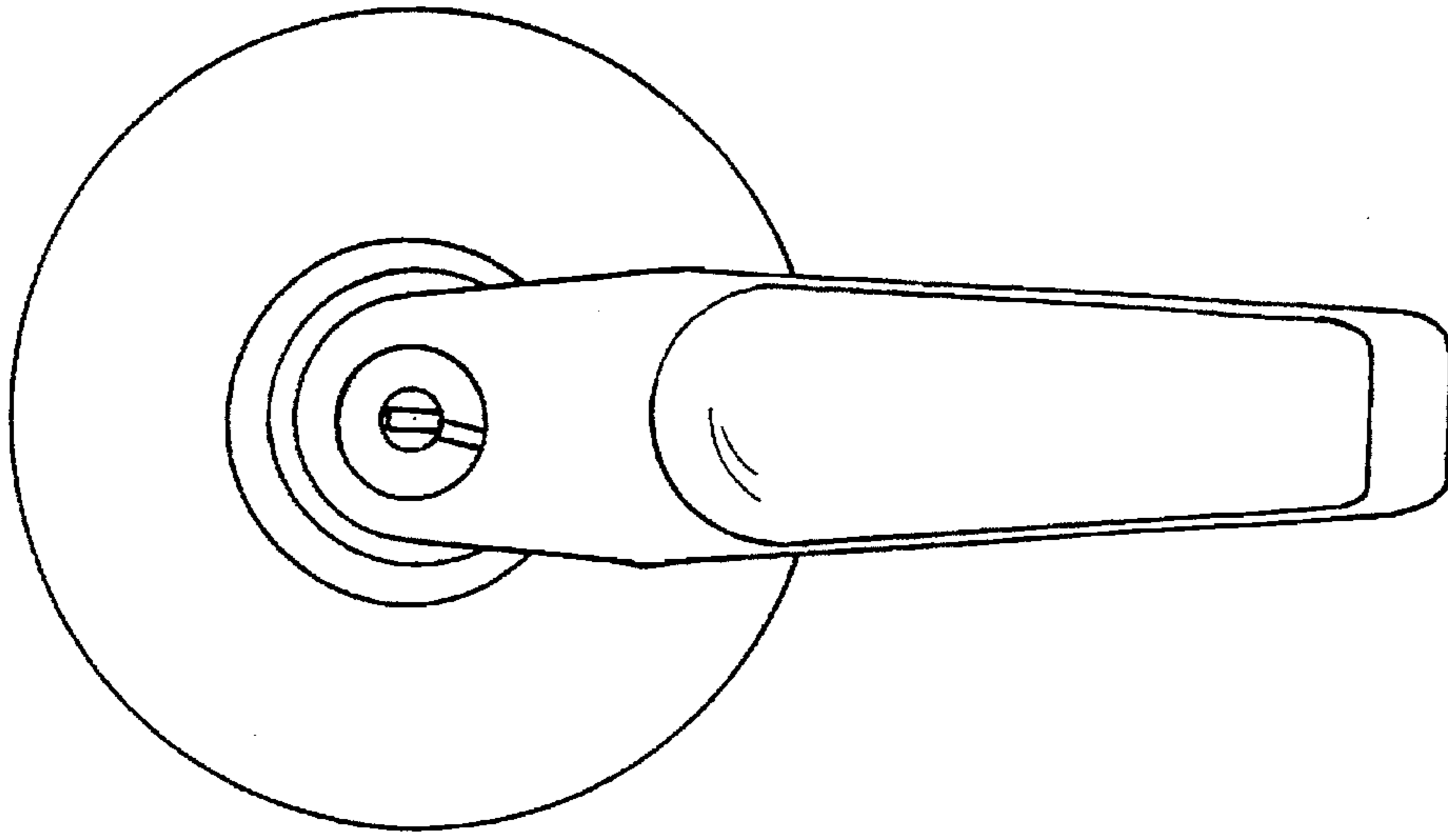


Fig . 2

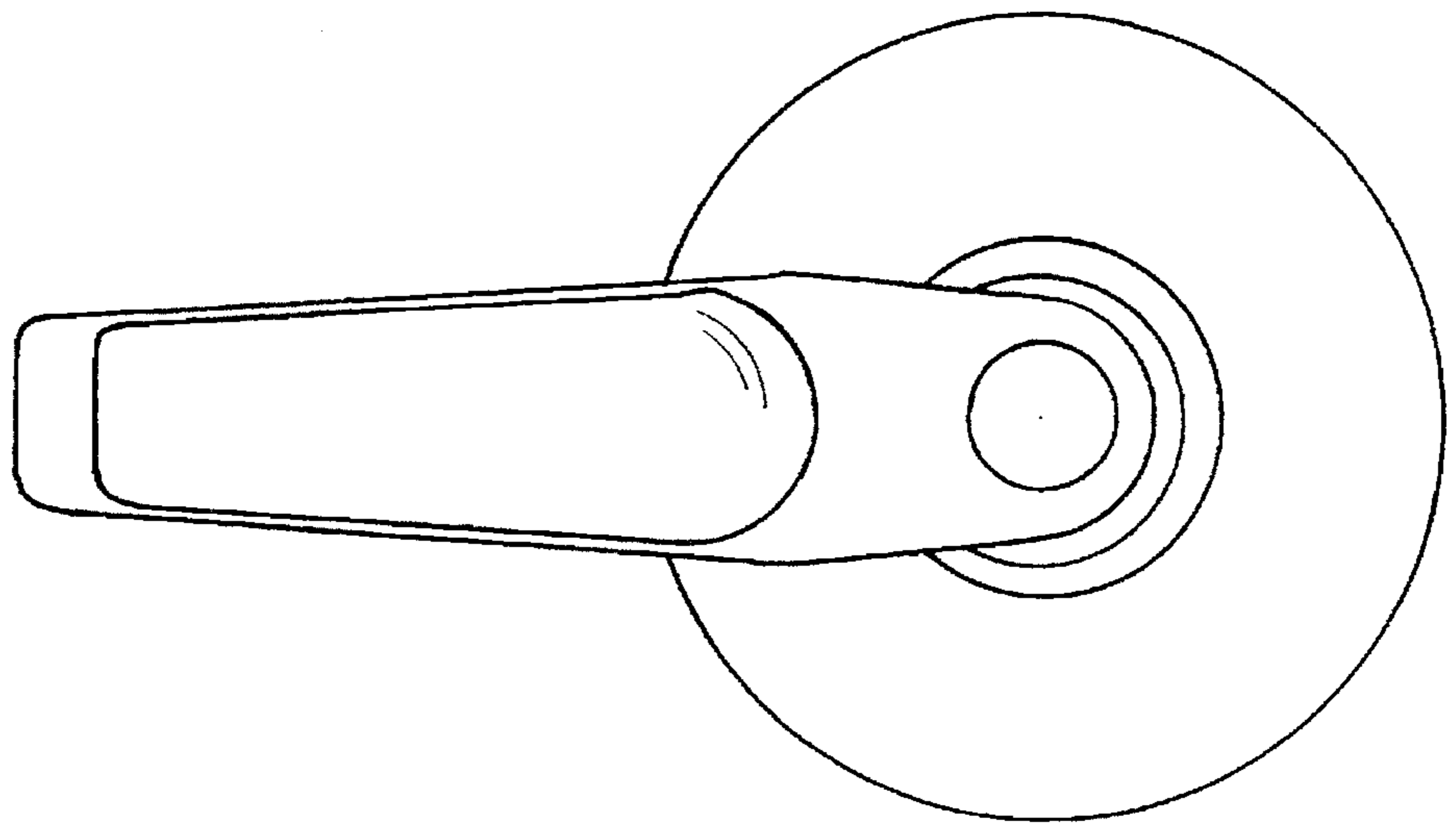


Fig . 3

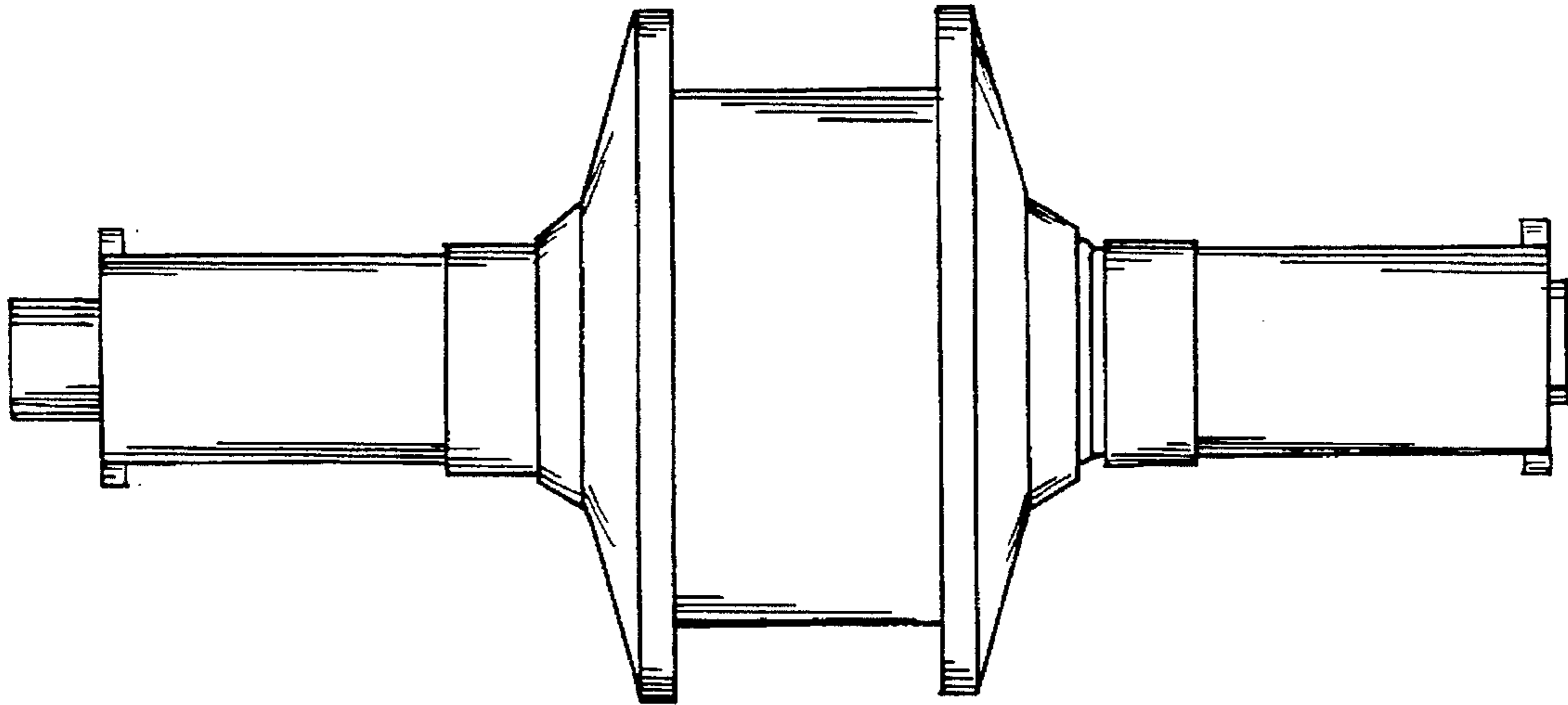


Fig . 4

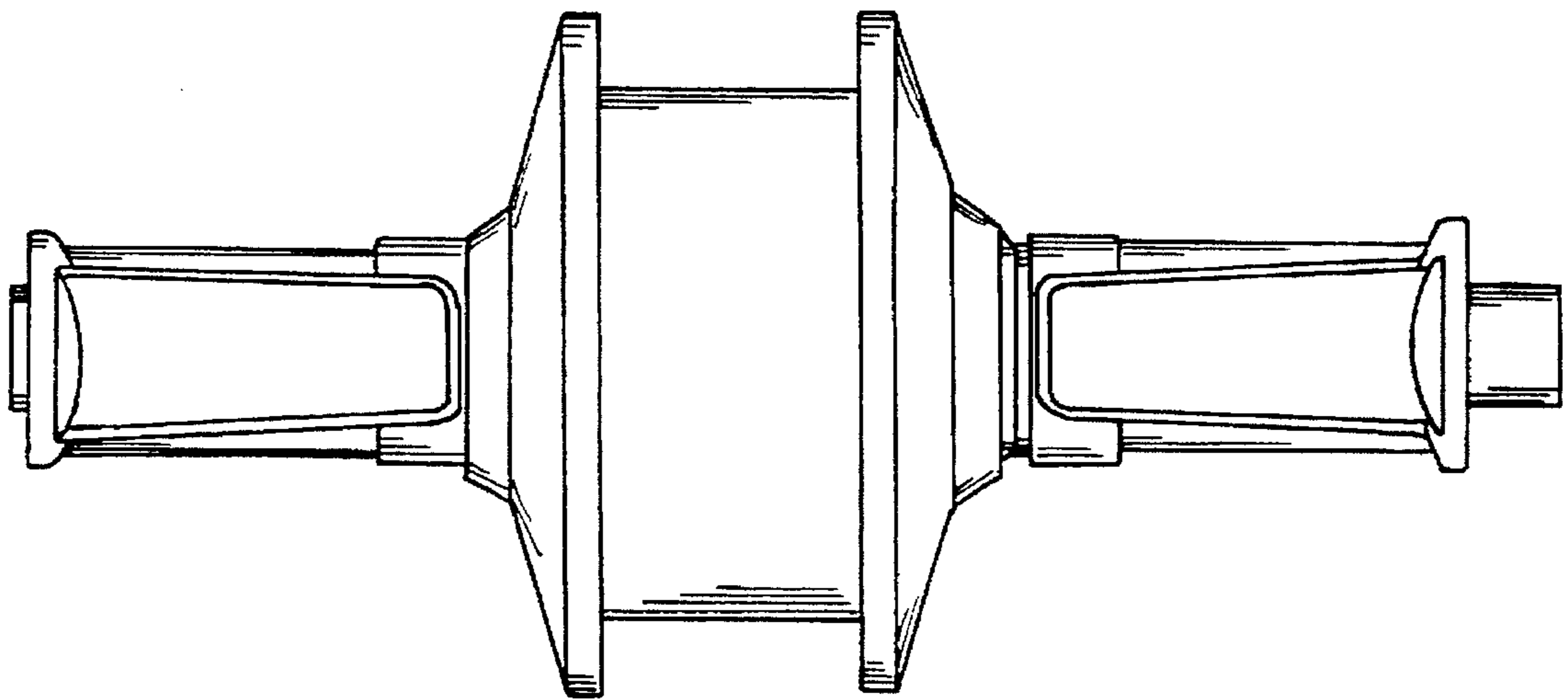


Fig . 5

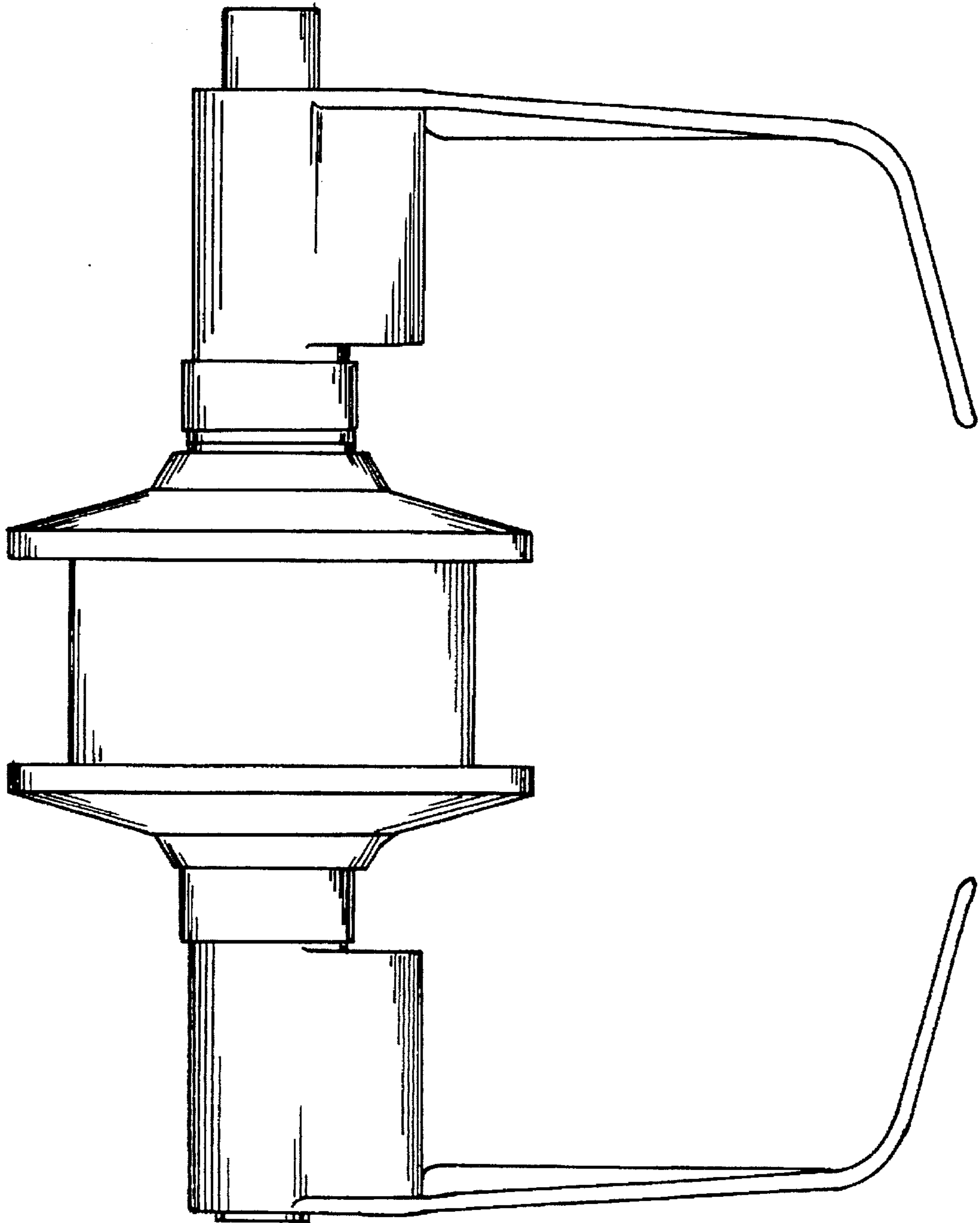


Fig . 6

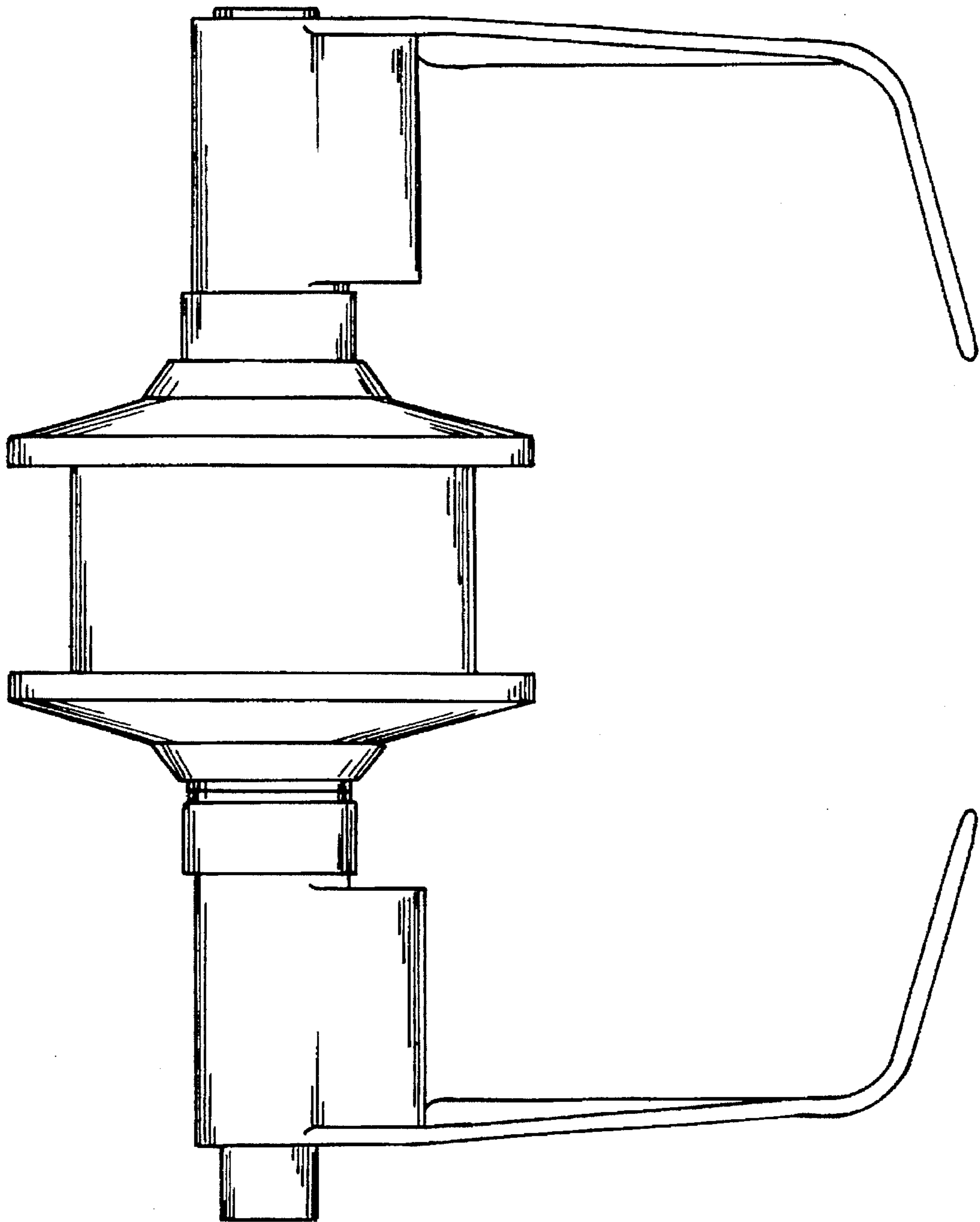


Fig . 7