



US00D379915S

United States Patent [19]

[11] Patent Number: **Des. 379,915**

Ball, Jr. et al.

[45] Date of Patent: ****Jun. 17, 1997**

[54] **SANITARY HANDLE**

[76] Inventors: **Robert H. Ball, Jr.**, 130 Colony La.;
Penn M. Miller, 155 Aaron Rd., both
of Elkin, N.C. 28621

[**] Term: **14 Years**

[21] Appl. No.: **36,026**

[22] Filed: **Mar. 10, 1995**

[51] LOC (6) Cl. **08-06**

[52] U.S. Cl. **D8/306**

[58] Field of Search D8/300, 306, 307,
D8/320; D23/303; 16/110 R, 124, 125,
126; 4/254, 576.1

[56] **References Cited**

U.S. PATENT DOCUMENTS

D. 119,418 3/1940 Anderson et al. D8/306
D. 179,612 1/1957 Rinke D8/306

D. 213,054 12/1968 Brewer D8/320
1,232,415 7/1917 Whitney 16/110 R
4,563,783 1/1986 Jenkins 4/576.1
4,589,163 5/1986 Weatherby et al. 16/124

Primary Examiner—B. J. Bullock

[57] **CLAIM**

The ornamental design for a sanitary handle, as shown and described.

DESCRIPTION

FIG. 1 is a front elevational view of the sanitary handle showing my new design;
FIG. 2 is a rear elevational view thereof;
FIG. 3 is a left side elevational view thereof;
FIG. 4 is a right side elevational view thereof;
FIG. 5 is a top plan view thereof;
FIG. 6 is a bottom plan view thereof; and,
FIG. 7 is an isometric view thereof.

1 Claim, 4 Drawing Sheets

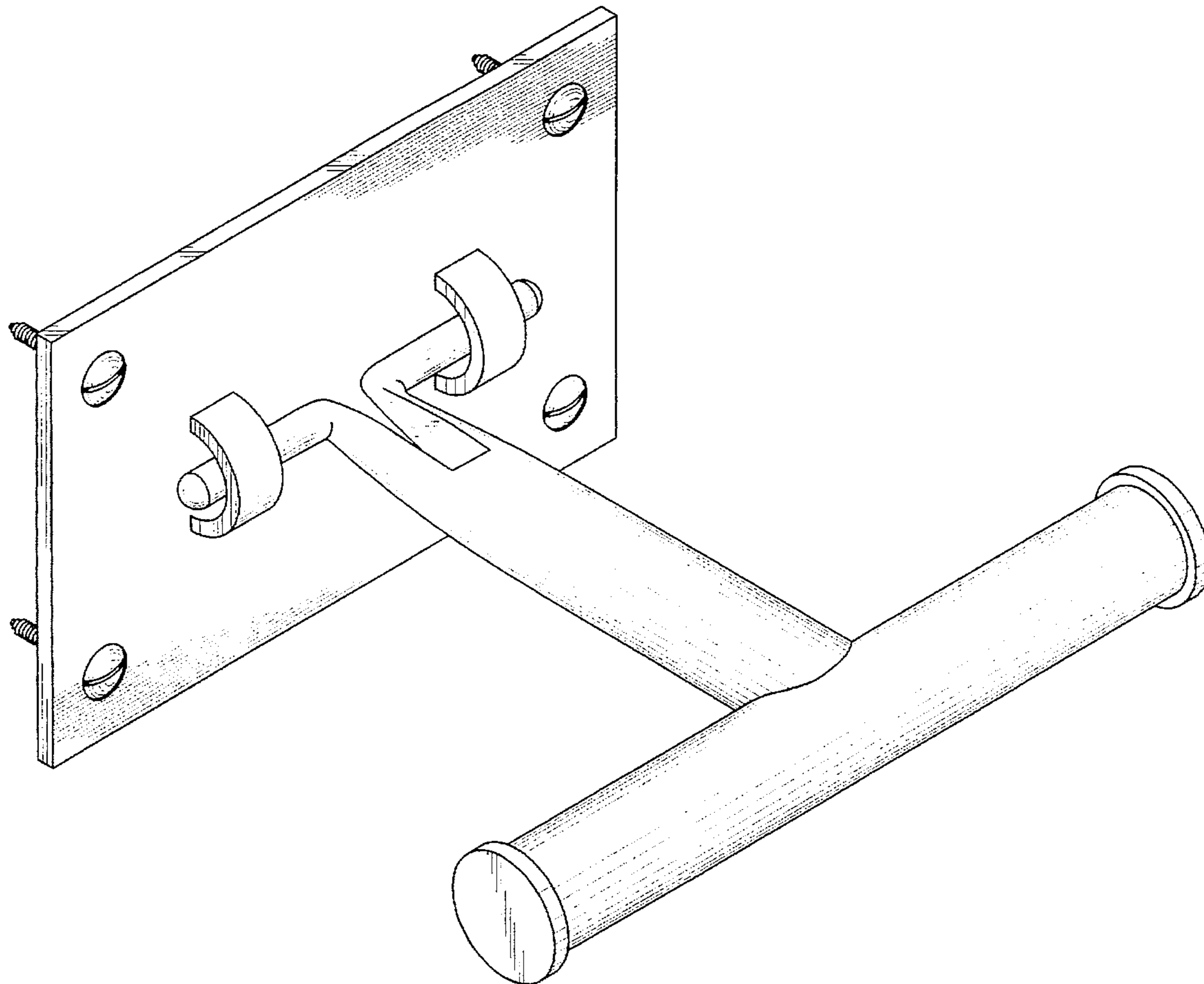


FIG. 1

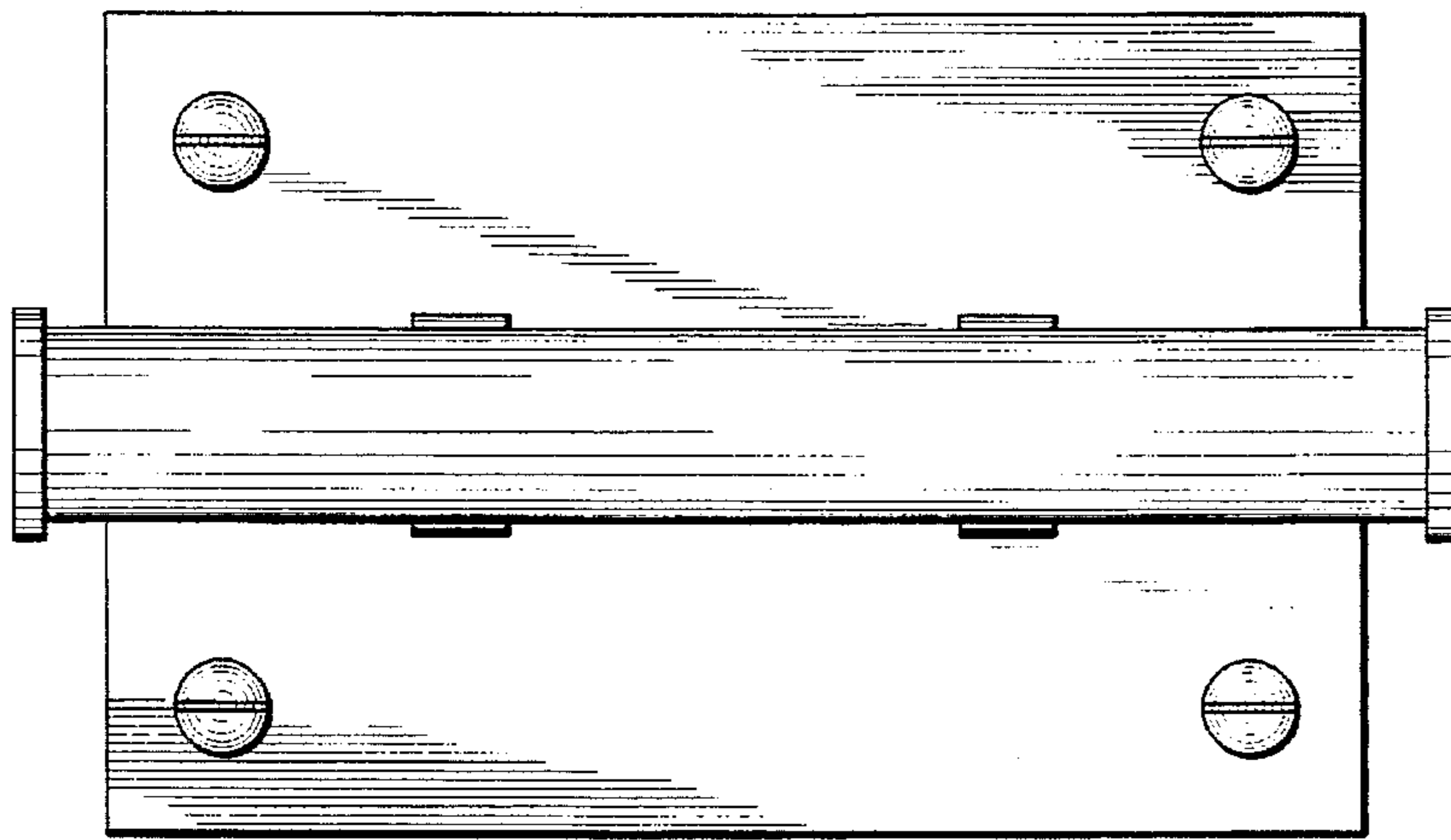


FIG. 2

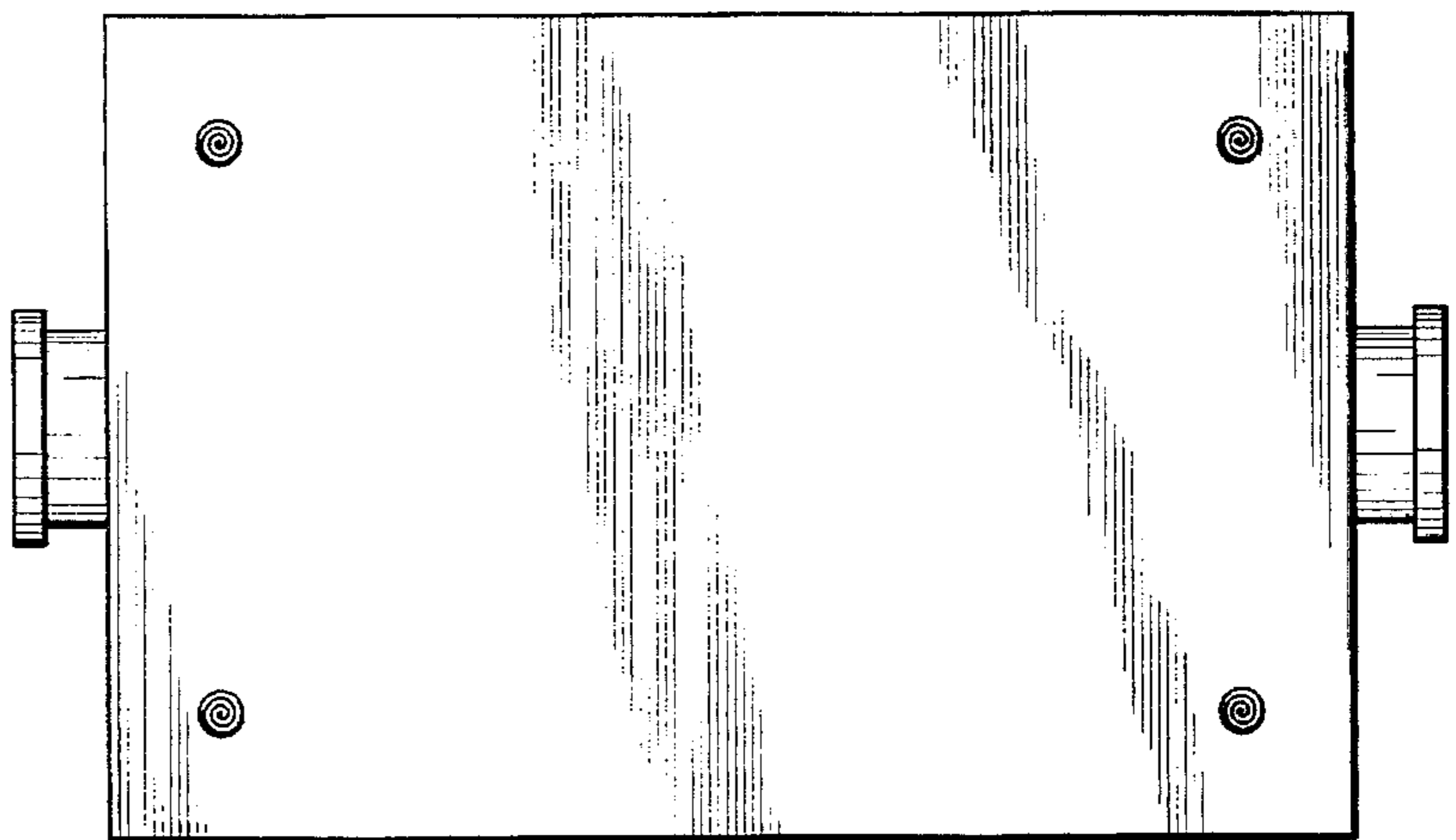


FIG. 3

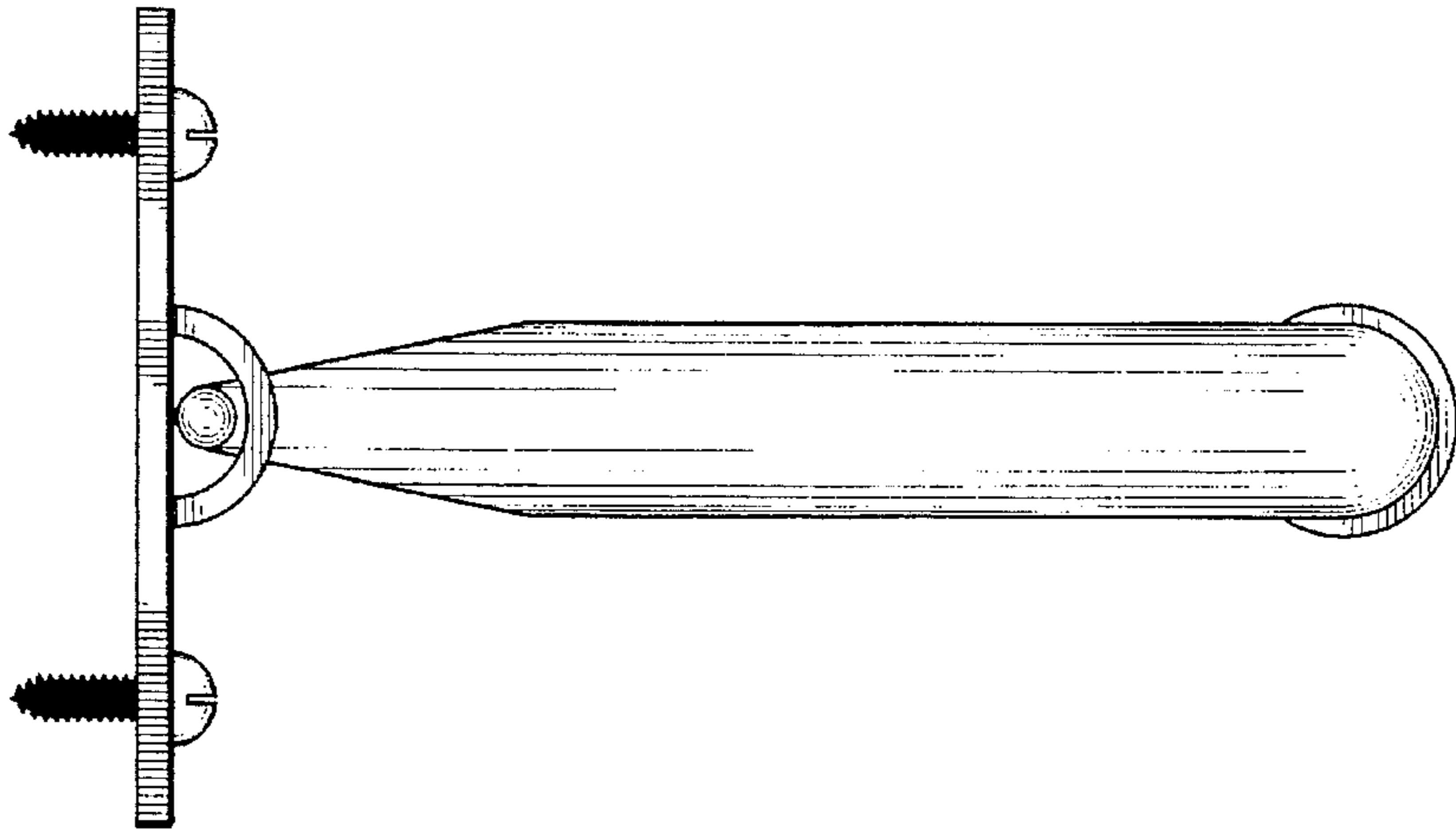


FIG. 4

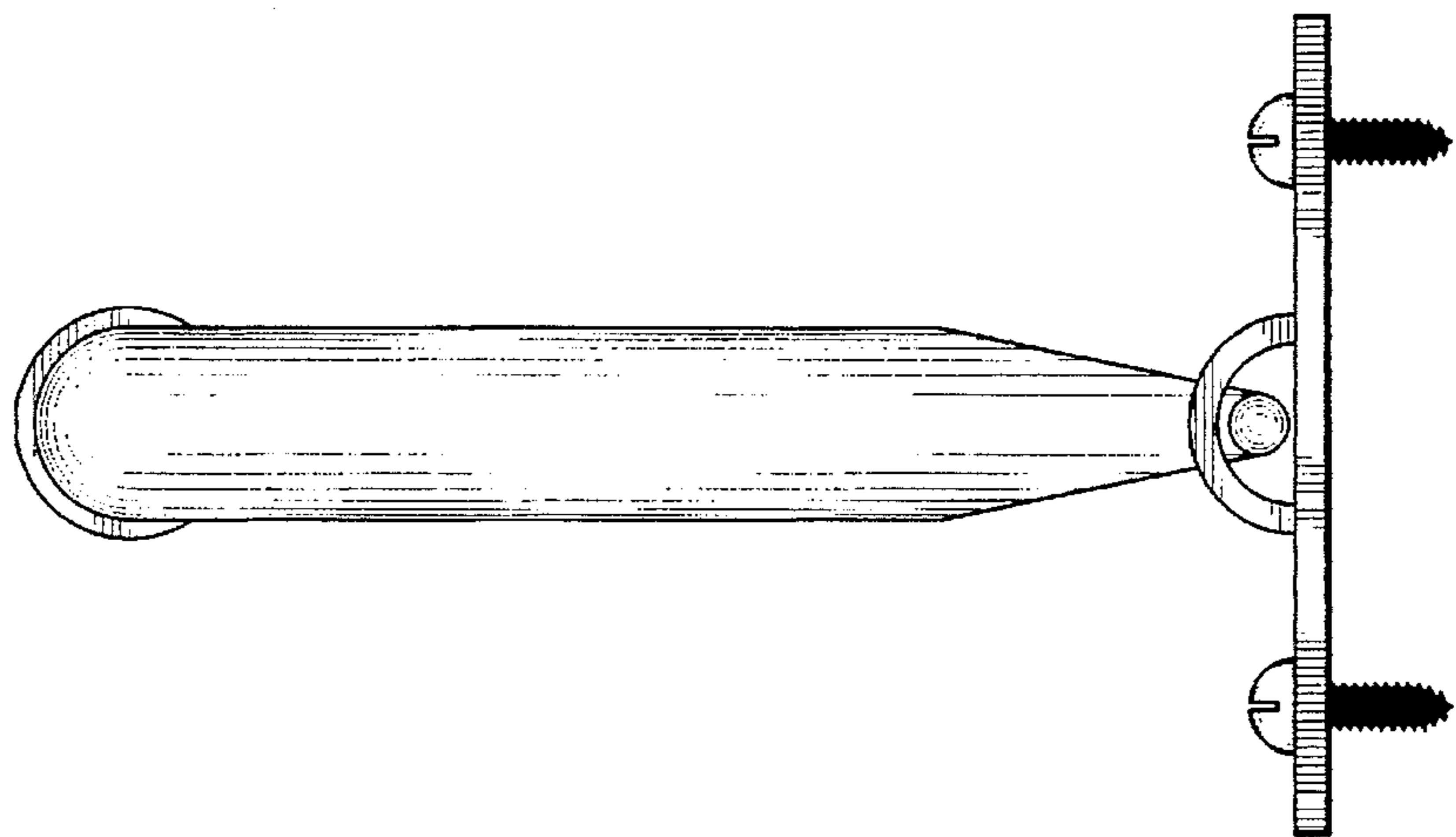


FIG. 5

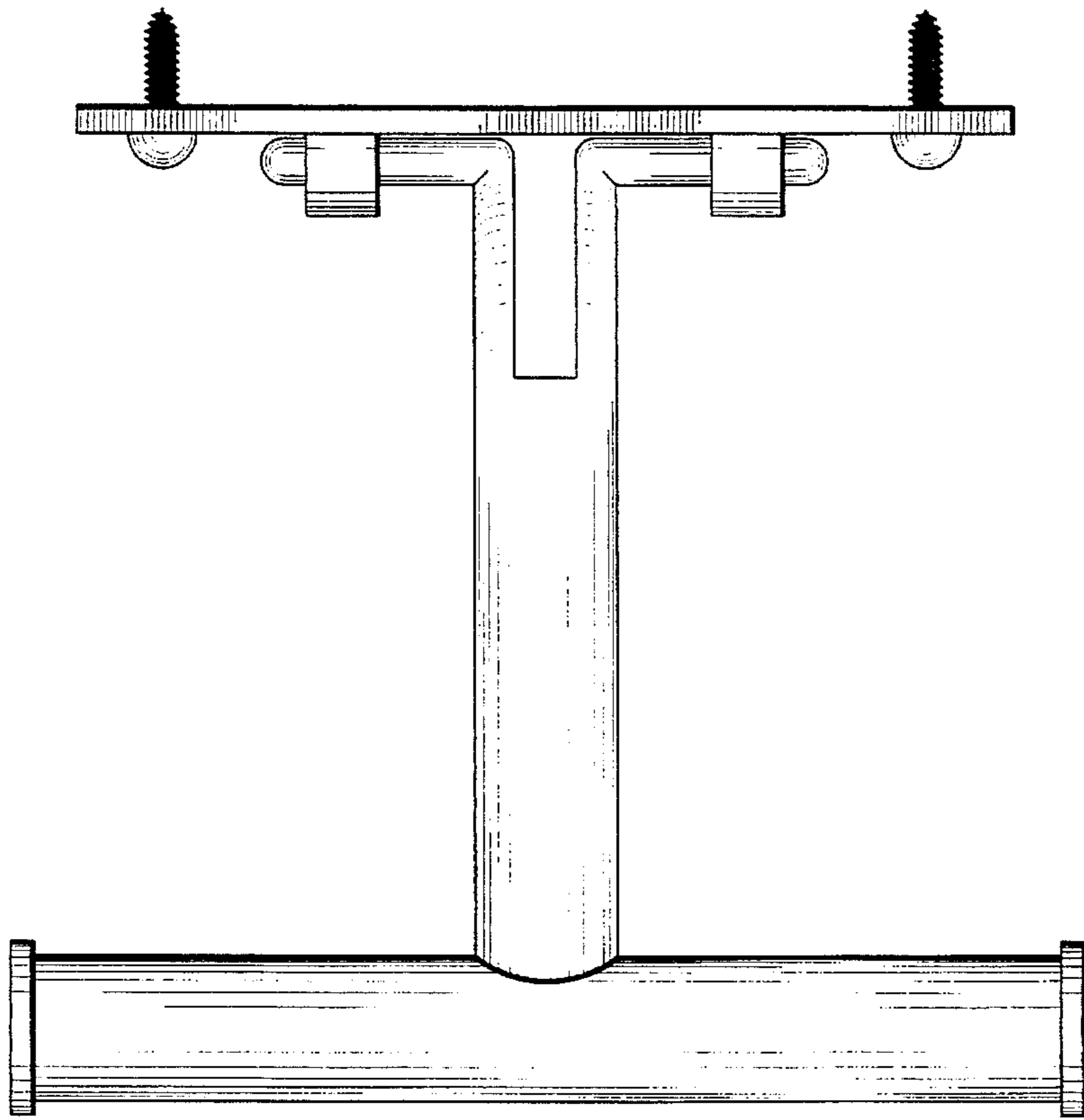


FIG. 6

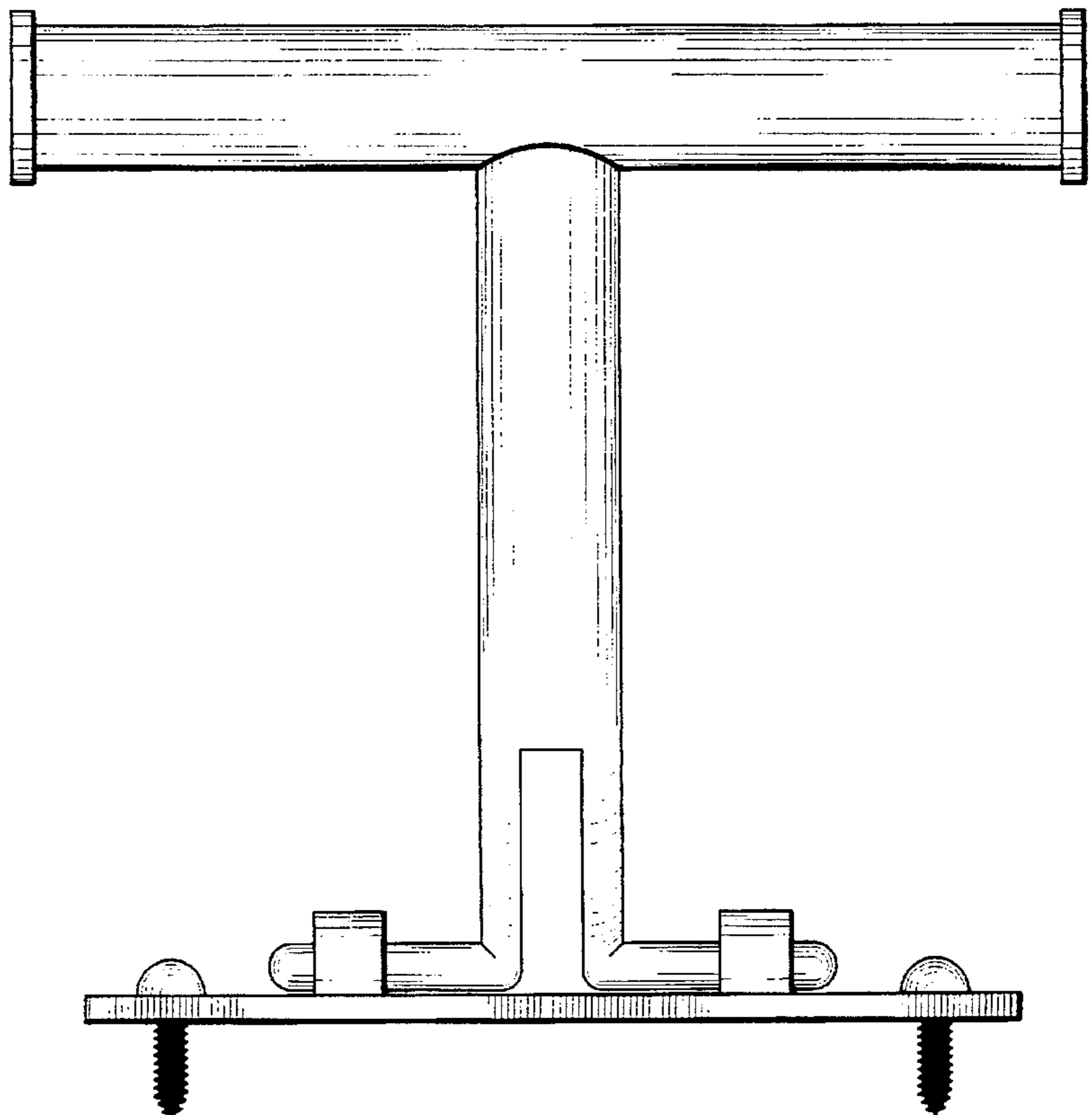


FIG. 7

