



US00D379912S

United States Patent [19]

Burke et al.

[11] Patent Number: **Des. 379,912**

[45] Date of Patent: ****Jun. 17, 1997**

[54] **PNEUMATIC COIL NAILER**

[75] Inventors: **John T. Burke**, Williamsburg; **John P. Crutcher**, Cincinnati; **Kathleen P. Nihart**, Georgetown; **Daniel A. Oliver**, Cincinnati, all of Ohio

[73] Assignee: **Senco Products, Inc.**, Cincinnati, Ohio

[**] Term: **14 Years**

[21] Appl. No.: **50,863**

[22] Filed: **Feb. 28, 1996**

[51] LOC (6) Cl. **15-99**

[52] U.S. Cl. **D8/68; D8/61**

[58] Field of Search D8/61, 68, 69;
227/8, 111, 112, 113, 114, 115, 120, 130,
136, 148, 156

[56] **References Cited**

U.S. PATENT DOCUMENTS

D. 211,207	5/1968	Bader	D54/14
D. 307,234	4/1990	Fushiya et al.	D8/69
D. 316,022	4/1991	Moraht	D8/69
D. 323,964	2/1992	Ogawa et al.	D8/69
D. 332,561	1/1993	Fushiya et al.	D8/69
D. 334,329	3/1993	Ogawa et al.	D8/68
D. 337,252	7/1993	Tsuru et al.	D8/69
D. 338,606	8/1993	Oda	D8/69
D. 338,818	8/1993	Katsuba	D8/62
D. 338,819	8/1993	Ohkochi	D8/69
D. 350,681	9/1994	Juhlin et al.	D8/69
D. 353,664	12/1994	Eminger et al. .	
D. 358,749	5/1995	Matsunaga et al.	D8/69
D. 365,974	1/1996	Matuschek	D8/69

D. 368,216	3/1996	Hattori	D8/61 X
3,330,462	7/1967	Colechia et al.	227/136
3,543,987	12/1970	Obergfell et al.	227/136
3,703,981	11/1972	Smith	227/136
3,708,097	1/1973	Fisher	227/136
4,585,154	4/1986	Fealey et al.	227/109
4,600,135	7/1986	Mukoyama	227/120
4,619,393	10/1986	Maurer	227/136
4,669,648	6/1987	Monacelli	227/109
5,217,153	6/1993	Yamamoto et al.	227/130
5,240,161	8/1993	Kaneko	227/109
5,267,682	12/1993	Qkouchi	227/120 X

OTHER PUBLICATIONS

Operating Instructions, Senco SCN 200R; Aug. 1, 1991.
Operating Instructions, Senco SCN 250D, Mar. 4, 1991.

Primary Examiner—Antoine Duval Davis
Attorney, Agent, or Firm—Jerrold J. Litzinger

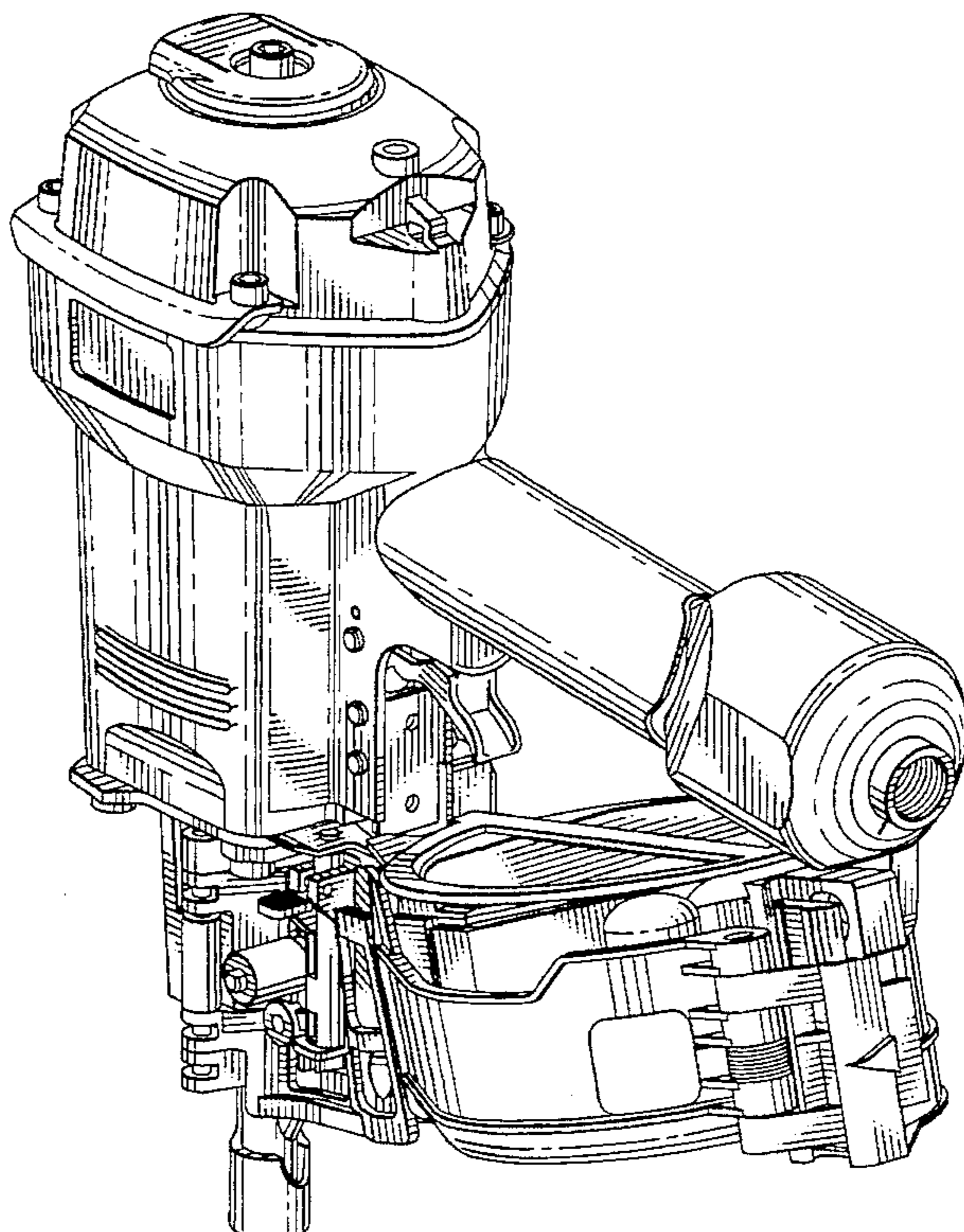
[57] **CLAIM**

The ornamental design for a pneumatic coil nailer, as shown and described.

DESCRIPTION

FIG. 1 is a perspective view of a pneumatic coil nailer showing our new design, looking at the top, rear, and left side;
FIG. 2 is a left side elevational view thereof;
FIG. 3 is a top plan view thereof;
FIG. 4 is a rear elevational view thereof;
FIG. 5 is a bottom plan view thereof;
FIG. 6 is a front elevational view thereof; and,
FIG. 7 is a right side elevational view thereof.

1 Claim, 7 Drawing Sheets



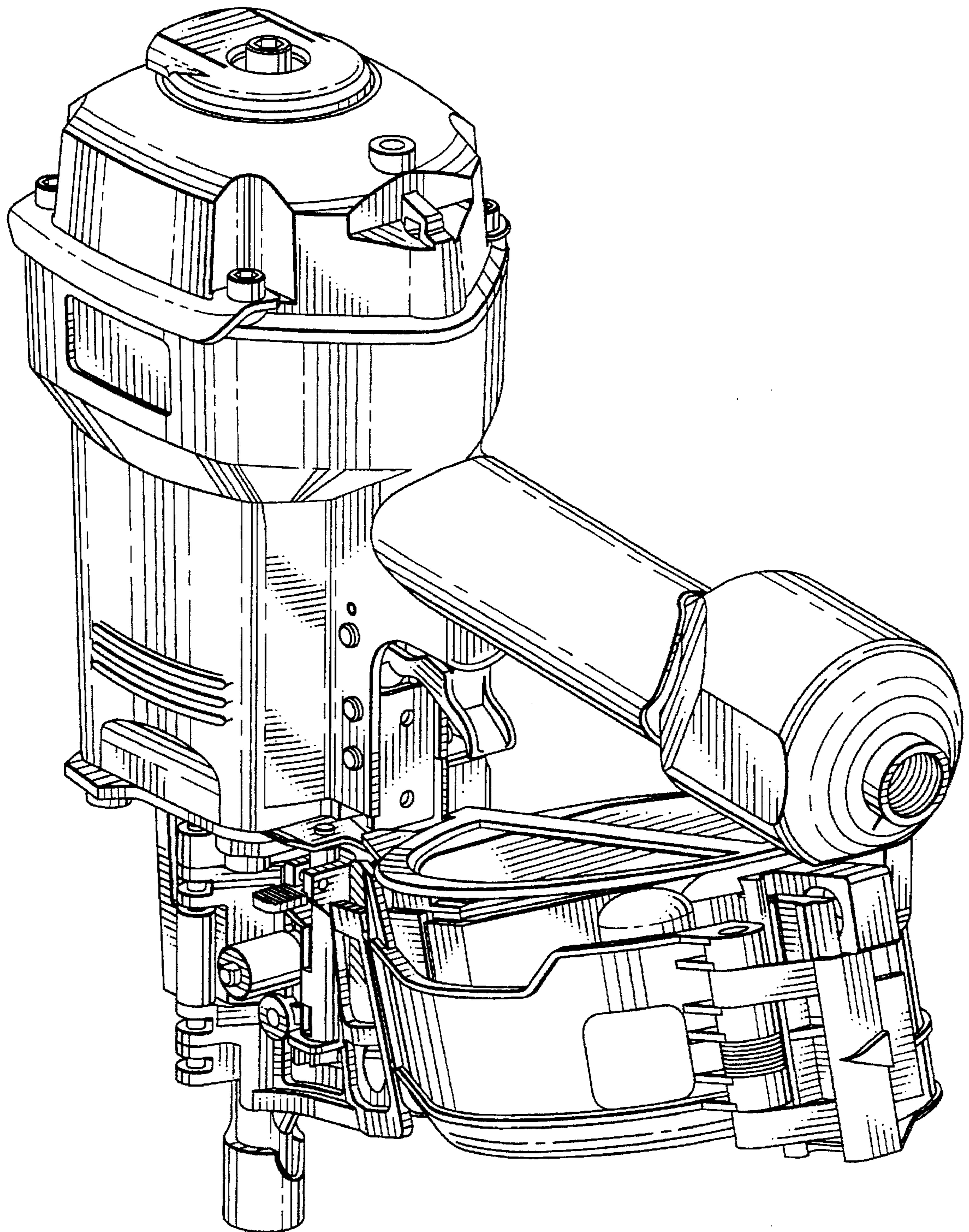


FIG. 1

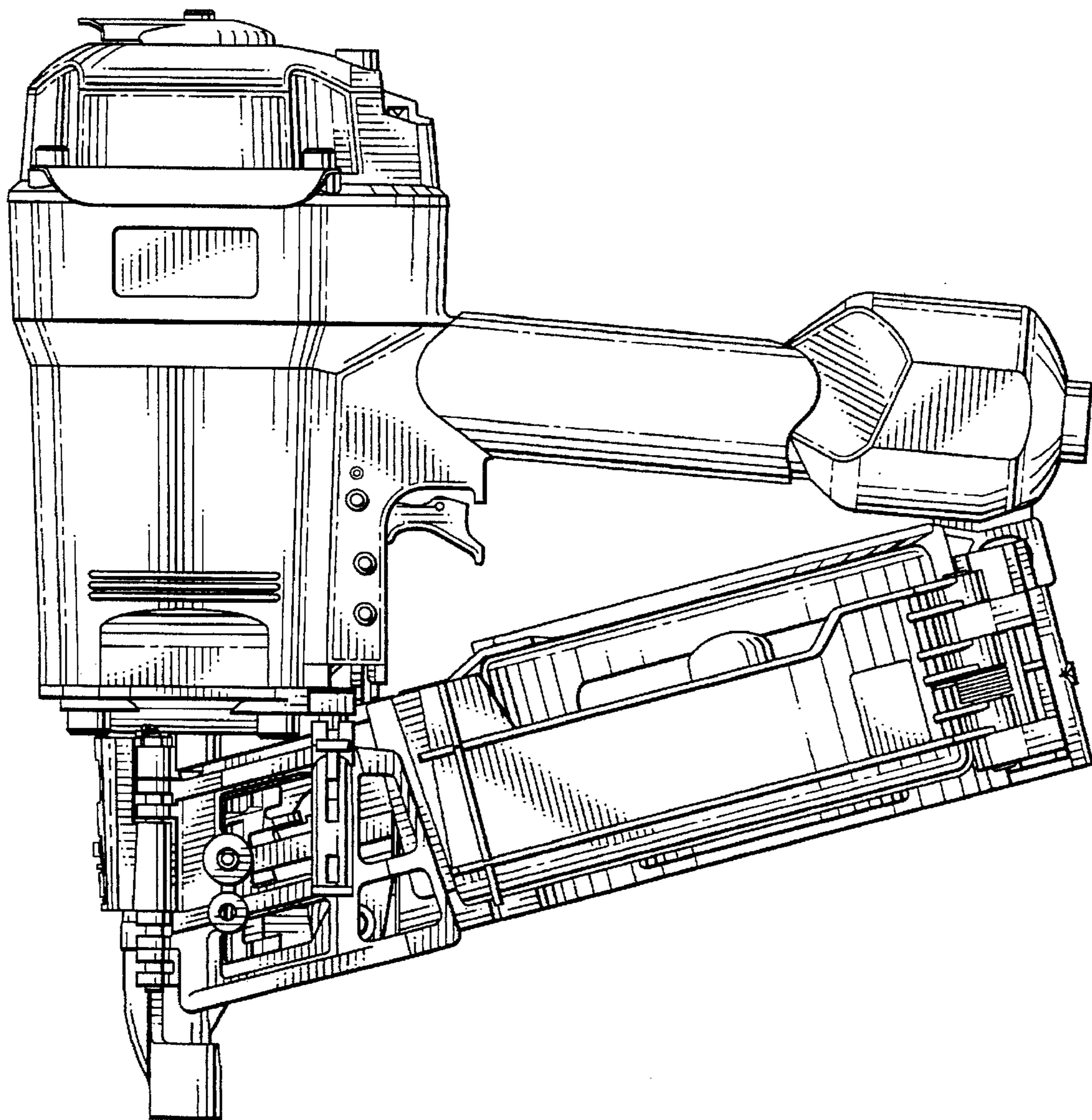


FIG. 2

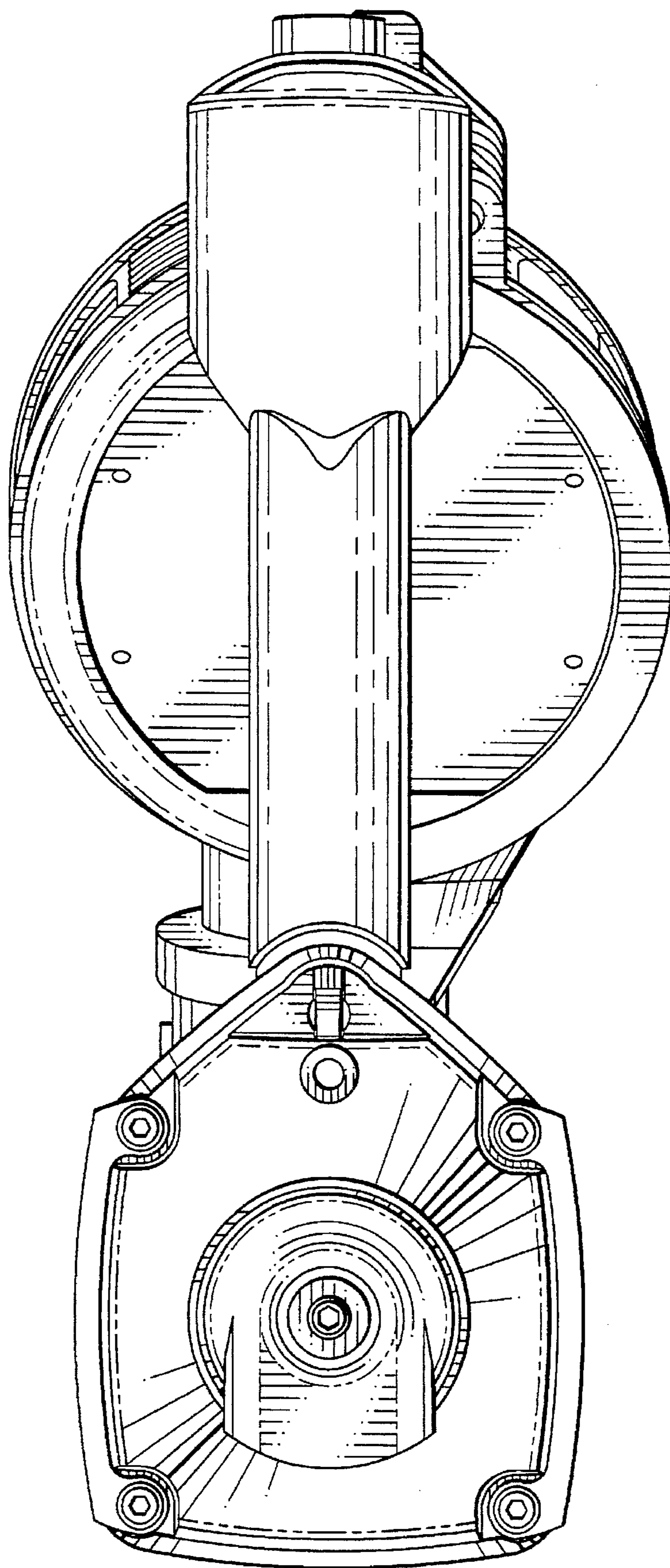


FIG. 3

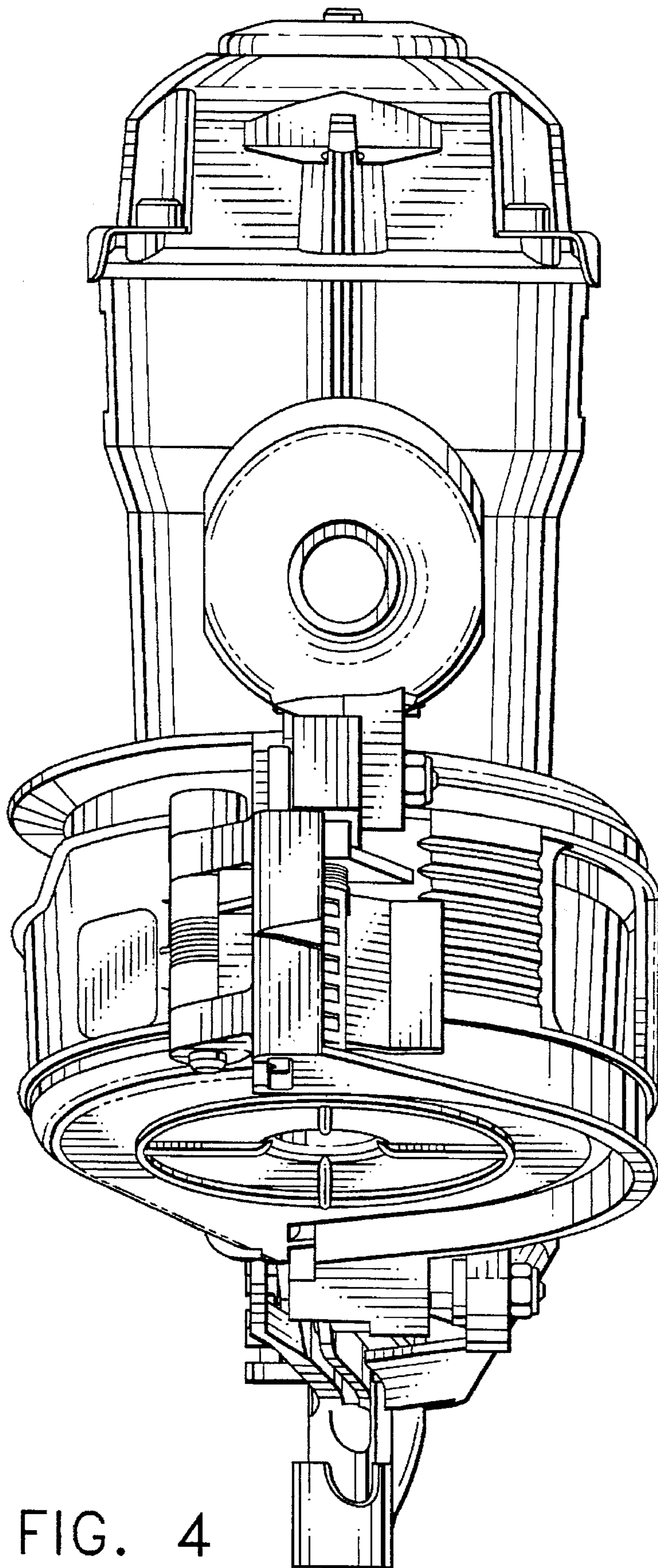


FIG. 4

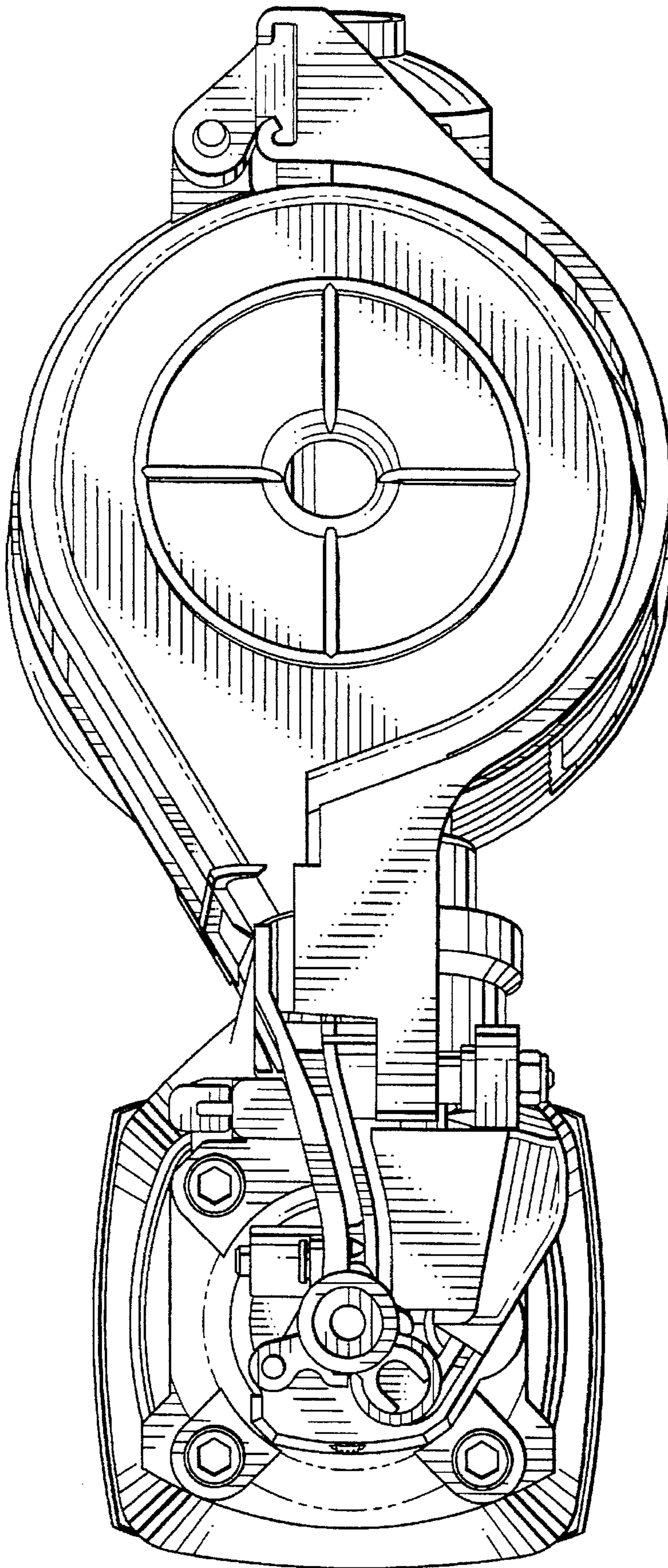


FIG. 5

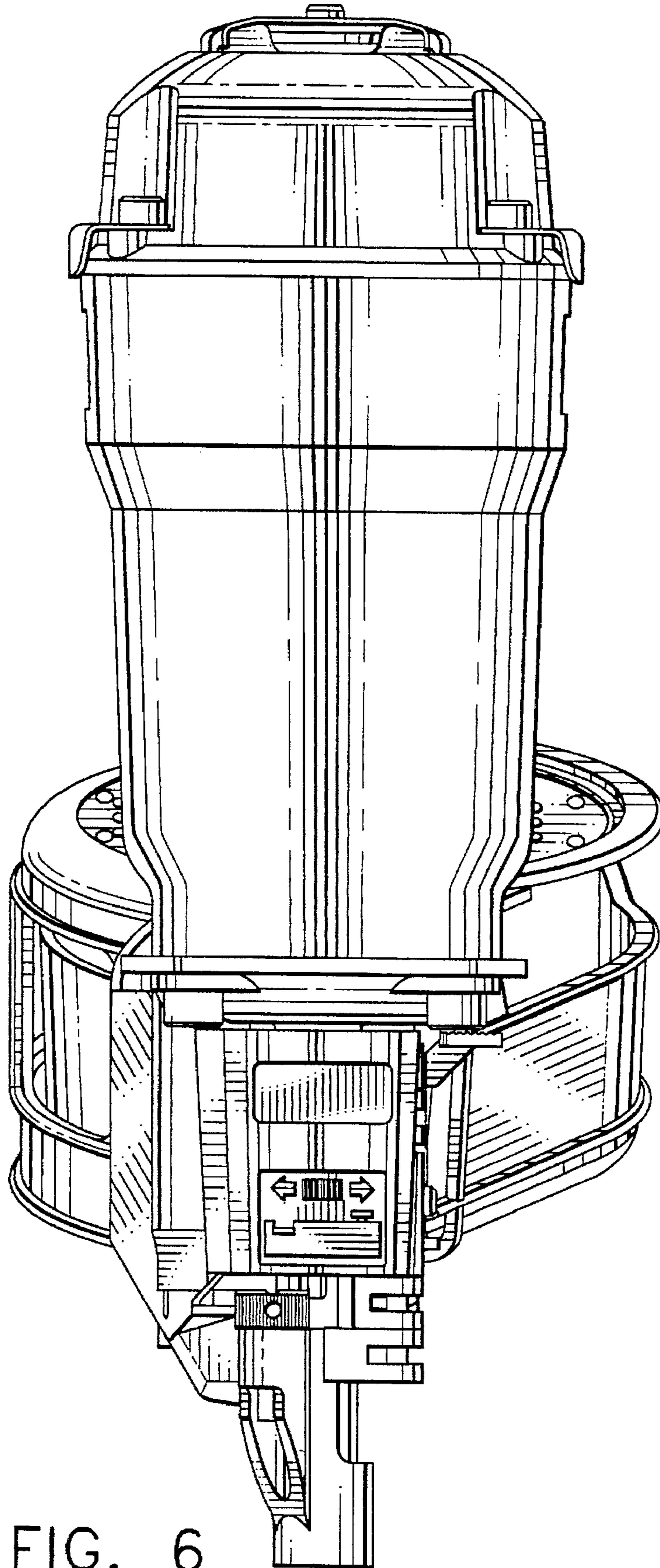


FIG. 6

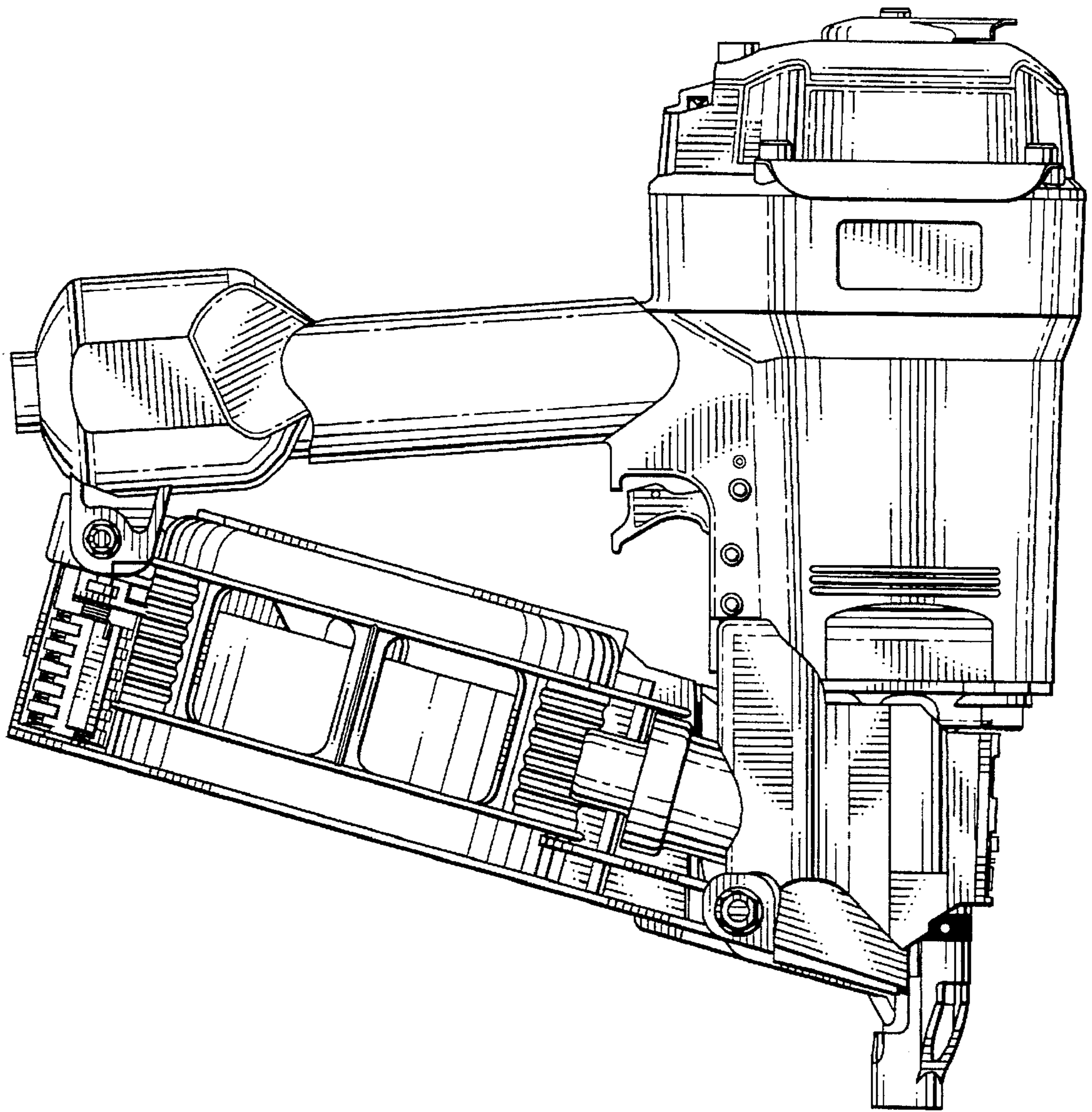


FIG. 7