



US00D379909S

United States Patent [19]
Hawkins

[11] **Patent Number: Des. 379,909**
[45] **Date of Patent: **Jun. 17, 1997**

[54] **AIR DIE CUT-OFF TOOL**

D. 333,077 2/1993 Mikiya D8/62
4,962,787 10/1990 Mayhew 418/270 X

[75] **Inventor: Joseph O. Hawkins, Greenville, S.C.**

OTHER PUBLICATIONS

[73] **Assignee: Sunex International Inc., Greenville, S.C.**

Rear Exhaust Die Grinder, Model No. SX-230B, brochure 1981. Sunex International, Inc.

[**] **Term: 14 Years**

Primary Examiner—Antoine Duval Davis
Attorney, Agent, or Firm—Dority & Manning, P.A.

[21] **Appl. No.: 53,167**

[57] **CLAIM**

[22] **Filed: Apr. 15, 1996**

The ornamental design for an air die cut-off tool, as shown and described.

[51] **LOC (6) Cl. 08-01**

[52] **U.S. Cl. D8/14; D8/62**

[58] **Field of Search** D8/14, 62; 173/46, 173/218, 221, 169; 279/4.02, 4.04, 4.07; 415/80, 82, 123, 903, 904; 418/70, 107, 152, 270; 606/180

DESCRIPTION

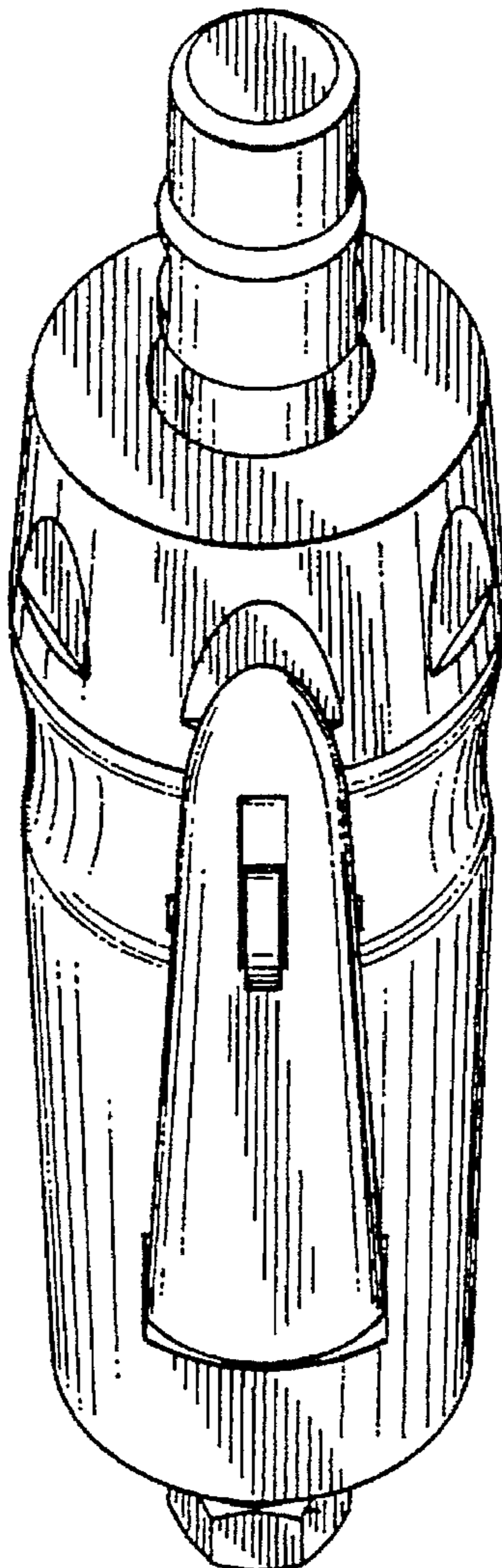
FIG. 1 is an elevated perspective view;
FIG. 2 is a bottom plan view;
FIG. 3 is a top plan view;
FIG. 4 is a front plan view;
FIG. 5 is a side plan view;
FIG. 6 is a back plan view; and,
FIG. 7 is the other side plan view;

[56] **References Cited**

U.S. PATENT DOCUMENTS

D. 173,326 10/1954 Quackenbush D8/62
D. 310,160 8/1990 Patel D8/62 X

1 Claim, 3 Drawing Sheets



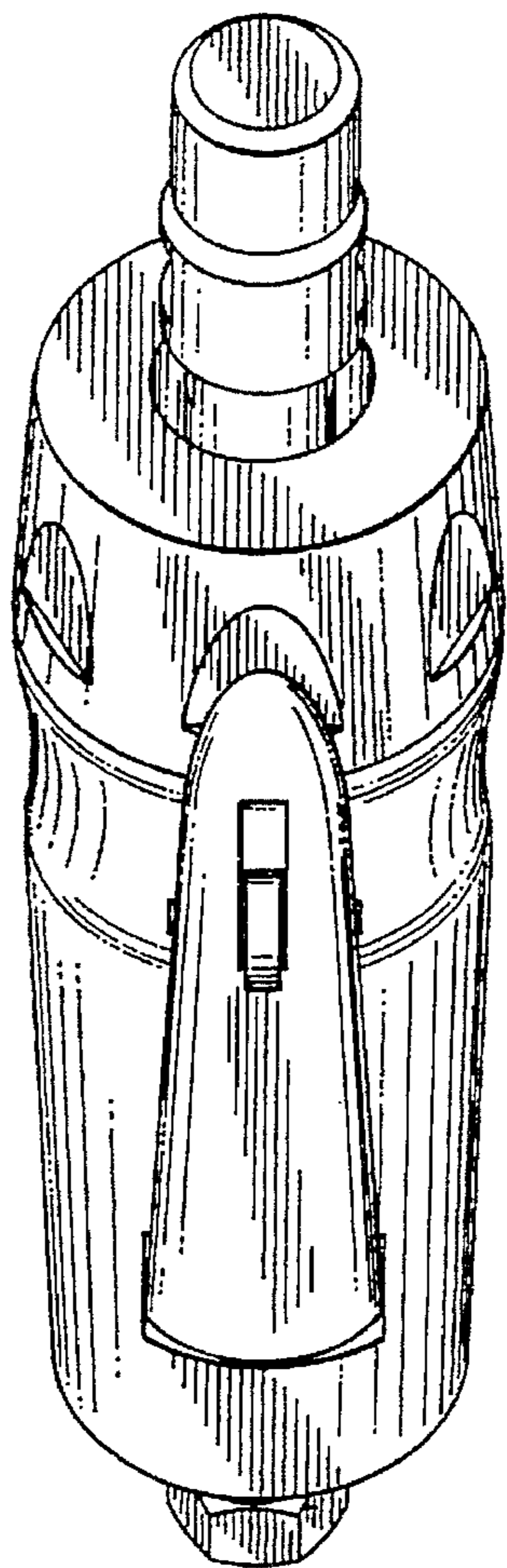


Fig. 1

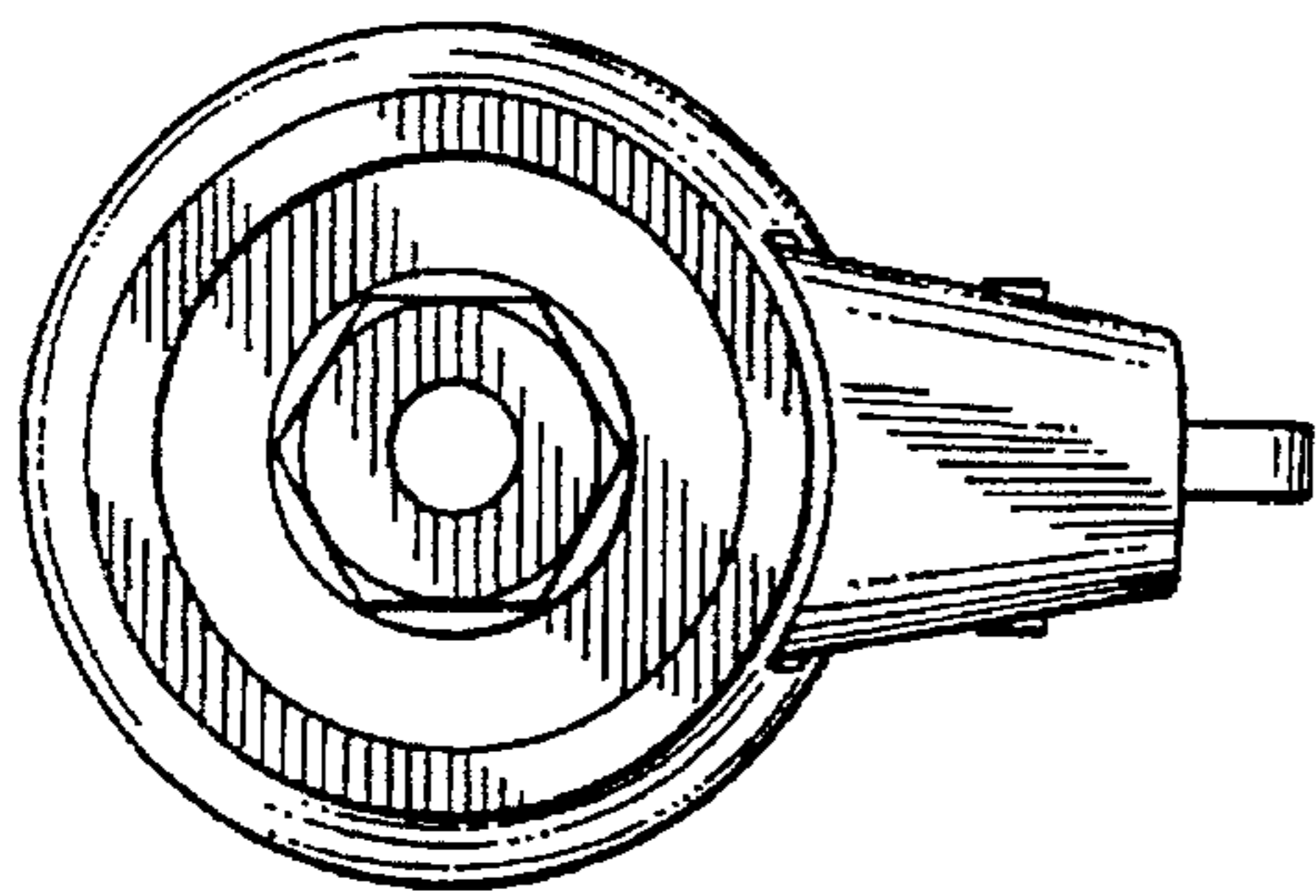


Fig. 2

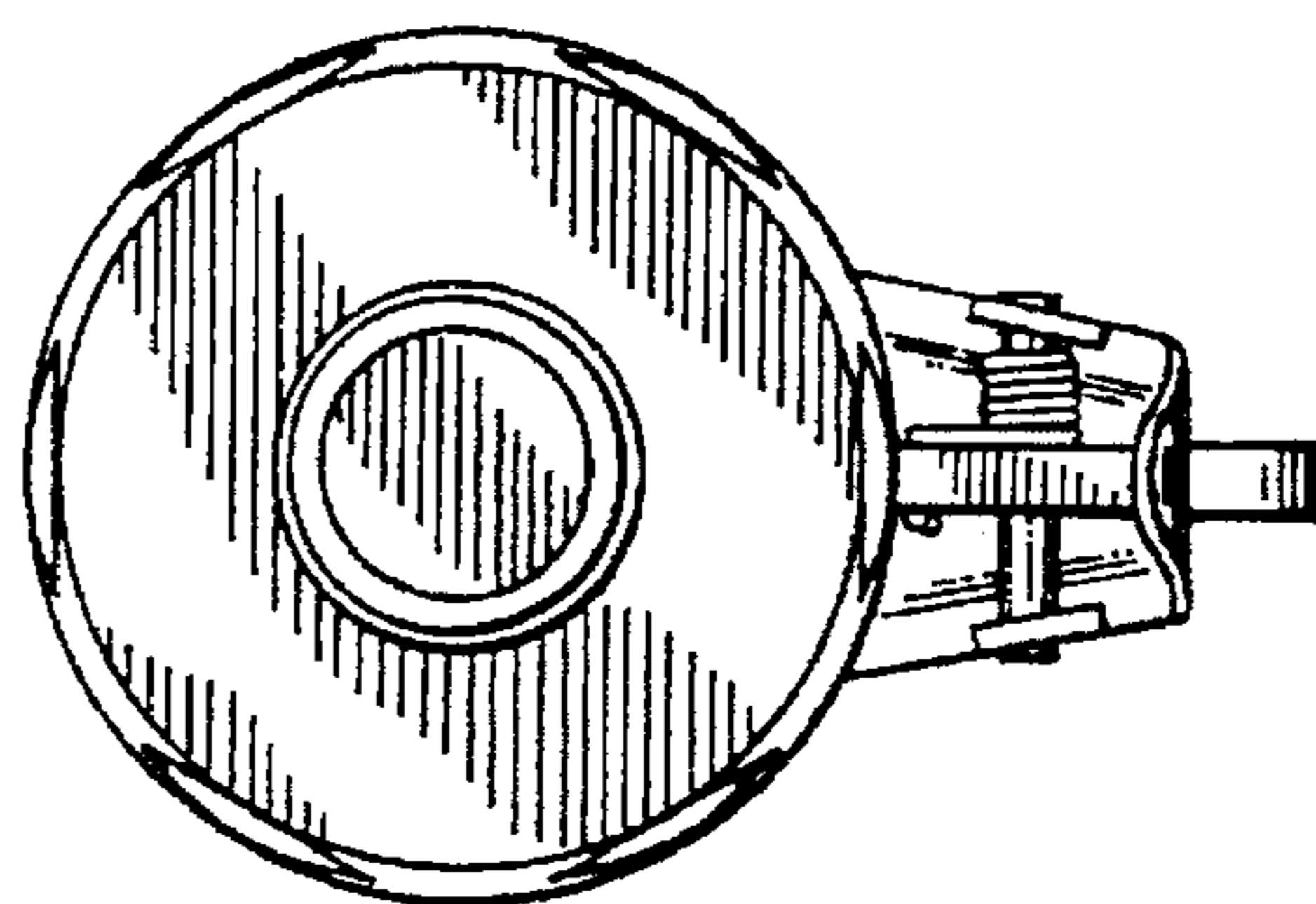


Fig. 3

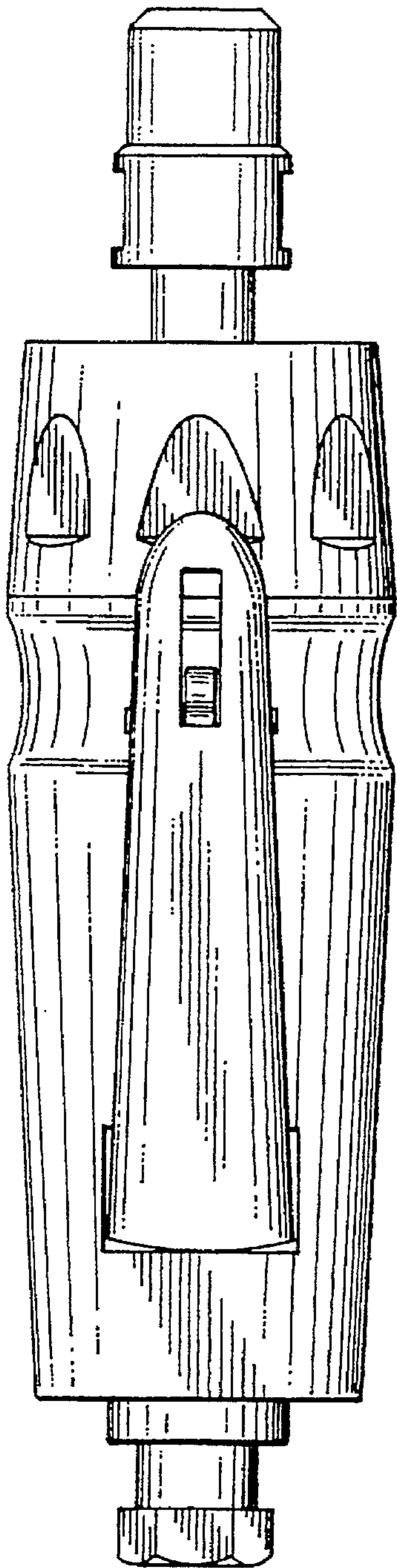


Fig. 4

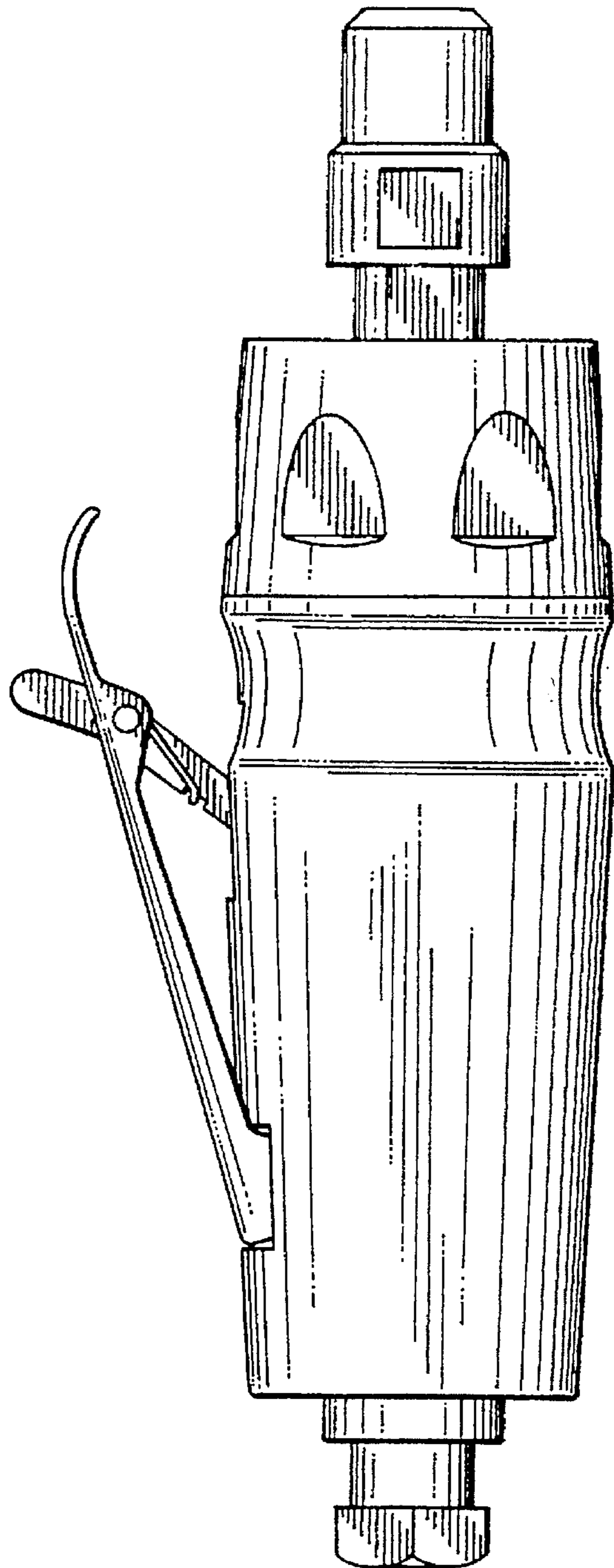


Fig. 5

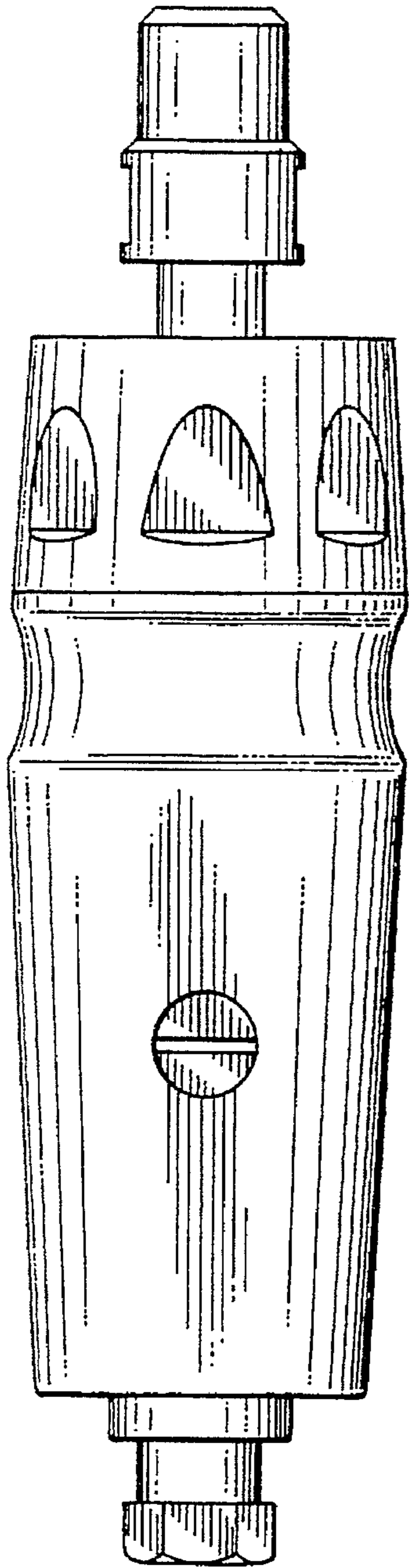


Fig. 6

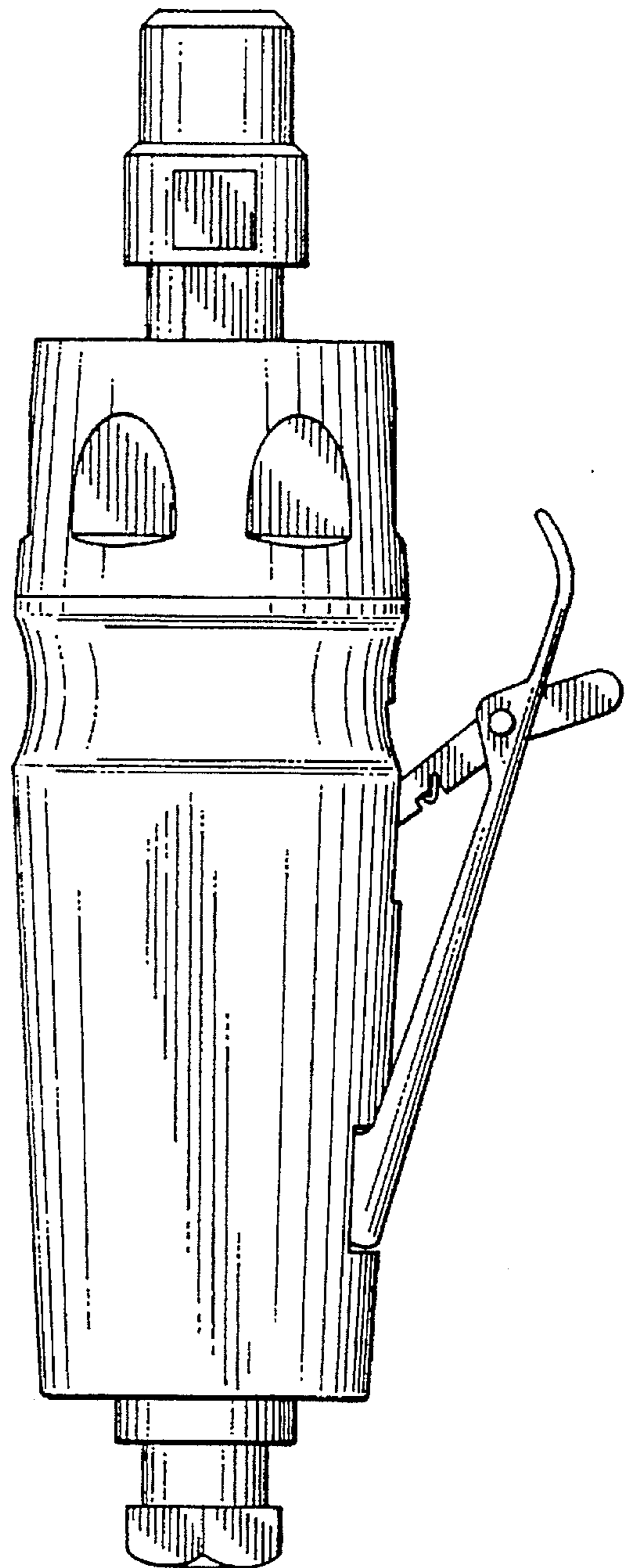


Fig. 7