



US00D379908S

United States Patent [19]

[11] Patent Number: **Des. 379,908**

Thaler et al.

[45] Date of Patent: ****Jun. 17, 1997**

[54] **TREE WATERING DEVICE**

[76] Inventors: **Stephen W. Thaler; Monica L. Thaler,**
both of 2540 Four Mile Dr.,
Montoursville, Pa. 17754

[**] Term: **14 Years**

[21] Appl. No.: **38,161**

[22] Filed: **Apr. 28, 1995**

[51] **LOC (6) Cl.** **08-01**

[52] **U.S. Cl.** **D8/1**

[58] **Field of Search** D11/130, 155,
D11/130.1; D8/1; 47/48.5 R, 48.5 CR,
48.5 M, 48.5 G

[56] **References Cited**

U.S. PATENT DOCUMENTS

D. 333,763	3/1993	Collins	D8/1
D. 340,843	11/1993	Morton, Jr.	D8/1
2,909,002	10/1959	Hendry	47/48.5 R X
4,089,133	5/1978	Duncan	47/48.5 G

Primary Examiner—Holly H. Baynham
Attorney, Agent, or Firm—Harpman & Harpman

[57] **CLAIM**

The ornamental design for a tree watering device, as shown and described.

DESCRIPTION

FIG. 1 is a front, top and side perspective view of the tree watering device embodying the design of the present invention;

FIG. 2 is a front elevational view thereof;

FIG. 3 is a rear elevational view thereof;

FIG. 4 is a right side elevational view thereof;

FIG. 5 is a left side elevational view thereof;

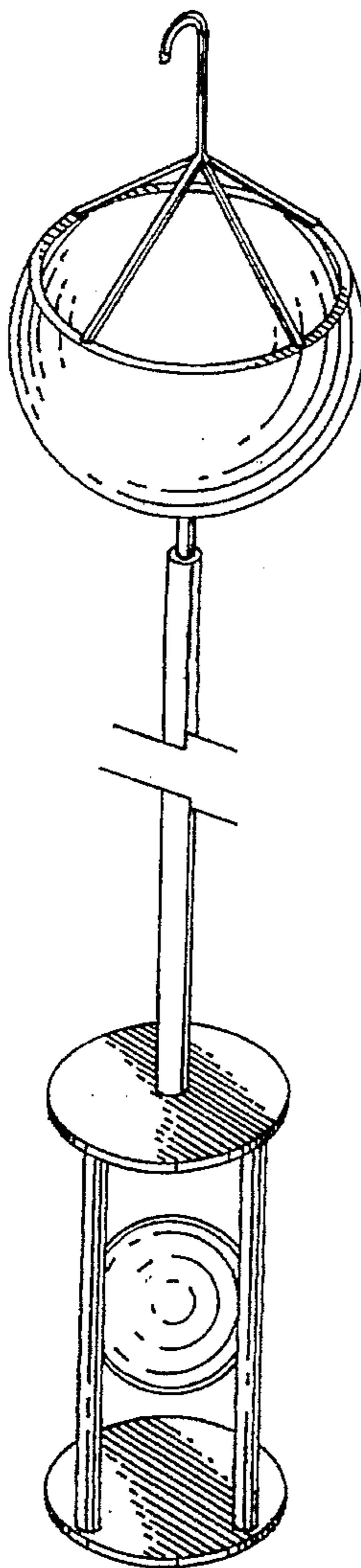
FIG. 6 is a top plan view thereof;

FIG. 7 is a bottom plan view thereof; and,

FIG. 8 is a perspective view thereof.

The claim design is shown broken away in FIG. 8 to indicate indeterminate length. The views of FIGS. 1-7 are shown detached for ease of illustration.

1 Claim, 5 Drawing Sheets



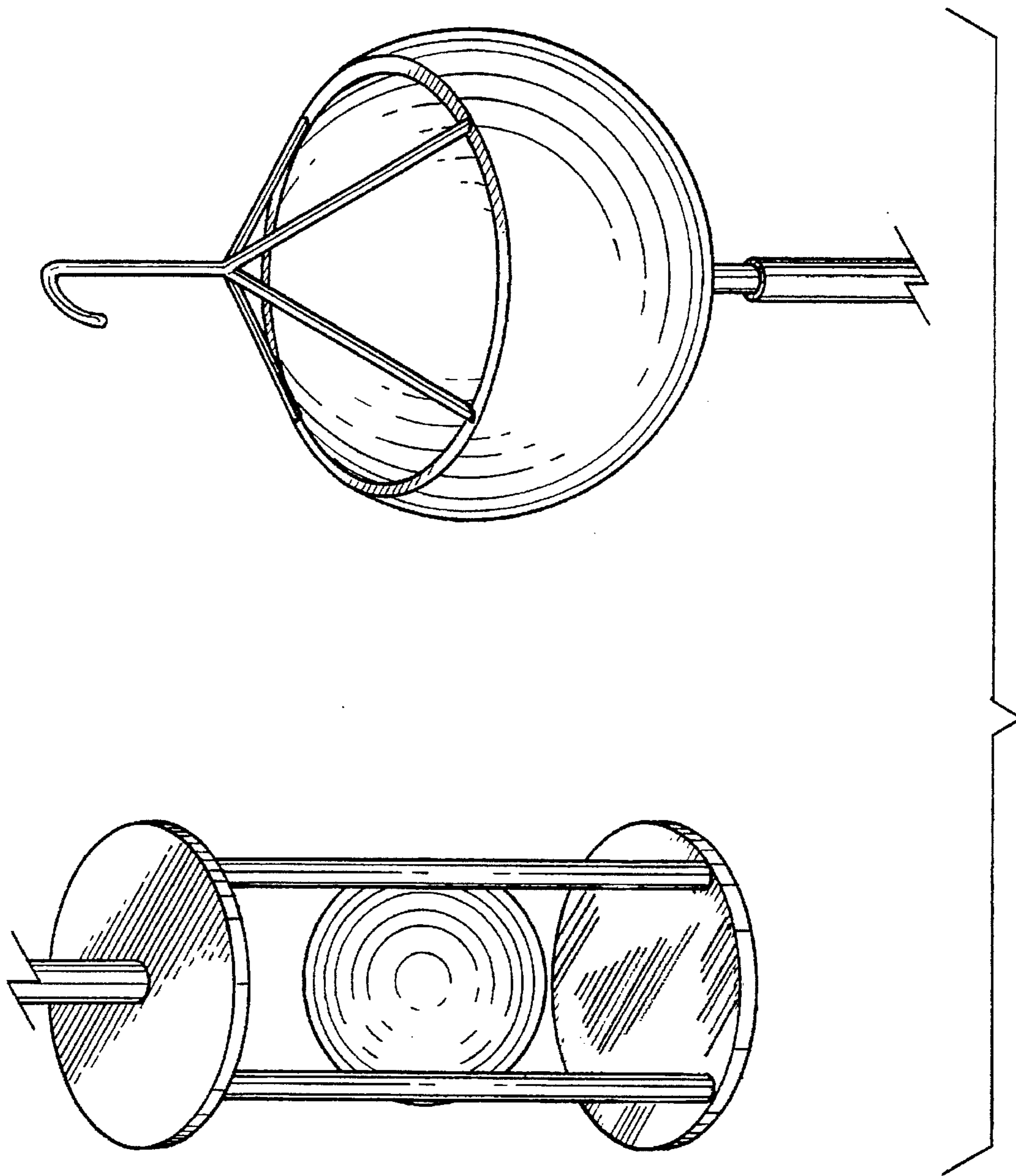
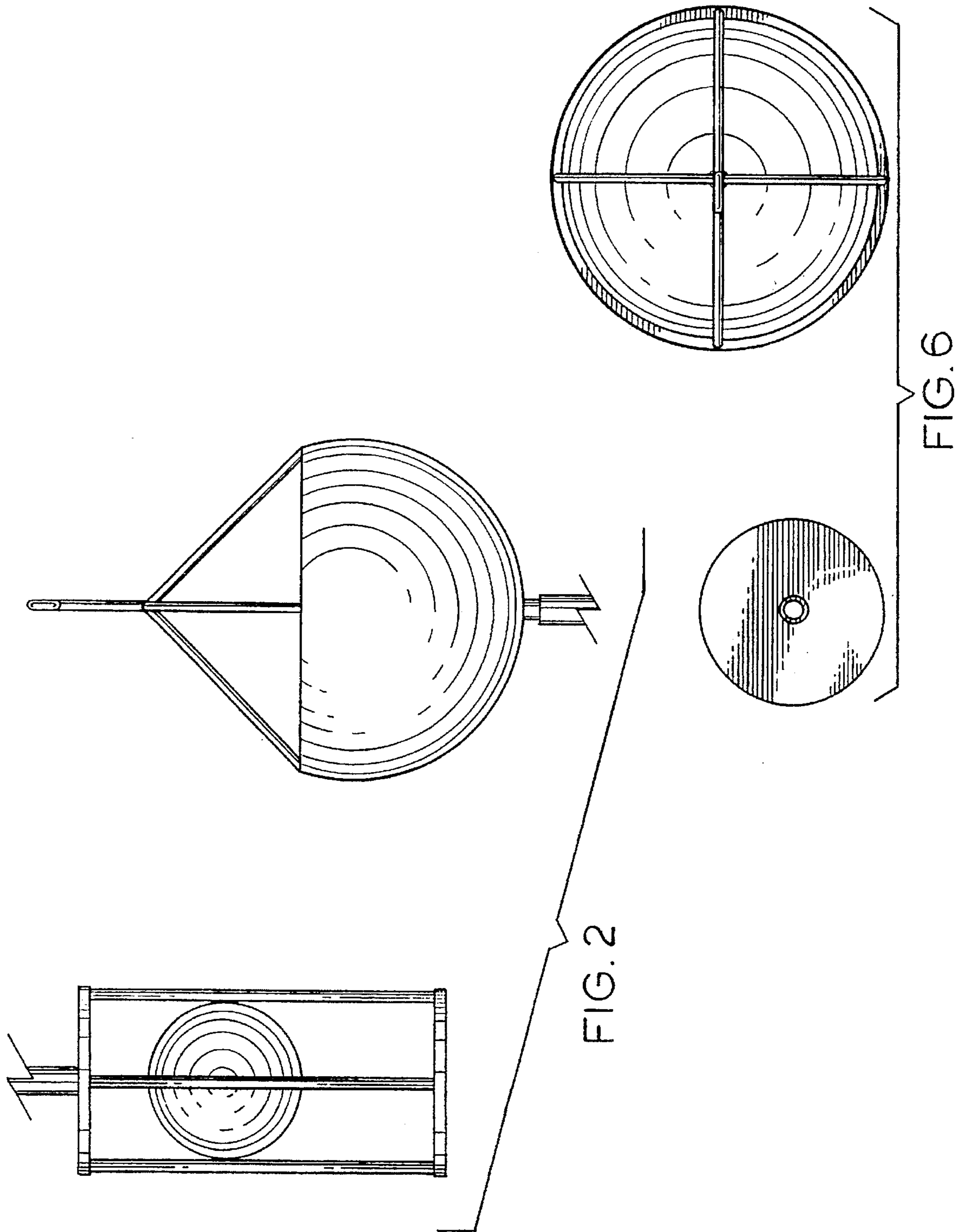
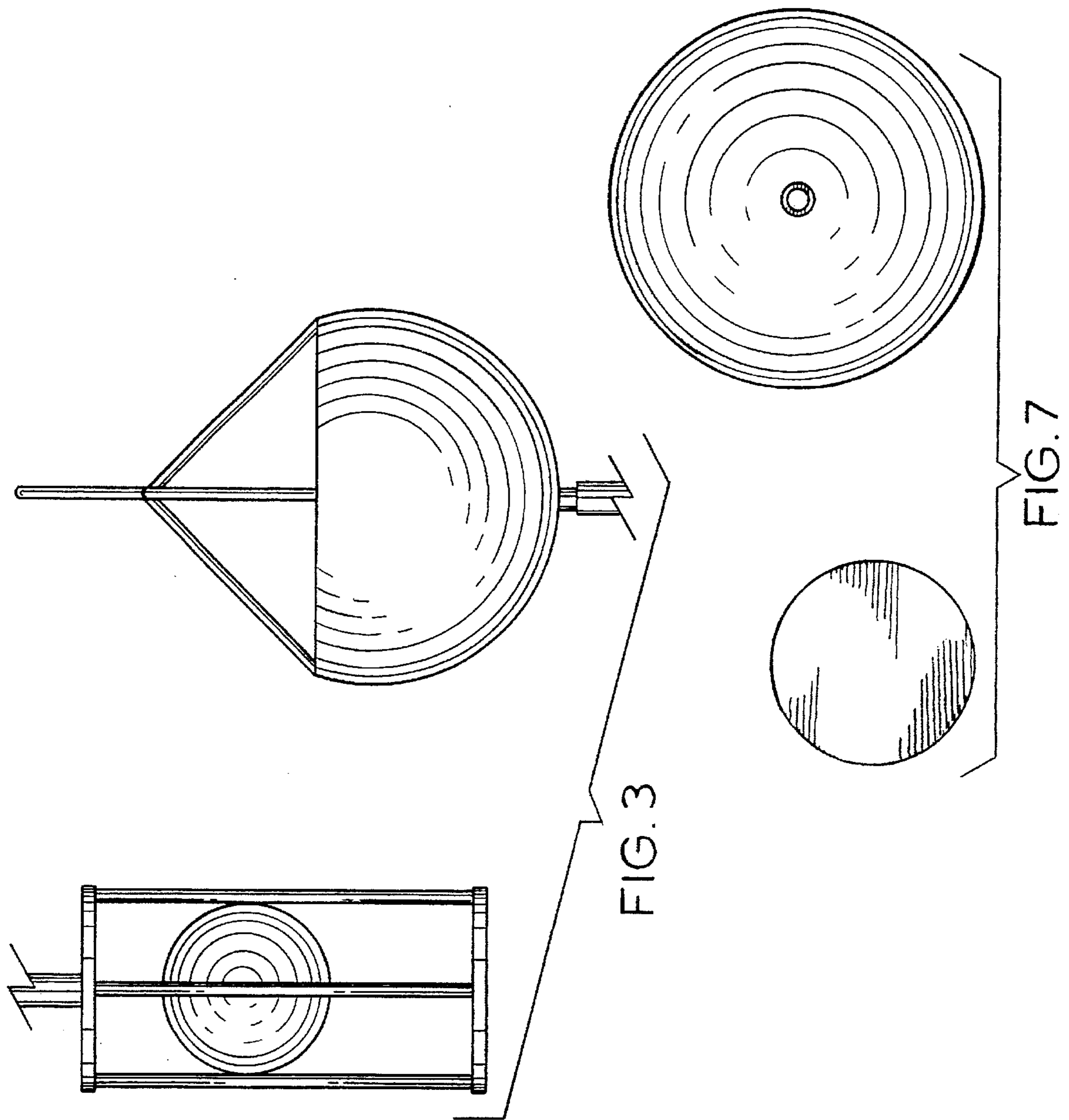
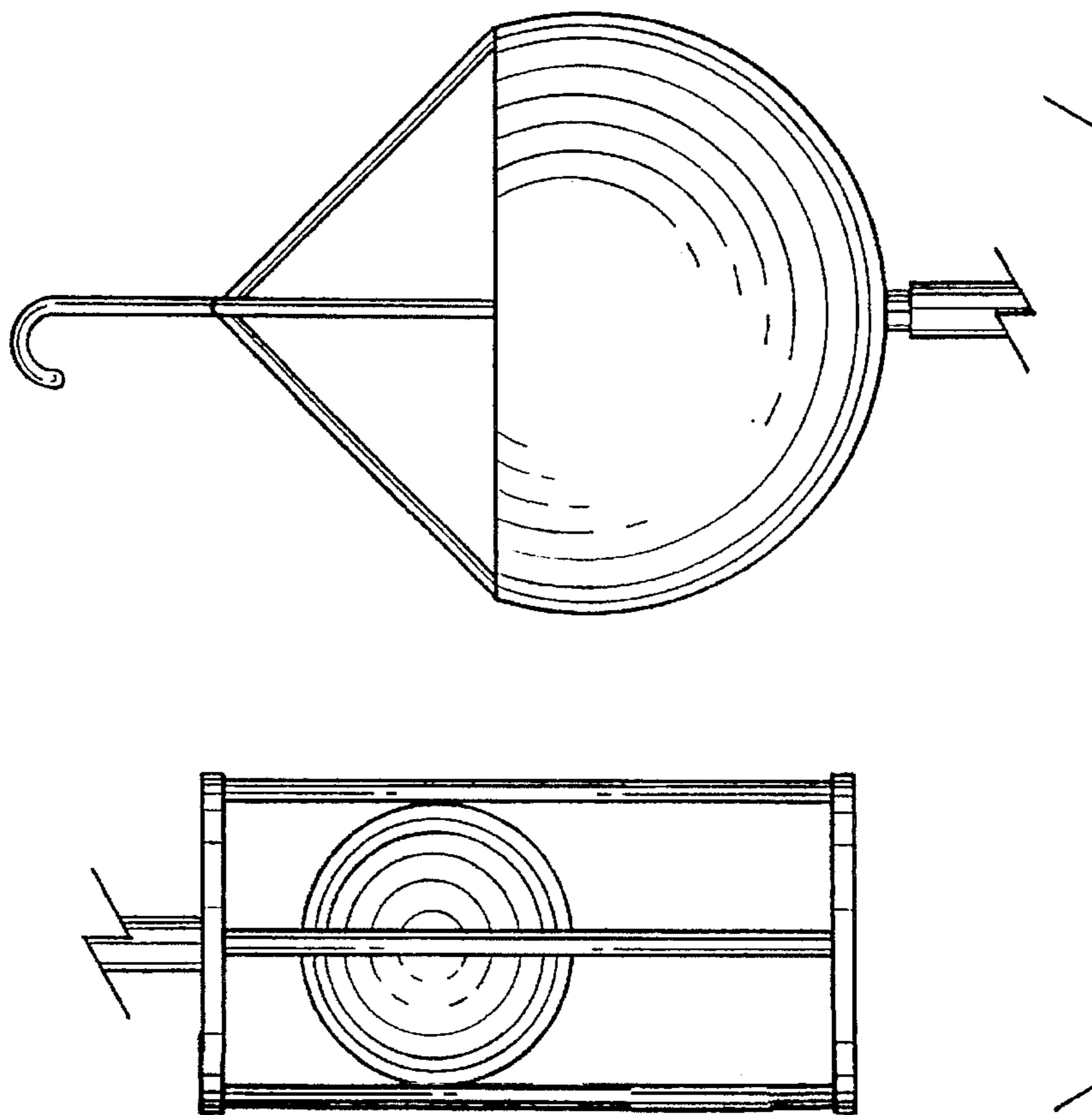
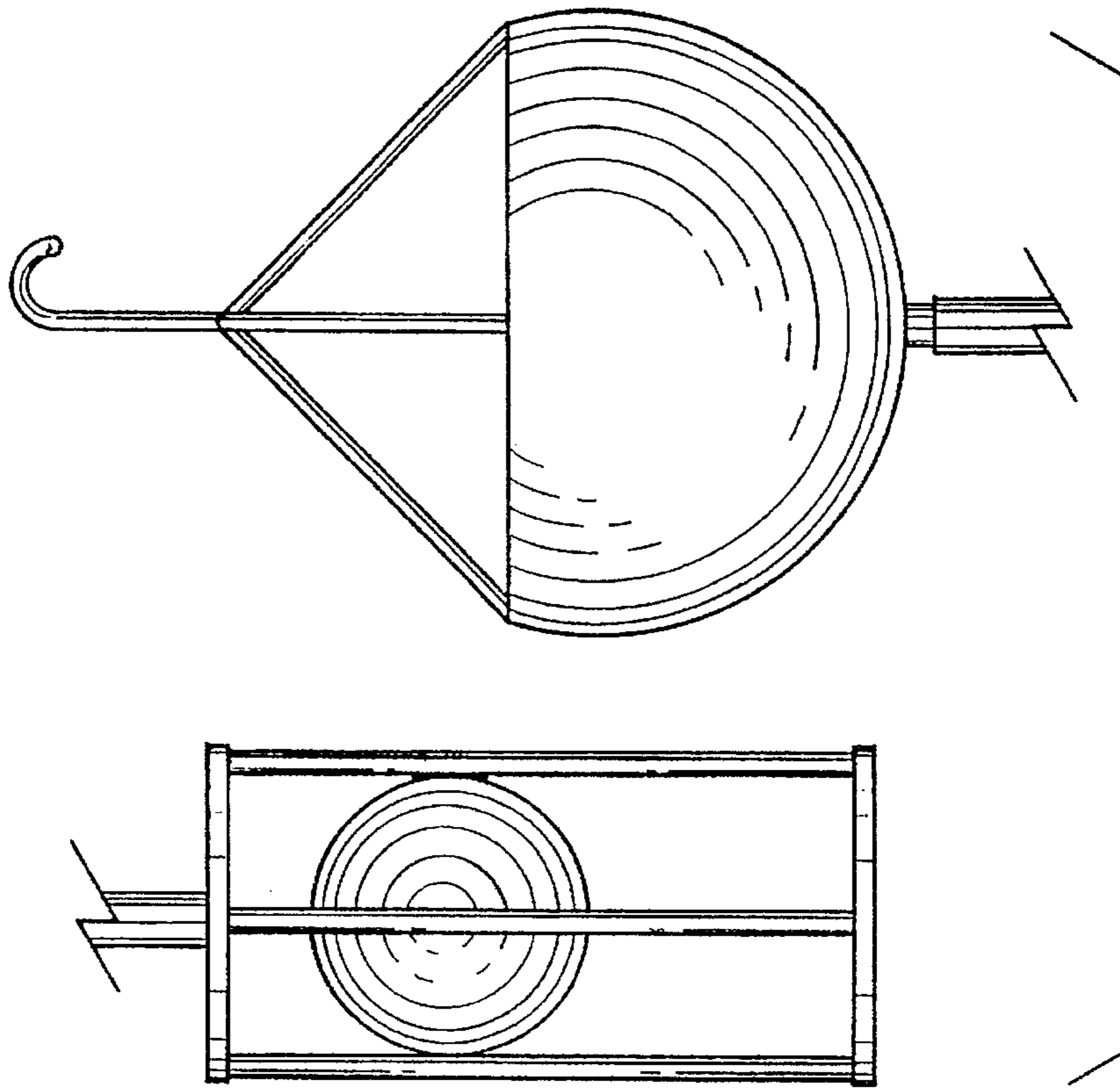


FIG.1







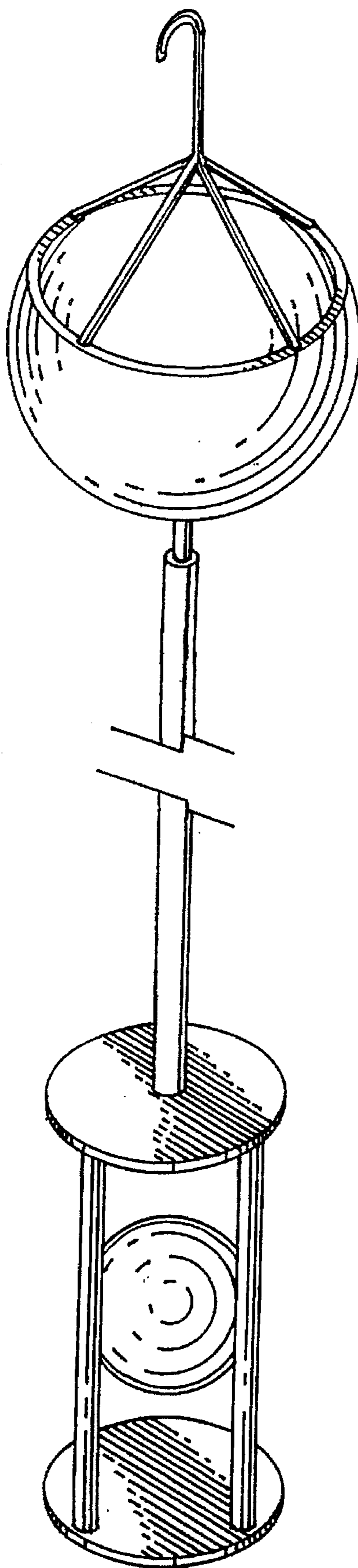


FIG. 8