



US00D379907S

United States Patent [19]
Israeli

[11] **Patent Number: Des. 379,907**

[45] **Date of Patent: **Jun. 17, 1997**

[54] **CONTAINER FOR SLICING FOOD**

[76] **Inventor: Yoel Israeli, 6434 Jumilla Ave., Woodland Hills, Calif. 91367**

[**] **Term: 14 Years**

[21] **Appl. No.: 51,249**

[22] **Filed: Mar. 7, 1996**

[51] **LOC (6) Cl. 07-04**

[52] **U.S. Cl. D7/673**

[58] **Field of Search D7/672, 673, 674; 83/762-764, 466.1, 454; 269/87.2**

[56] **References Cited**

U.S. PATENT DOCUMENTS

4,807,505 2/1989 Campbell et al. 83/762 X
4,948,106 8/1990 Popeil et al. D7/673 X

OTHER PUBLICATIONS

Figure A, Merchandise catalog, "Bagel Biter," obtained before Mar. 7, 1996.

Figure B, Newspaper, "VIA's plastic bagel slicer," obtained after Mar. 7, 1996.

Primary Examiner—Terry A. Wallace

[57] **CLAIM**

The ornamental design for the container for slicing food, as shown and described.

DESCRIPTION

FIG. 1 is a perspective view of a container for slicing food showing my new design;

FIG. 2 is a right side elevation view thereof, the left side being identical;

FIG. 3 is a front elevation view thereof;

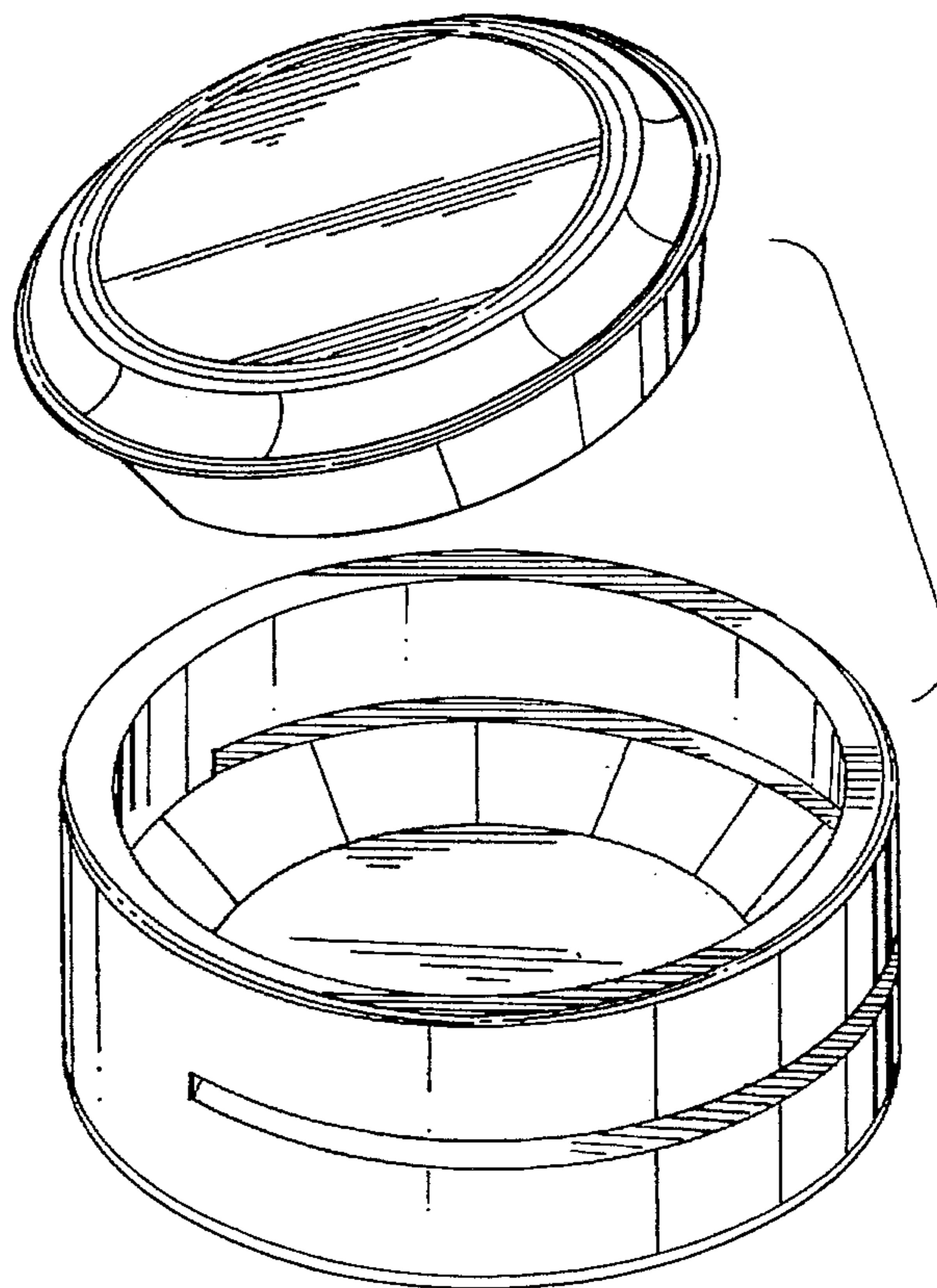
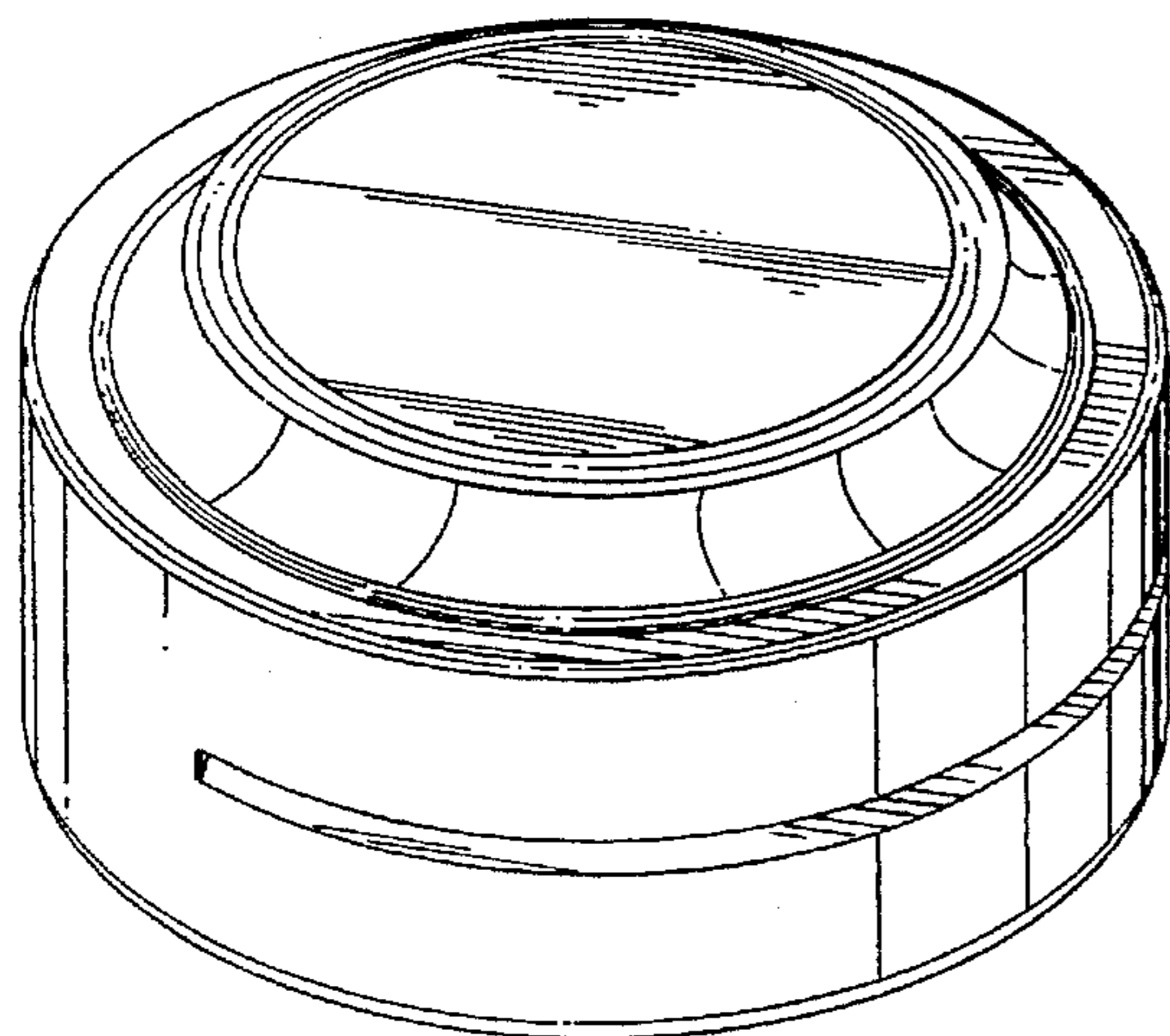
FIG. 4 is a rear elevation view thereof;

FIG. 5 is a top plan view thereof;

FIG. 6 is a bottom plan view thereof; and,

FIG. 7 is an exploded perspective view thereof.

1 Claim, 5 Drawing Sheets



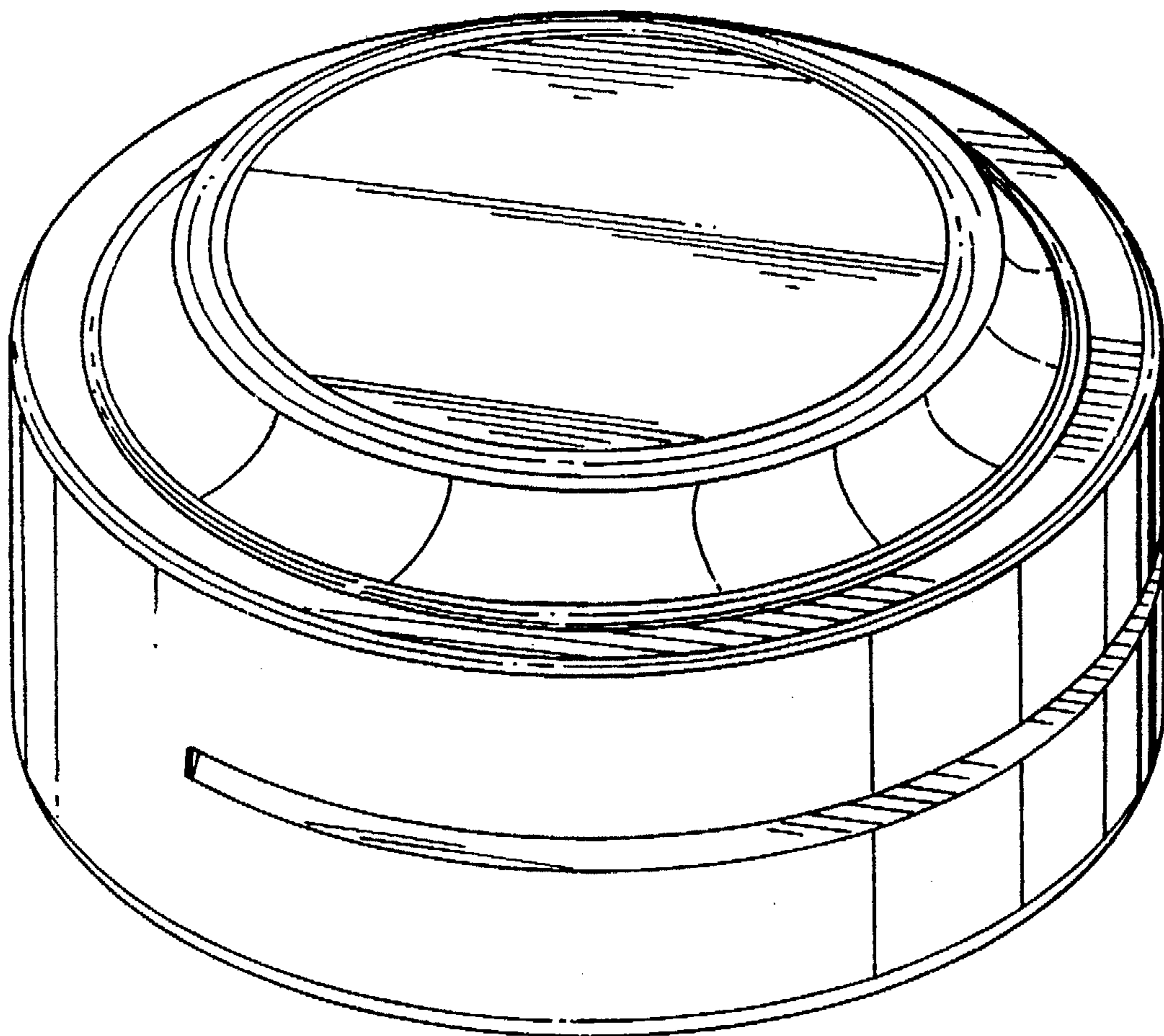


FIG. 1

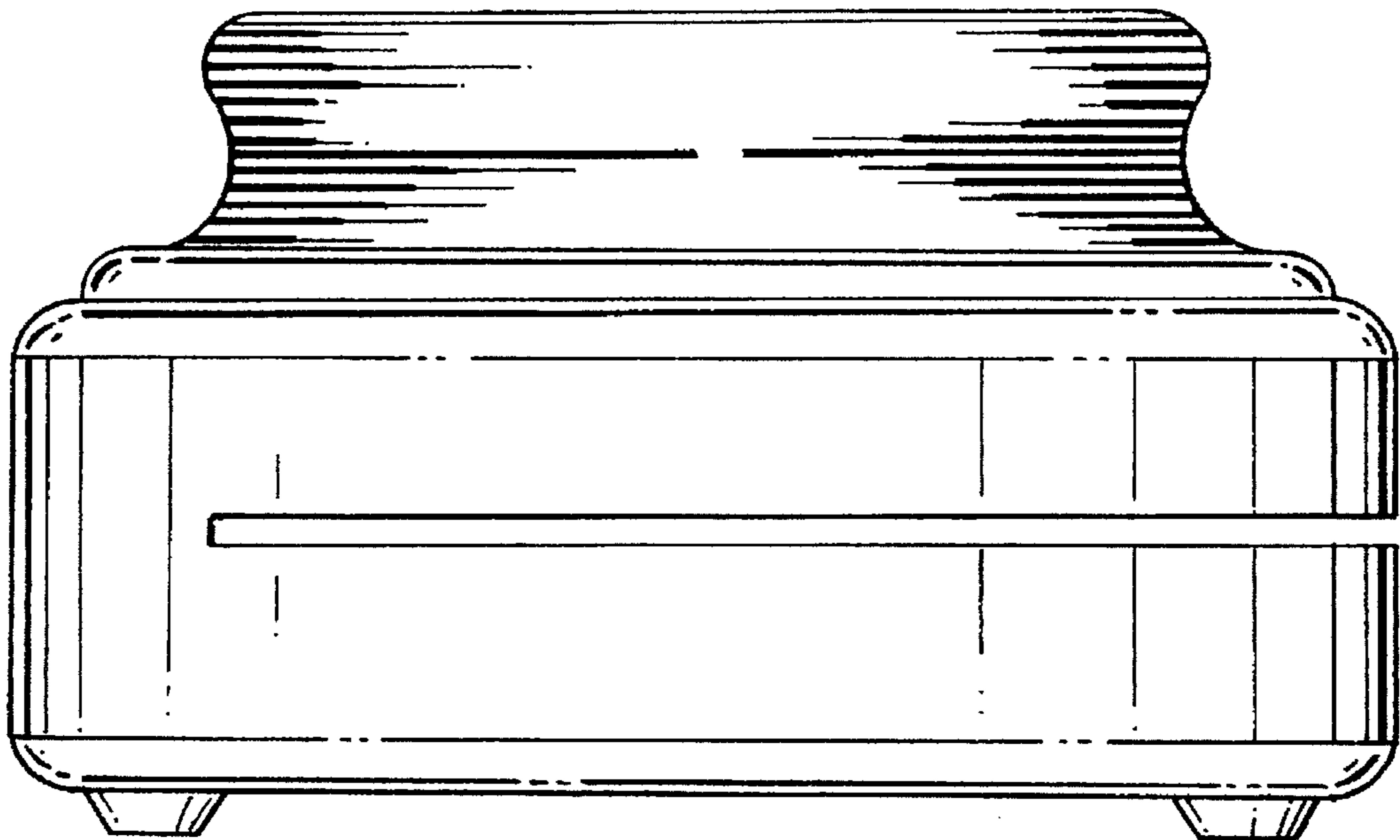


FIG. 2

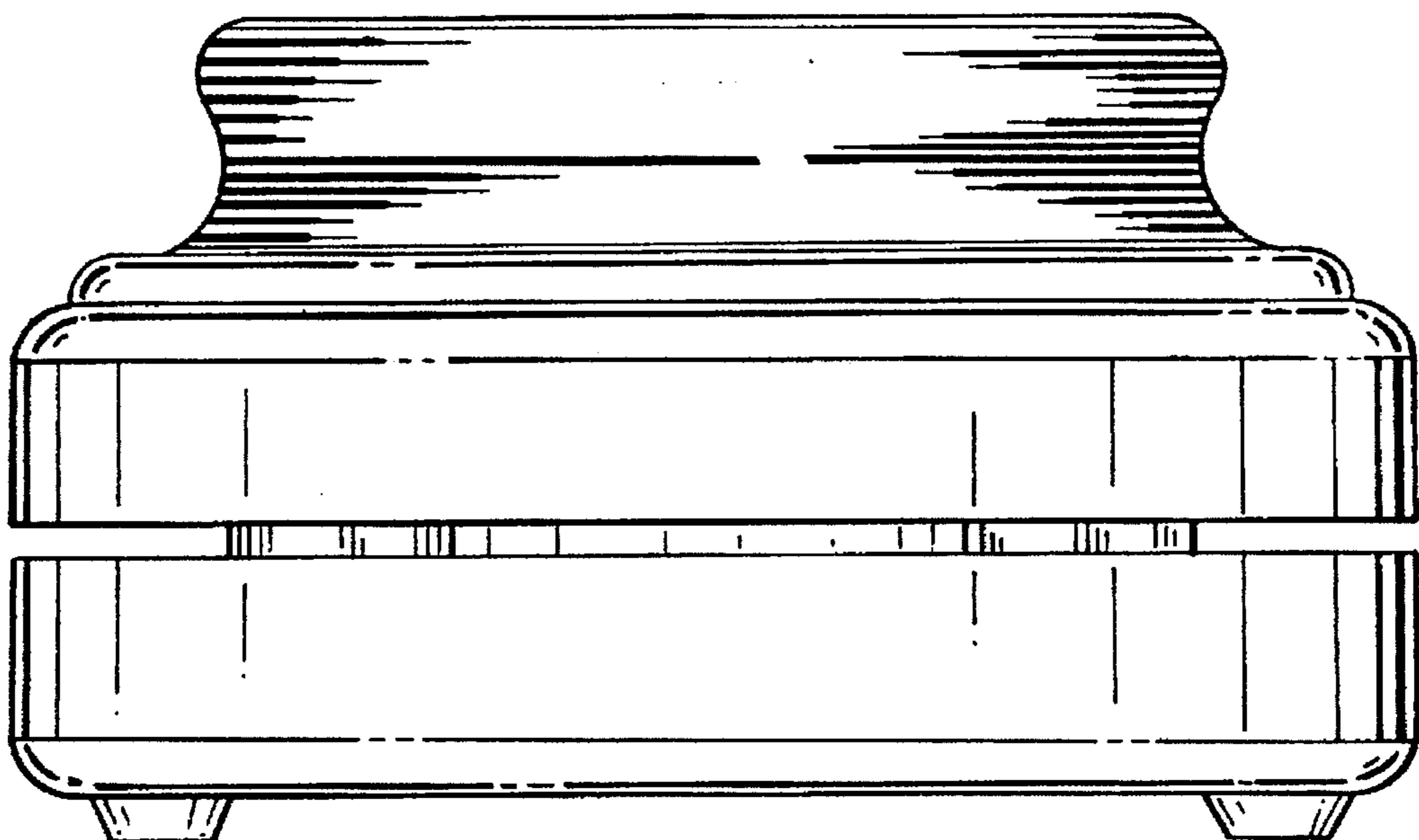


FIG. 3

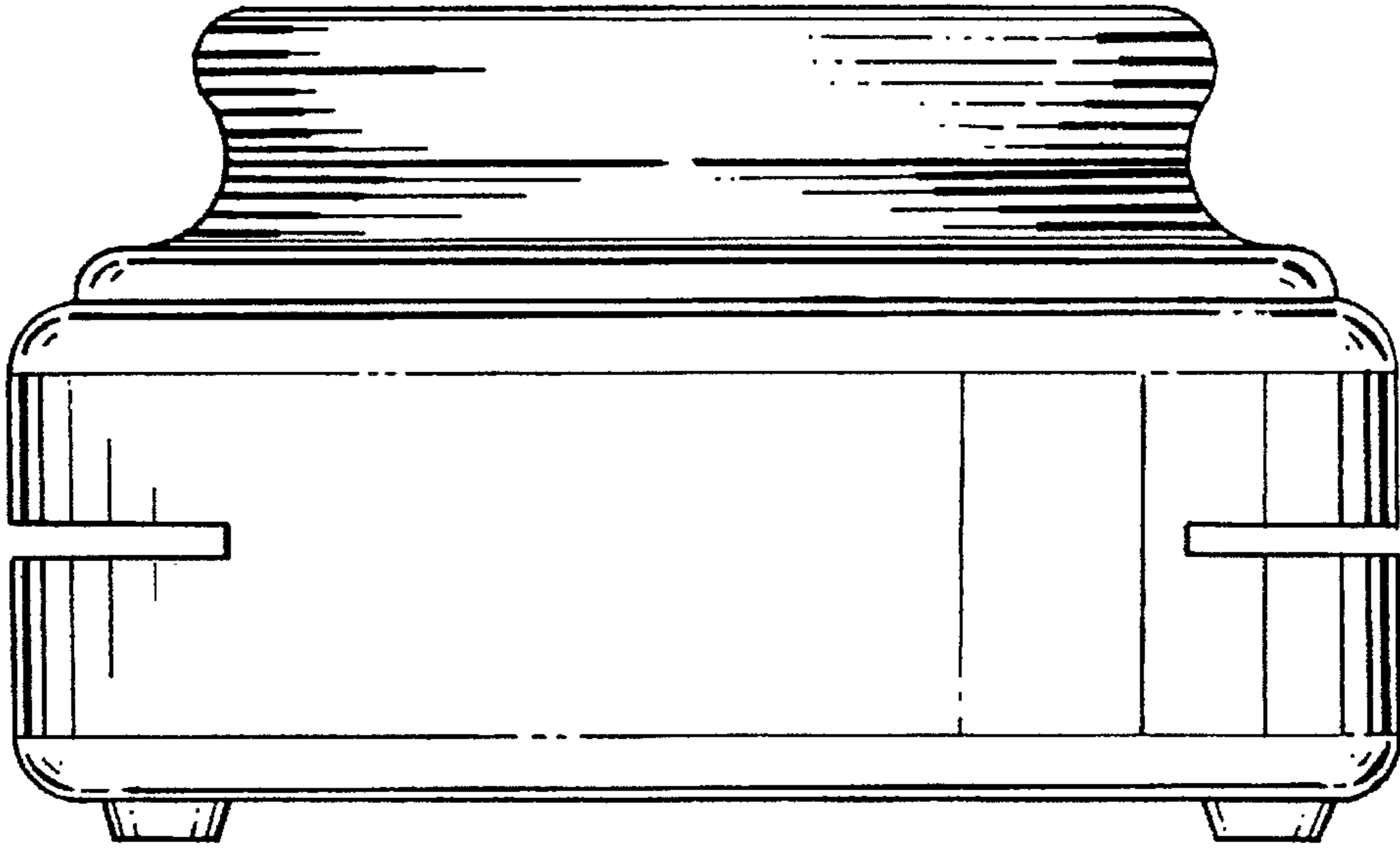


FIG. 4

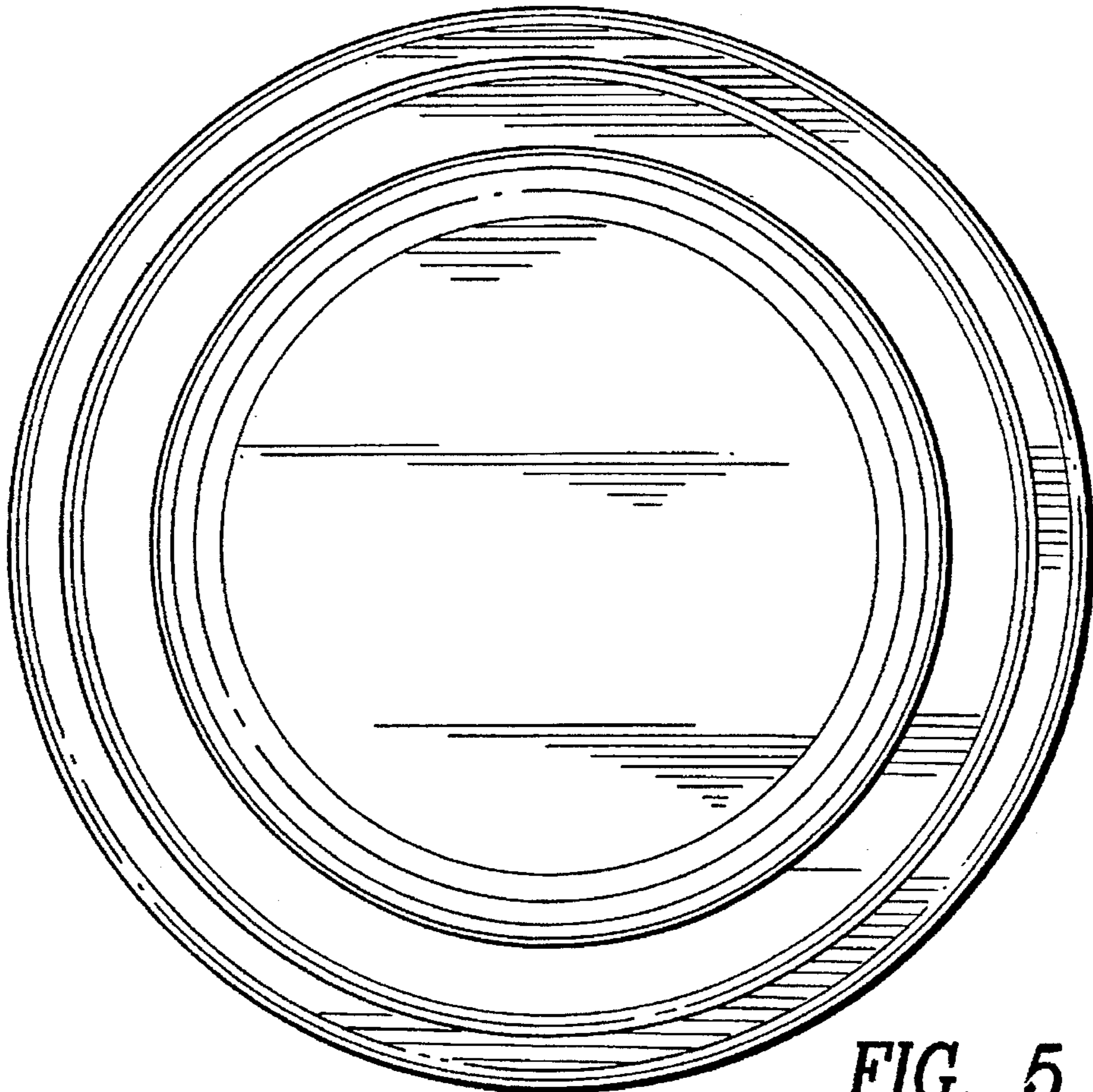


FIG. 5

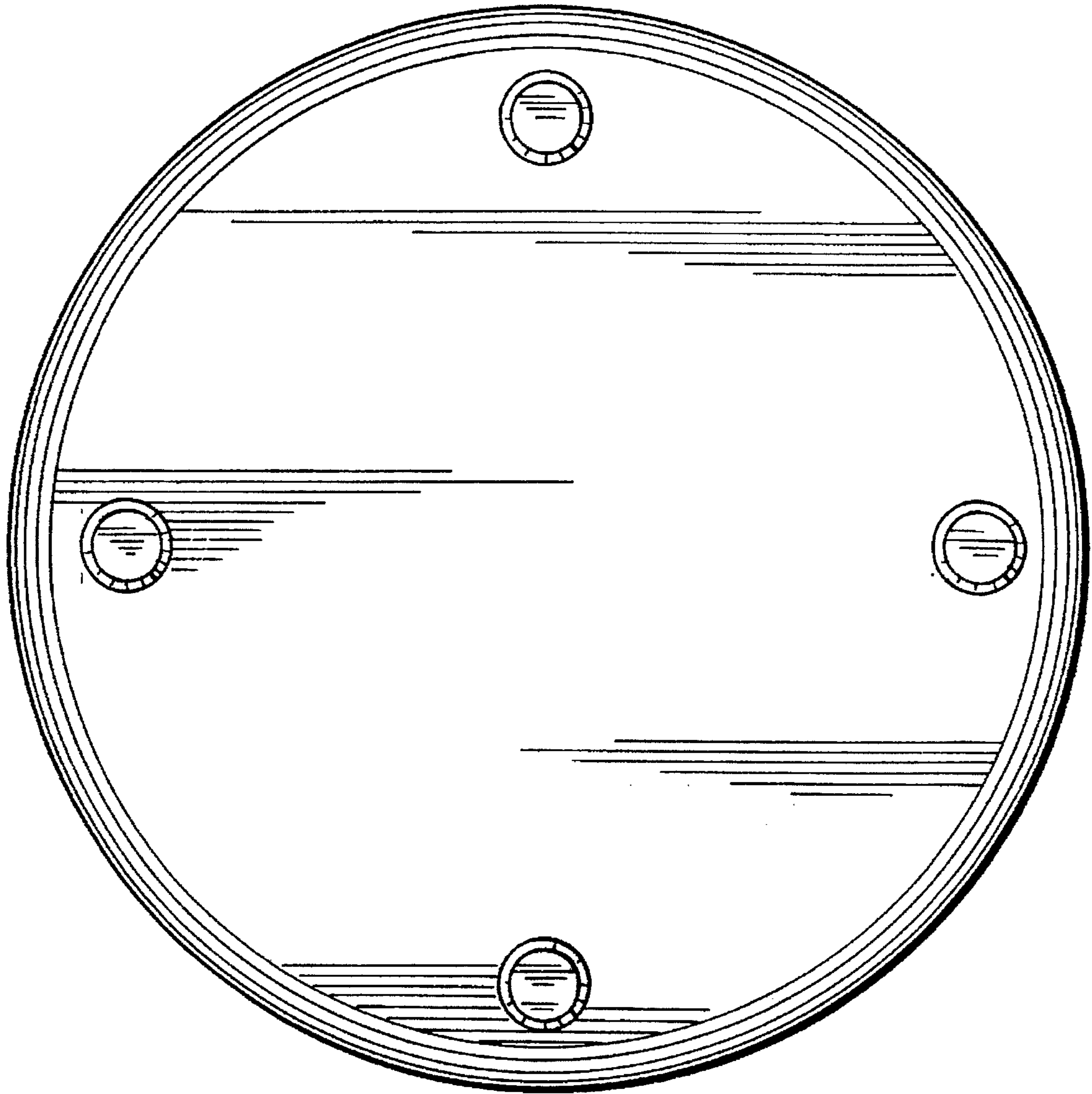


FIG. 6

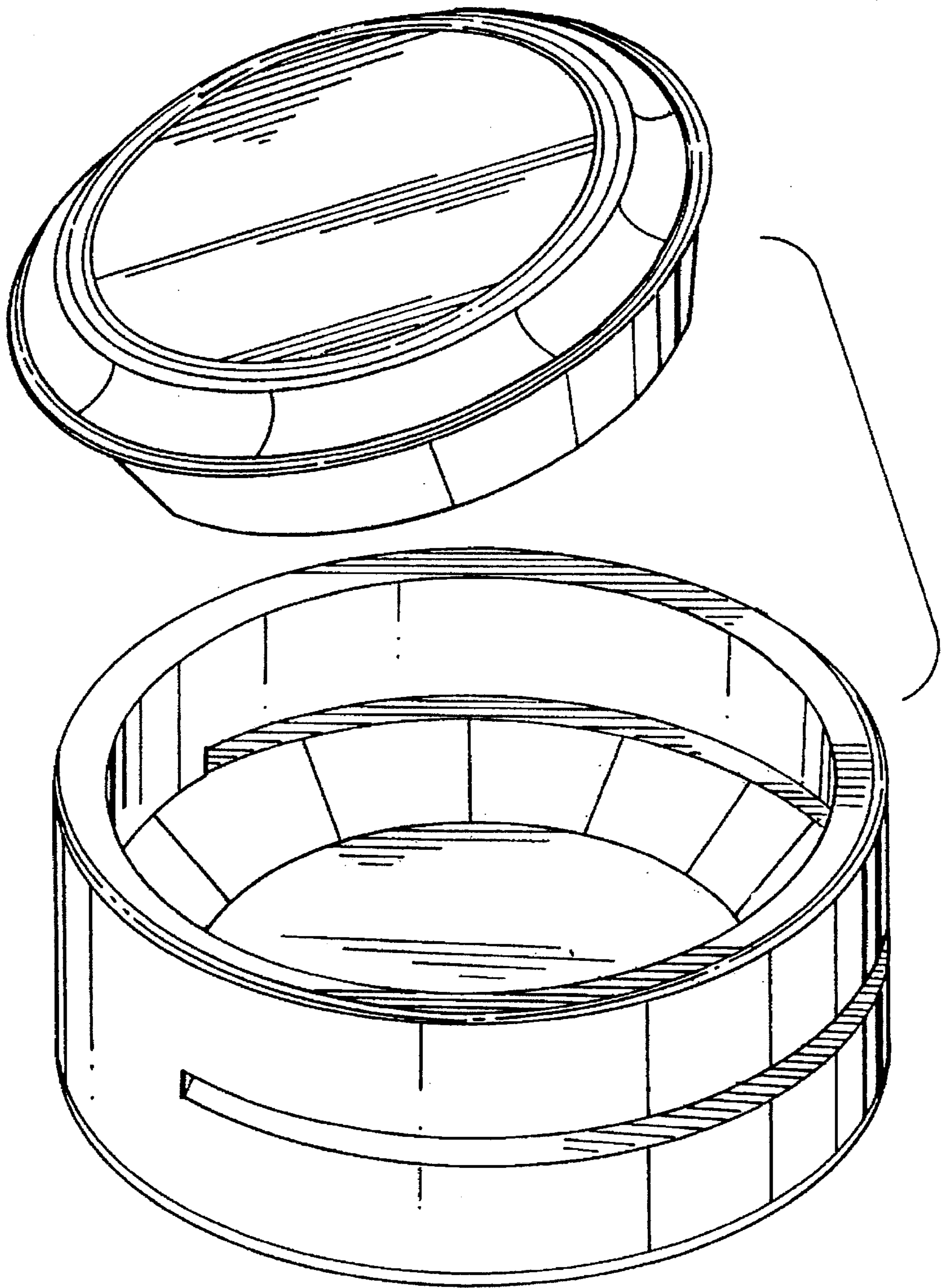


FIG. 7