



US00D379901S

United States Patent [19]

[11] Patent Number: **Des. 379,901**

Lillelund et al.

[45] Date of Patent: ****Jun. 17, 1997**

[54] **SERVING SET**

[75] Inventors: **Stig Lillelund**, Gentofte, Denmark;
Robert H.C.M. Daenen, Essene, Belgium

[73] Assignee: **Dart Industries, Inc.**, Deerfield, Ill.

[**] Term: **14 Years**

[21] Appl. No.: **45,679**

[22] Filed: **Oct. 26, 1995**

Related U.S. Application Data

[62] Division of Ser. No. 20,161, Mar. 24, 1994, Pat. No. Des. 365,498.

[51] **LOC (6) Cl.** **07-01**

[52] **U.S. Cl.** **D7/505; D7/538**

[58] **Field of Search** **D7/505, 542, 538, D7/540, 543, 601, 602, 500, 501, 507, 546, 547, 553, 554, 571, 555, 584, 585; 220/556, 557, 23.4, 524, 4.26, 306; 206/562, 519, 557; D9/506, 428**

[56] **References Cited**

U.S. PATENT DOCUMENTS

- D. 224,553 8/1972 Swett et al. D7/542
- D. 244,065 4/1977 Daenen D9/428 X

- D. 260,469 9/1981 Blake et al. D7/540 X
- D. 284,060 6/1986 Adams D7/538
- D. 286,360 10/1986 Trivison D7/540
- D. 287,802 1/1987 Daenen D7/540
- D. 289,269 4/1987 Fleckenstein D7/538 X
- D. 294,322 2/1988 Weemink D7/505
- D. 304,659 11/1989 Asner D7/505
- D. 312,554 12/1990 Daenen et al. D7/501

OTHER PUBLICATIONS

Take-Apart Plastic Picnic Basket, The Washington Star Home/Life Mag May 8, 1977 p. 12.

Primary Examiner—M. N. Pandozzi
Attorney, Agent, or Firm—John A. Doninger

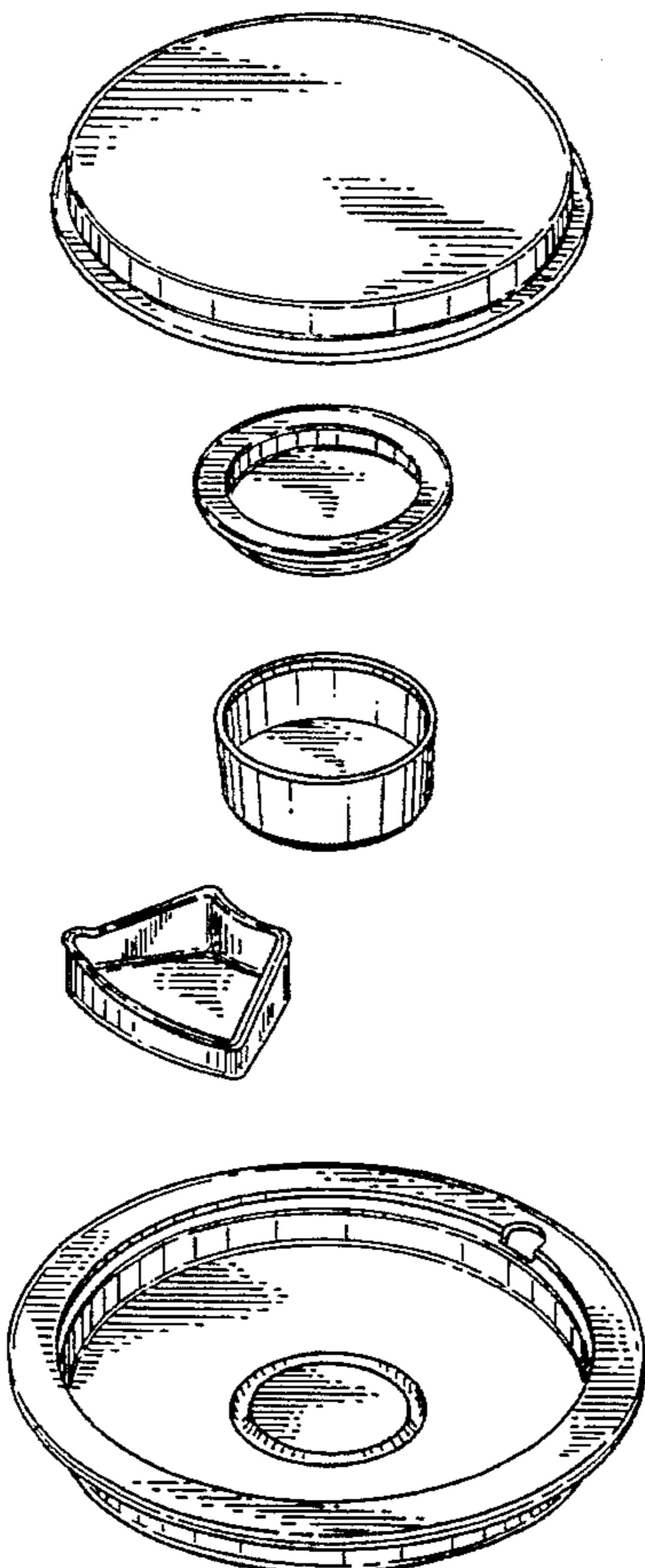
[57] **CLAIM**

The ornamental design for a serving set, as shown and described.

DESCRIPTION

FIG. 1 is a top perspective view of a serving set showing our new design;
 FIG. 2 is an elevational view thereof, all elevations being the same;
 FIG. 3 is a top plan view thereof;
 FIG. 4 is a bottom plan view thereof;
 FIG. 5 is an exploded perspective view thereof; and,
 FIG. 6 is a cross-section view on line 6—6 in FIG. 3.

1 Claim, 4 Drawing Sheets



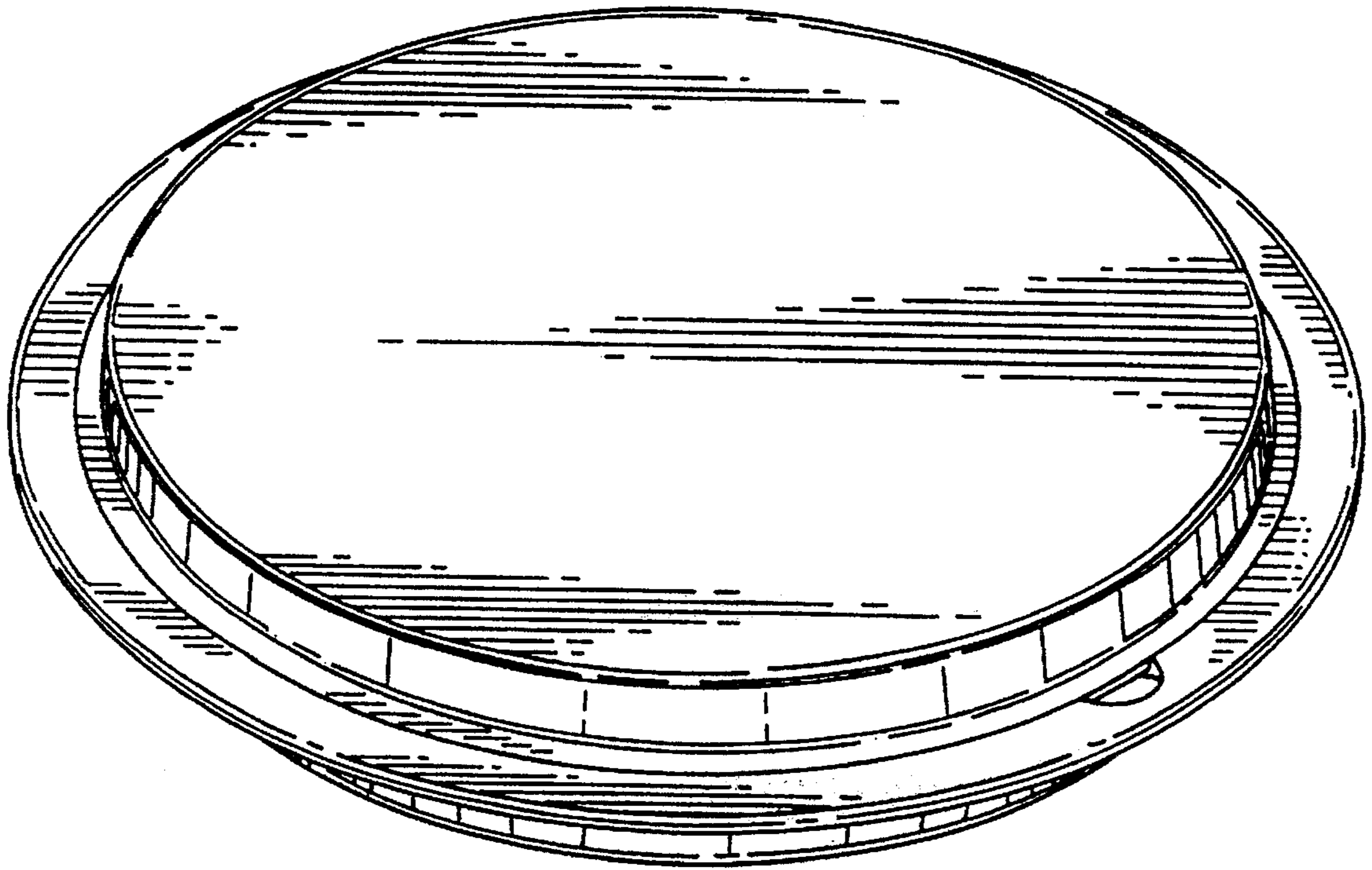


FIG. 1

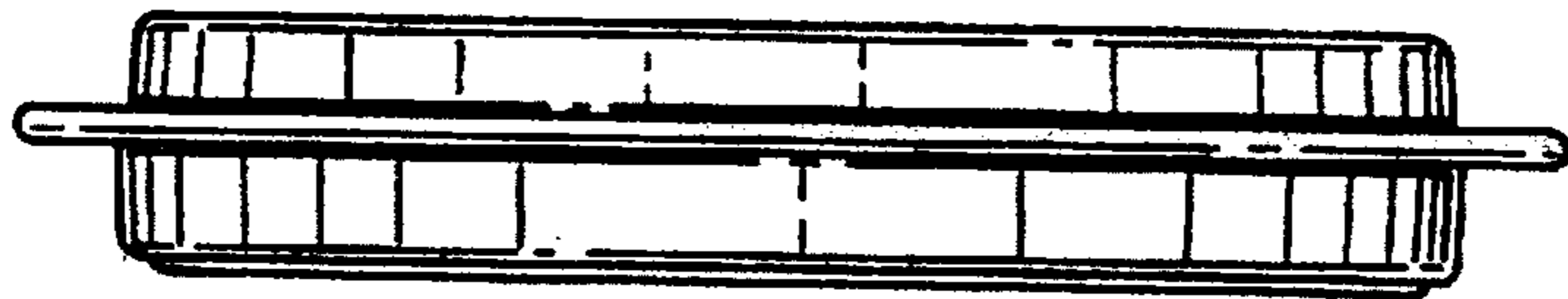


FIG. 2

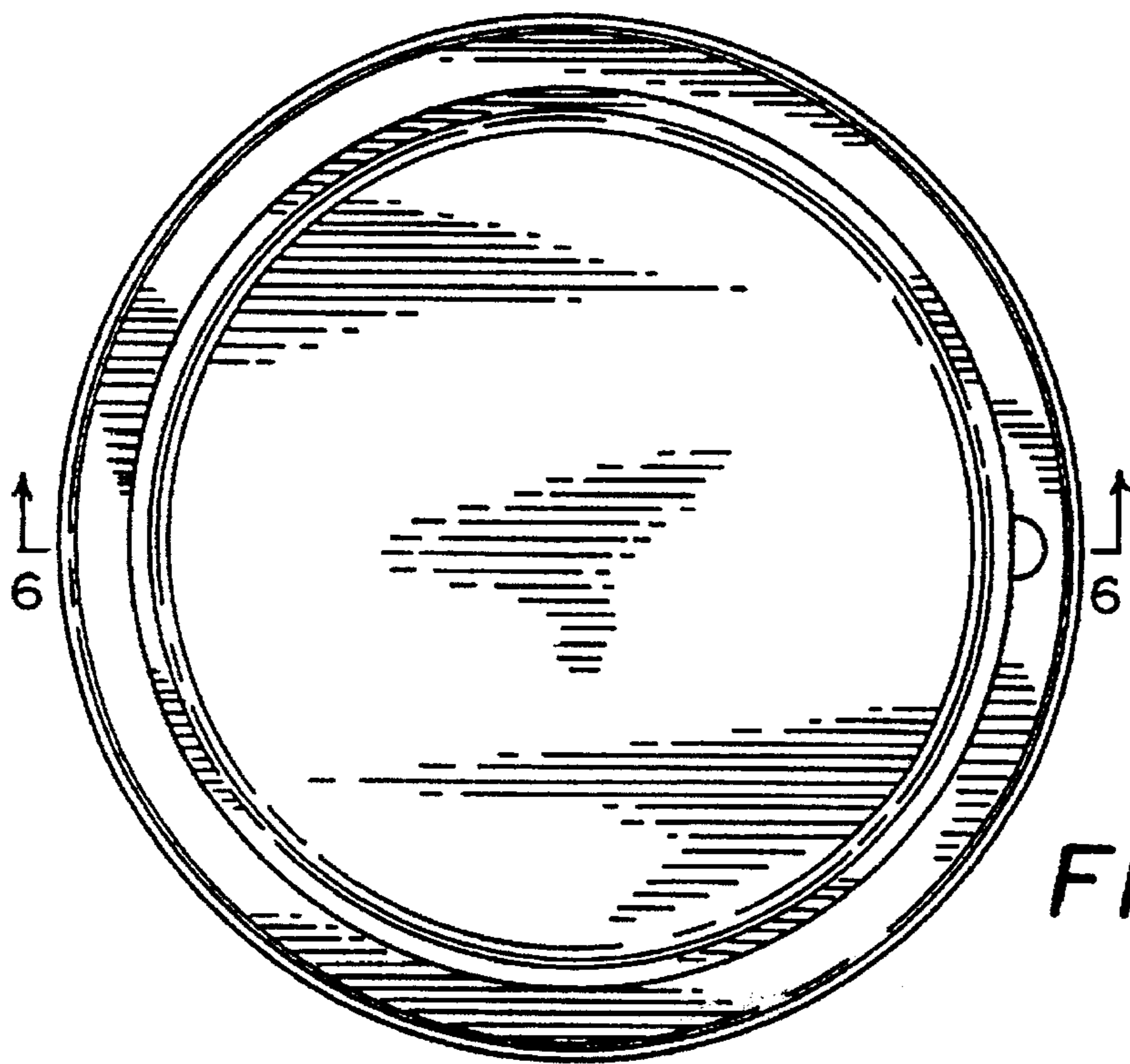


FIG. 3

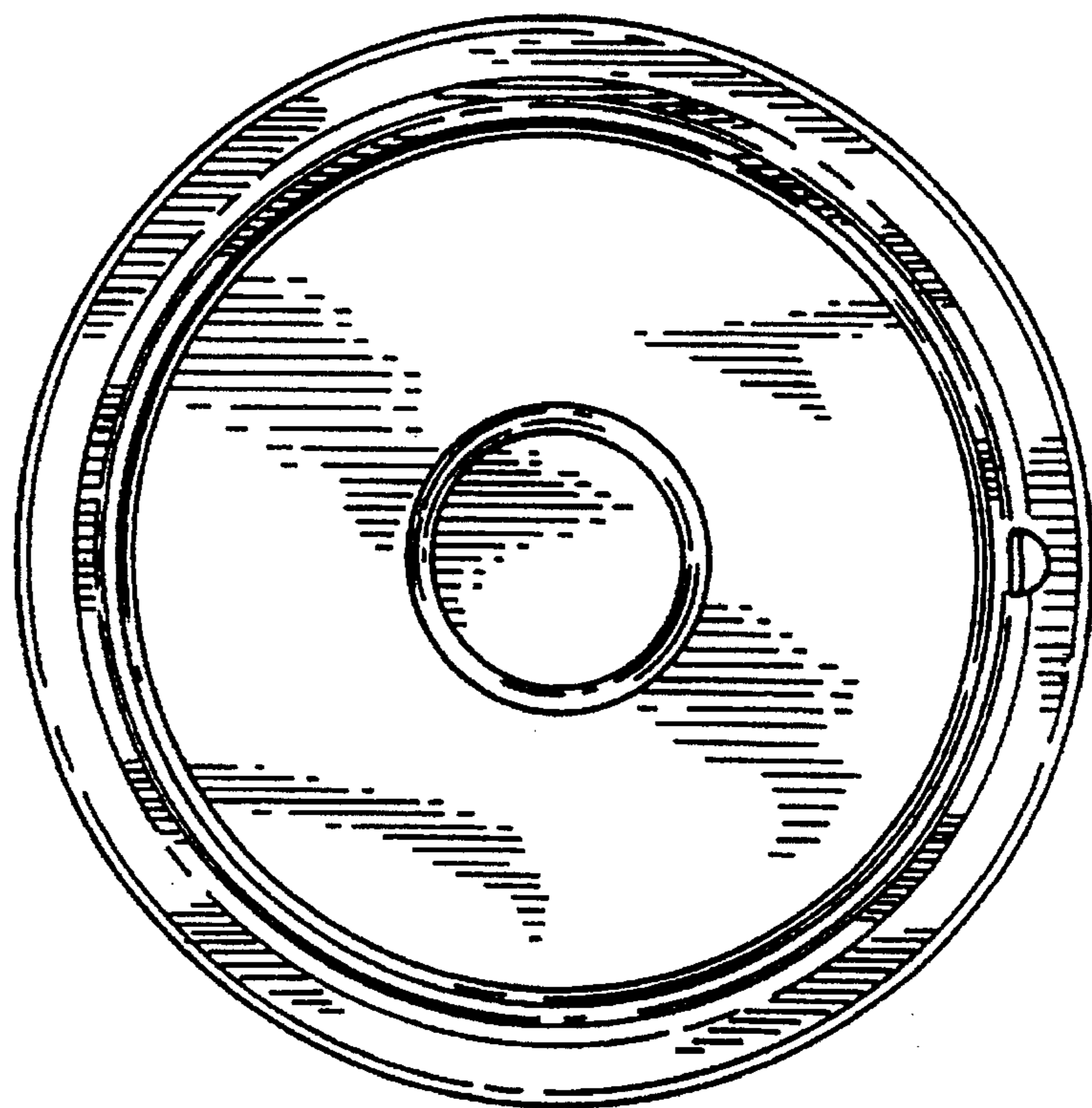


FIG. 4

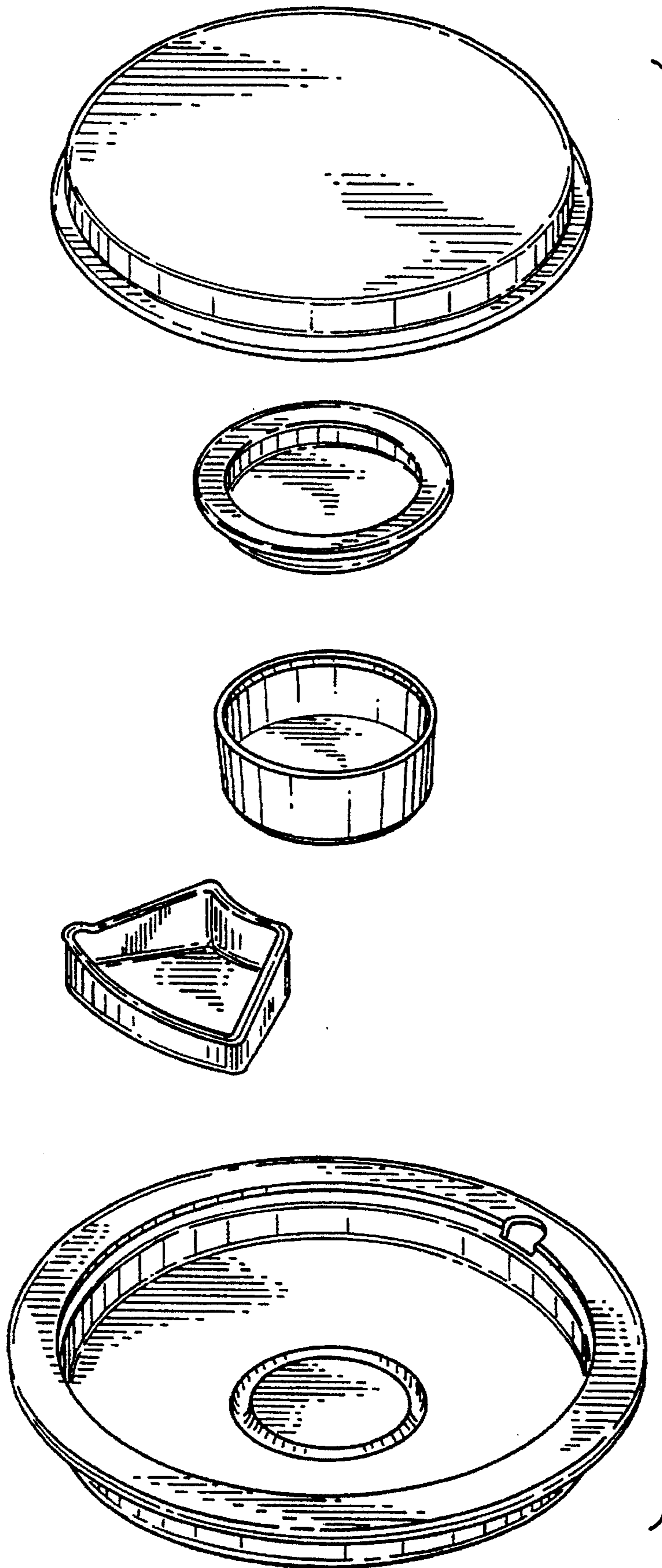


FIG. 5

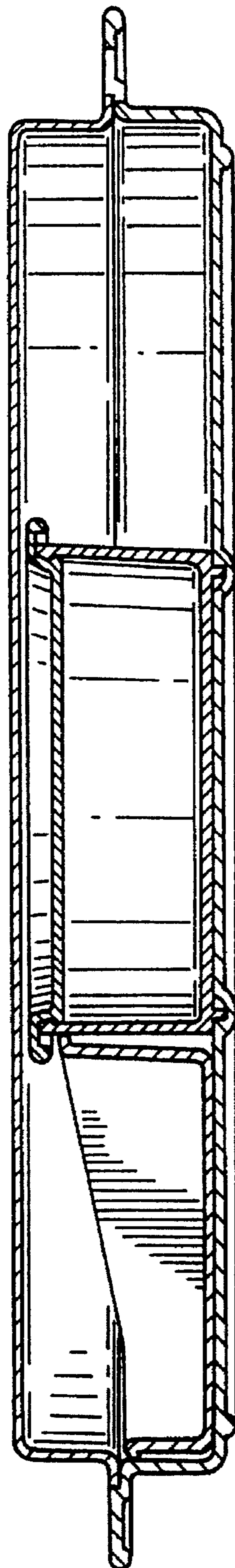


FIG. 6