



US00D379900S

United States Patent [19]

Gillam et al.

[11] Patent Number: **Des. 379,900**

[45] Date of Patent: ****Jun. 17, 1997**

[54] **PORTABLE GRILL**

[75] Inventors: **Ernie Gillam**, Crestwood; **Allan Lerch**, Louisville, both of Ky.; **Calvin Sprinkle**, Borden, Ind.; **Richard Bird**, Louisville, Ky.

[73] Assignee: **Porcelain Metals Corporation**, Louisville, Ky.

[**] Term: **14 Years**

[21] Appl. No.: **26,712**

[22] Filed: **Aug. 9, 1994**

[51] LOC (6) Cl. **07-02**

[52] U.S. Cl. **D7/337; D7/332**

[58] Field of Search **D7/332-337, 402-404; 126/25 R, 25 A, 25 AA, 25 B, 9 R, 9 B, 19 R, 29-30, 38, 40, 50, 59.5**

[56] References Cited

U.S. PATENT DOCUMENTS

D. 193,163	7/1962	Levi	D7/337
D. 270,420	9/1983	Baugh	D7/337
D. 287,091	12/1986	Elliston	D7/337
D. 292,163	10/1987	Mashburn et al.	D7/337
D. 293,194	12/1987	Stephen et al. .	
2,860,624	11/1958	Eddy .	
2,910,930	11/1959	Hankoff .	
3,327,699	12/1965	Udea .	
3,765,397	10/1973	Henderson	126/9 R
3,807,380	4/1974	Pasiu .	
3,851,639	12/1974	Beddoe .	
4,337,751	7/1982	Sampson et al. .	
4,498,452	2/1985	Schlosser et al. .	
4,508,024	4/1985	Perkins	49/445
4,587,947	5/1986	Tomita .	
4,762,114	8/1988	Blankenship .	
4,895,134	1/1990	Fielding et al. .	

4,909,235 3/1990 Boetcker .
5,218,950 6/1993 Hait .

Primary Examiner—Ruth McInroy
Attorney, Agent, or Firm—Middleton & Reutlinger; David W. Carrithers

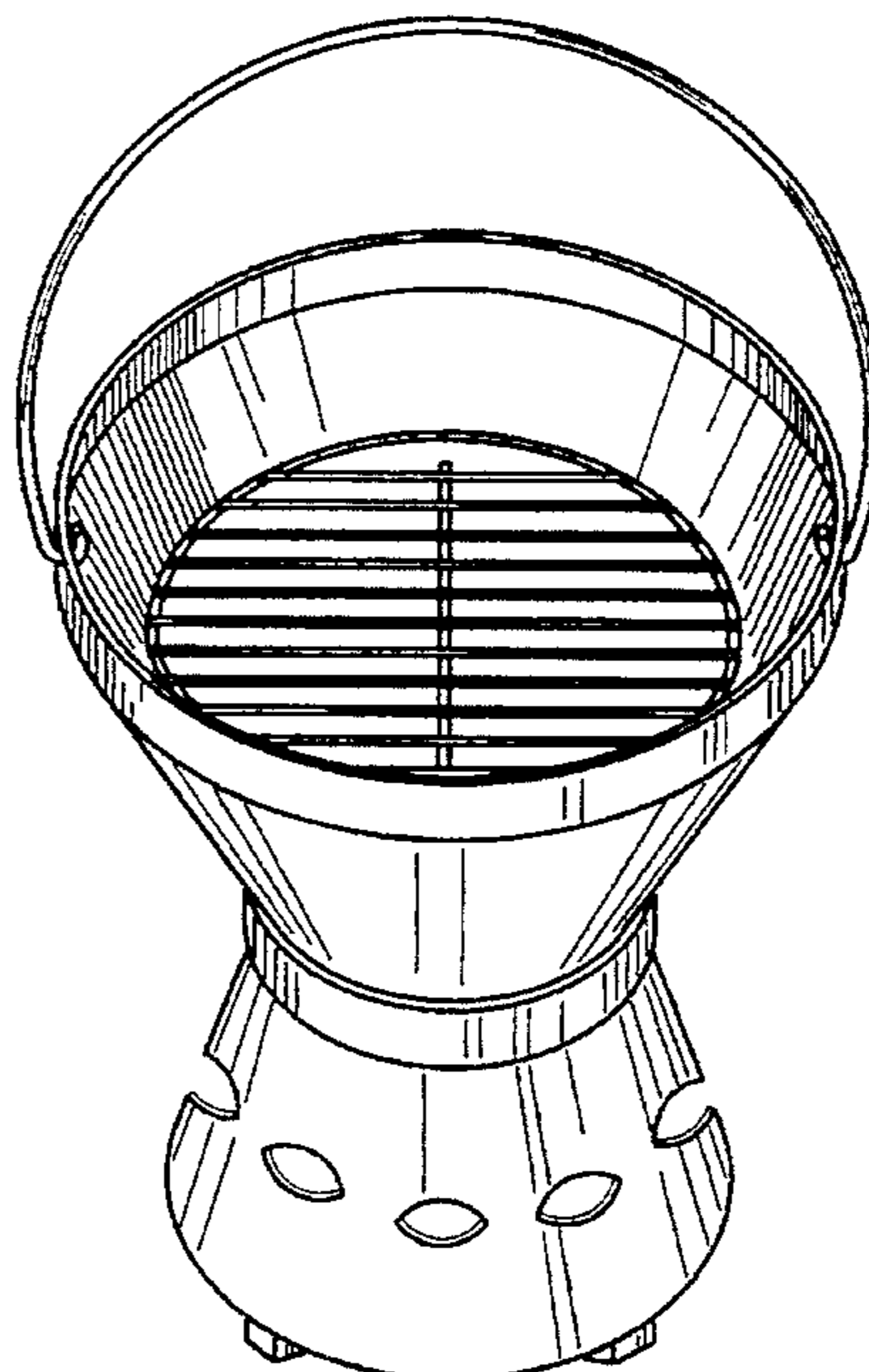
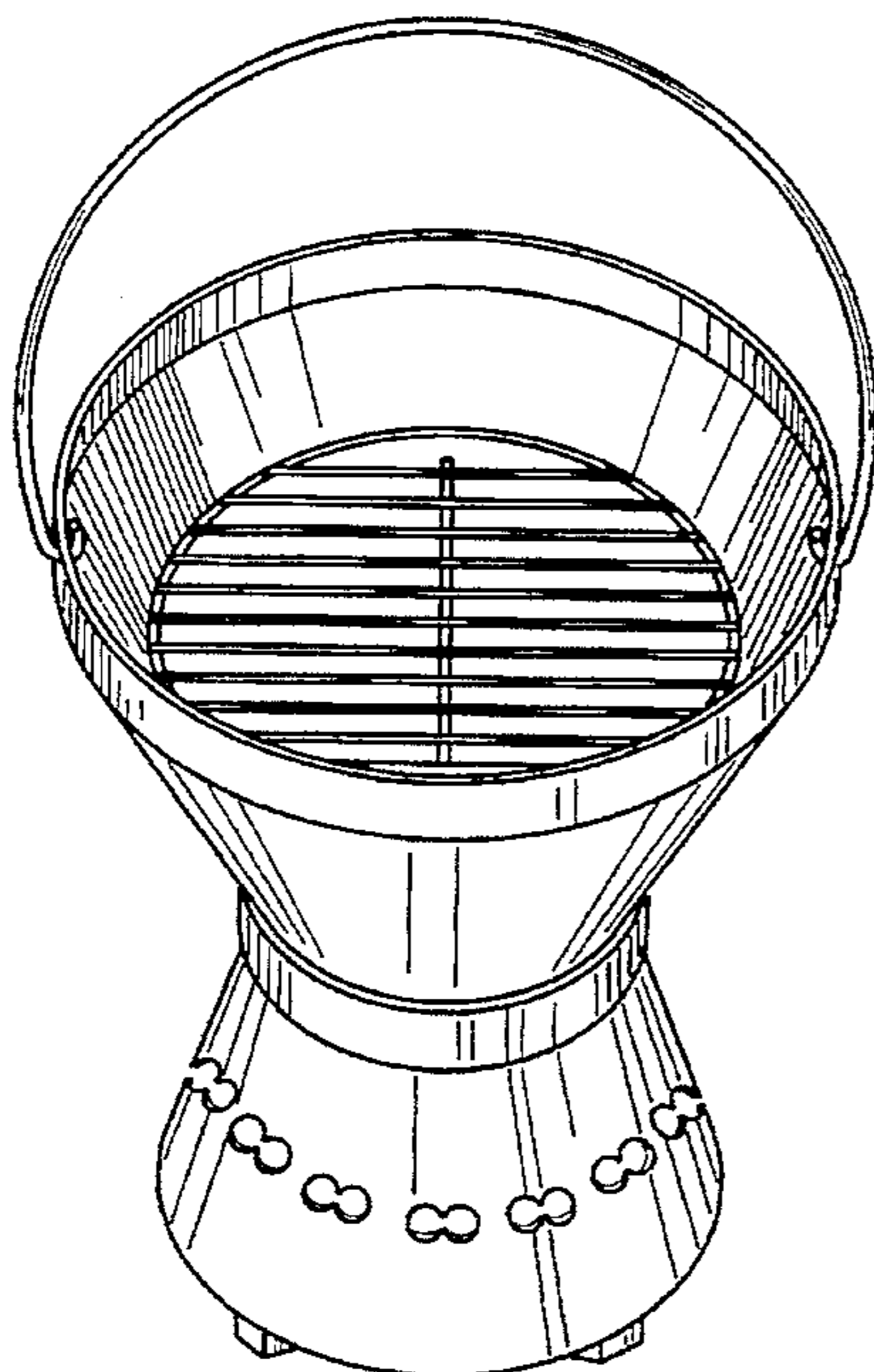
[57] CLAIM

The ornamental design for a portable grill, as shown and described.

DESCRIPTION

FIG. 1 is a perspective view of a portable grill showing our new design, the grill is shown in an erected position having an upper section supported by a lower section;
 FIG. 2 is a plan top view of FIG. 1;
 FIG. 3 is a plan bottom view of FIG. 1;
 FIG. 4 is an elevational left side view of FIG. 1, the right side view being a mirror image thereof;
 FIG. 5 is an elevational front view of FIG. 1, the rear side view being a mirror image thereof;
 FIG. 6 is a perspective view thereof in the collapsed storage/transport position showing the lower section inverted and nested within the upper section;
 FIG. 7 is a plan top view of FIG. 6;
 FIG. 8 is a plan bottom view of FIG. 6;
 FIG. 9 is an elevational left side view of FIG. 6, the right side view being a mirror image thereof;
 FIG. 10 is an elevational front view of FIG. 6, the rear view being a mirror image thereof;
 FIG. 11 is a perspective view of a second embodiment thereof;
 FIG. 12 is a plan top view of FIG. 11;
 FIG. 13 is a plan bottom view of FIG. 11;
 FIG. 14 is an elevational left side view of FIG. 11, the right side view being a mirror image thereof; and,
 FIG. 15 is an elevational front view of FIG. 11, the rear view being a mirror image thereof.

1 Claim, 3 Drawing Sheets



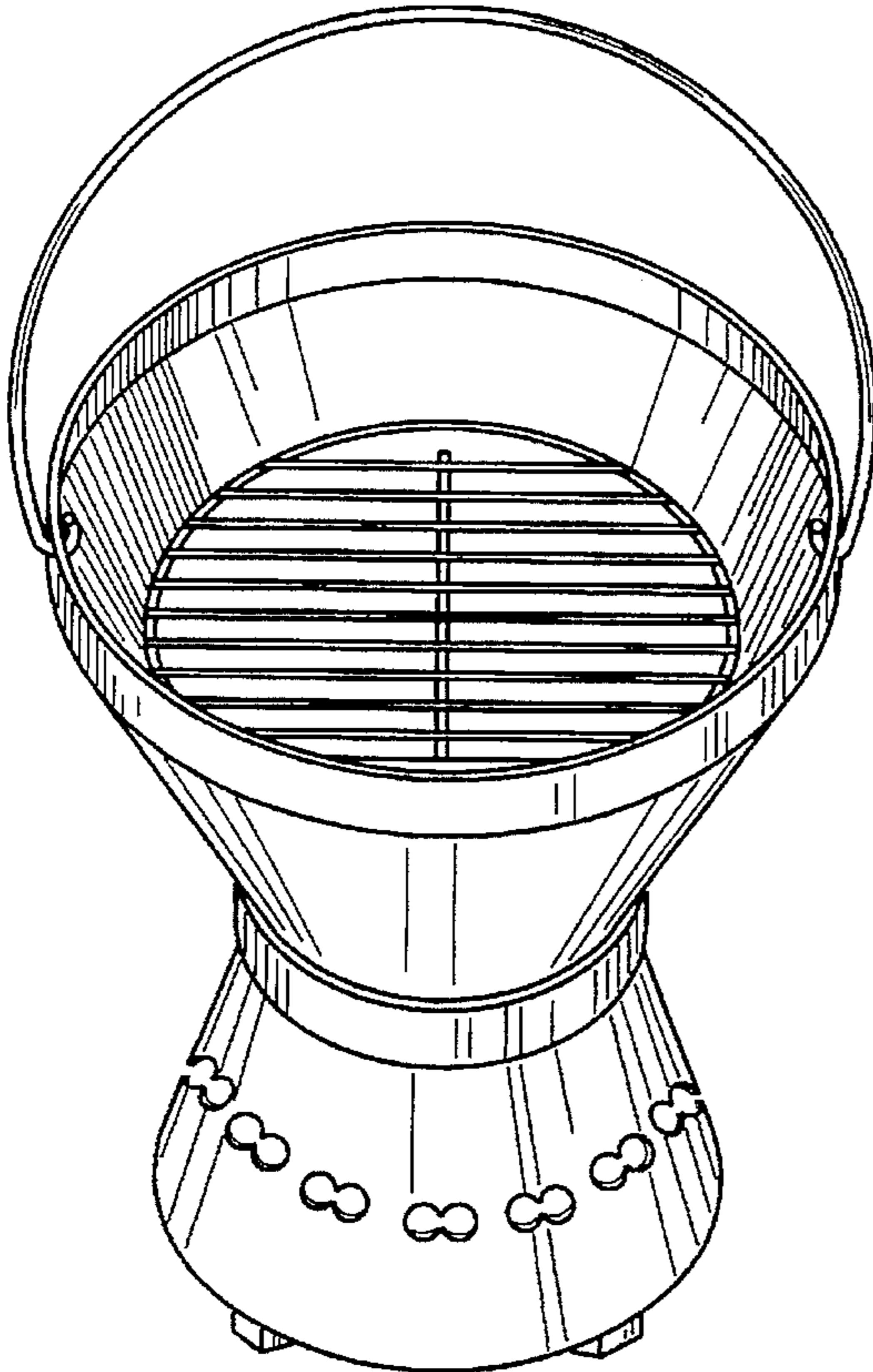


FIG. 1

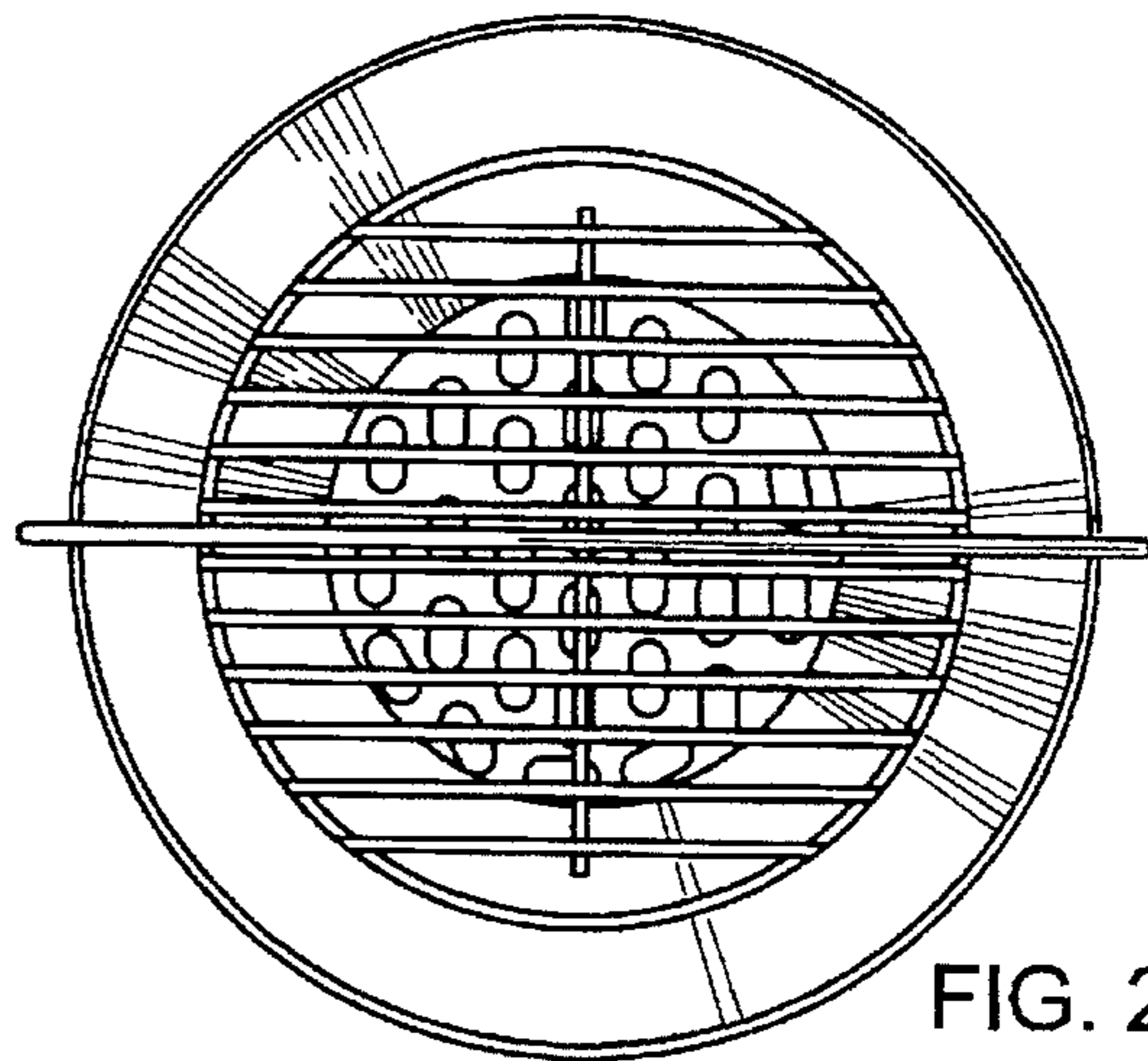


FIG. 2

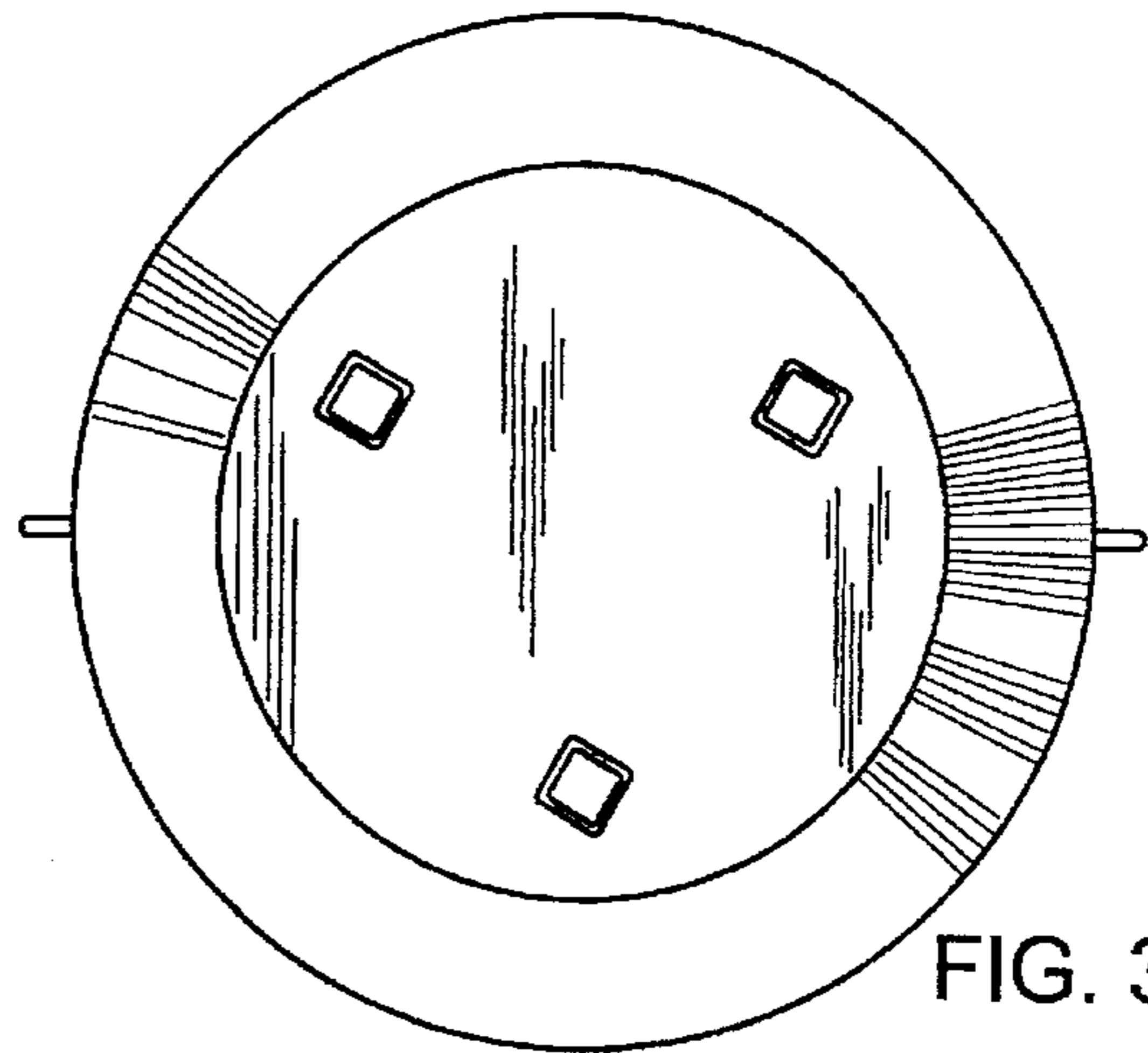


FIG. 3

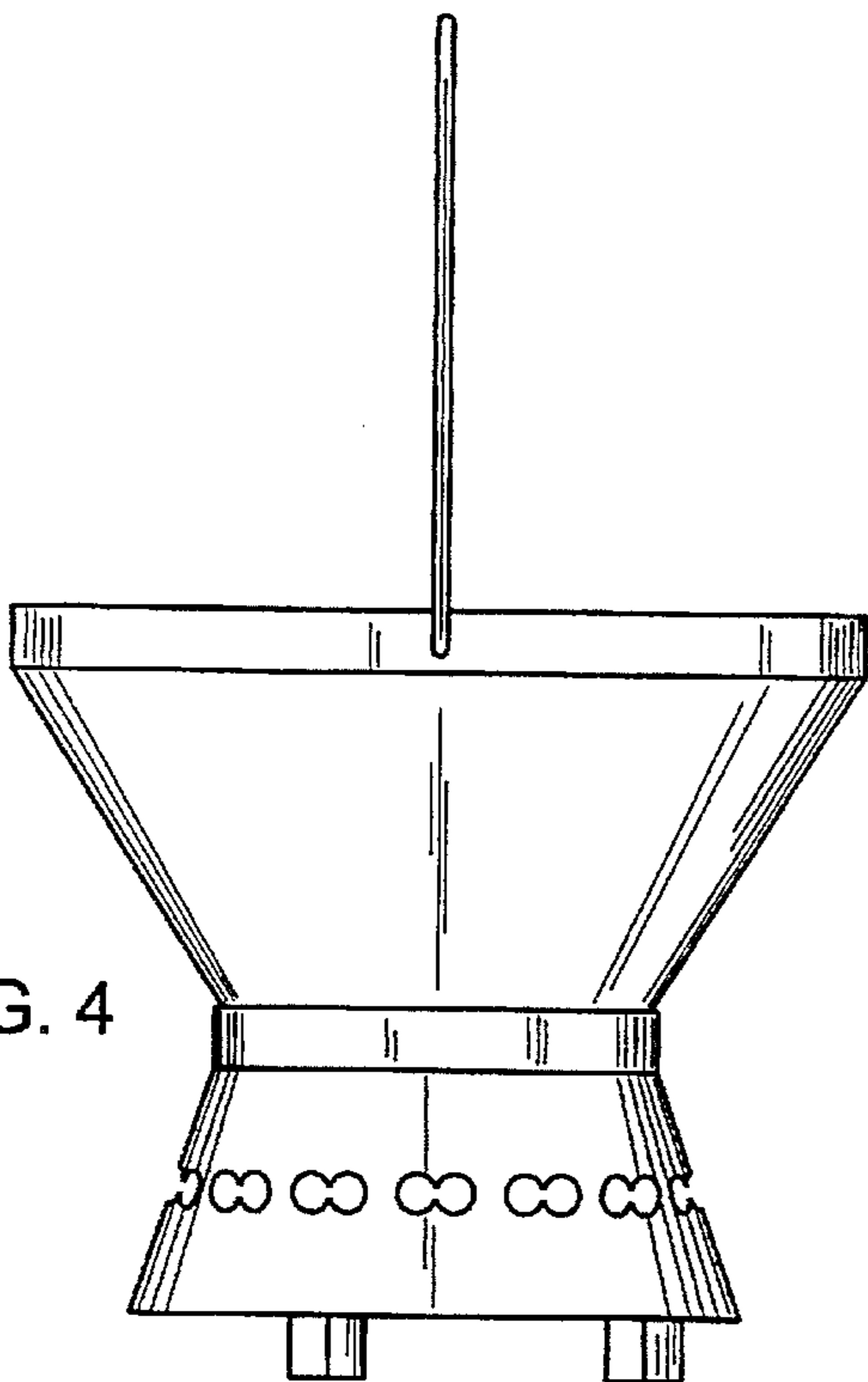


FIG. 4

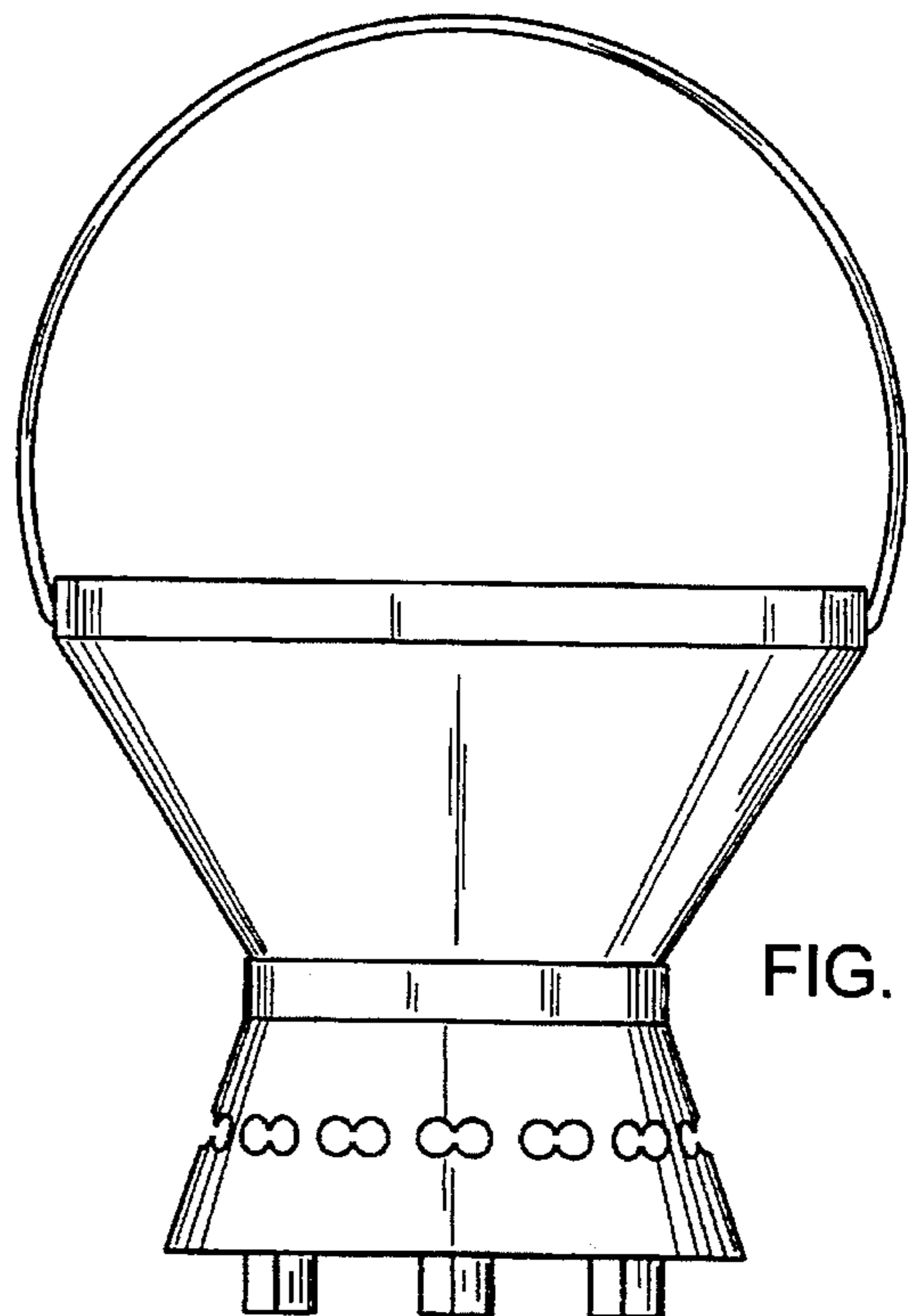


FIG. 5

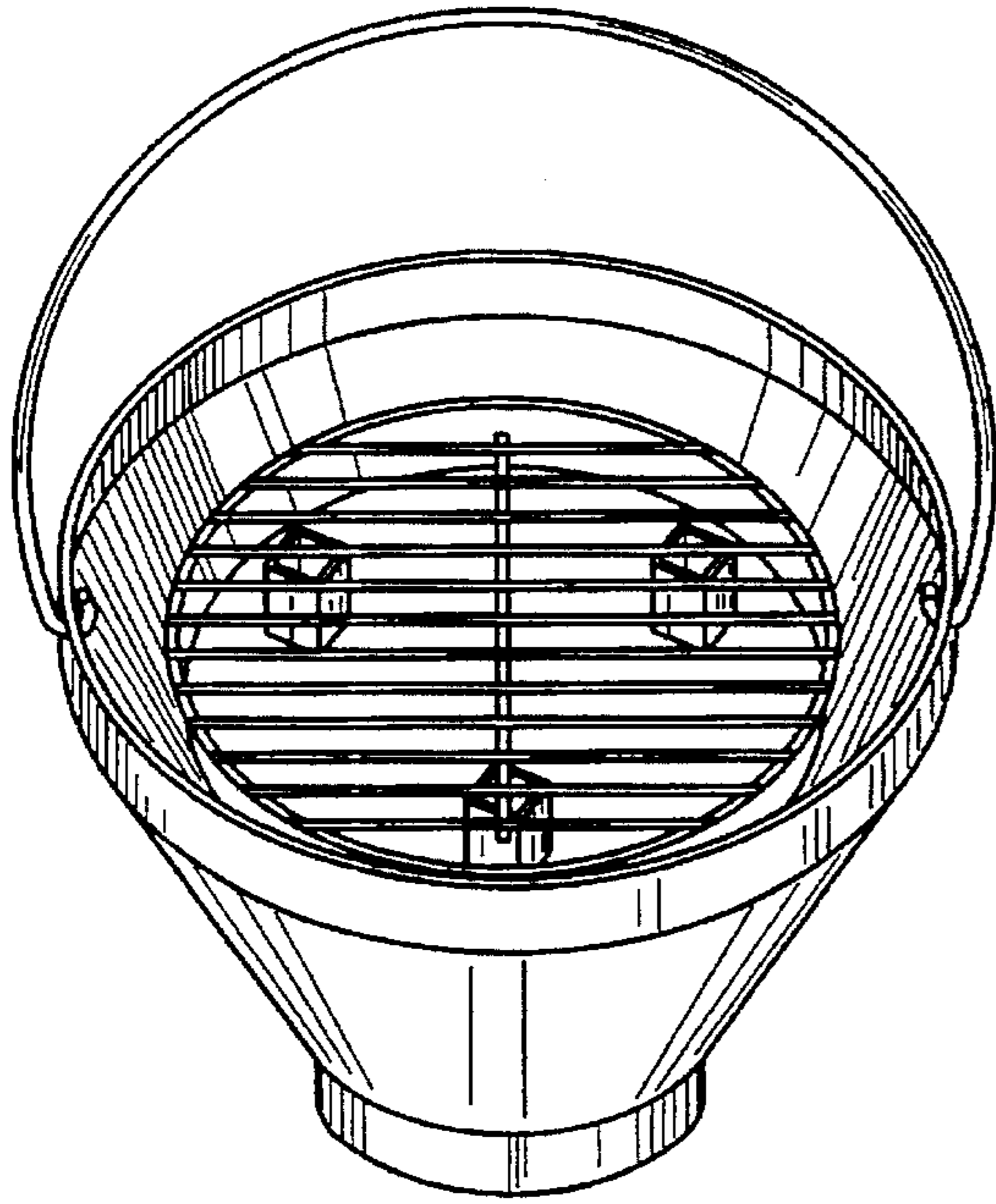


FIG. 6

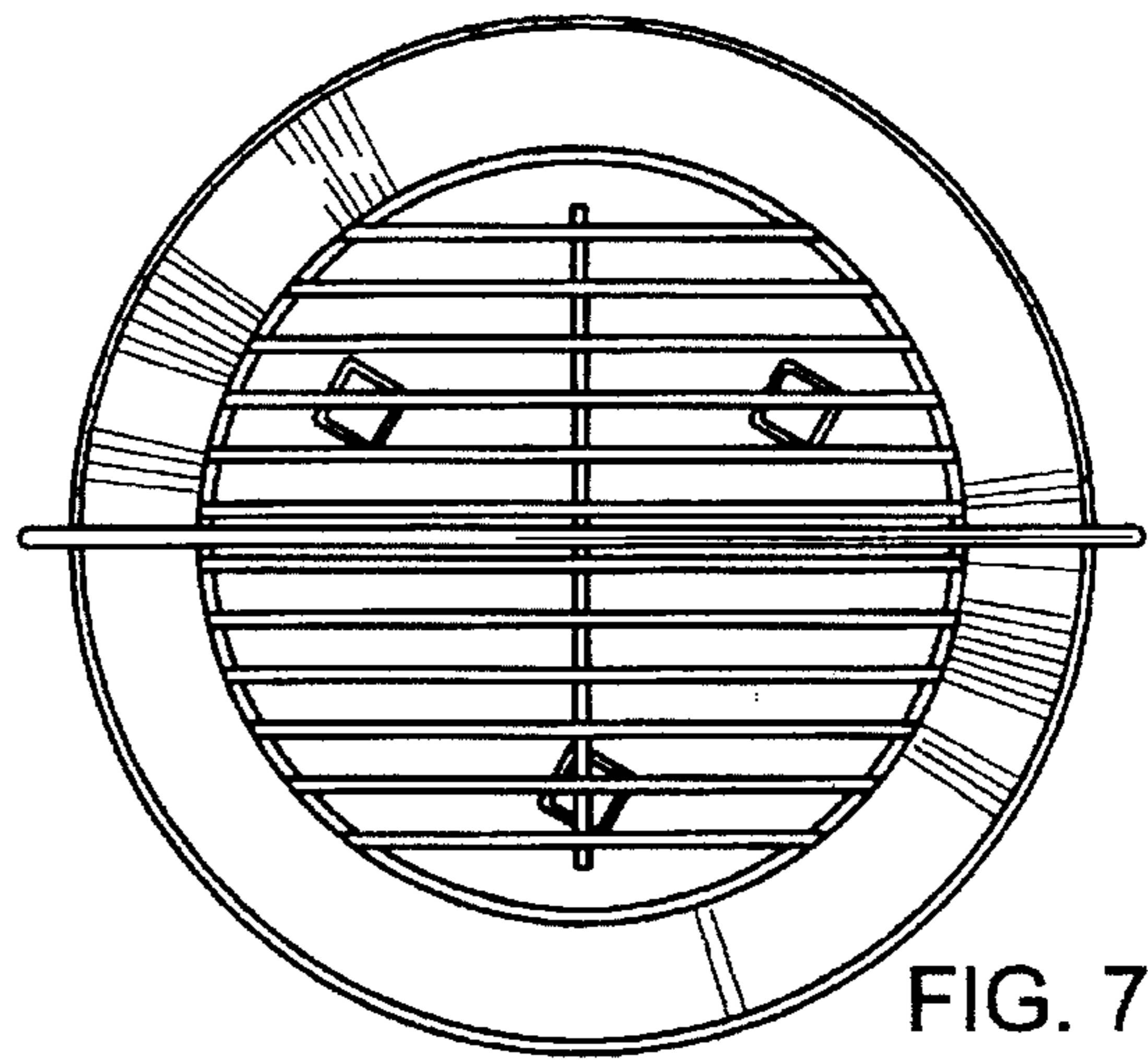


FIG. 7

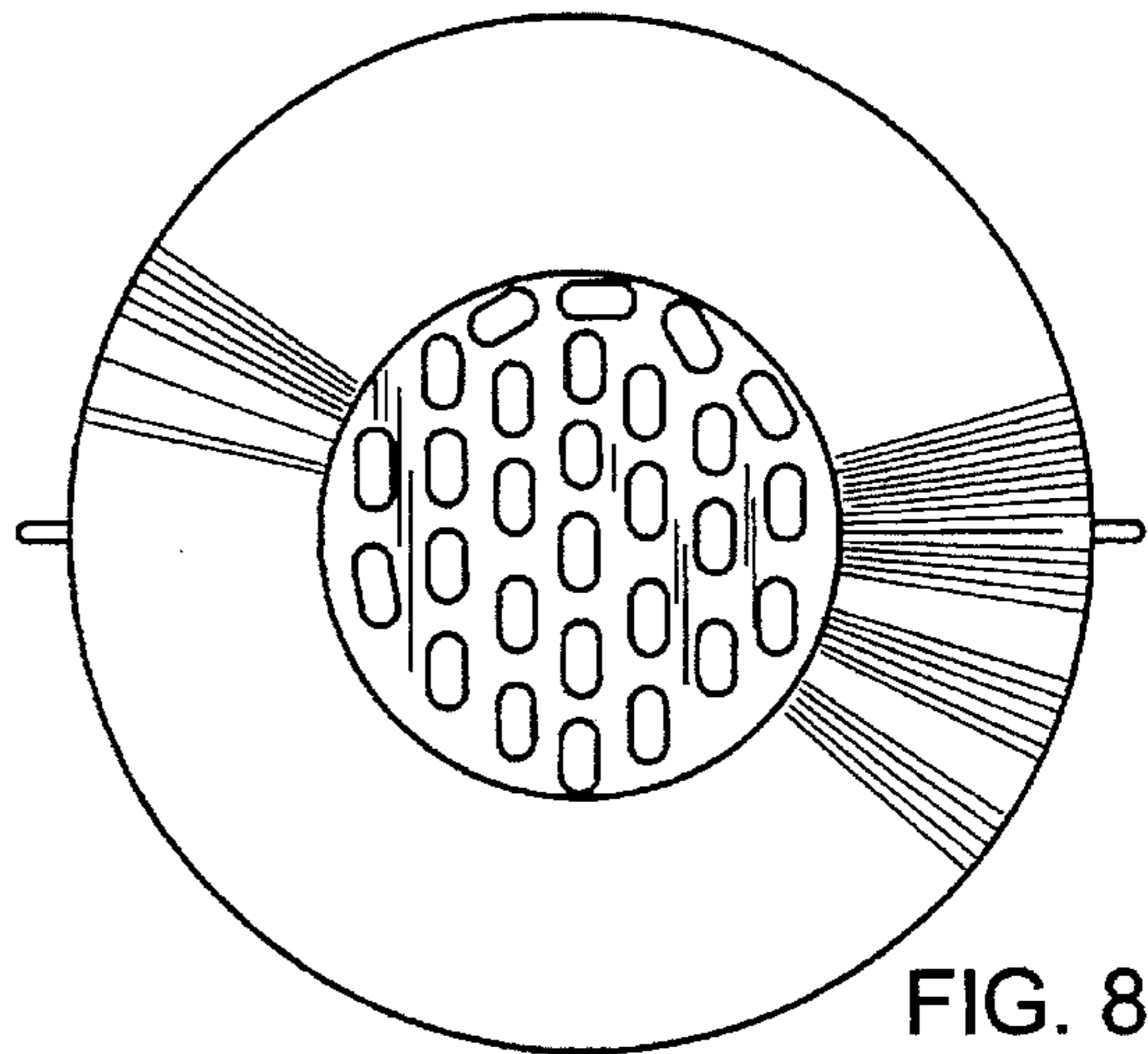


FIG. 8

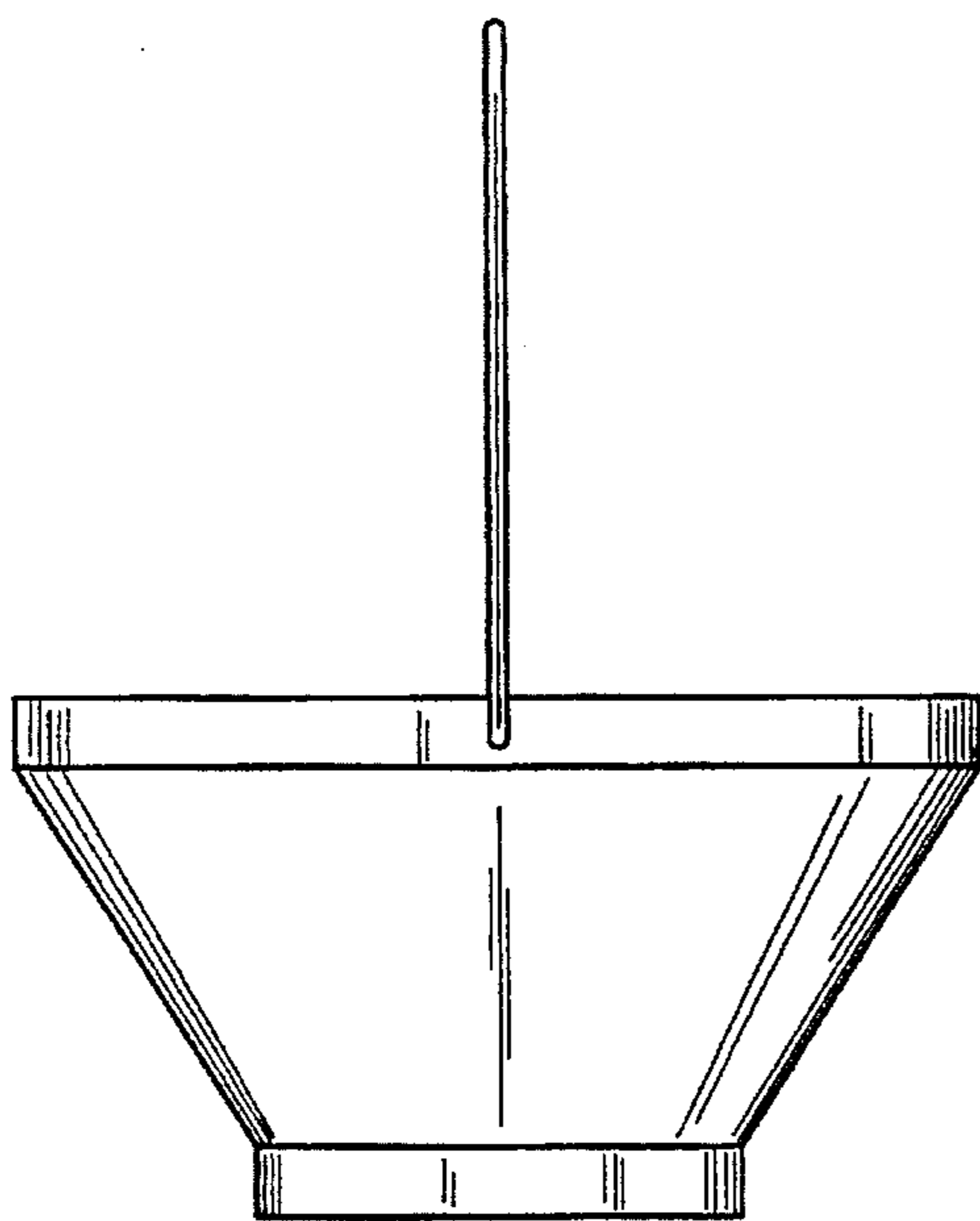


FIG. 9

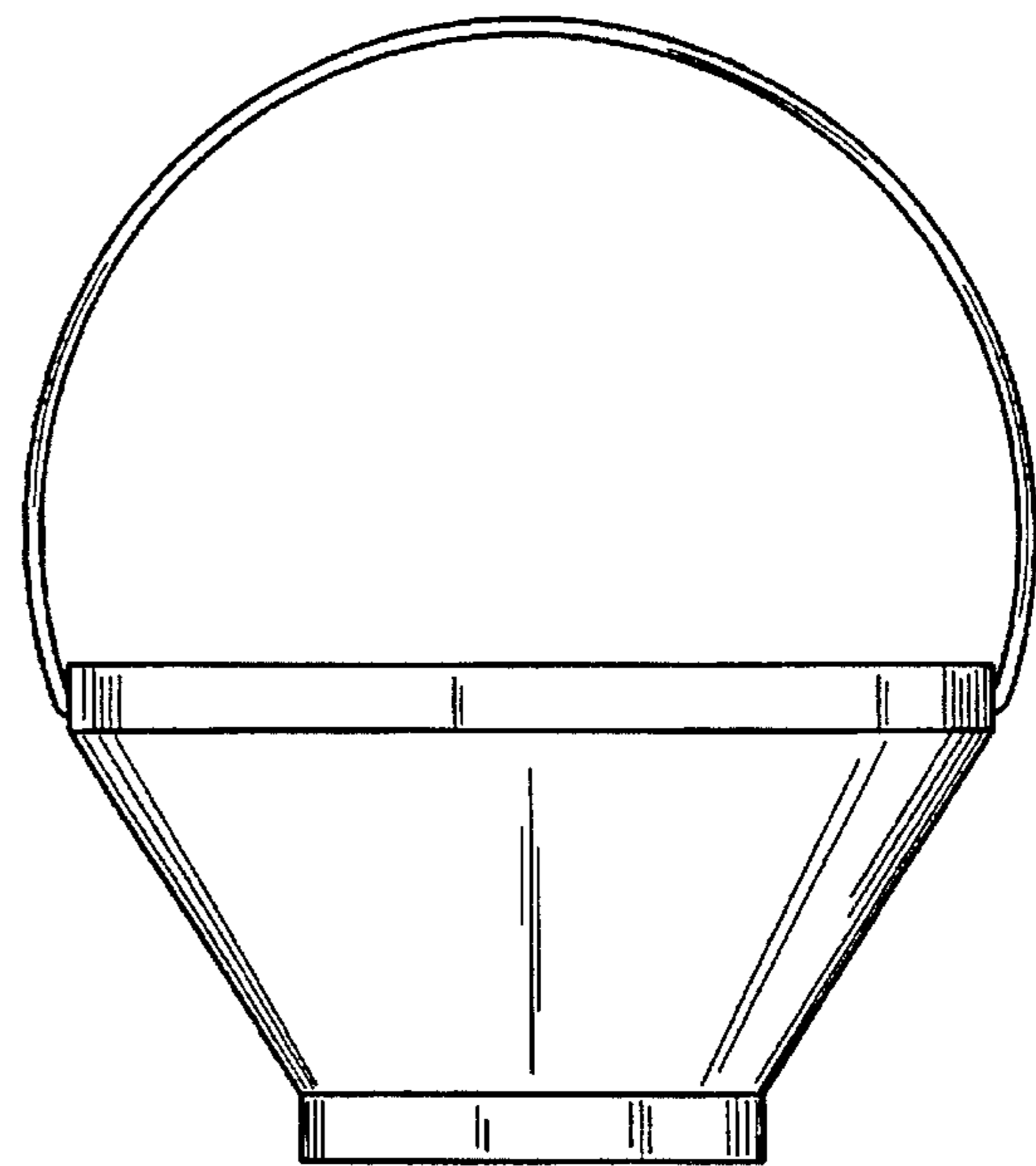


FIG. 10

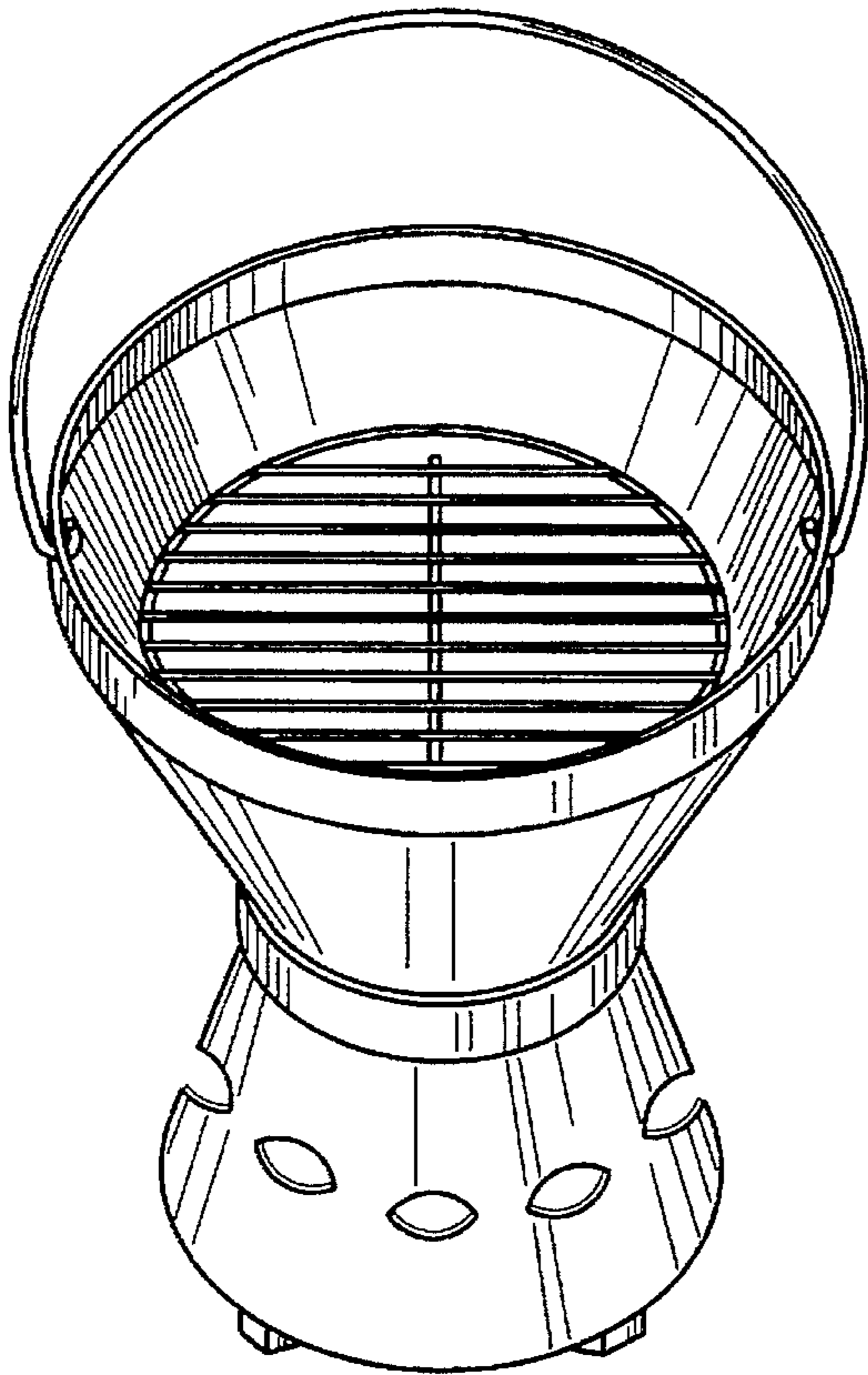


FIG. 11

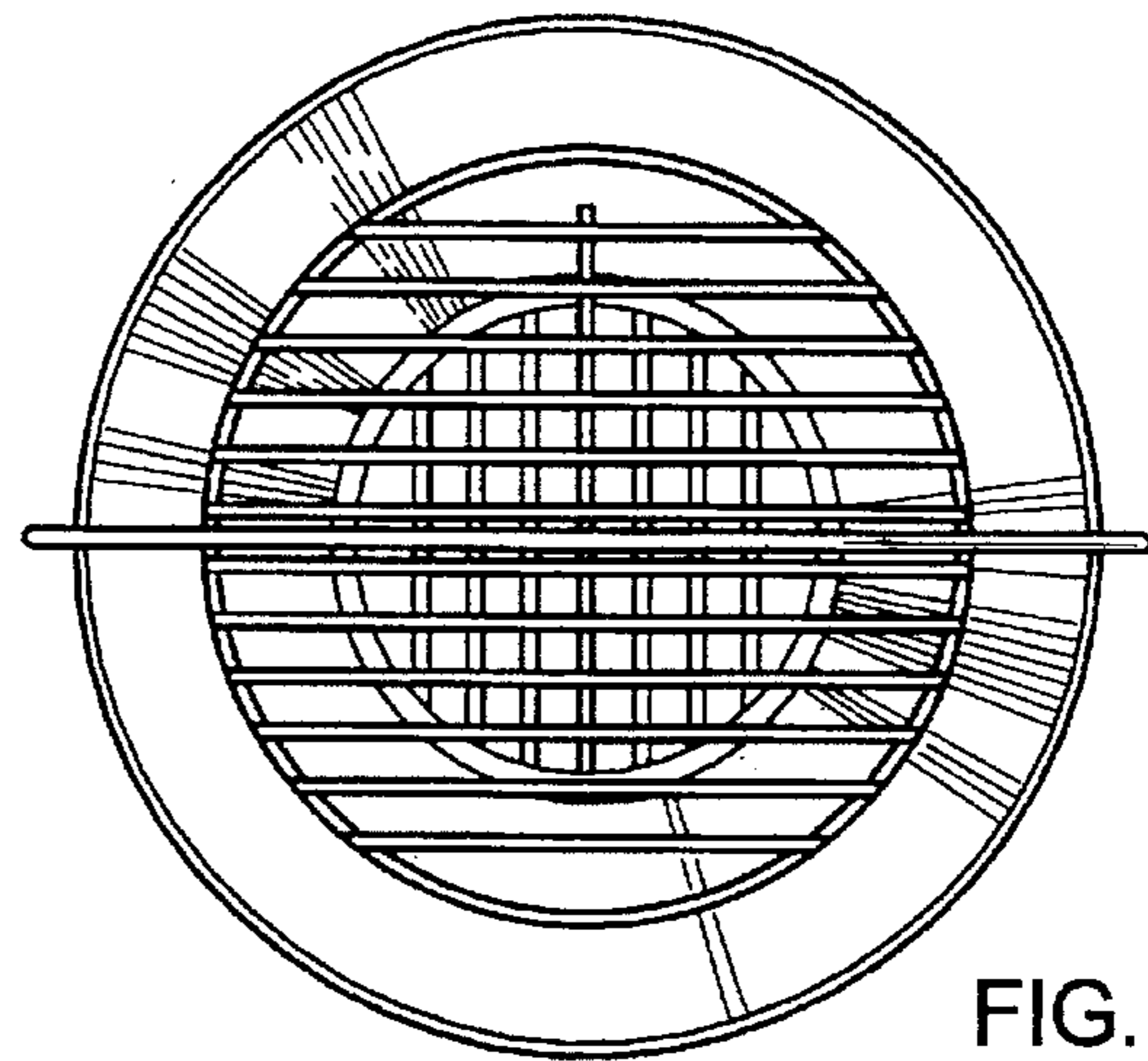


FIG. 12

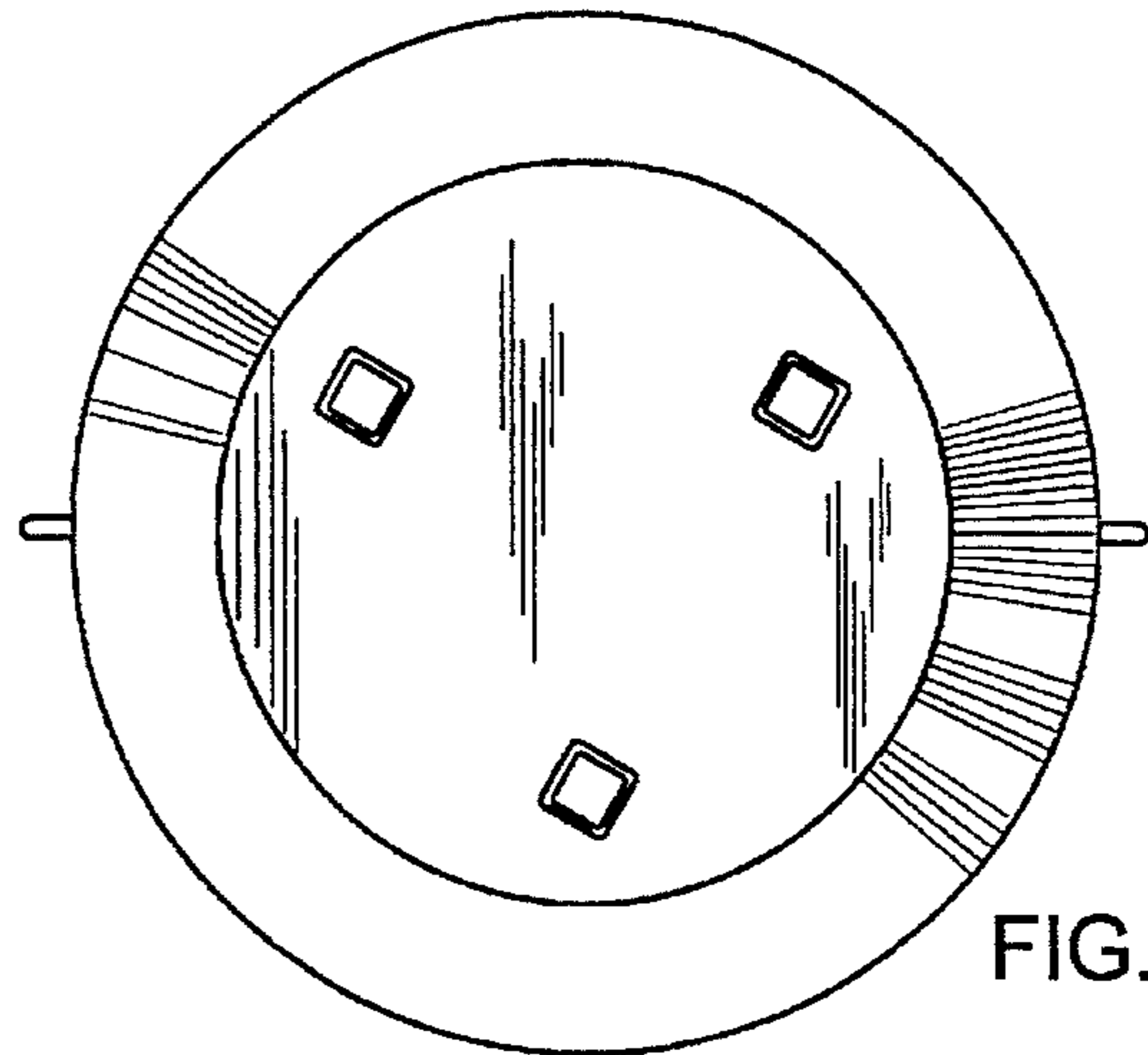


FIG. 13

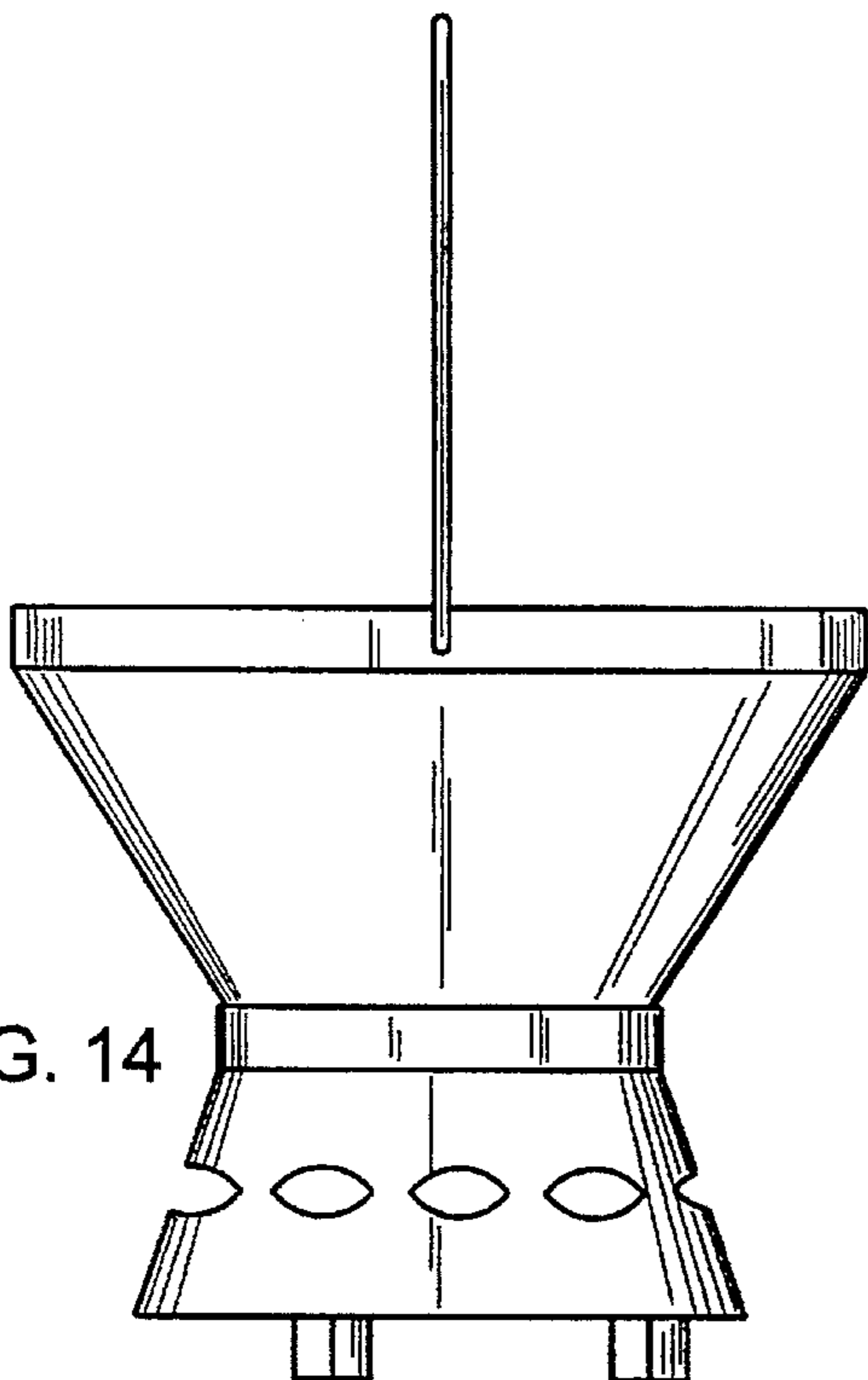


FIG. 14

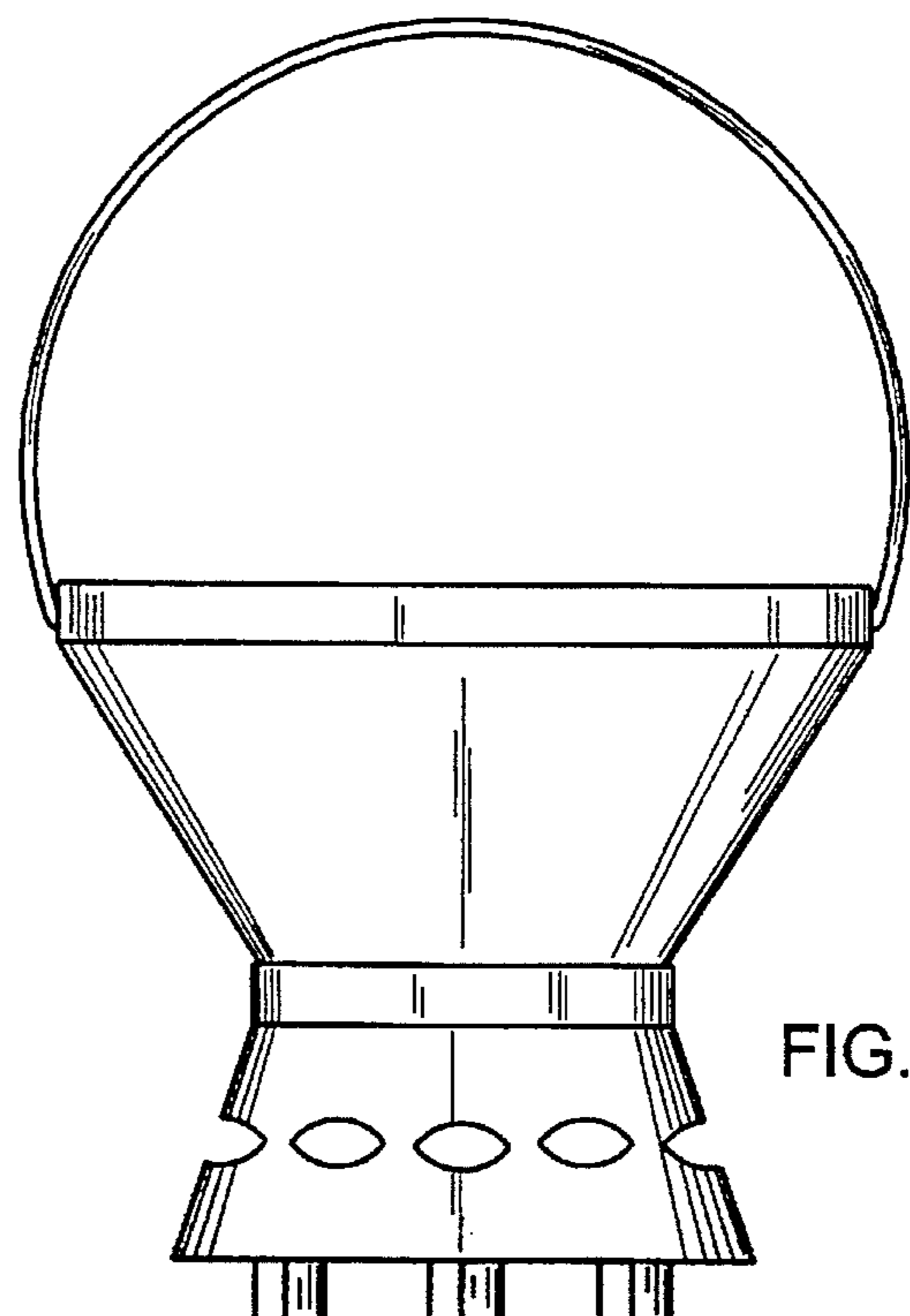


FIG. 15