



US00D379899S

United States Patent [19]

Barthelemy et al.

[11] Patent Number: **Des. 379,899**

[45] Date of Patent: *****Jun. 17, 1997**

[54] **TOASTER WITH WINDOW**

[75] Inventors: **Matt Barthelemy**, Burlingame; **Sonja Schiefer**, Palo Alto, both of Calif.

[73] Assignee: **Sunbeam Products, Inc.**, Fort Lauderdale, Fla.

[*] Notice: The portion of the term of this patent subsequent to Jan. 28, 2011, has been disclaimed.

[**] Term: **14 Years**

[21] Appl. No.: **42,443**

[22] Filed: **Aug. 10, 1995**

[51] LOC (6) Cl. **07-02**

[52] U.S. Cl. **D7/330**

[58] Field of Search D7/323, 328-330, D7/390; 99/327, 341, 372, 385, 389, 391, 392

[56] References Cited

U.S. PATENT DOCUMENTS

D. 99,287 4/1936 Knapp D7/328
D. 296,290 6/1988 Yamanaka D7/330

D. 310,004 8/1990 Storsberg D7/330 X
D. 338,131 8/1993 Stützer D7/328 X
1,656,848 1/1928 Wyatt D7/328 X
1,762,176 6/1930 Kuhn et al. 99/391
4,345,513 8/1982 Holt D7/330 X

Primary Examiner—James Gandy
Assistant Examiner—Caron D. Veynar
Attorney, Agent, or Firm—Michael J. Kline; Charles E. Kosinski

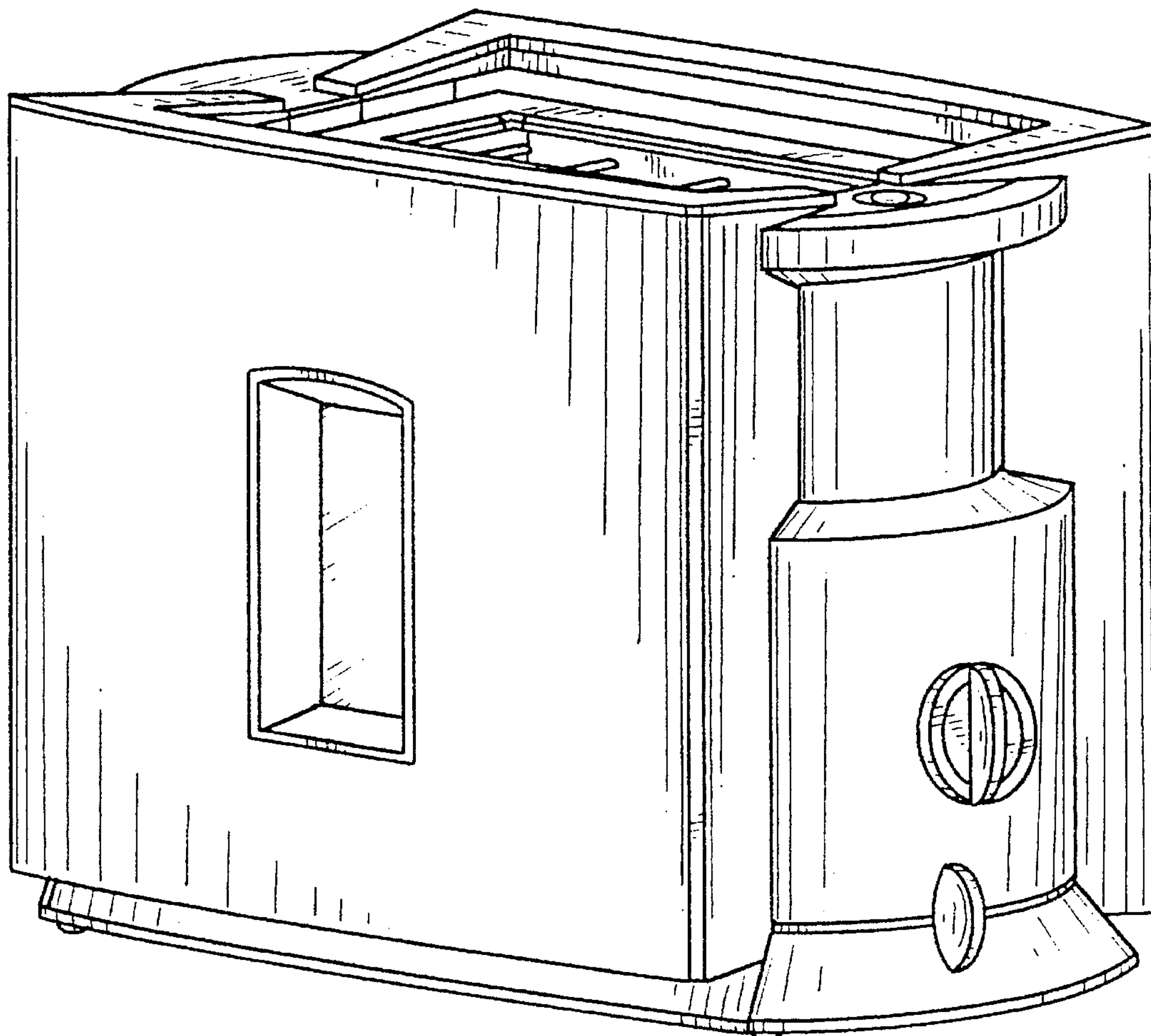
[57] CLAIM

The ornamental design for a toaster with window, as shown and described.

DESCRIPTION

FIG. 1 is a isometric view of a toaster with window of the present invention;
FIG. 2 is a front elevational view of the toaster of FIG. 1;
FIG. 3 is a rear elevational view of the toaster of FIG. 1;
FIG. 4 is a right side elevational view of the toaster of FIG. 1;
FIG. 5 is a left side elevational view of the toaster of FIG. 1;
FIG. 6 is a top plan view of the toaster of FIG. 1; and,
FIG. 7 is a bottom plan view of the toaster of FIG. 1.

1 Claim, 6 Drawing Sheets



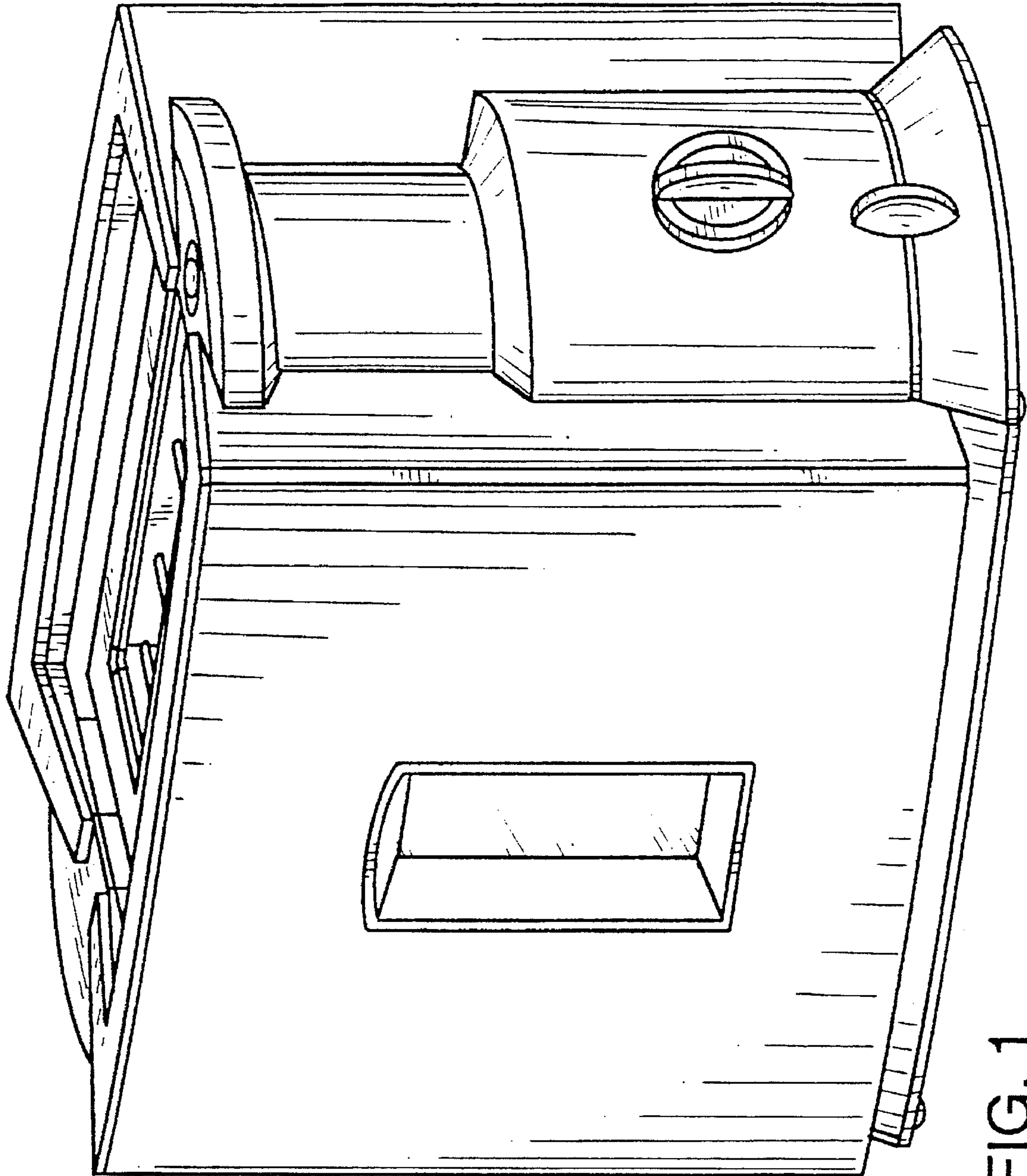


FIG. 1

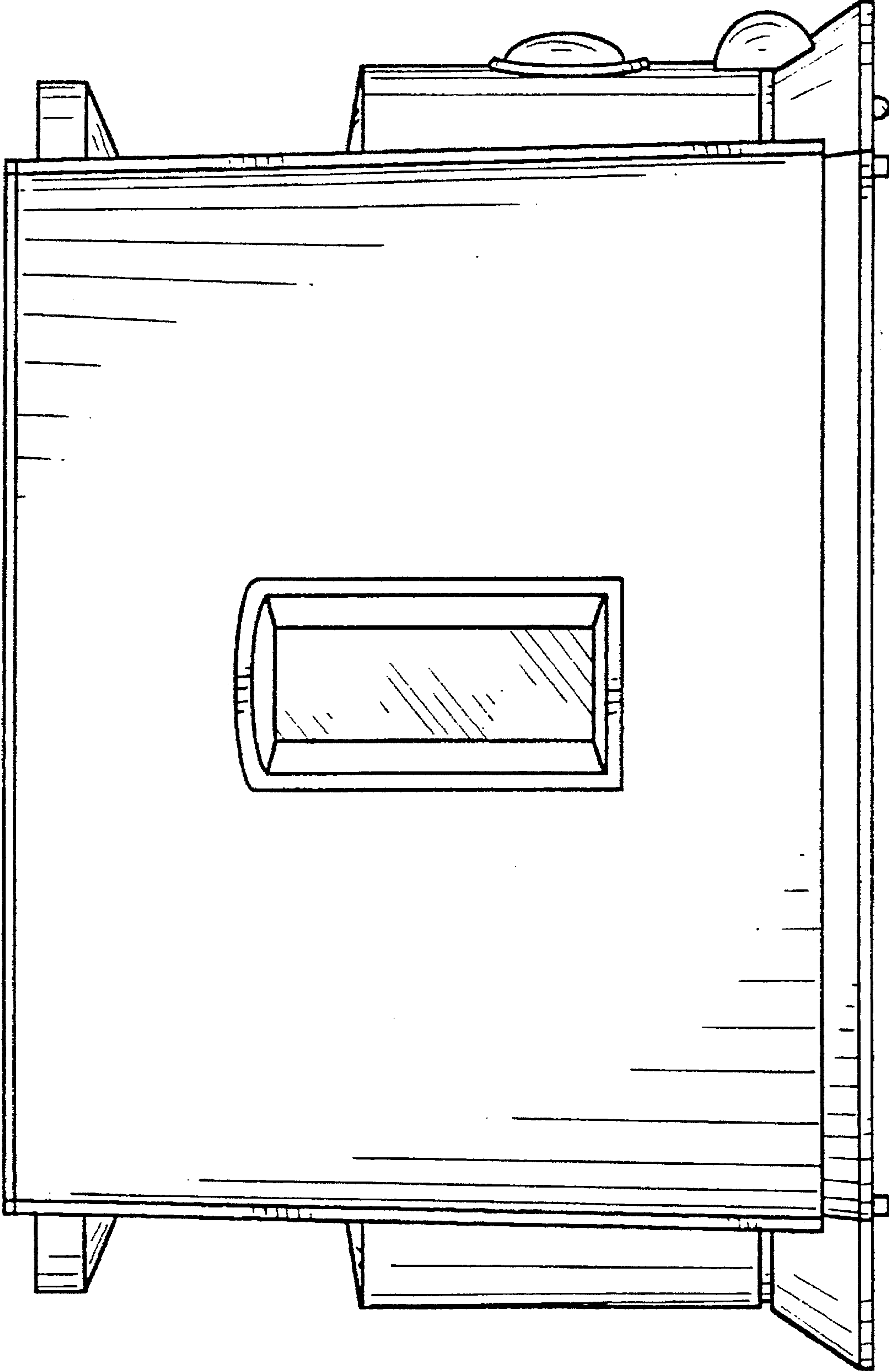


FIG. 2

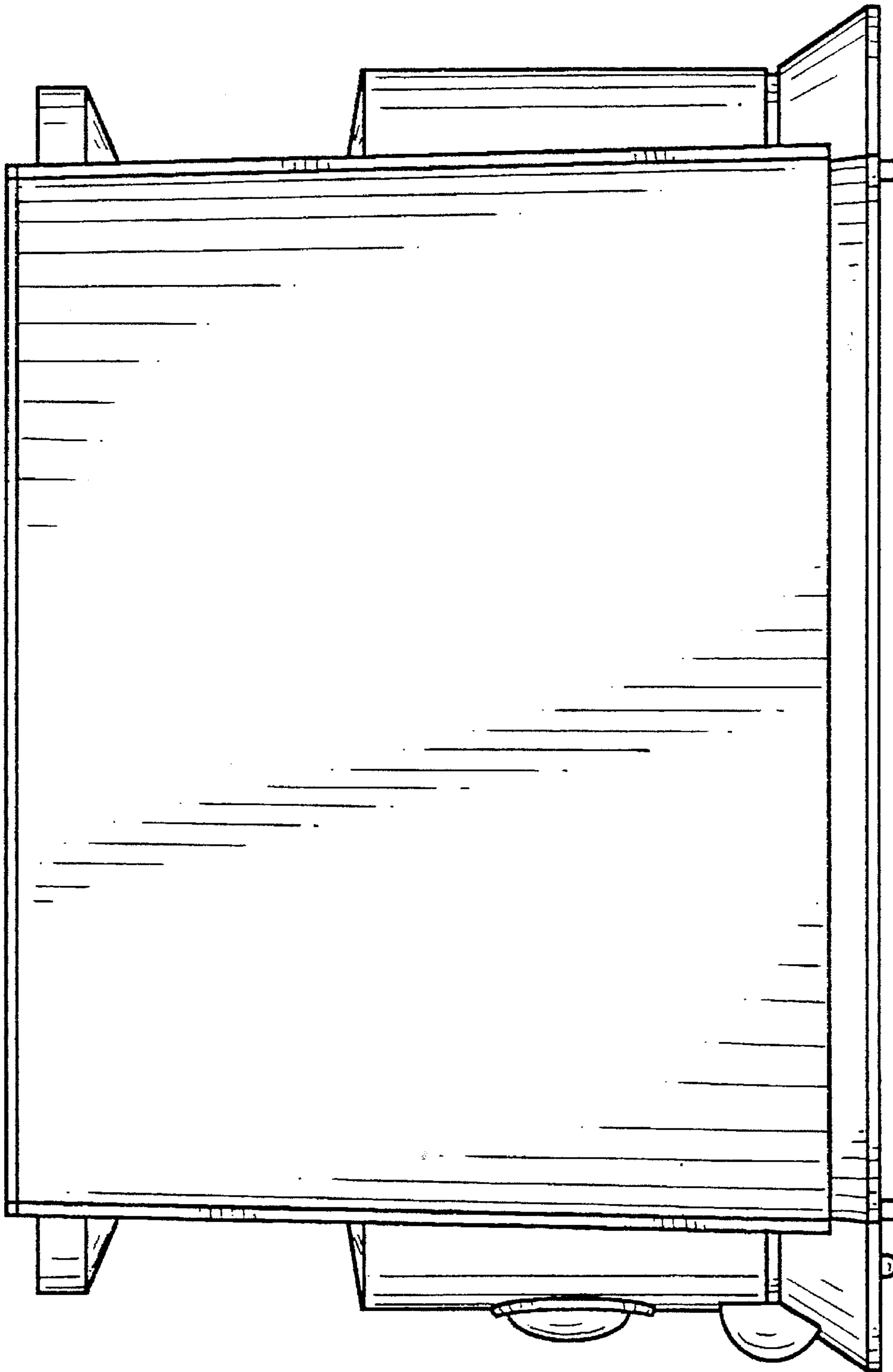


FIG. 3

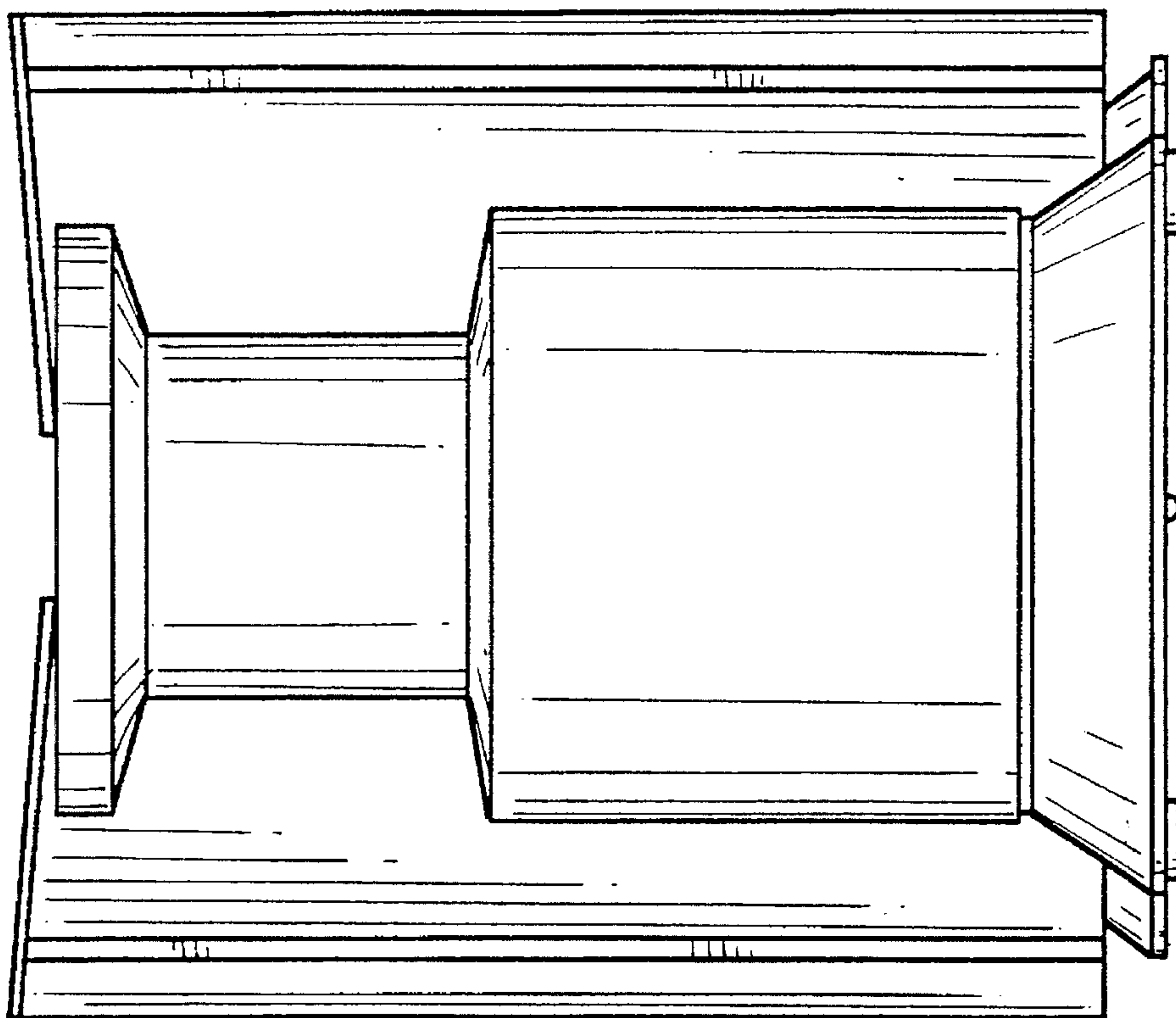


FIG. 5

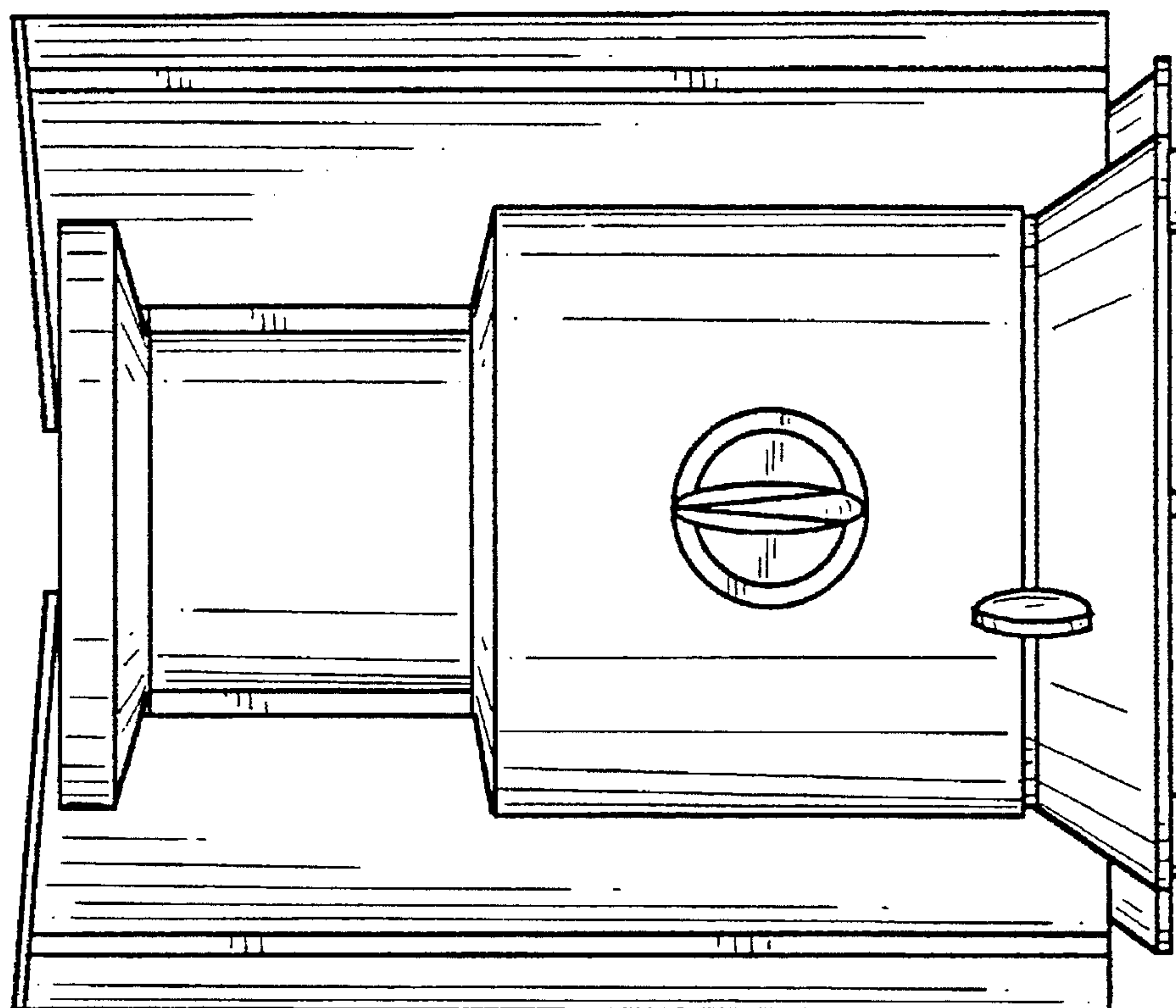


FIG. 4

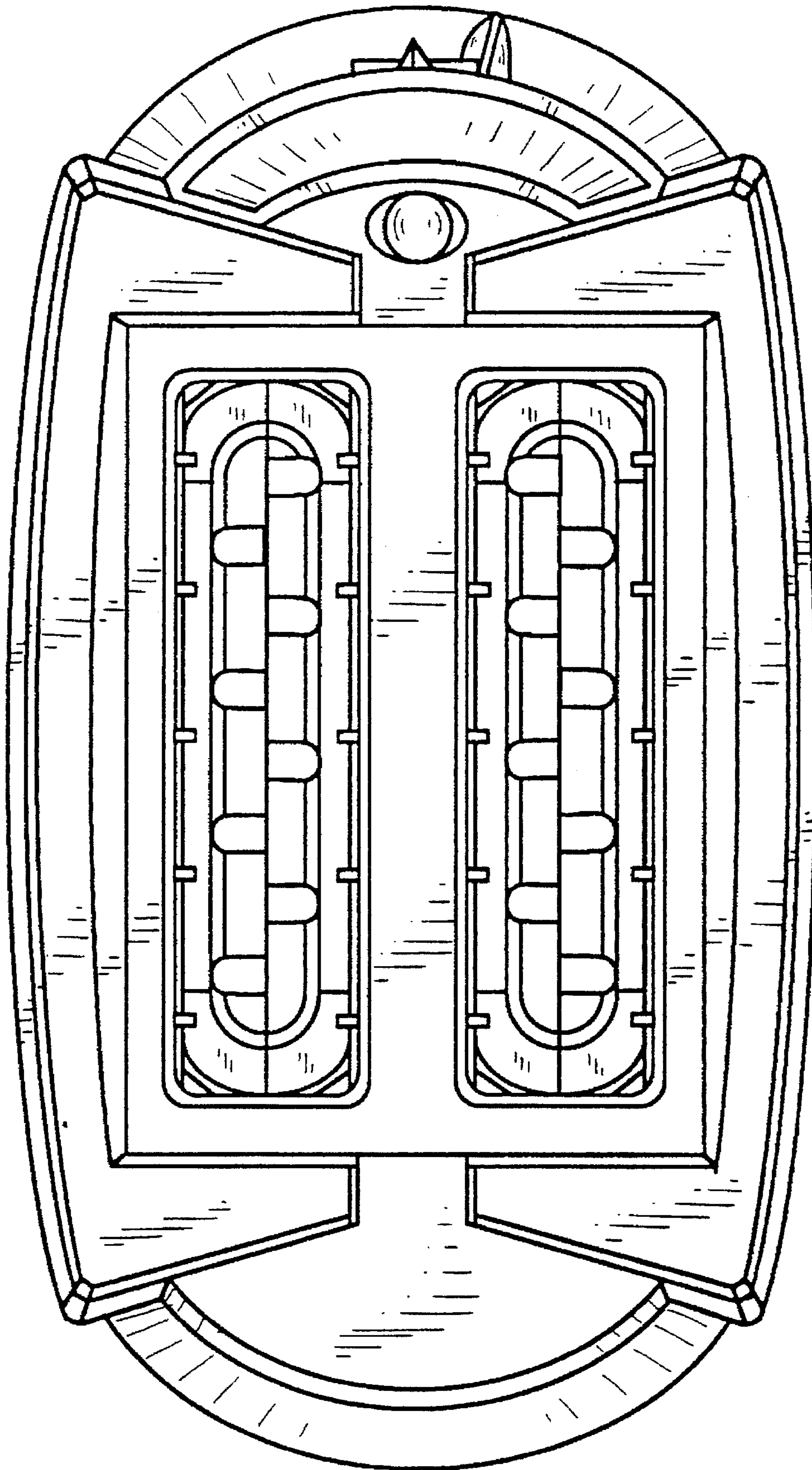


FIG. 6

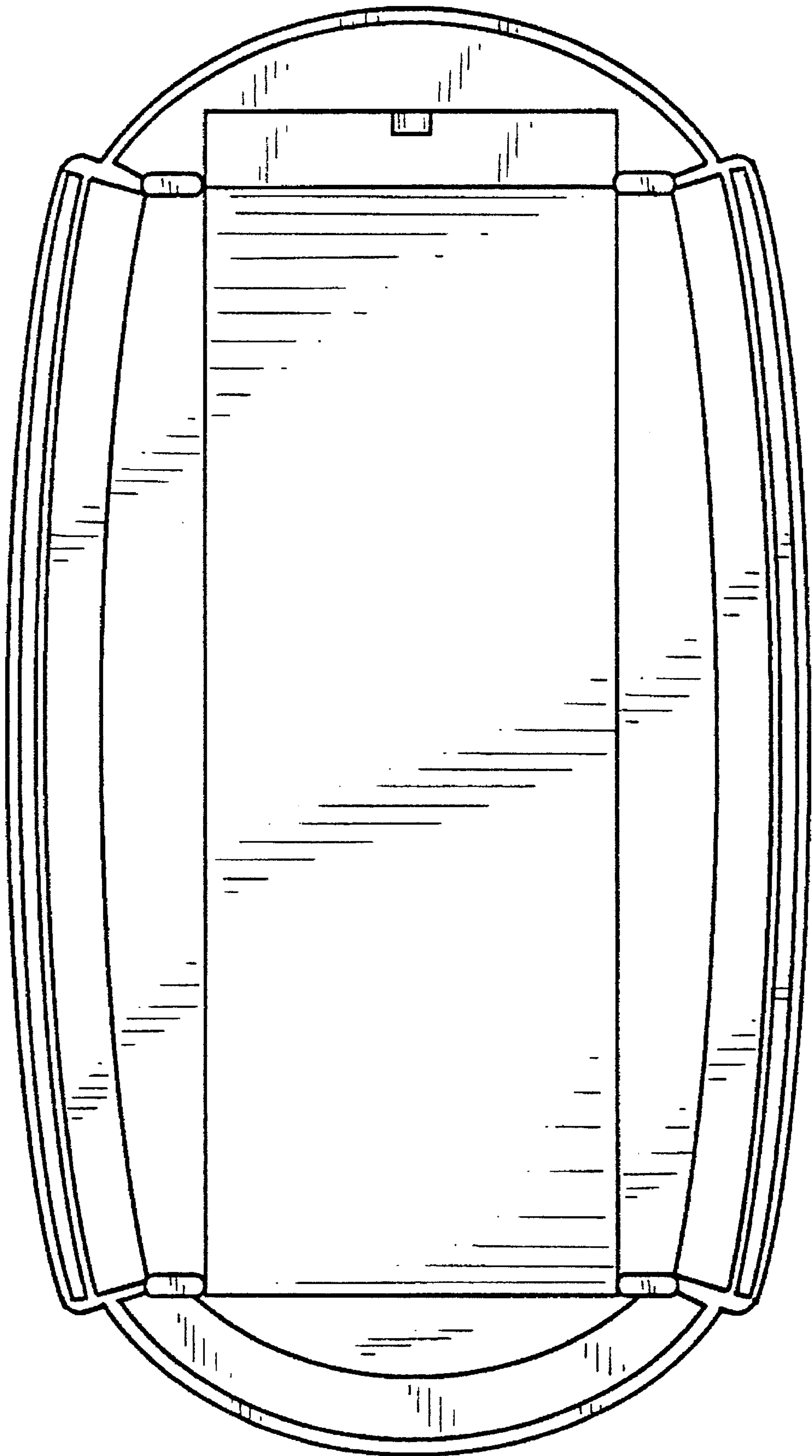


FIG. 7