



US00D379898S

United States Patent [19]

Ancona et al.

[11] Patent Number: Des. 379,898

[45] Date of Patent: **Jun. 17, 1997

[54] **KETTLE**

[75] Inventors: **Bruce Ancona; Jane Ancona**, both of New York, N.Y.; **Craig R. LaRosa**, Red Bank, N.J.; **Mary Jenine deGuzman**, New York, N.Y.

[73] Assignee: **B. Via International Housewares, Inc.**, Englewood Cliffs, N.J.

[**] Term: **14 Years**

[21] Appl. No.: **37,687**

[22] Filed: **Apr. 18, 1995**

[51] LOC (6) Cl. **07-01**

[52] U.S. Cl. **D7/302; D7/301; D7/312**

[58] Field of Search **D7/312, 307, 316, D7/317, 318, 319, 320, 321, 322, 301, 302, 303, 523; D23/212, 213, 215; D9/307, 336**

[56] **References Cited**

U.S. PATENT DOCUMENTS

D. 56,774 12/1920 Sroka D23/212

D. 88,228	11/1932	Guild et al.	D7/321
D. 151,884	11/1948	Graham	D9/336
D. 308,314	6/1990	Ancona et al.	D7/312 X
D. 342,640	12/1993	Lebowitz	D7/322
D. 347,139	5/1994	Ancona et al.	D7/302
D. 355,324	2/1995	Lebowitz	D7/301

OTHER PUBLICATIONS

Watering can (bottom right) Tableware International Sep. 1973.

Primary Examiner—M. N. Pandozzi

Attorney, Agent, or Firm—Henry D. Pahl; John L. Welch

[57] **CLAIM**

The ornamental design for a kettle, as shown and described.

DESCRIPTION

FIG. 1 is a right side elevational view of the kettle according to our new design, the left side elevational view being a mirror image;

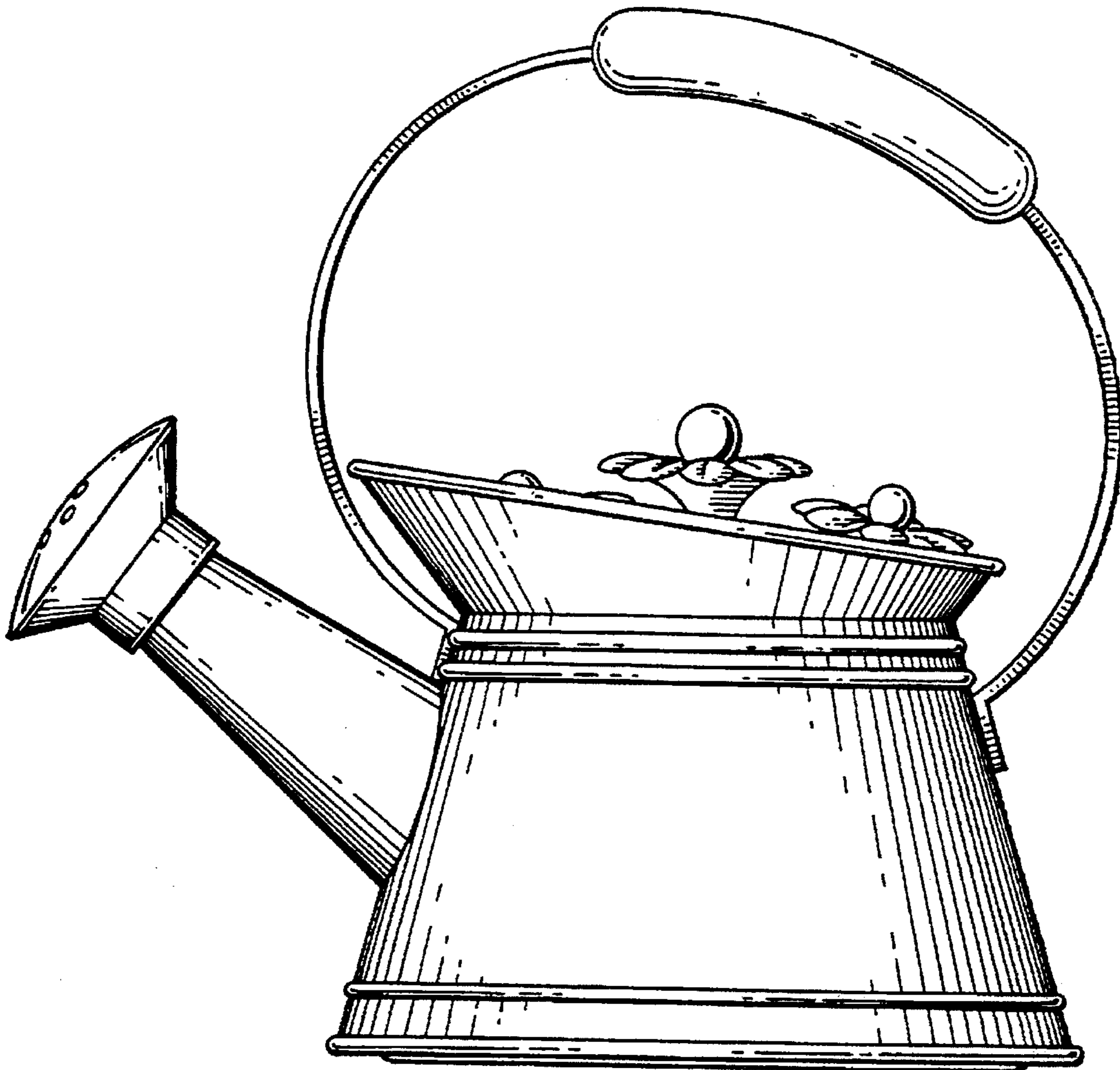
FIG. 2 is a top plan view thereof;

FIG. 3 is a bottom plan view thereof;

FIG. 4 is a front elevational view thereof; and,

FIG. 5 is a rear elevational view thereof.

1 Claim, 3 Drawing Sheets



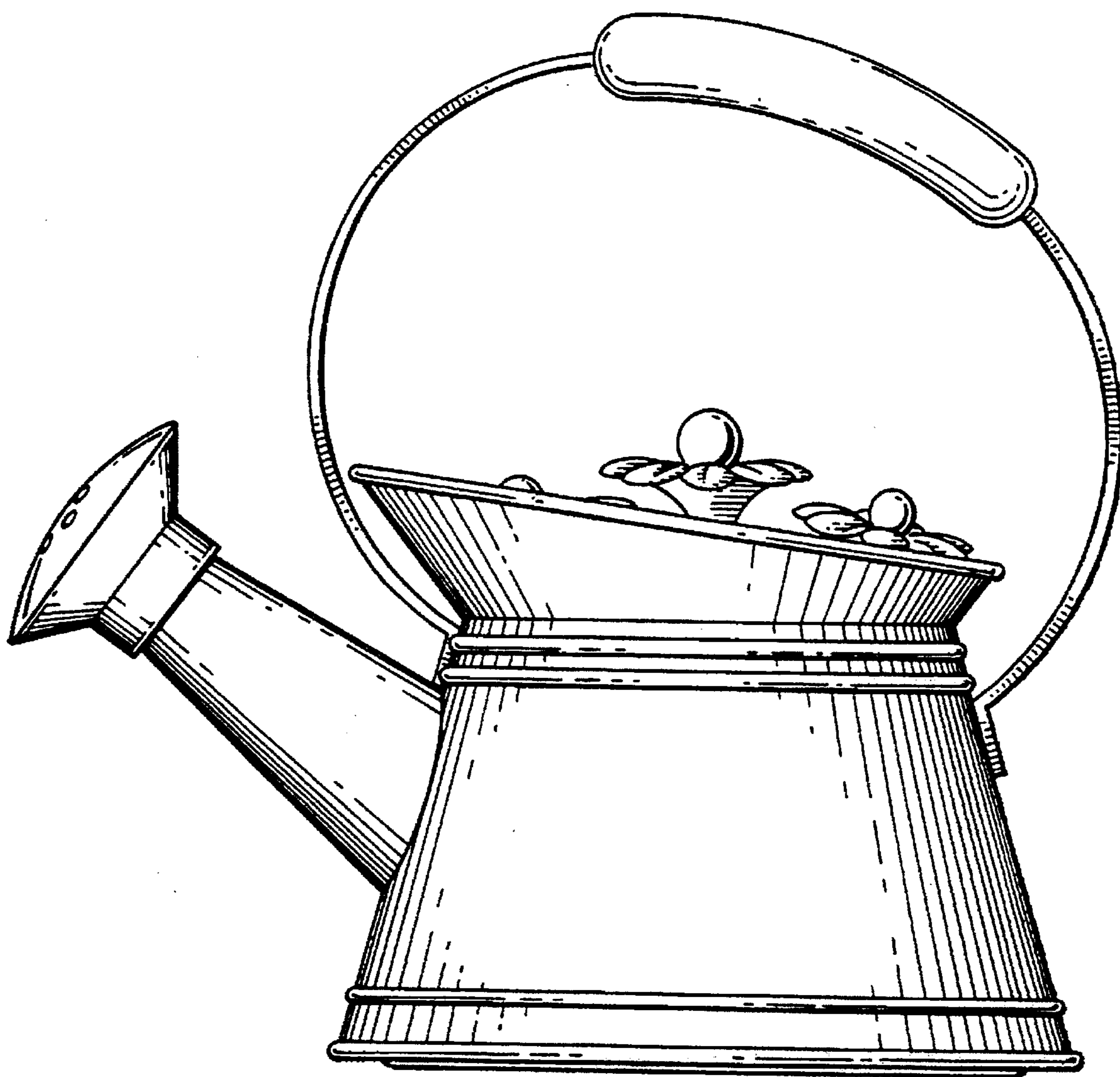


FIG. 1

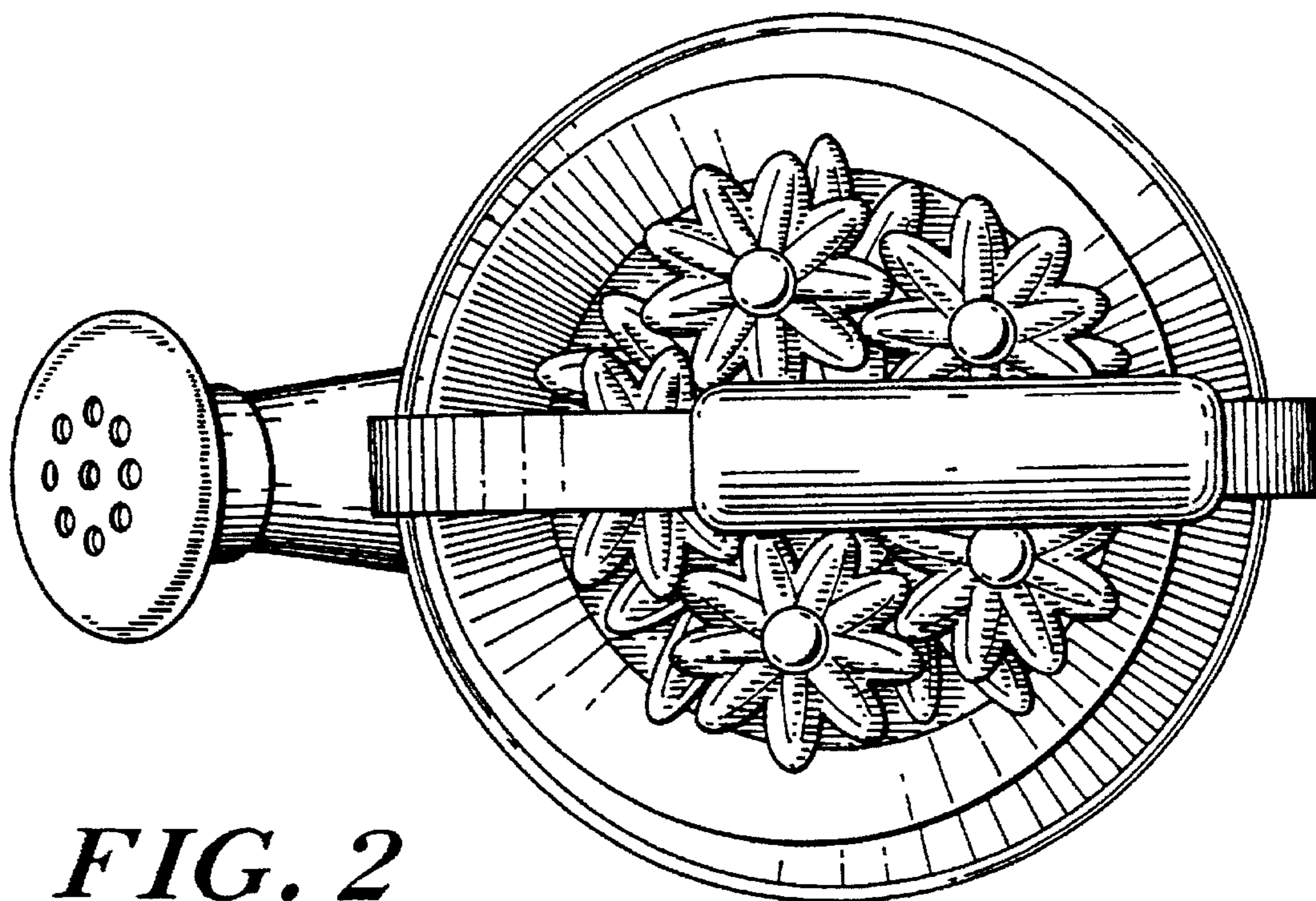


FIG. 2

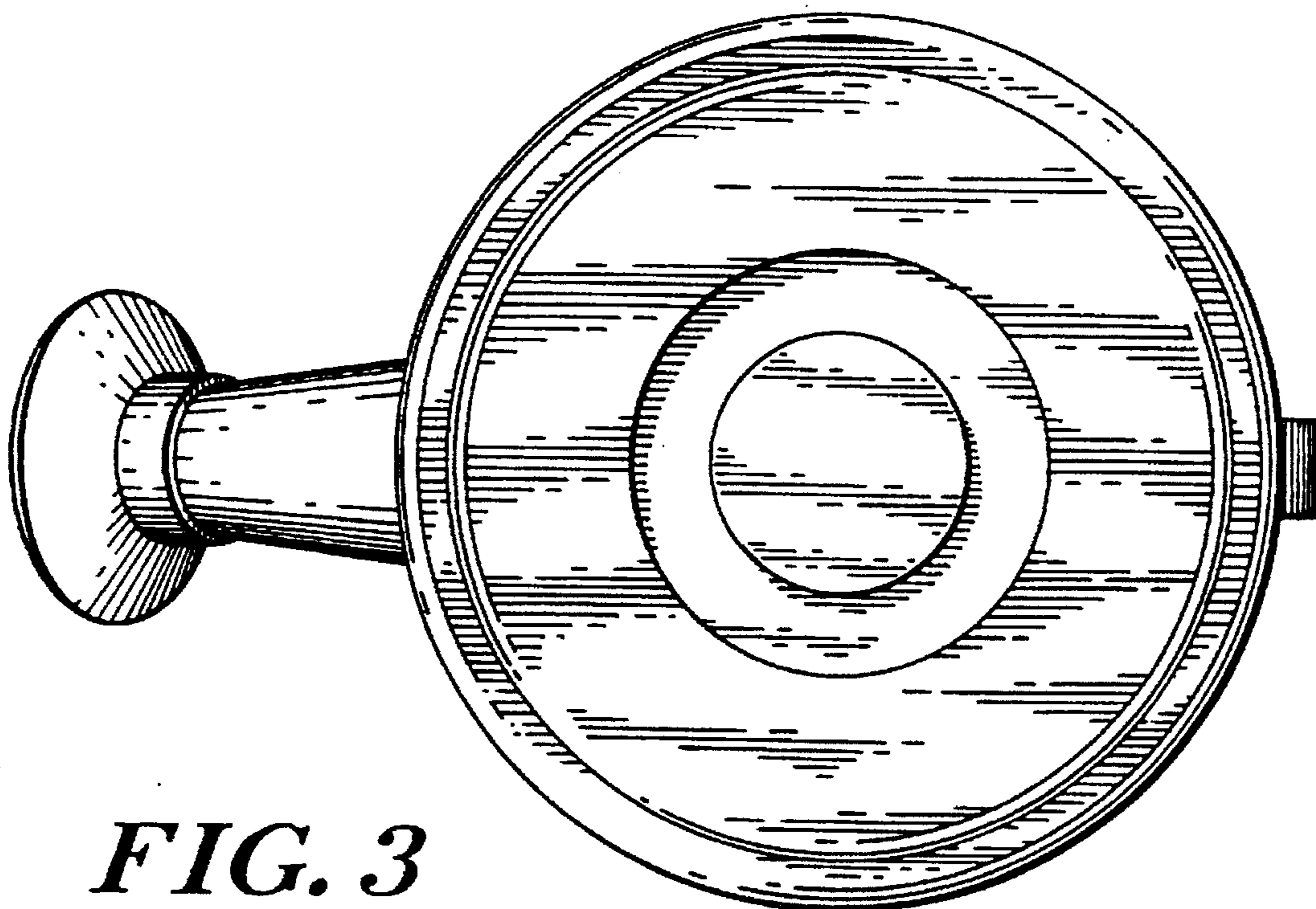


FIG. 3

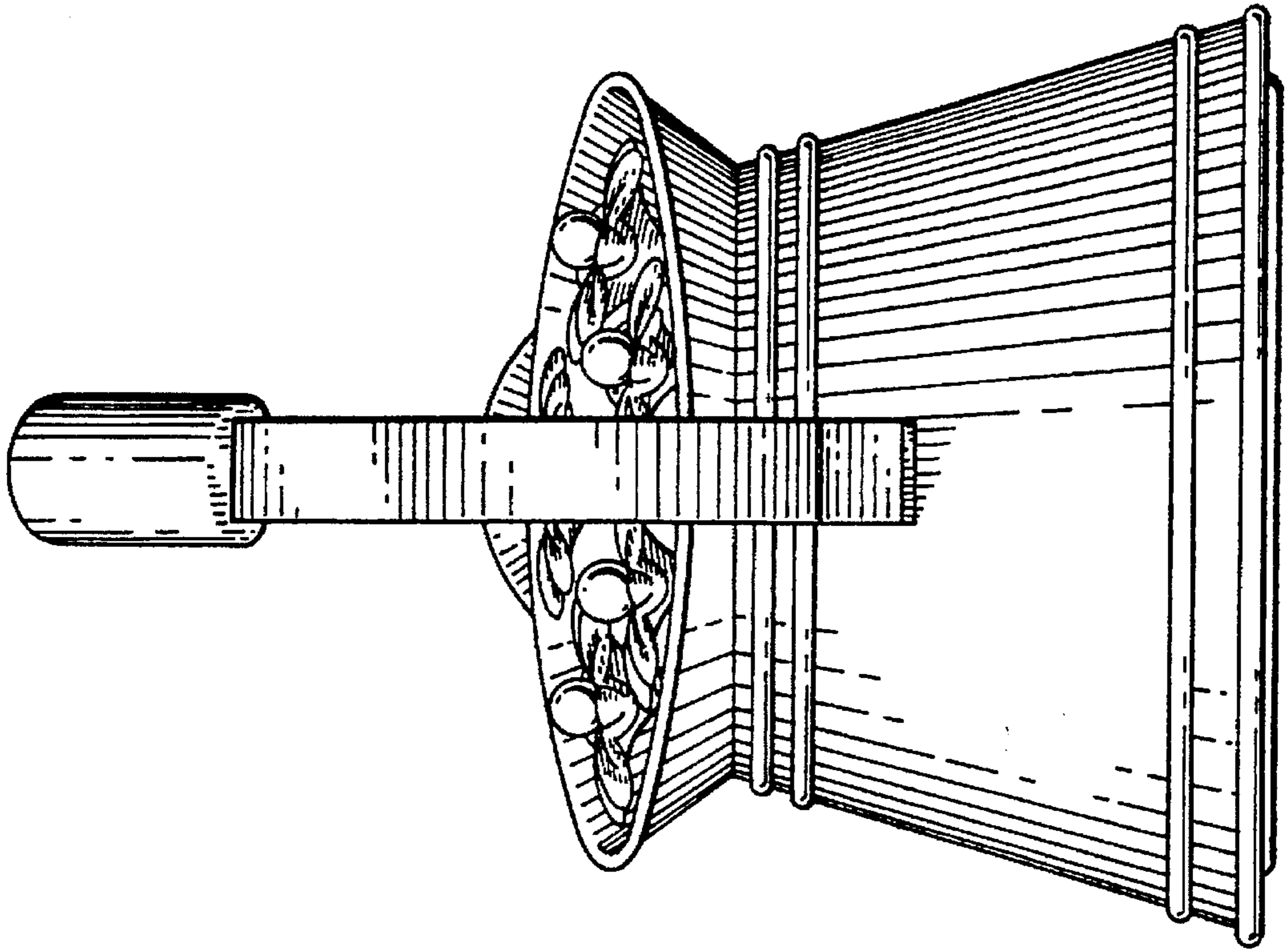


FIG. 5

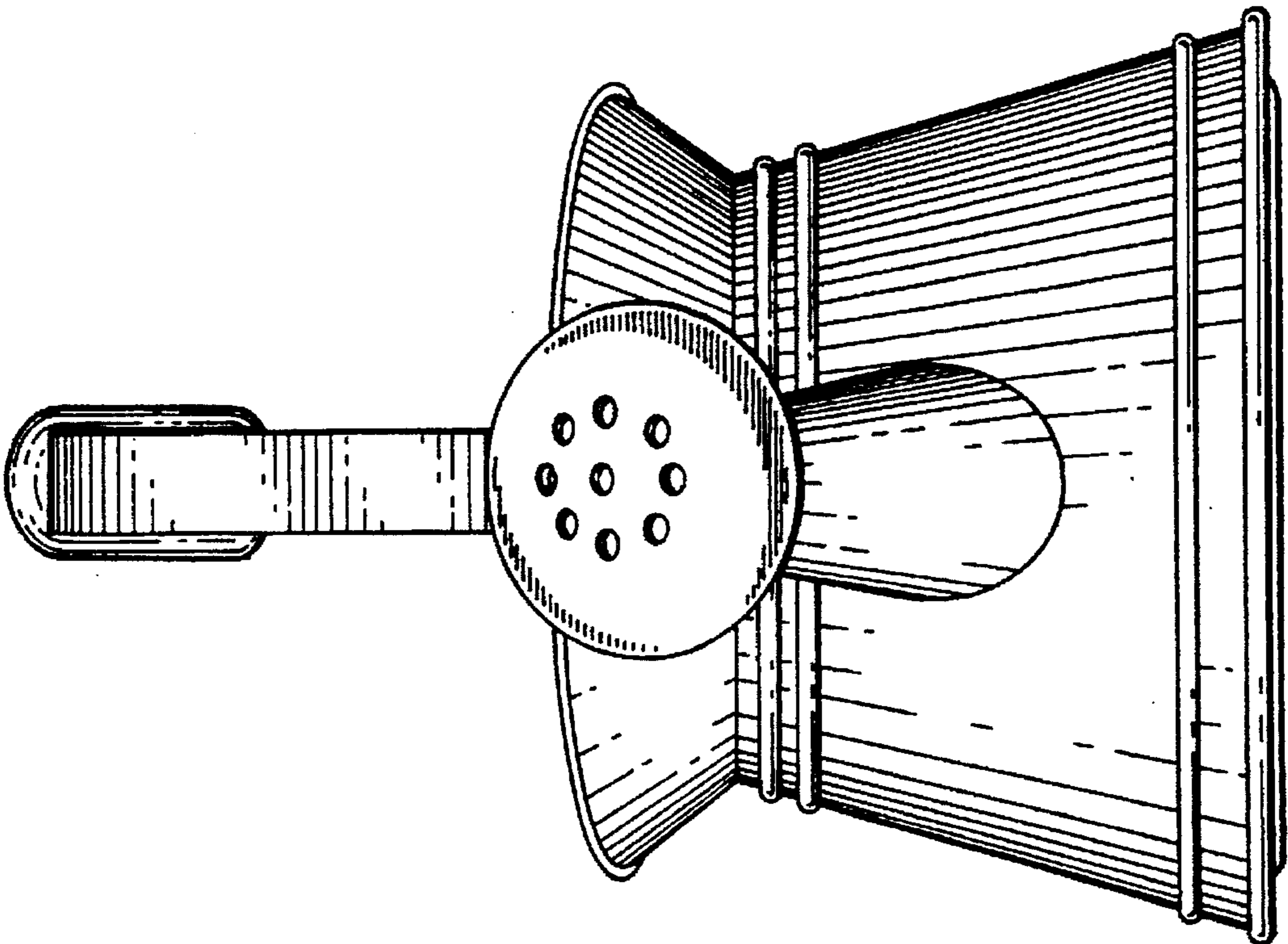


FIG. 4