



US00D379897S

**United States Patent** [19]  
**Huang**

[11] **Patent Number: Des. 379,897**  
[45] **Date of Patent: \*\*Jun. 17, 1997**

[54] **CD ROM (COMPACT DISC ROM) CABINET**

[76] **Inventor: Michael Huang, 8527 Beverly Dr., San Gabriel, Calif. 91775**

[\*\*] **Term: 14 Years**

[21] **Appl. No.: 45,392**

[22] **Filed: Oct. 18, 1995**

[51] **LOC (6) Cl. .... 06-04**

[52] **U.S. Cl. .... D6/632; D6/407; D6/448**

[58] **Field of Search .... 6/407, 626-635, 6/448; D19/75, 76, 90; 211/40, 41; 206/300-312; 312/902, 9.9, 9.48, 9.55, 9.64, 9.47, 9.53, 328**

[56] **References Cited**

**U.S. PATENT DOCUMENTS**

D. 248,705	8/1978	Thomas	.....	D6/448
D. 255,518	6/1980	Logsdon	.....	D6/448
D. 288,639	3/1987	Johansson	.....	D6/448
D. 293,746	1/1988	Sayward	.....	D6/448
D. 327,794	7/1992	Zapf	.....	D6/448
D. 350,044	8/1994	Long et al.	.....	D6/632
D. 360,434	7/1995	Sheng-Fu	.....	D19/75
D. 360,778	8/1995	Apt, III et al.	.....	D6/448
3,985,409	10/1976	Kneier	.....	312/902

**OTHER PUBLICATIONS**

"The Washington Post", p. A5, Modern Spacemaster, item B 1965.

*Primary Examiner*—Louis S. Zarfes  
*Assistant Examiner*—Gregory Andoll  
*Attorney, Agent, or Firm*—Robert A. Schruhl

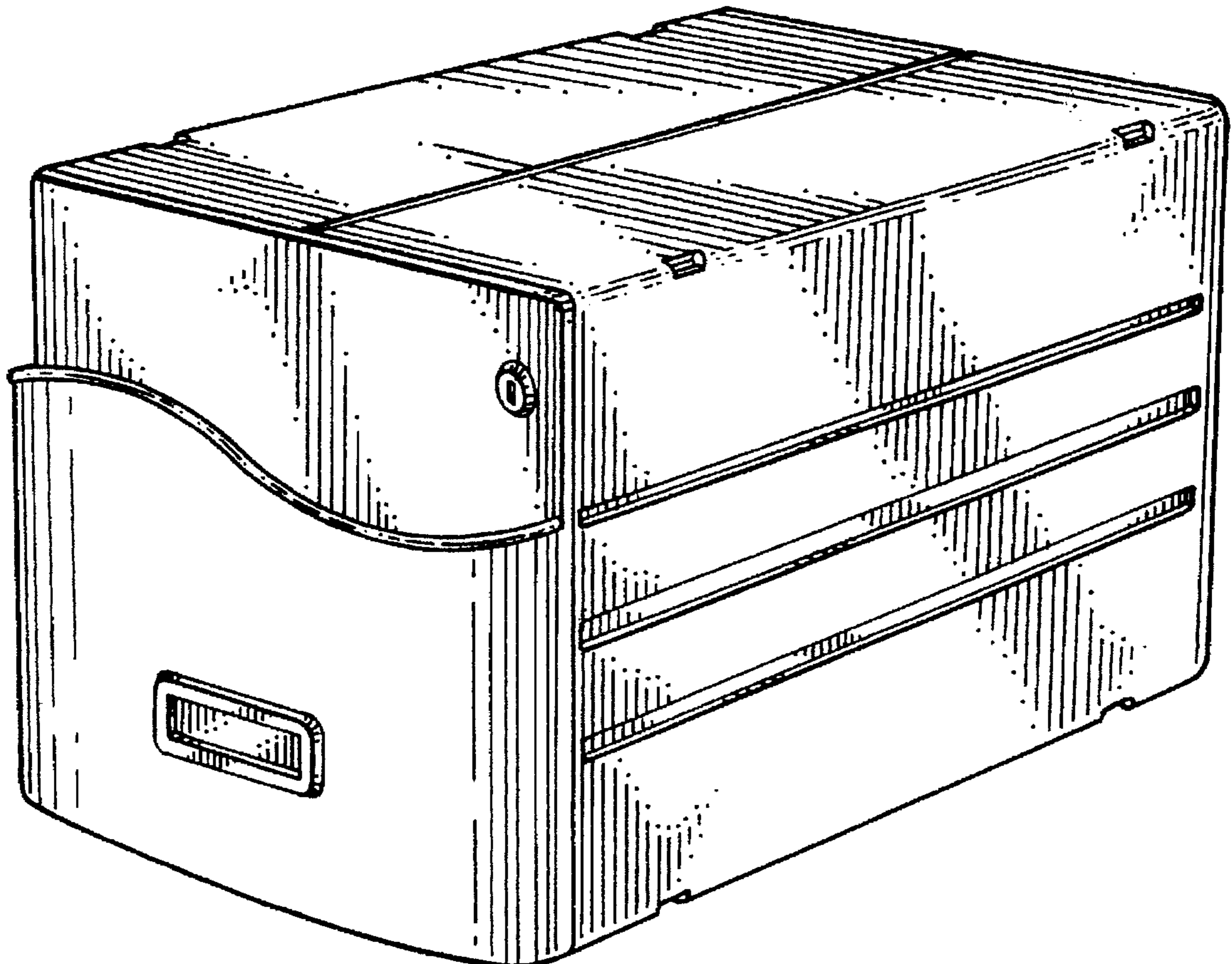
[57] **CLAIM**

The ornamental design for a CD ROM (compact disc ROM) cabinet, as shown and described.

**DESCRIPTION**

FIG. 1 is a front, top and right side view of the CD ROM cabinet of the present invention;  
FIG. 2 is a front view of the CD ROM cabinet of the present invention;  
FIG. 3 is a rear view of the CD ROM cabinet of the present invention;  
FIG. 4 is a top view of the CD ROM cabinet of the present invention;  
FIG. 5 is a right side view of the CD ROM cabinet of the present invention;  
FIG. 6 is a left side view of the CD ROM cabinet of the present invention; and,  
FIG. 7 is a bottom view of the CD ROM cabinet of the present invention.

**1 Claim, 3 Drawing Sheets**



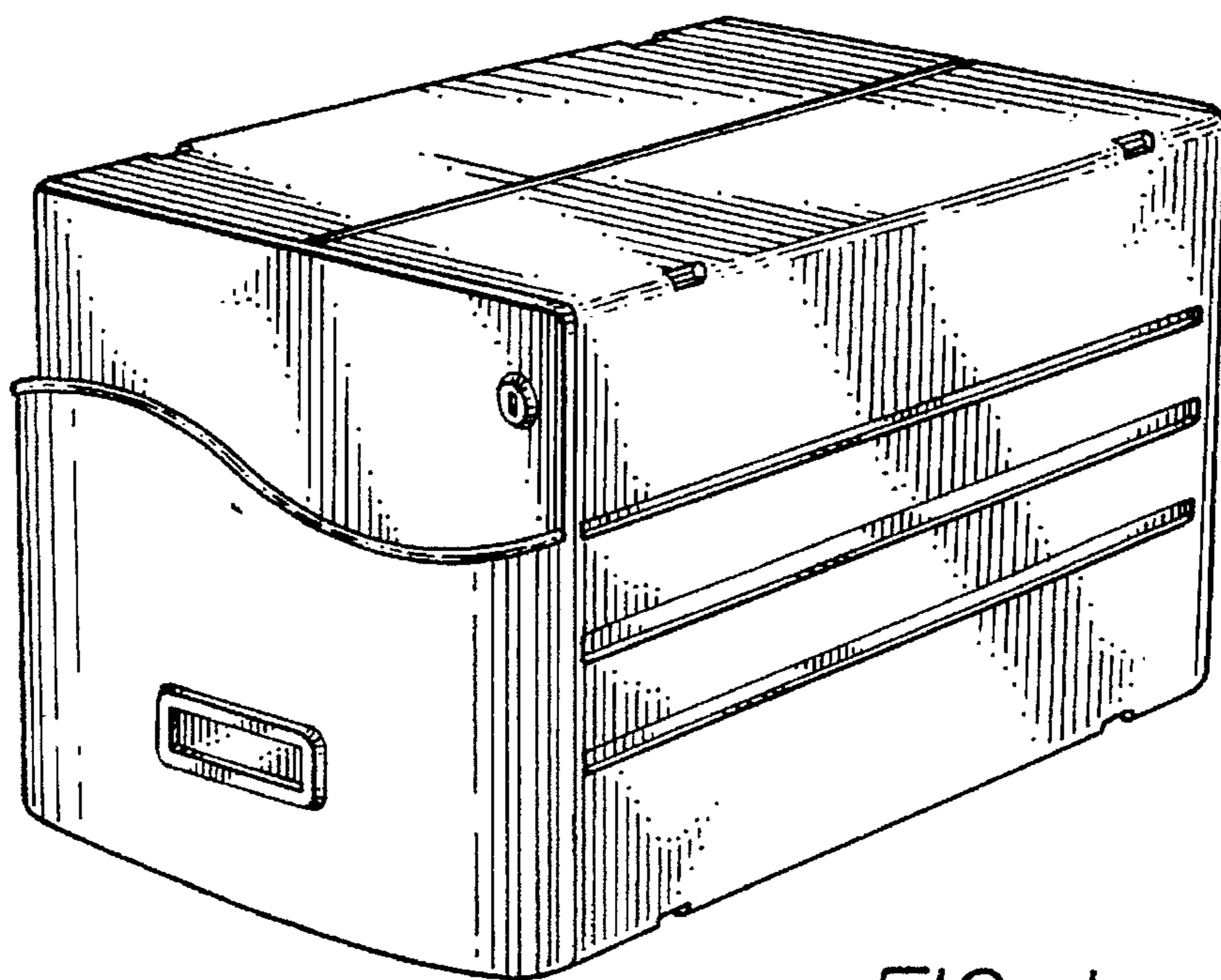


FIG. 1

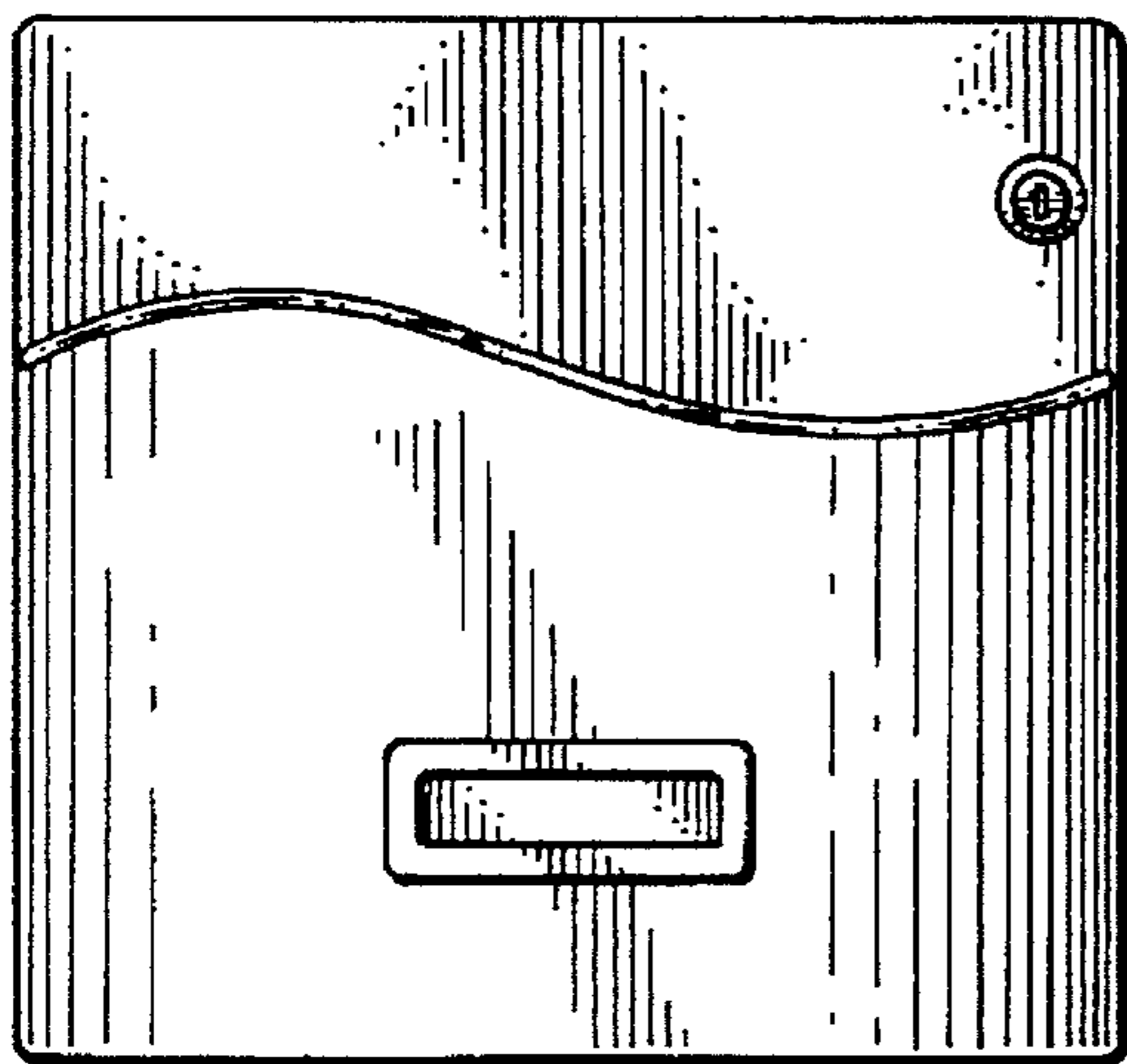


FIG. 2

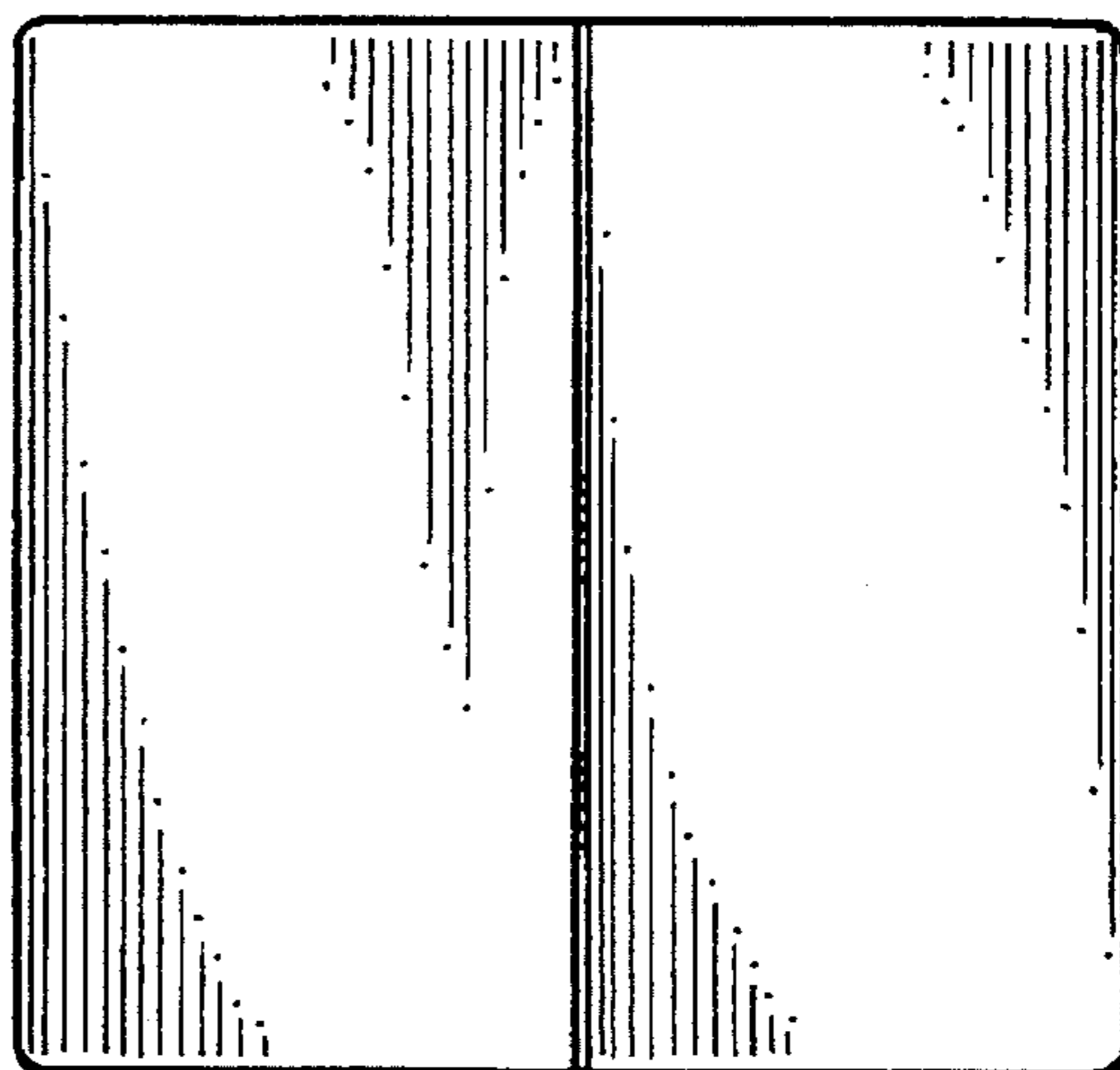


FIG. 3

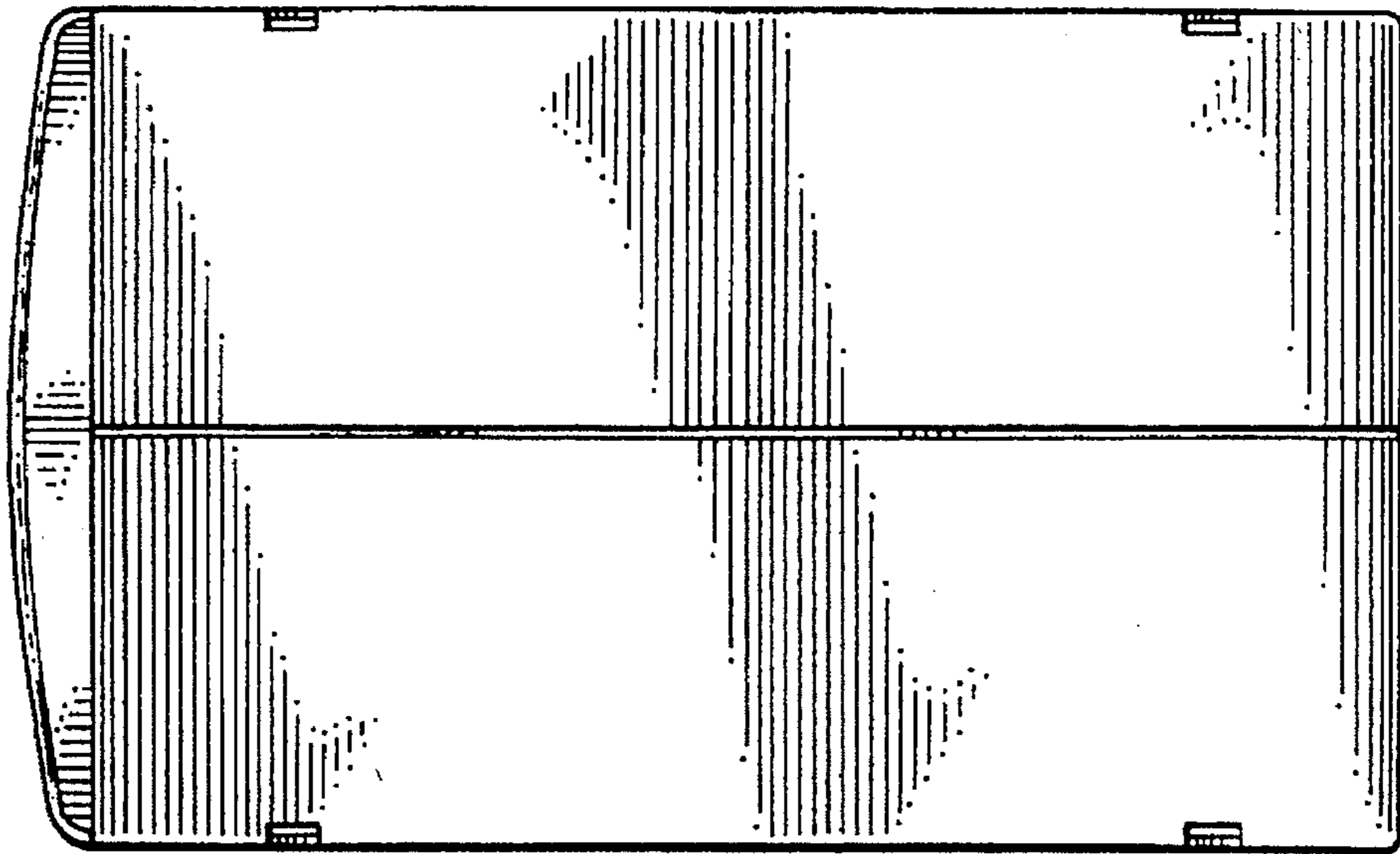


FIG. 4

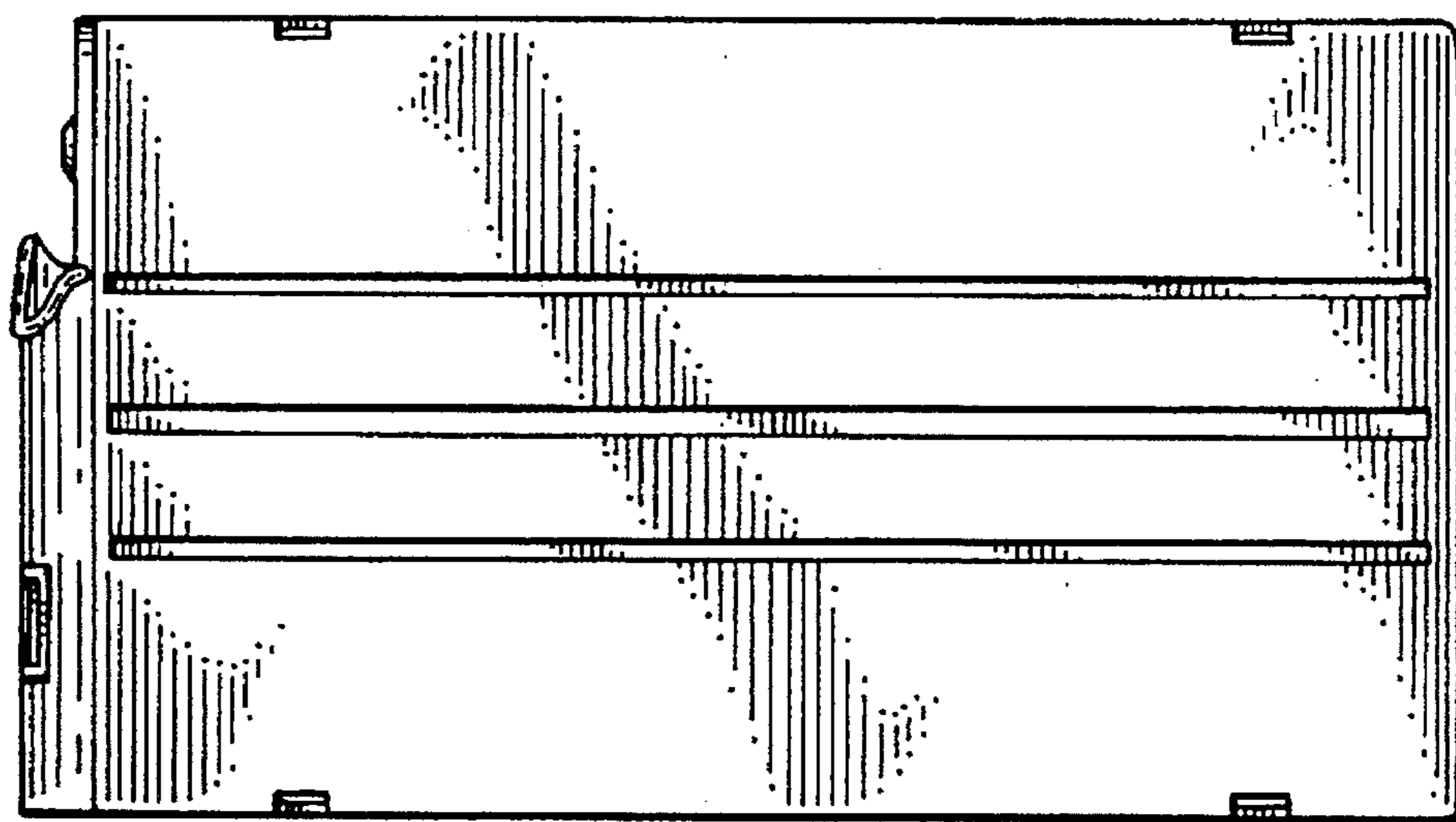


FIG. 5

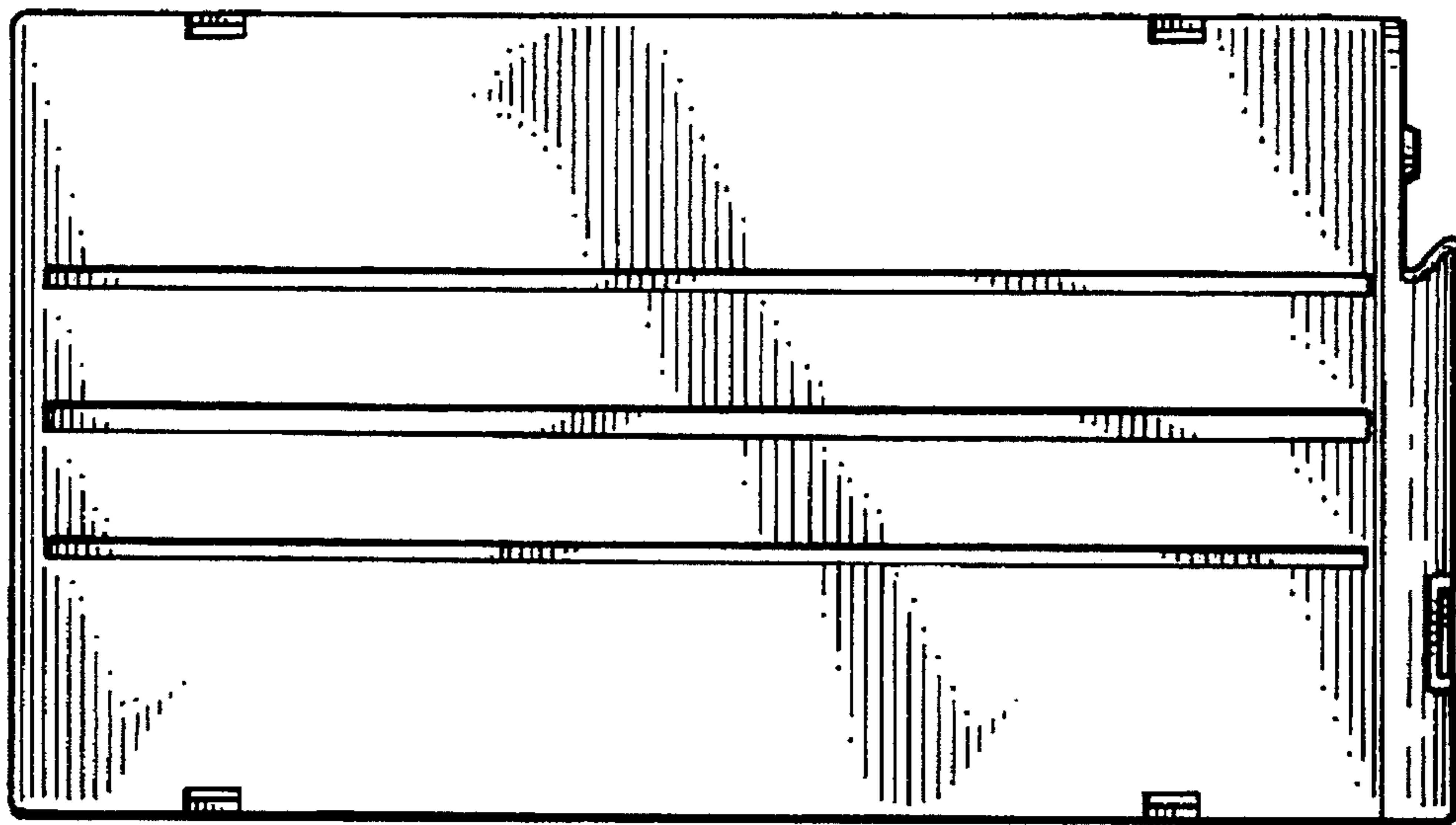


FIG. 6

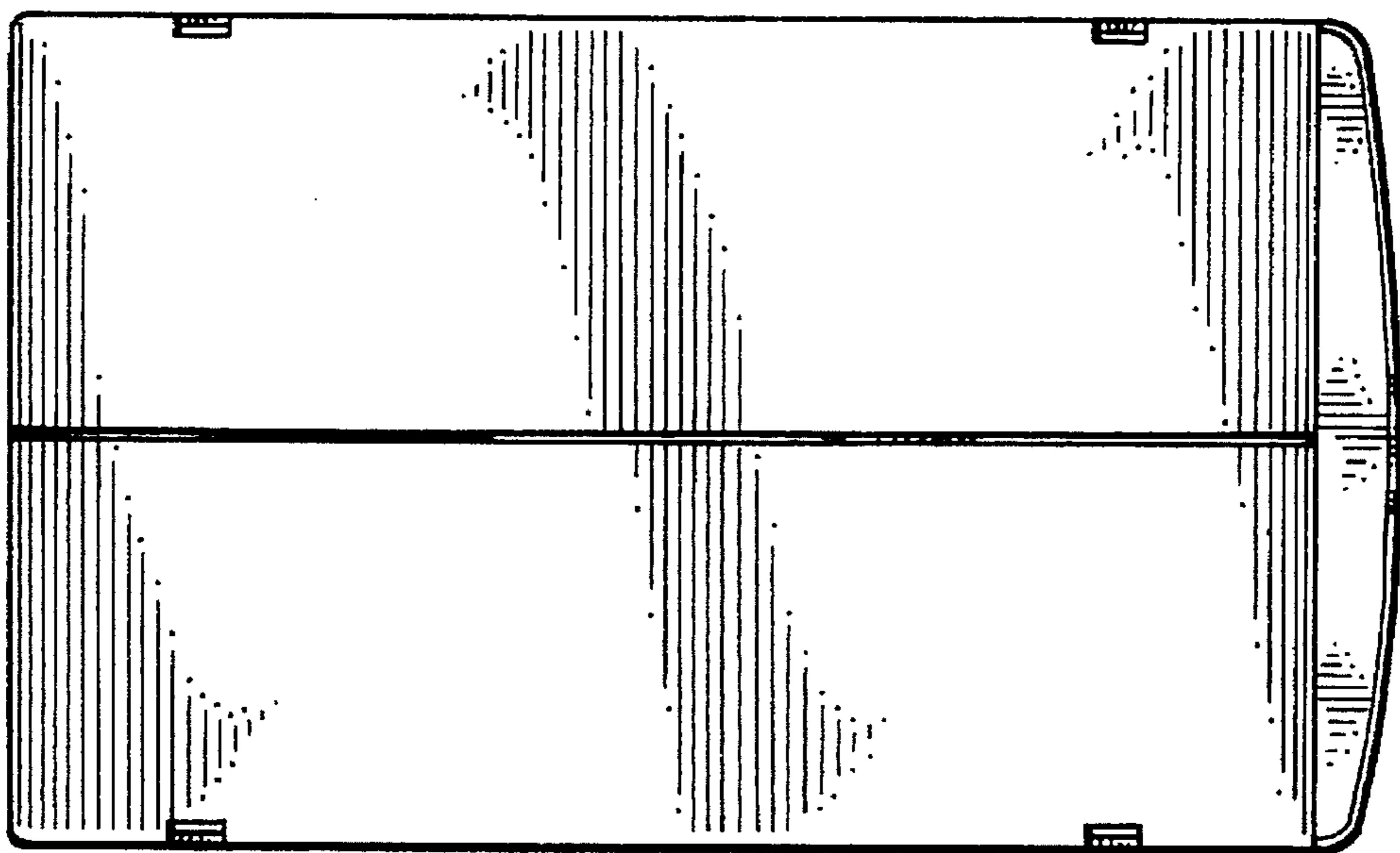


FIG. 7