



US00D379895S

# United States Patent [19] Hampshire

[11] Patent Number: **Des. 379,895**

[45] Date of Patent: **\*\*Jun. 17, 1997**

[54] CONTAINER AND TOOTHBRUSH HOLDER

4,530,479 7/1985 Chen ..... 248/309.1

[75] Inventor: **James Hampshire**, Solon, Ohio

*Primary Examiner*—Brian N. Vinson

[73] Assignee: **InterDesign, Inc.**, Solon, Ohio

*Attorney, Agent, or Firm*—D. Peter Hochberg; Mark Kusner; Michael Jaffe

[\*\*] Term: **14 Years**

### [57] CLAIM

[21] Appl. No.: **48,385**

The ornamental design for a container and toothbrush holder, as shown and described.

[22] Filed: **Dec. 27, 1995**

### DESCRIPTION

[51] LOC (6) Cl. .... **07-07**

FIG. 1 is a top view of a container and toothbrush holder embodying my new design;

[52] U.S. Cl. .... **D6/531**

FIG. 2 is a front elevation of the container and toothbrush holder shown in FIG. 1;

[58] Field of Search ..... D6/524, 525, 527,

D6/528, 531, 534, 535

FIG. 3 is a rear elevation of the container and toothbrush holder shown in FIG. 1;

### [56] References Cited

#### U.S. PATENT DOCUMENTS

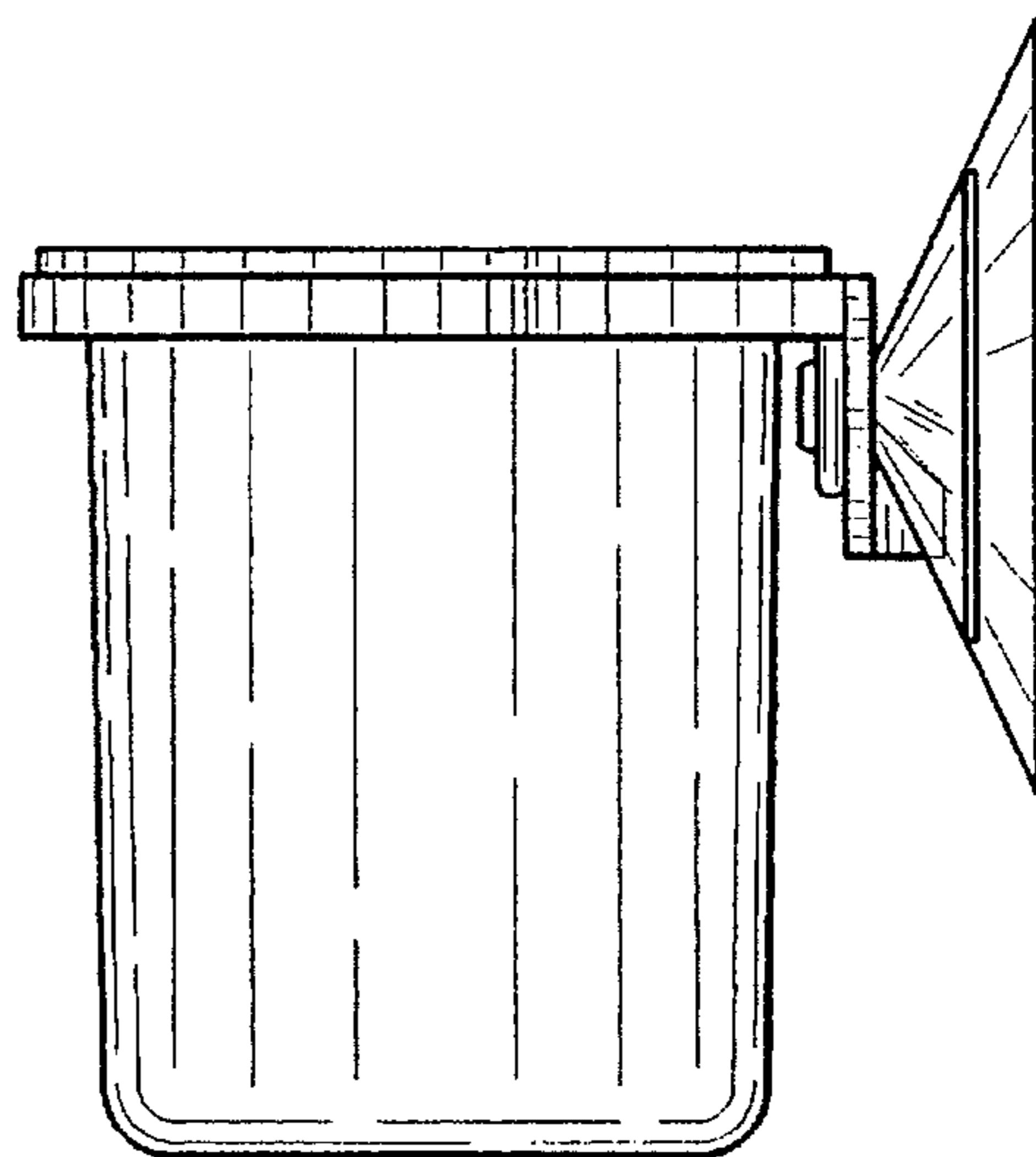
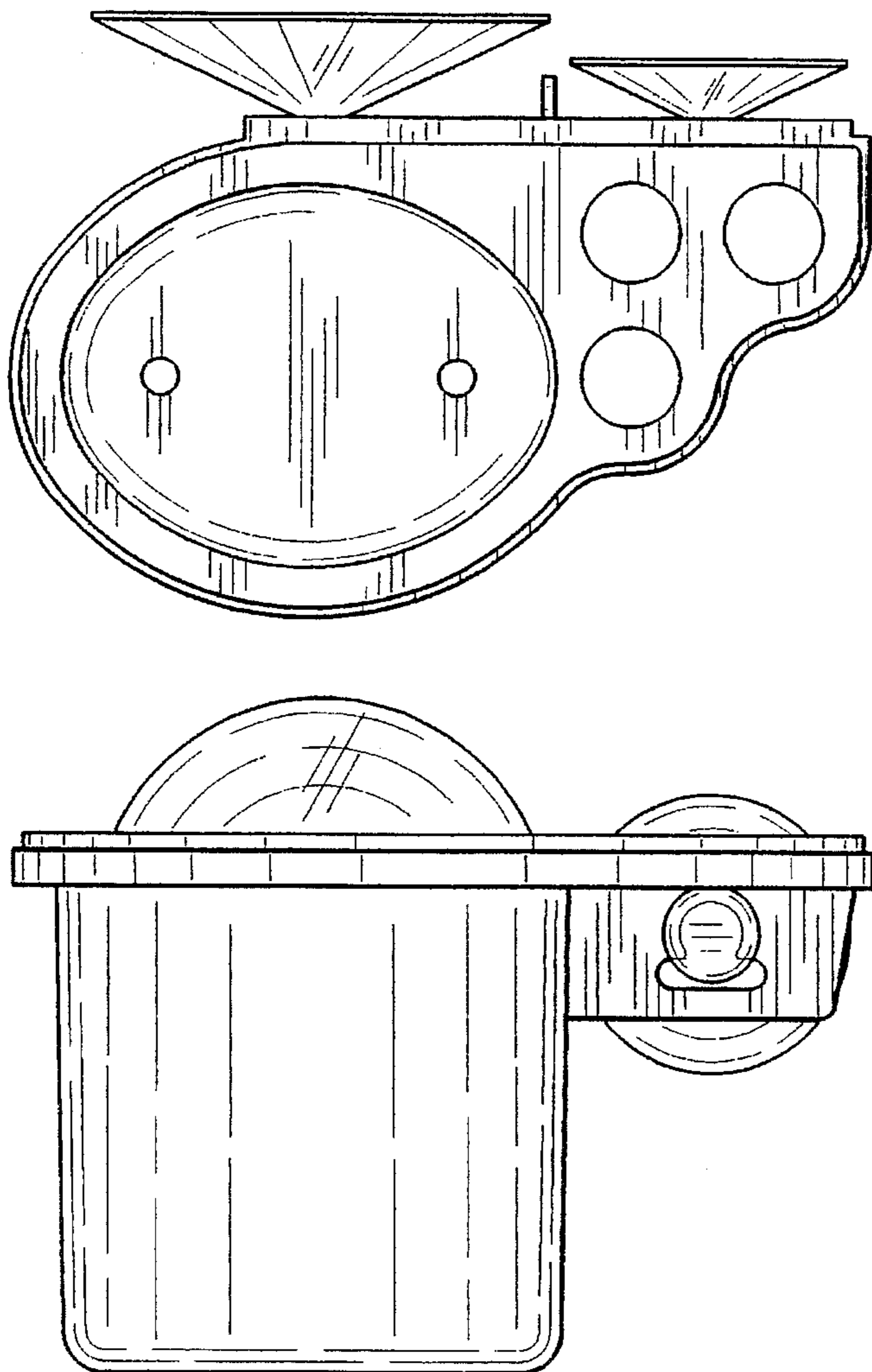
D. 333,751	3/1993	Crook et al. ....	D6/531 X
D. 341,624	11/1993	Evenson et al. ....	D6/553 X
D. 357,376	4/1995	Cecula .....	D6/531
D. 362,780	10/1995	Hampshire .....	D6/525 X
1,581,250	4/1926	Treubig .....	D6/531 X
1,784,155	12/1930	Moineau .....	248/309.1

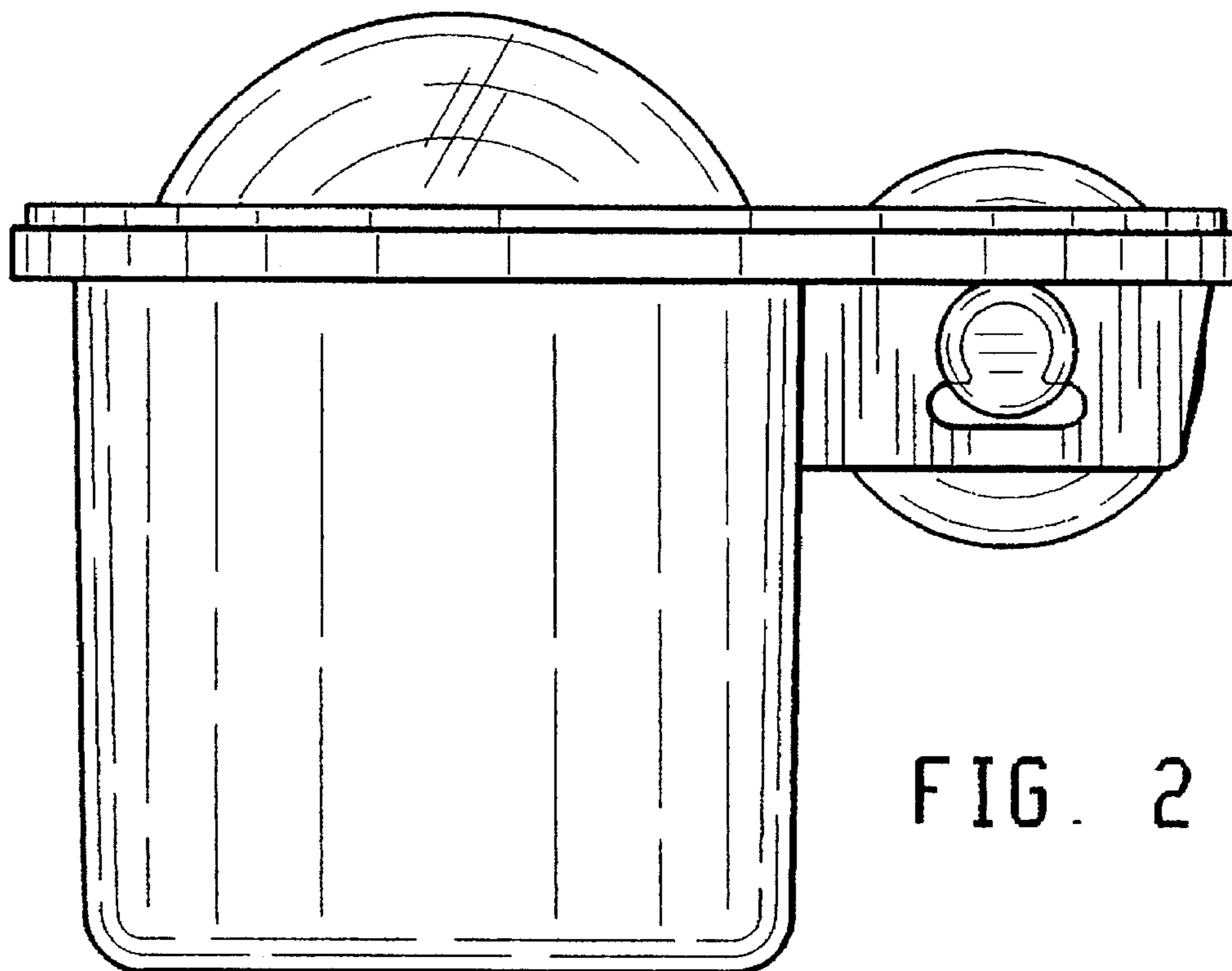
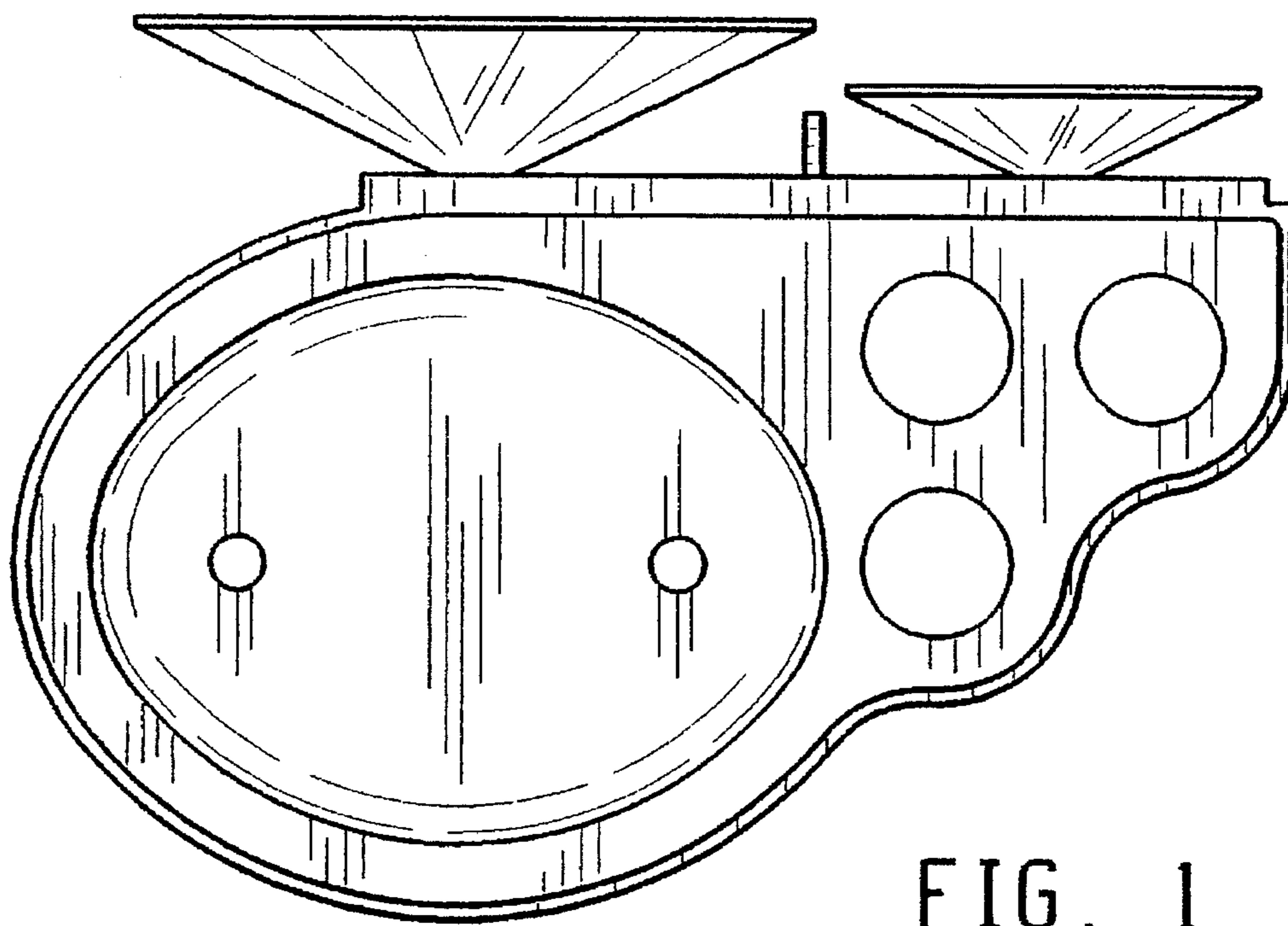
FIG. 4 is a bottom view of the container and toothbrush holder shown in FIG. 1;

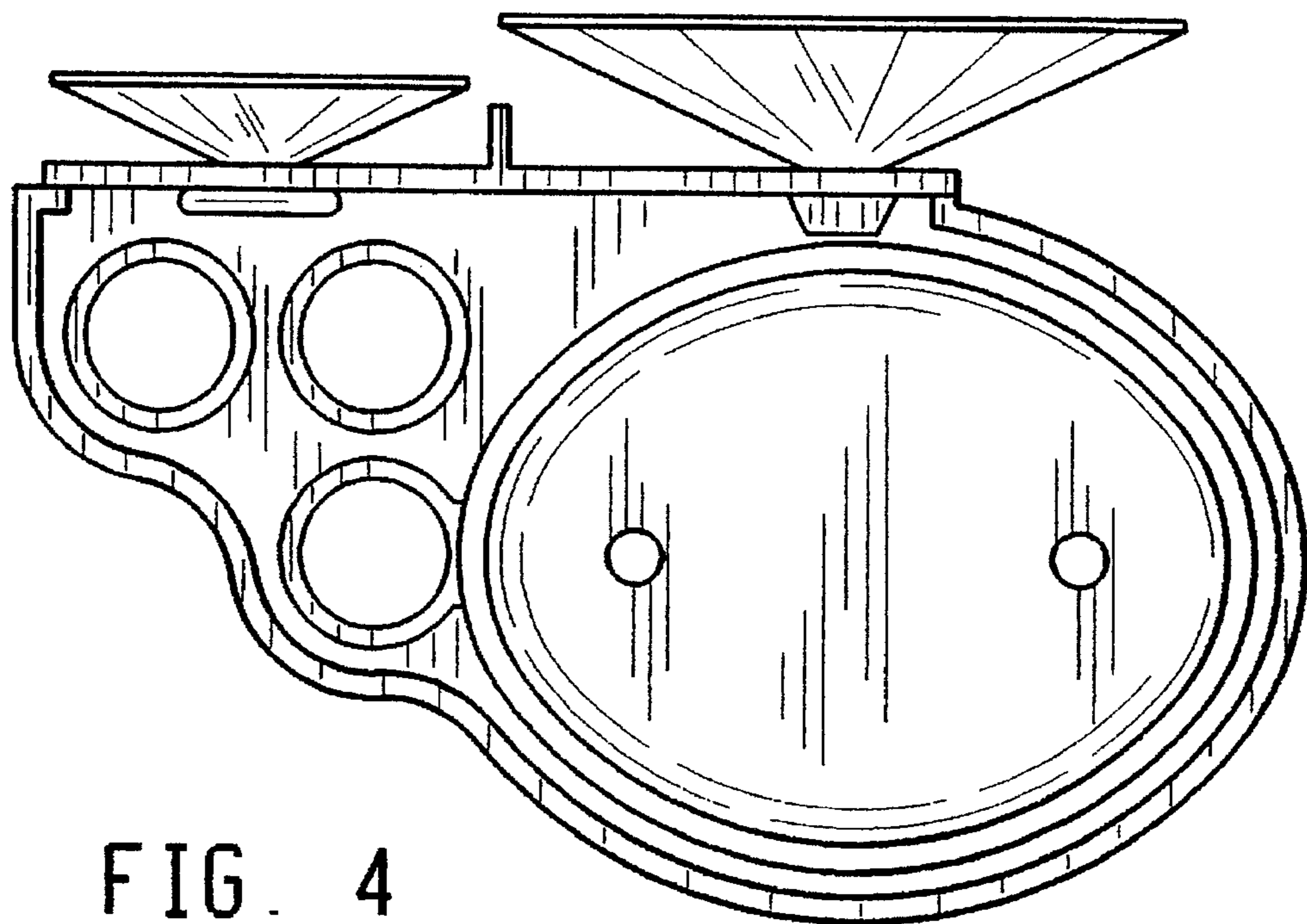
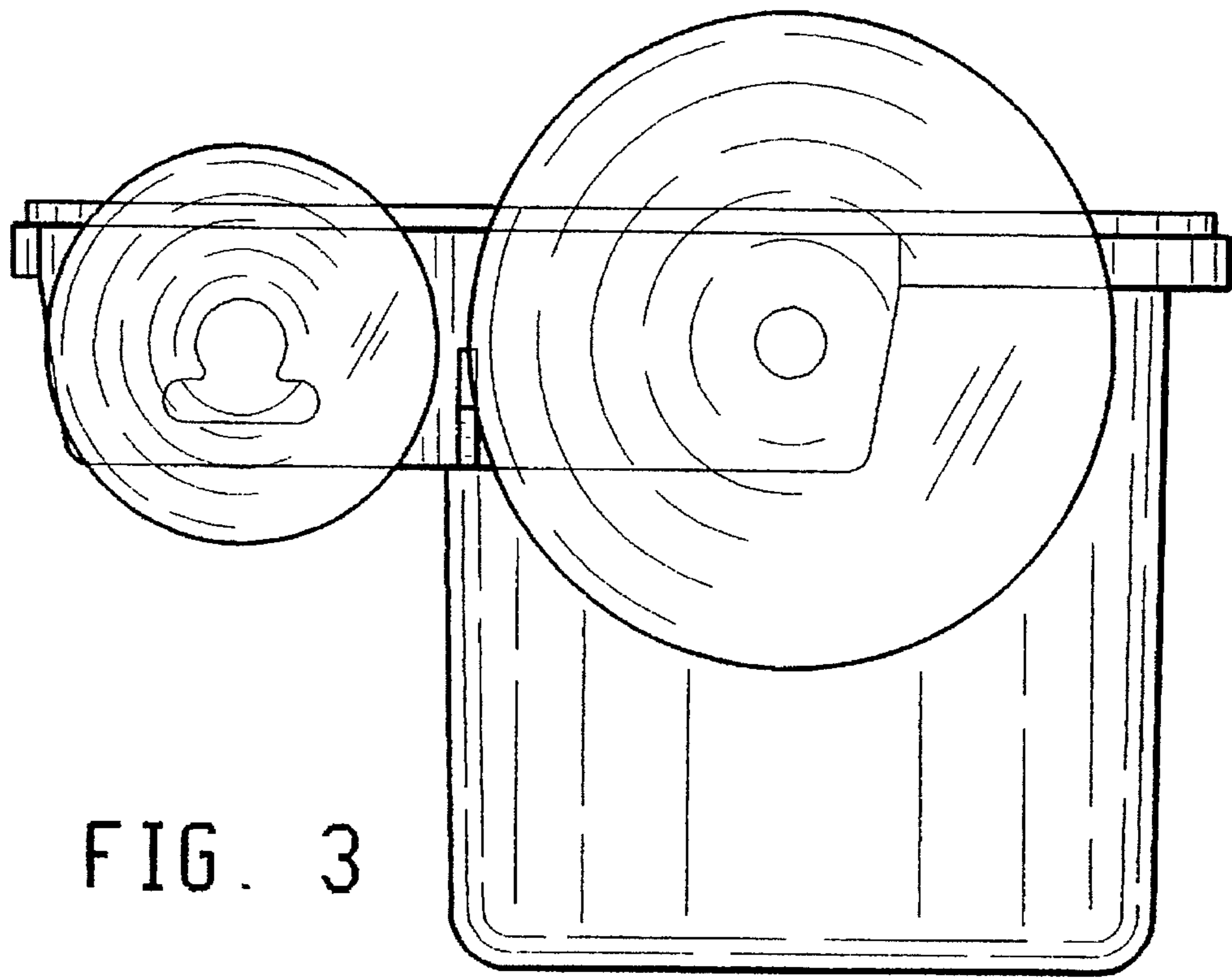
FIG. 5 is a side view of the container and toothbrush holder shown in FIG. 1; and,

FIG. 6 is a side view of the container and toothbrush holder shown in FIG. 1.

**1 Claim, 3 Drawing Sheets**







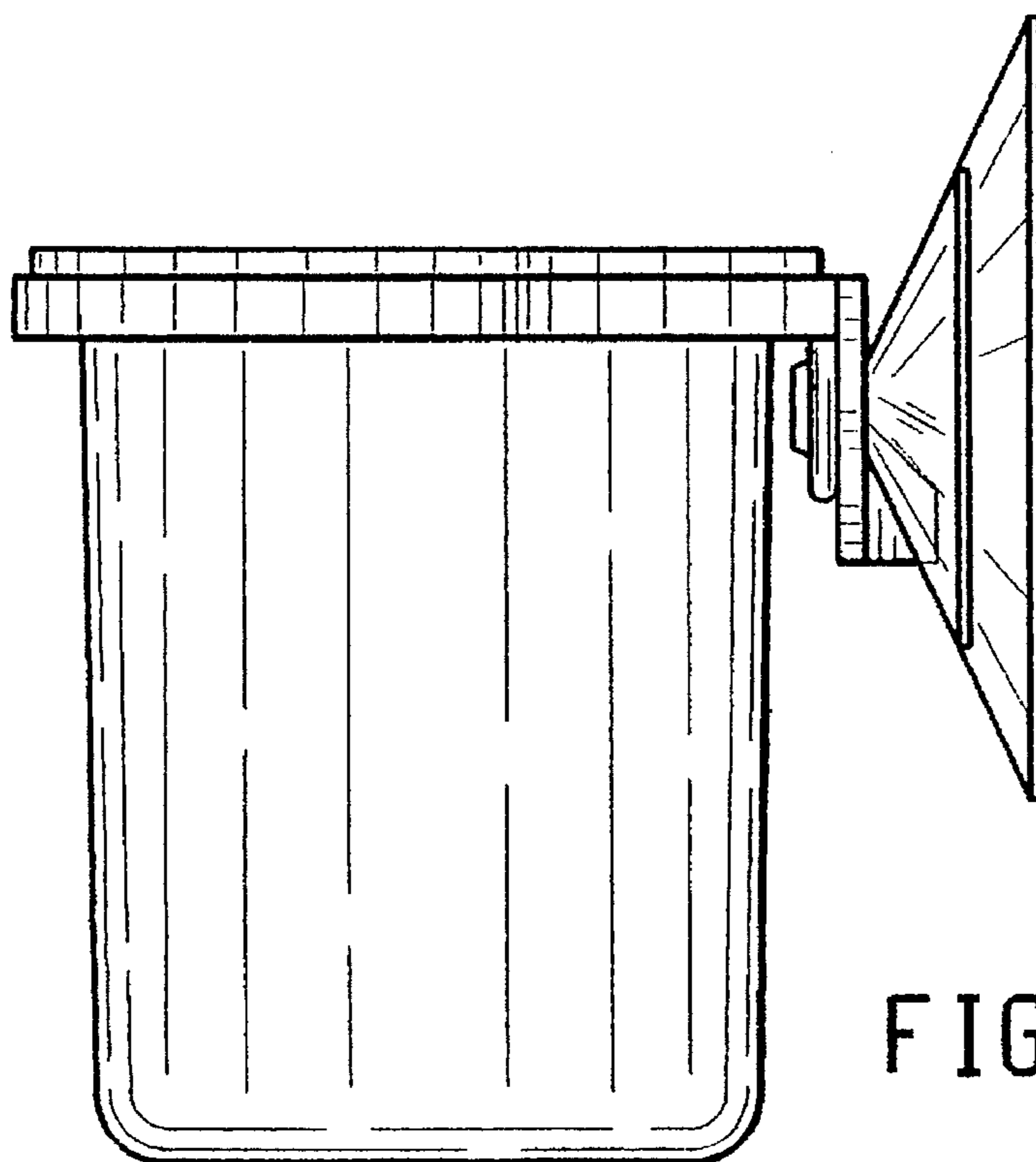


FIG. 5

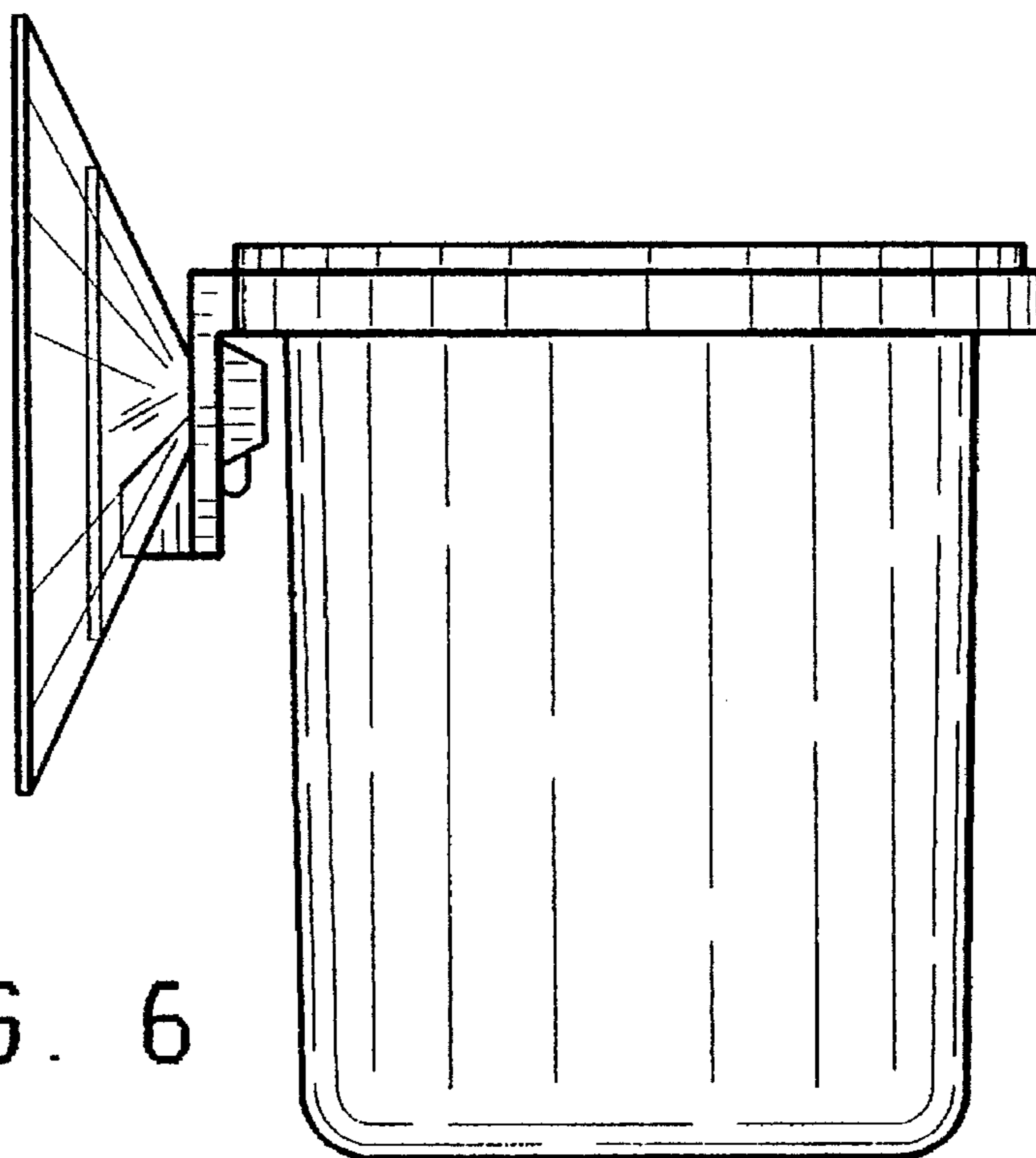


FIG. 6