



US00D379894S

United States Patent [19]

[11] Patent Number: Des. 379,894

Minter

[45] Date of Patent: \*\*Jun. 17, 1997

[54] COMBINATION STORAGE TRAY AND CASE FOR COMPACT DISCS

[76] Inventor: Theodore M. Minter, 3887 Martin Luther King Dr., Cleveland, Ohio 44105

[\*\*] Term: 14 Years

[21] Appl. No.: 35,534

[22] Filed: Mar. 1, 1995

Related U.S. Application Data

[63] Continuation-in-part of Ser. No. 6,403, Mar. 26, 1993, and Ser. No. 18,445, Feb. 7, 1994.

[51] LOC (6) Cl. .... 03-02

[52] U.S. Cl. .... D6/631; D6/629; D6/632; D6/635

[58] Field of Search ..... D3/201, 206; D6/407, D6/408, 626, 629, 630, 631, 632, 633, 634, 635; D19/75, 76; 206/45.13, 1.8, 1.9, 387.1, 387.11, 445, 473, 485, 486, 309-312, 45.23; 402/74, 75

[56] References Cited

U.S. PATENT DOCUMENTS

- D. 231,641 5/1974 Christiansen ..... D87/1
D. 258,027 1/1981 Rache et al. .... D3/35
D. 273,796 5/1984 Milden ..... D19/27
D. 284,621 7/1986 Swinney ..... D3/35
D. 288,982 3/1987 Talopp ..... D3/35
D. 342,379 12/1993 Taniyama ..... D3/35
D. 346,403 4/1994 Ros ..... D19/75
D. 346,404 4/1994 Ros ..... D19/75
D. 359,193 6/1995 Minter ..... D6/626
1,287,842 12/1918 Betts ..... 402/77
1,303,299 5/1919 Hahl ..... 206/309
1,336,293 4/1920 Grammich ..... 206/309
3,109,539 11/1963 Turoff ..... 206/309
3,544,134 12/1970 Sibley ..... 281/33

- 4,219,951 9/1980 Schmidt ..... 40/530
4,449,628 5/1984 Egly et al. .... 206/45.18
4,518,275 5/1985 Rauch, III et al. .... 402/80
4,538,730 9/1985 Wu ..... 206/444
4,588,321 5/1986 Egly ..... 402/77
4,676,374 6/1987 Wilkins ..... 206/444
4,676,375 6/1987 Willems et al. .... 206/444
4,702,369 10/1987 Philosophe ..... 206/309
4,750,611 6/1988 Morrone ..... 206/45.13
4,778,047 10/1988 Lay ..... 206/44
4,793,479 12/1988 Otsuka et al. .... 206/310
4,850,731 7/1989 Youngs ..... 402/79
5,161,907 11/1992 Byrne ..... 402/4
5,165,541 11/1992 Morita ..... 206/387
5,209,593 5/1993 Ros ..... 402/77
5,232,093 8/1993 Hashizume et al. .... 206/387
5,295,577 3/1994 Minter ..... 206/309

FOREIGN PATENT DOCUMENTS

- 911192 7/1946 France ..... 206/309

Primary Examiner—Celia Murphy
Attorney, Agent, or Firm—David A. Burge

[57] CLAIM

The ornamental design for a combination storage tray and case for compact discs, as shown and described.

DESCRIPTION

FIG. 1 is a perspective view of a combination storage tray and case for compact discs showing my new design; FIG. 2 is an exploded perspective view thereof; FIG. 3 a perspective view of FIG. 1, the lid shown in an open position; FIG. 4 is a bottom plan view of FIG. 1; FIG. 5 is a rear elevational view of FIG. 1; FIG. 6 is a right side elevational view of FIG. 1; FIG. 7 is a top plan view of FIG. 1; FIG. 8 is a left side elevational view of FIG. 1; and, FIG. 9 is a front elevational view of FIG. 1.

1 Claim, 2 Drawing Sheets

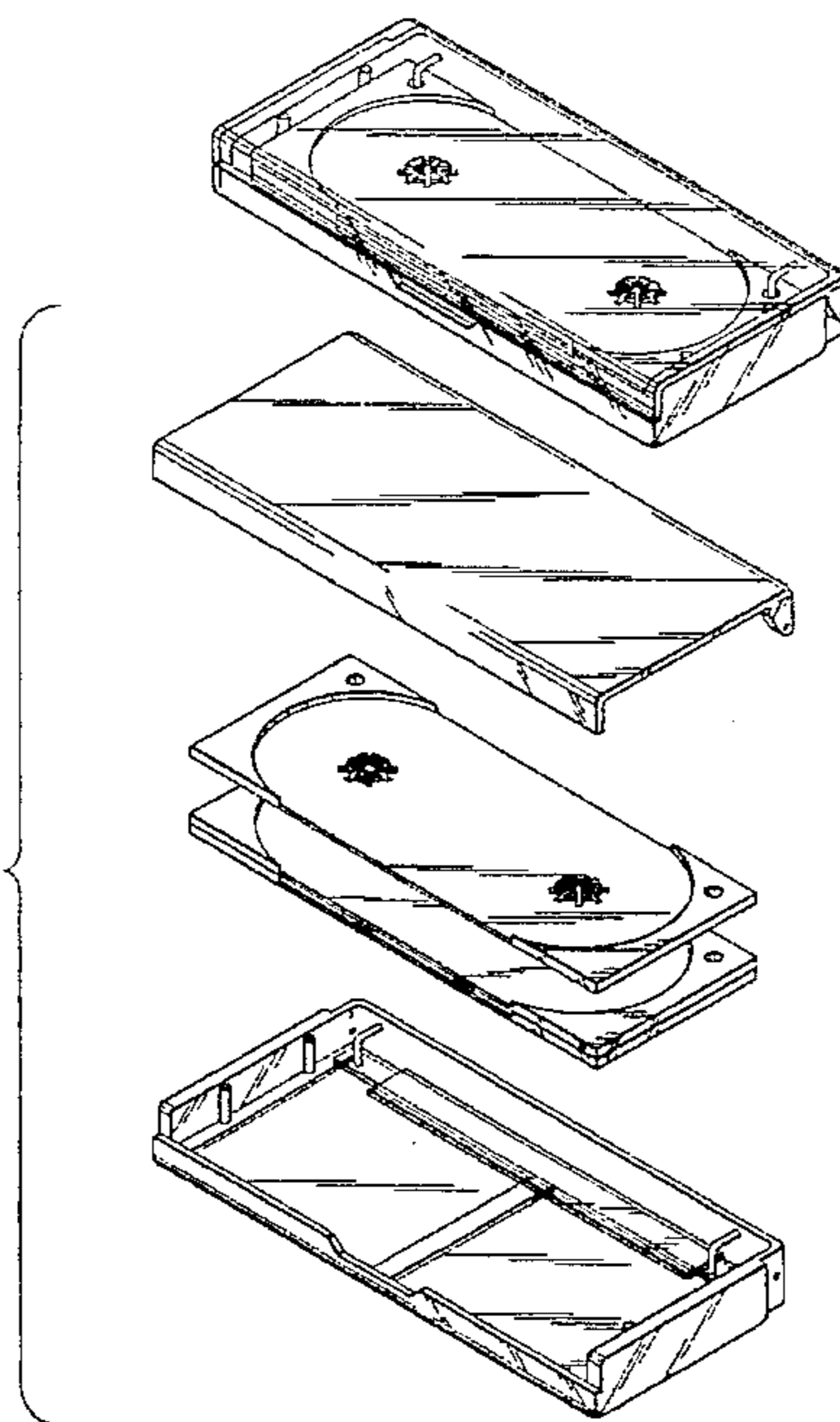


FIG. 1

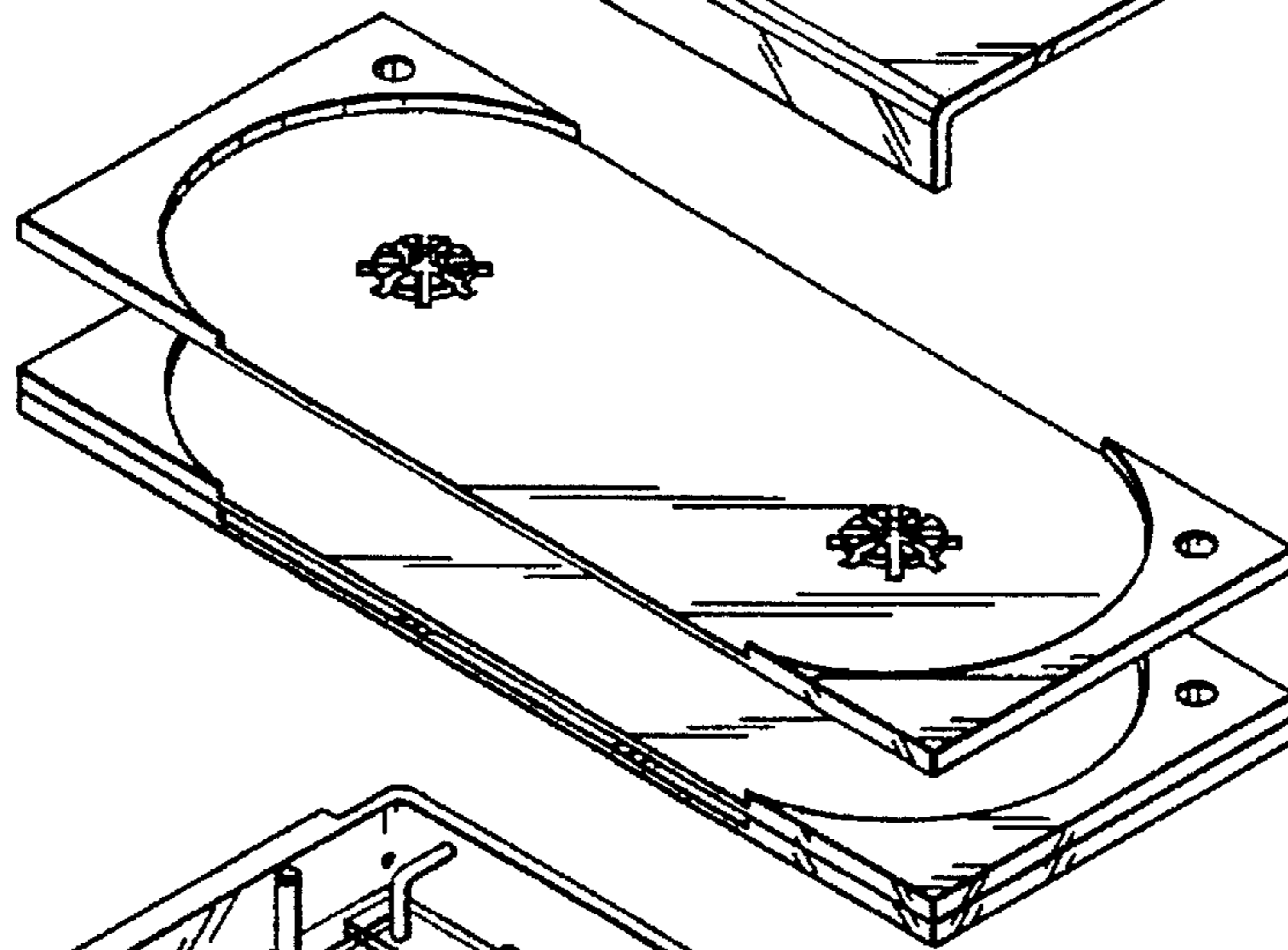
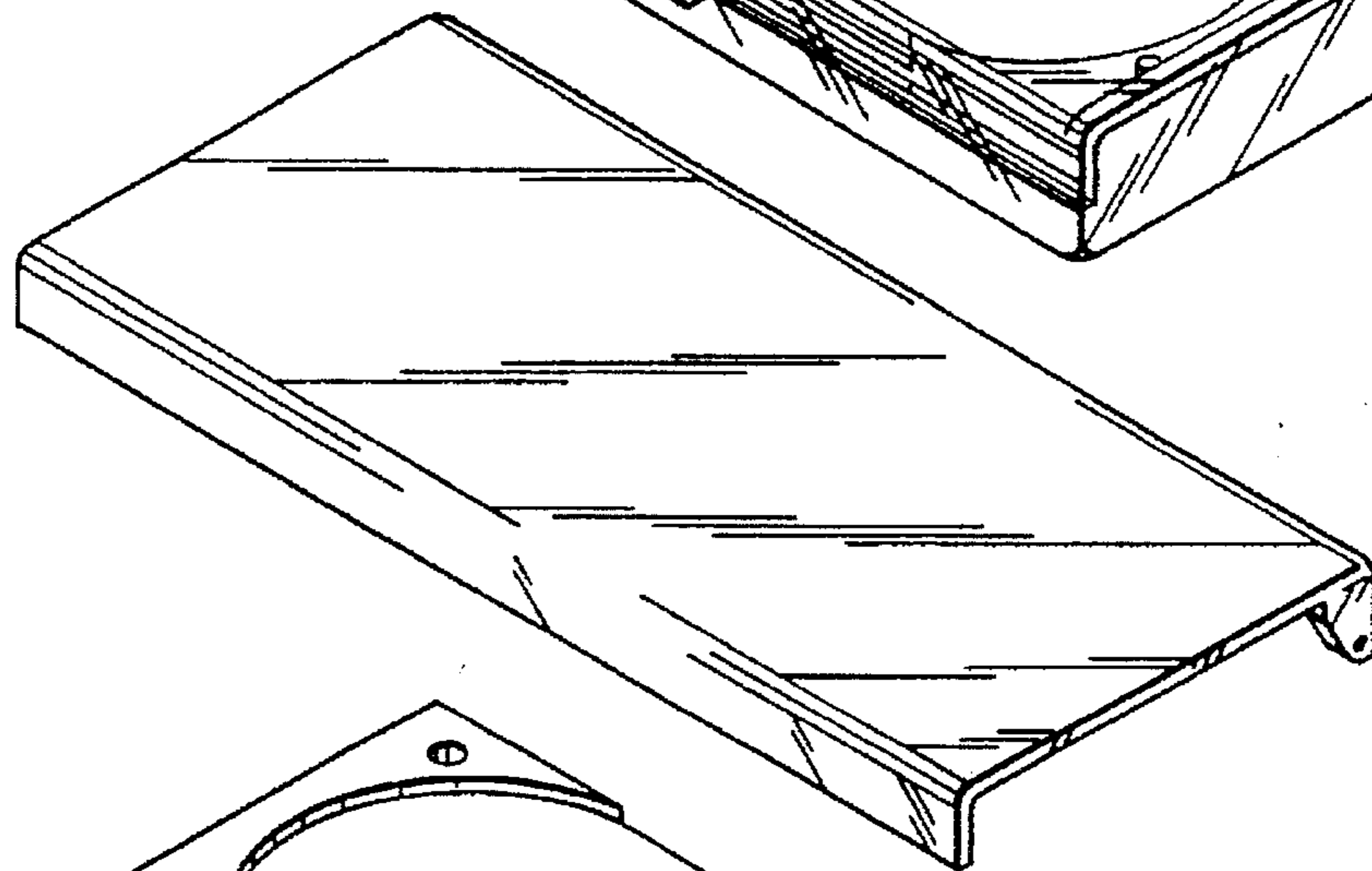
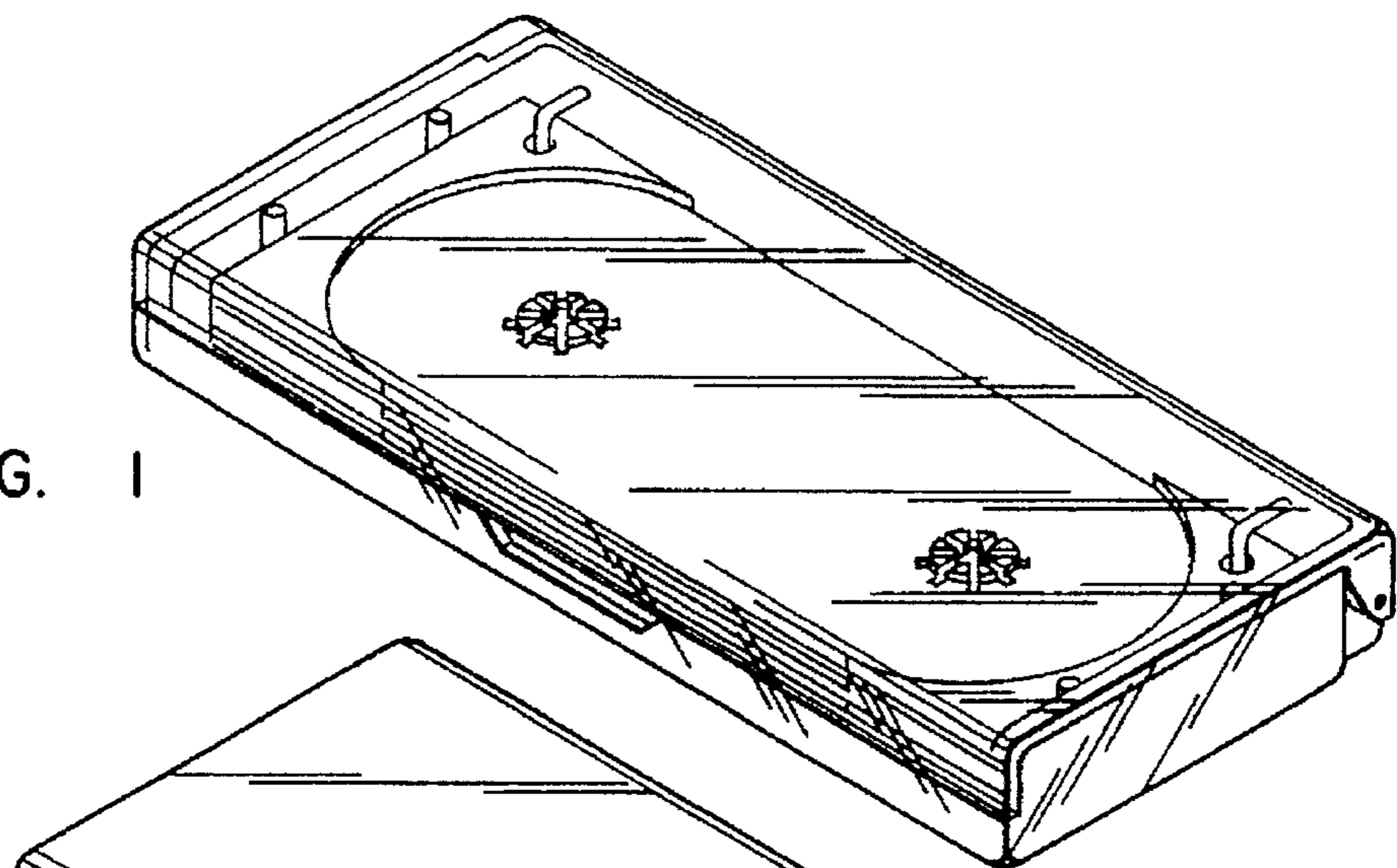
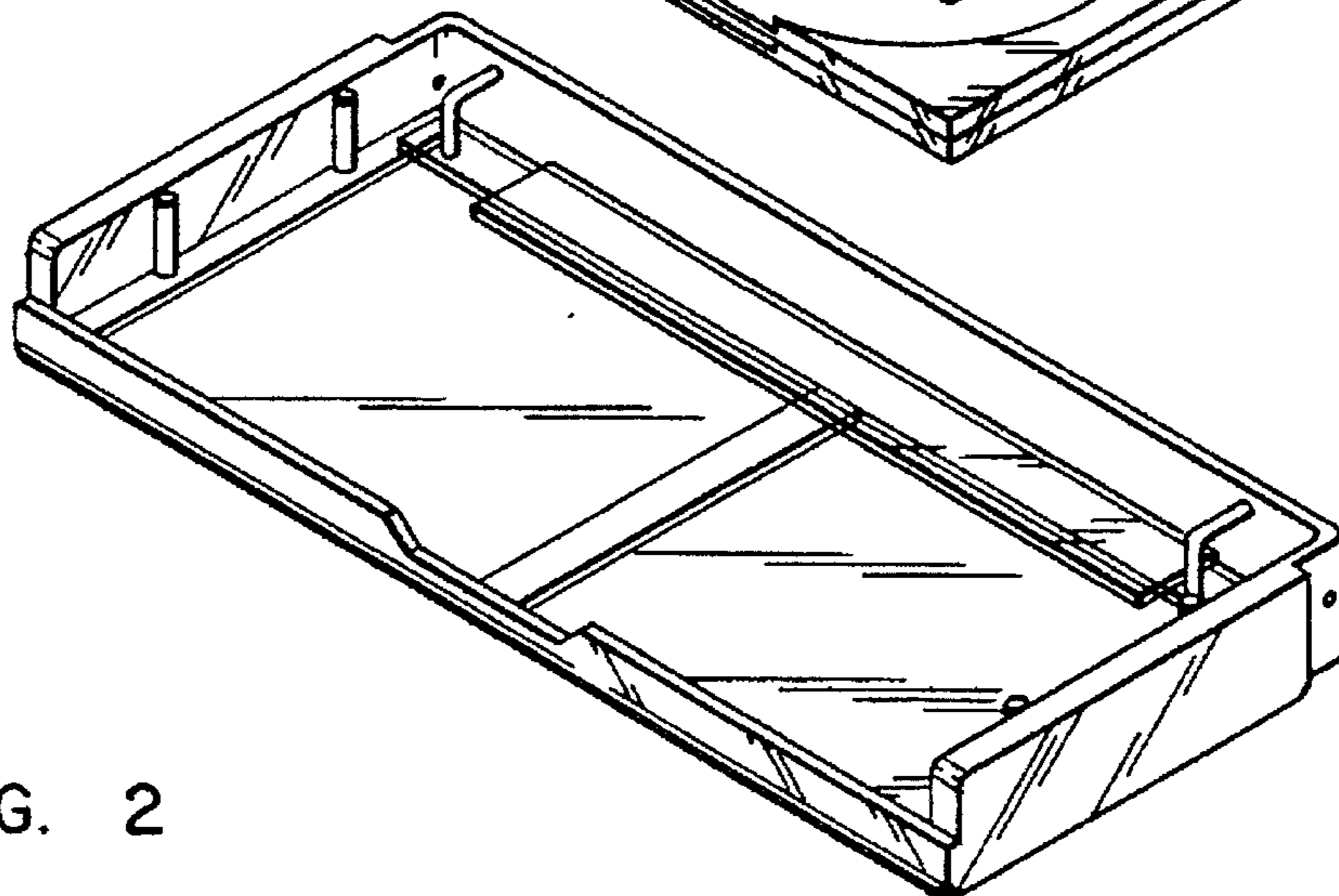


FIG. 2





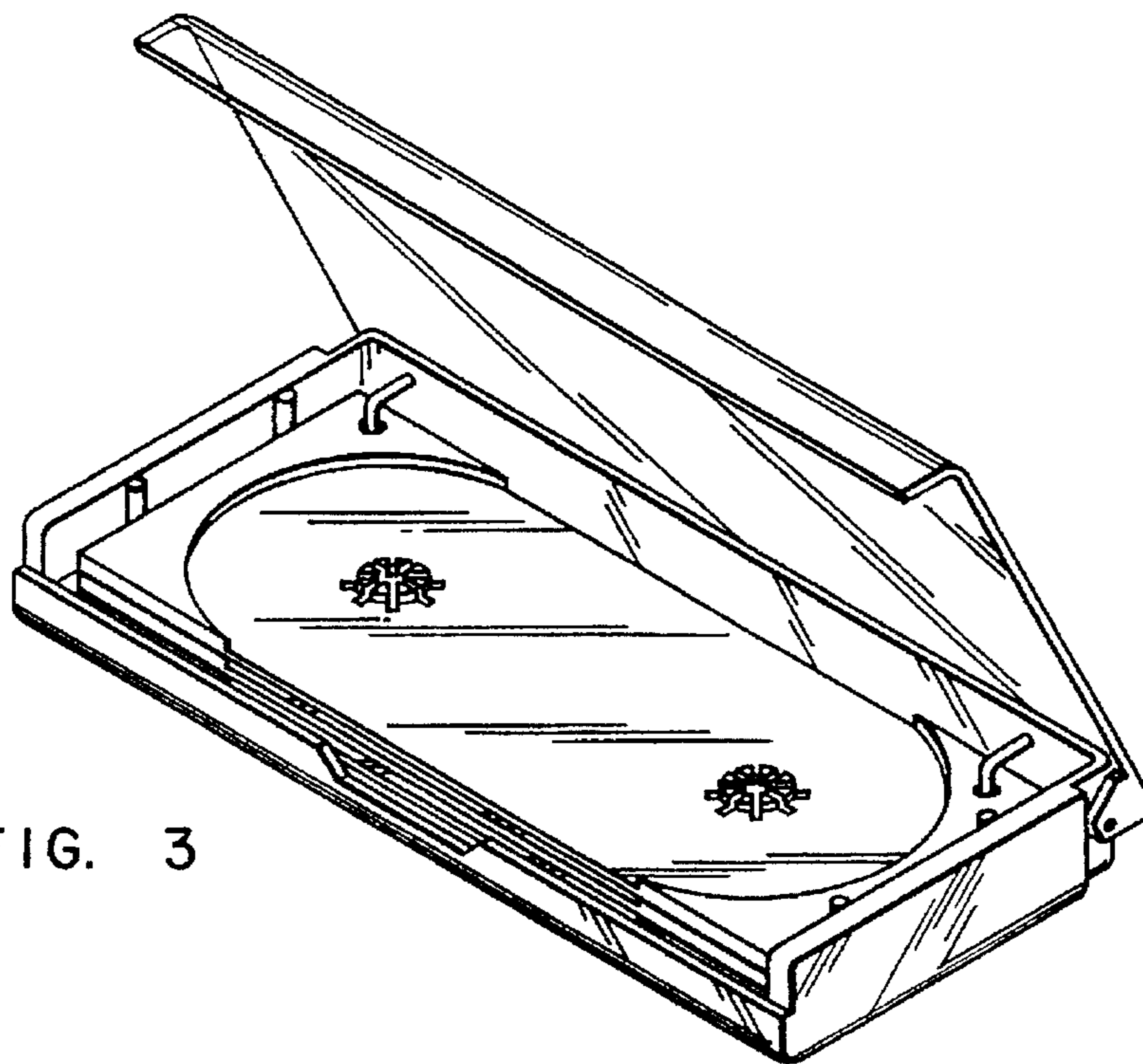


FIG. 3

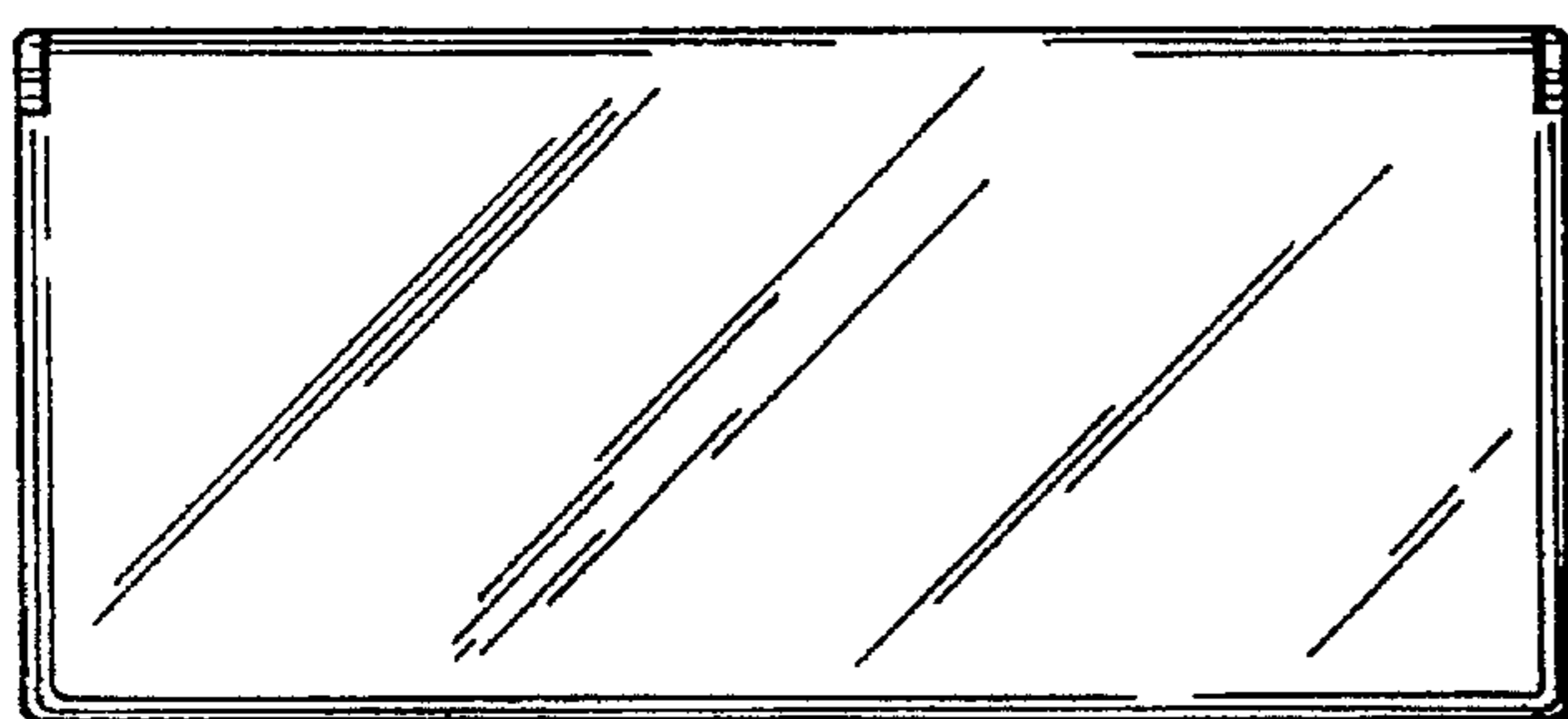


FIG. 4

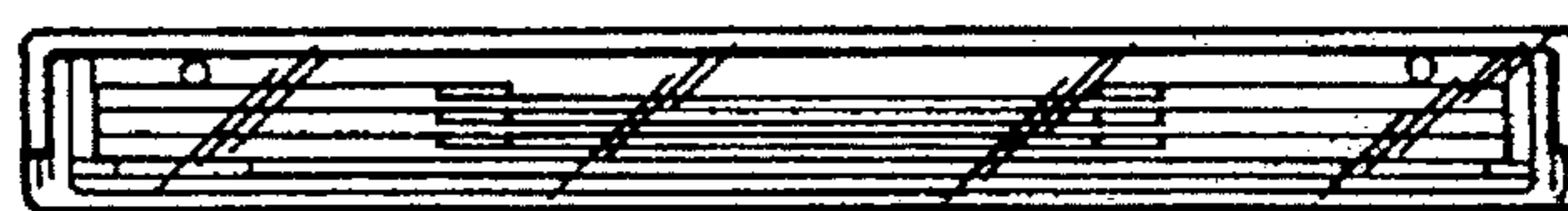


FIG. 5



FIG. 6

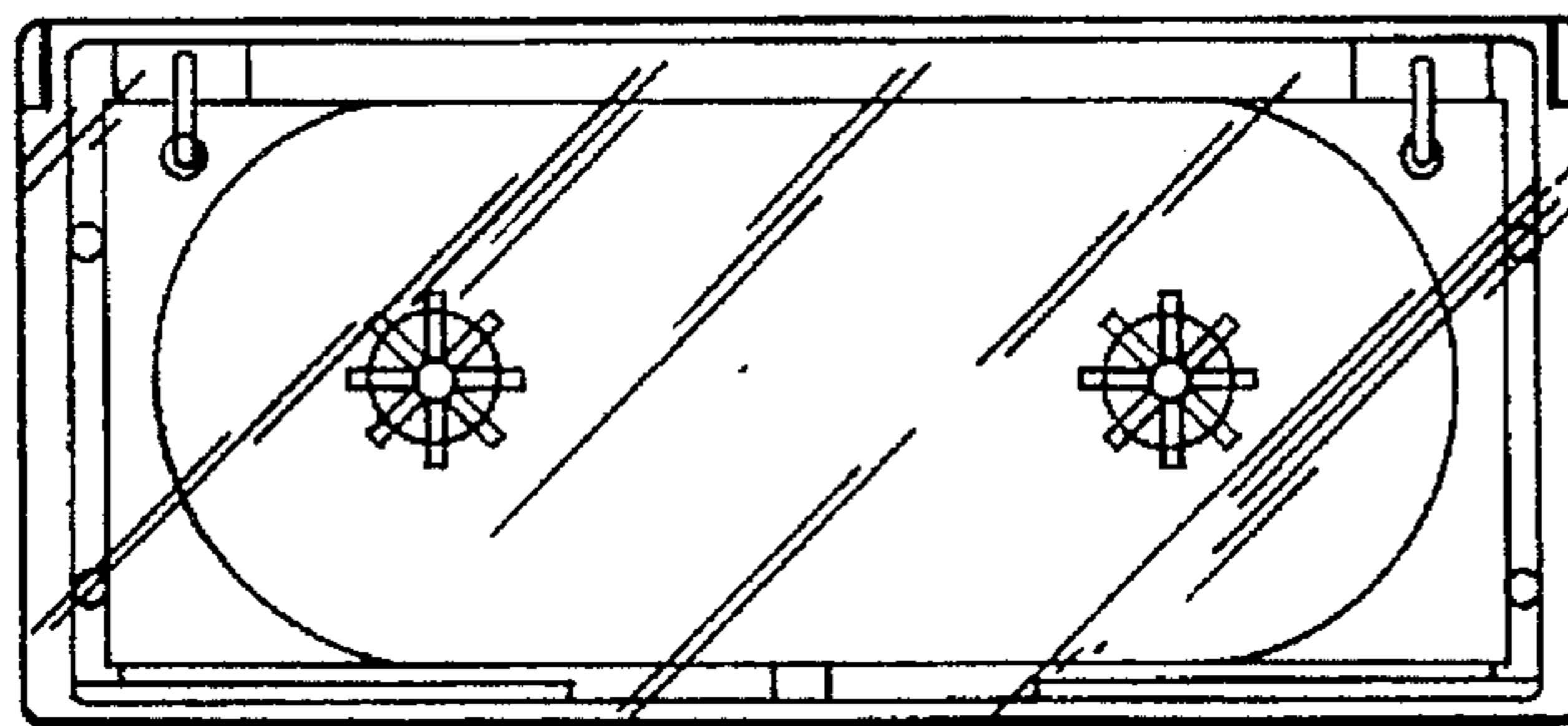


FIG. 7



FIG. 8

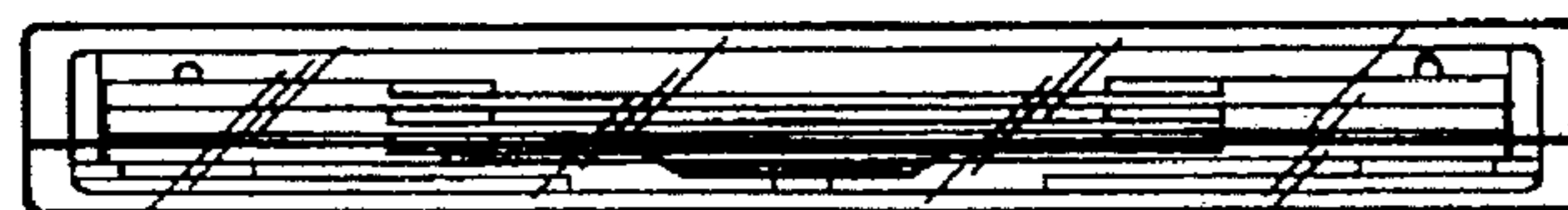


FIG. 9