



US00D379892S

# United States Patent [19]

[11] Patent Number: Des. 379,892

Burns

[45] Date of Patent: \*\*Jun. 17, 1997

[54] **BALLOON SPREADER**

*Primary Examiner*—Brian N. Vinson  
*Attorney, Agent, or Firm*—Grace J. Fishel

[76] Inventor: **Clark J. Burns**, P.O. Box 430,  
O'Fallon, Mo. 63366-0430

[57] **CLAIM**

[\*\*] Term: **14 Years**

The ornamental design for a balloon spreader, as shown and described.

[21] Appl. No.: **45,284**

### DESCRIPTION

[22] Filed: **Oct. 16, 1995**

[51] LOC (6) Cl. .... **08-08**

FIG. 1 is a perspective view of a balloon spreader showing my new design in use;

[52] U.S. Cl. .... **D6/566; D8/363**

FIG. 2 is a front view thereof;

[58] Field of Search ..... D6/512, 553, 567,

FIG. 3 is a back view thereof;

D6/566; D8/363, 373; 446/220, 223; 248/127,

FIG. 4 is a top view thereof;

175, 176

FIG. 5 is a side elevational view; and,

FIG. 6 is a bottom view thereof.

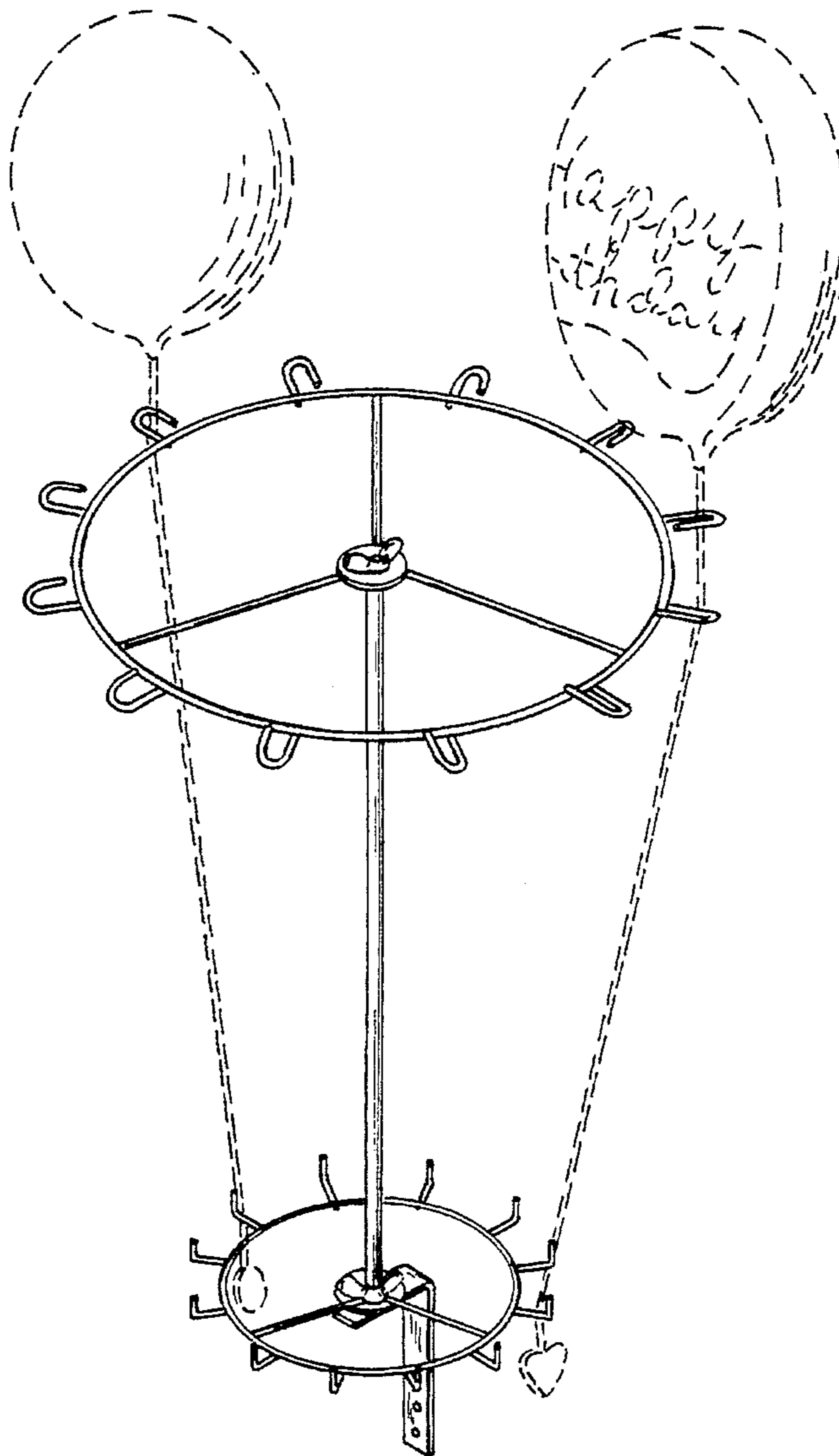
### [56] References Cited

The balloons shown in broken lines in FIG. 1 denote the nature and environmental use of the design and are not part of the design.

#### U.S. PATENT DOCUMENTS

|            |        |                    |         |   |
|------------|--------|--------------------|---------|---|
| D. 360,844 | 8/1995 | Miller et al. .... | D8/363  | X |
| 3,104,086  | 9/1963 | Salzmann .....     | D8/363  | X |
| 4,661,081  | 4/1987 | Basseches .....    | 446/220 |   |

**1 Claim, 2 Drawing Sheets**



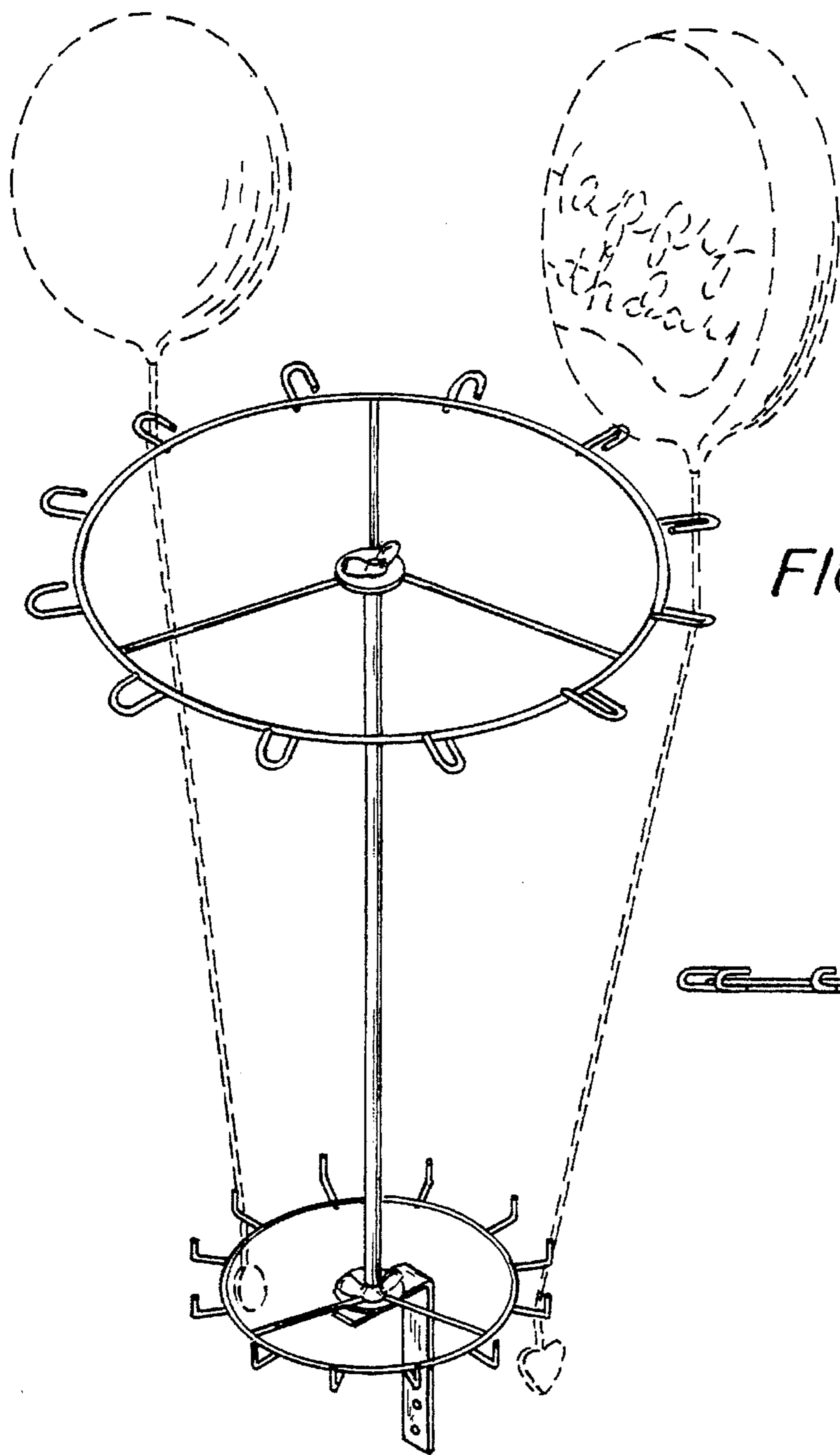


FIG. 1

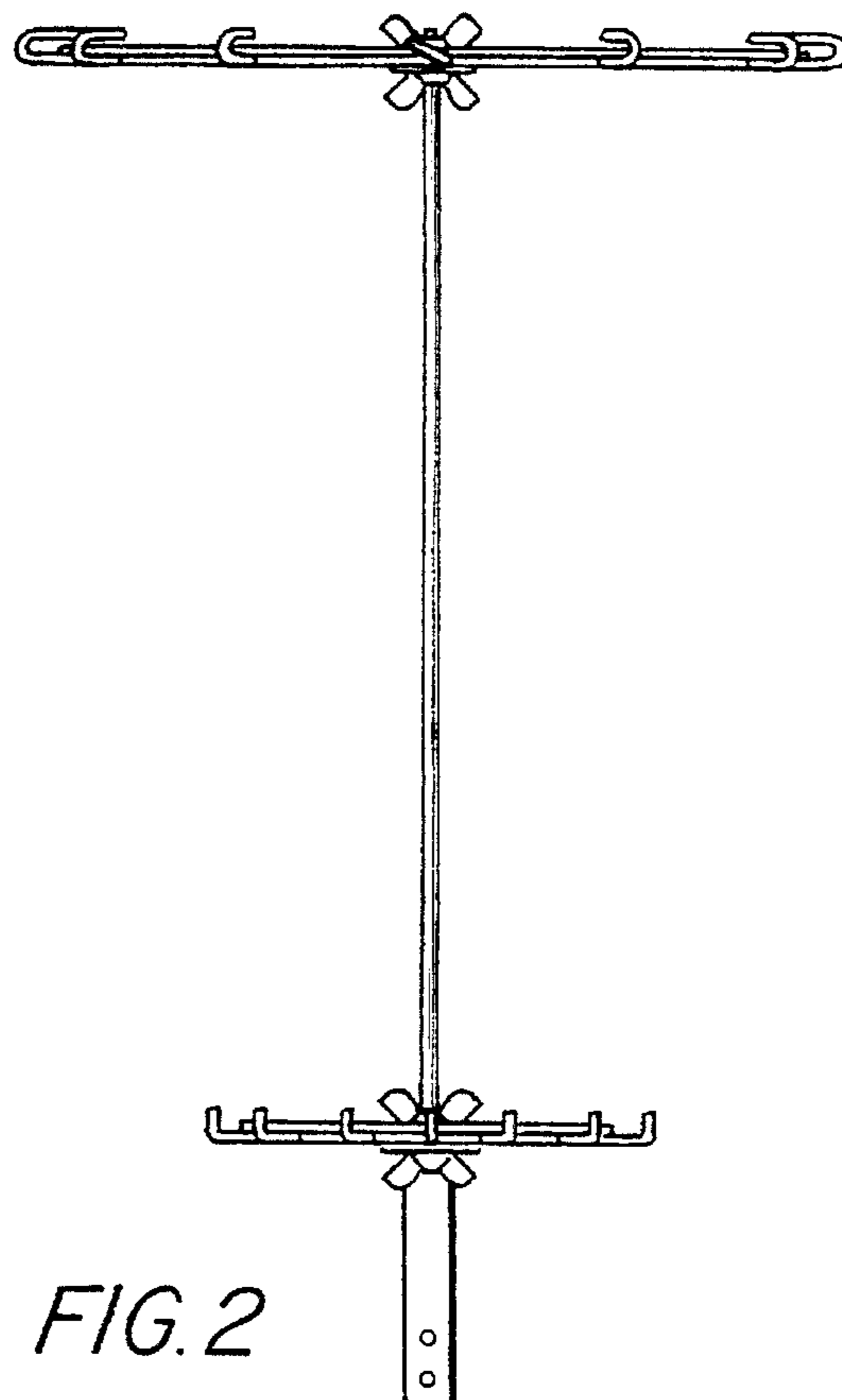


FIG. 2

