



US00D379891S

**United States Patent** [19]  
**Hampshire**

[11] **Patent Number: Des. 379,891**

[45] **Date of Patent: \*\*Jun. 17, 1997**

[54] **SHOWER AND TUB CADDY**

1,784,155 12/1930 Moineau ..... 248/309.1  
4,530,479 7/1985 Chen ..... 248/309.1

[75] Inventor: **James Hampshire**, Solon, Ohio

*Primary Examiner*—Brian N. Vinson

[73] Assignee: **InterDesign, Inc.**, Solon, Ohio

*Attorney, Agent, or Firm*—D. Peter Hochberg; Mark Kusner; Michael Jaffe

[\*\*] Term: **14 Years**

[57] **CLAIM**

[21] Appl. No.: **48,387**

The ornamental design for a shower and tub caddy, as shown and described.

[22] Filed: **Dec. 27, 1995**

**DESCRIPTION**

[51] LOC (6) Cl. .... **07-07**

[52] U.S. Cl. .... **D6/525**

[58] Field of Search ..... D6/524-525, 567;  
248/309.1; 108/25, 28, 136; 211/13, 71,  
70.6, 86, 126, 134

FIG. 1 is a top view of a shower and tub caddy embodying my new design;

FIG. 2 is a front elevation of the shower and tub caddy shown in FIG. 1;

FIG. 3 is a rear elevation of the shower and tub caddy shown in FIG. 1;

FIG. 4 is a bottom view of the shower and tub caddy shown in FIG. 1; and,

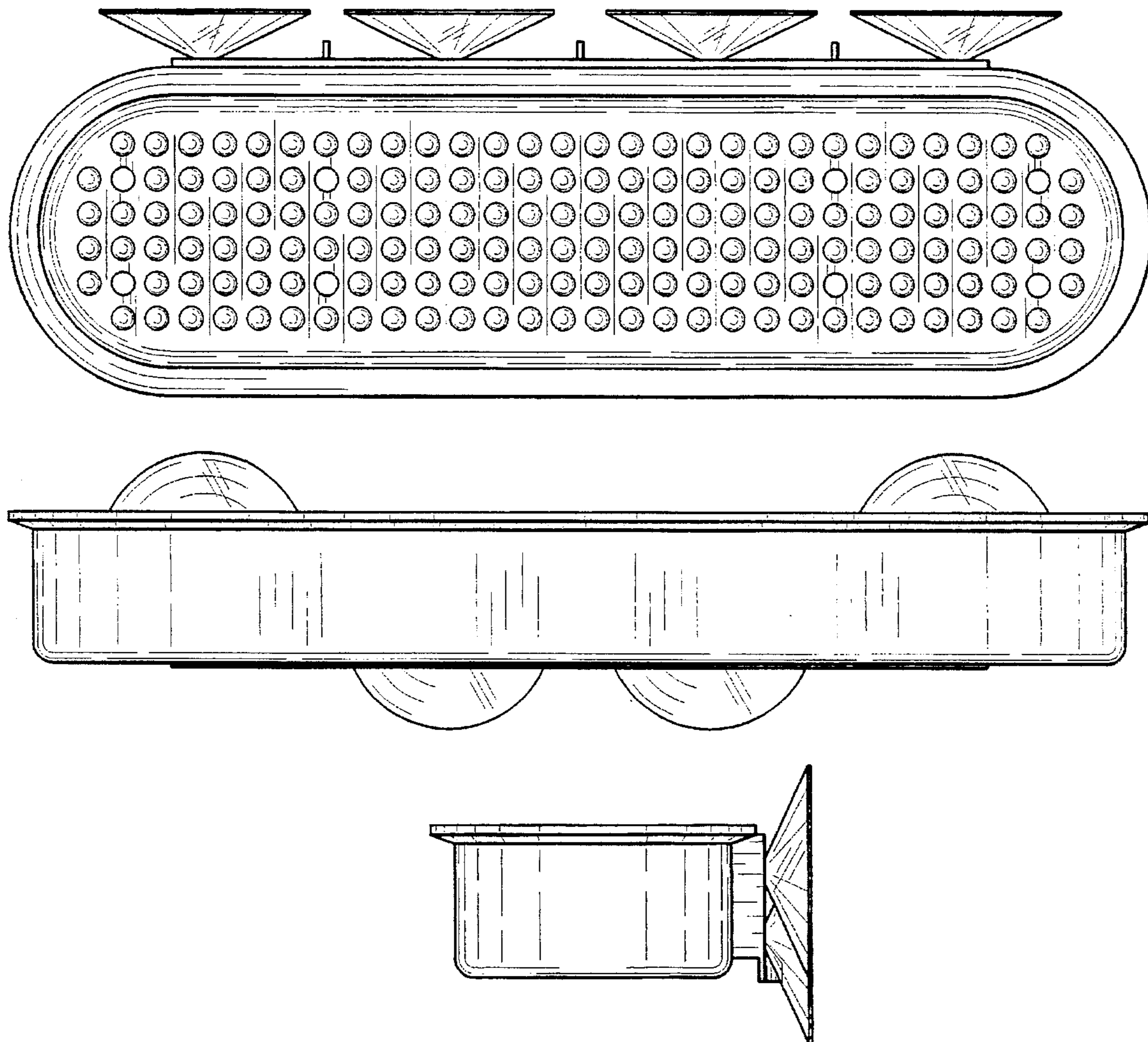
FIG. 5 is a side view of the shower and tub caddy shown in FIG. 1.

[56] **References Cited**

**U.S. PATENT DOCUMENTS**

- D. 224,198 7/1972 Hastings ..... D6/567
- D. 347,512 5/1994 Yoshikawa ..... D3/304
- D. 362,780 10/1995 Hampshire ..... D6/525 X

**1 Claim, 3 Drawing Sheets**



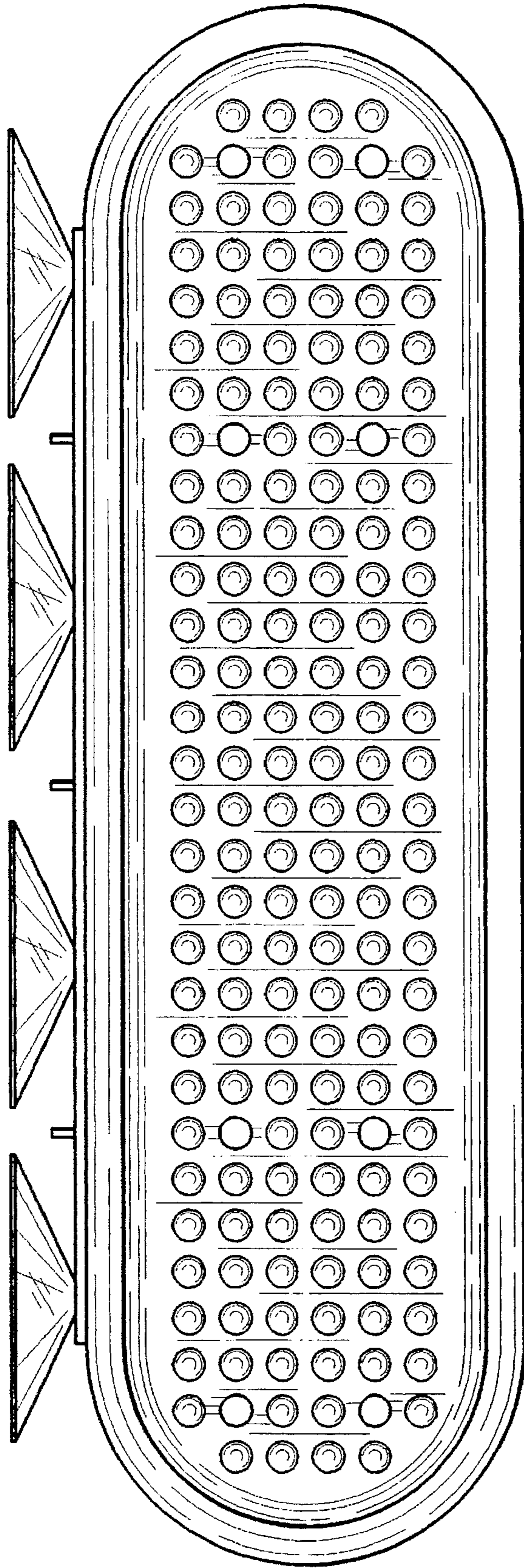


Fig. 1

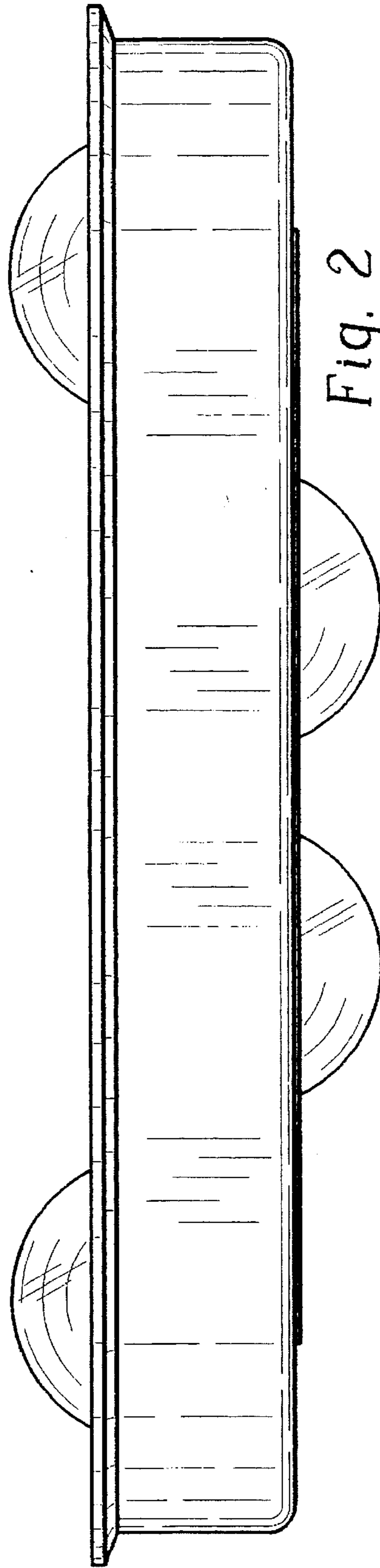


Fig. 2

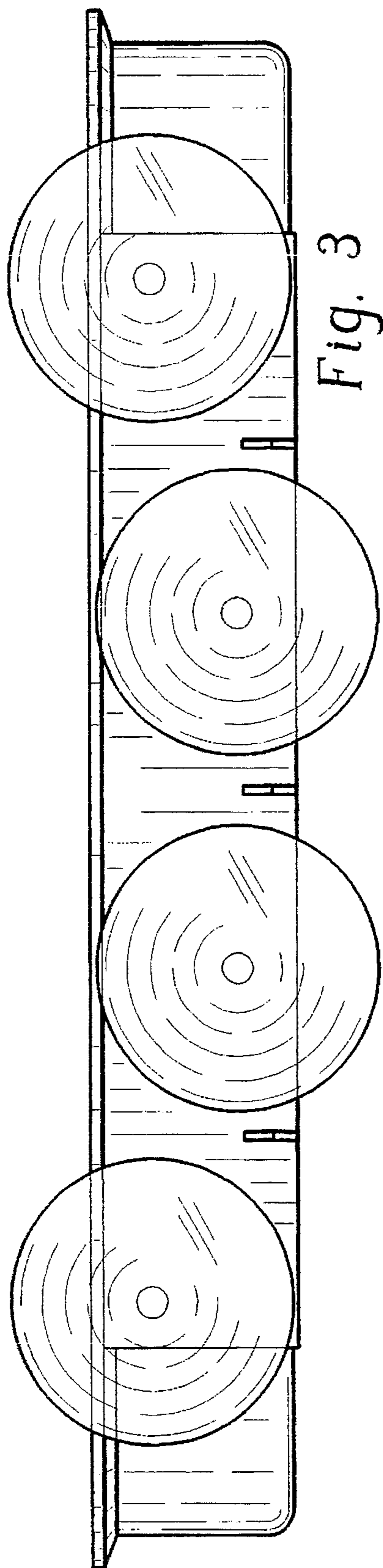


Fig. 3

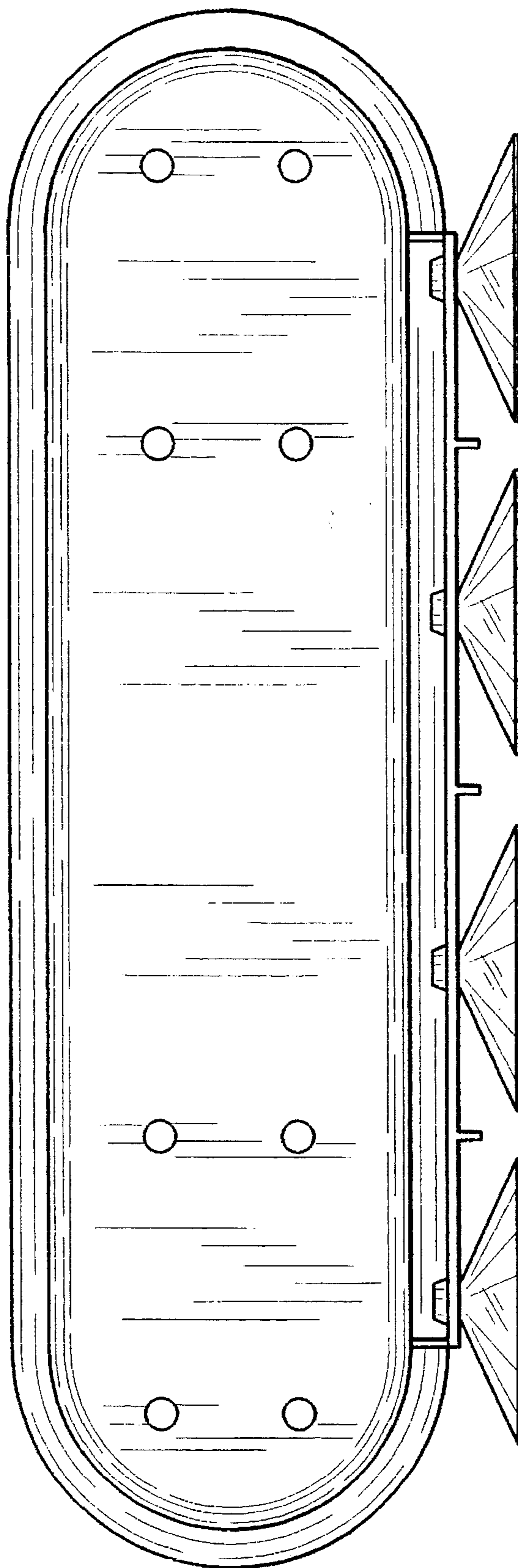
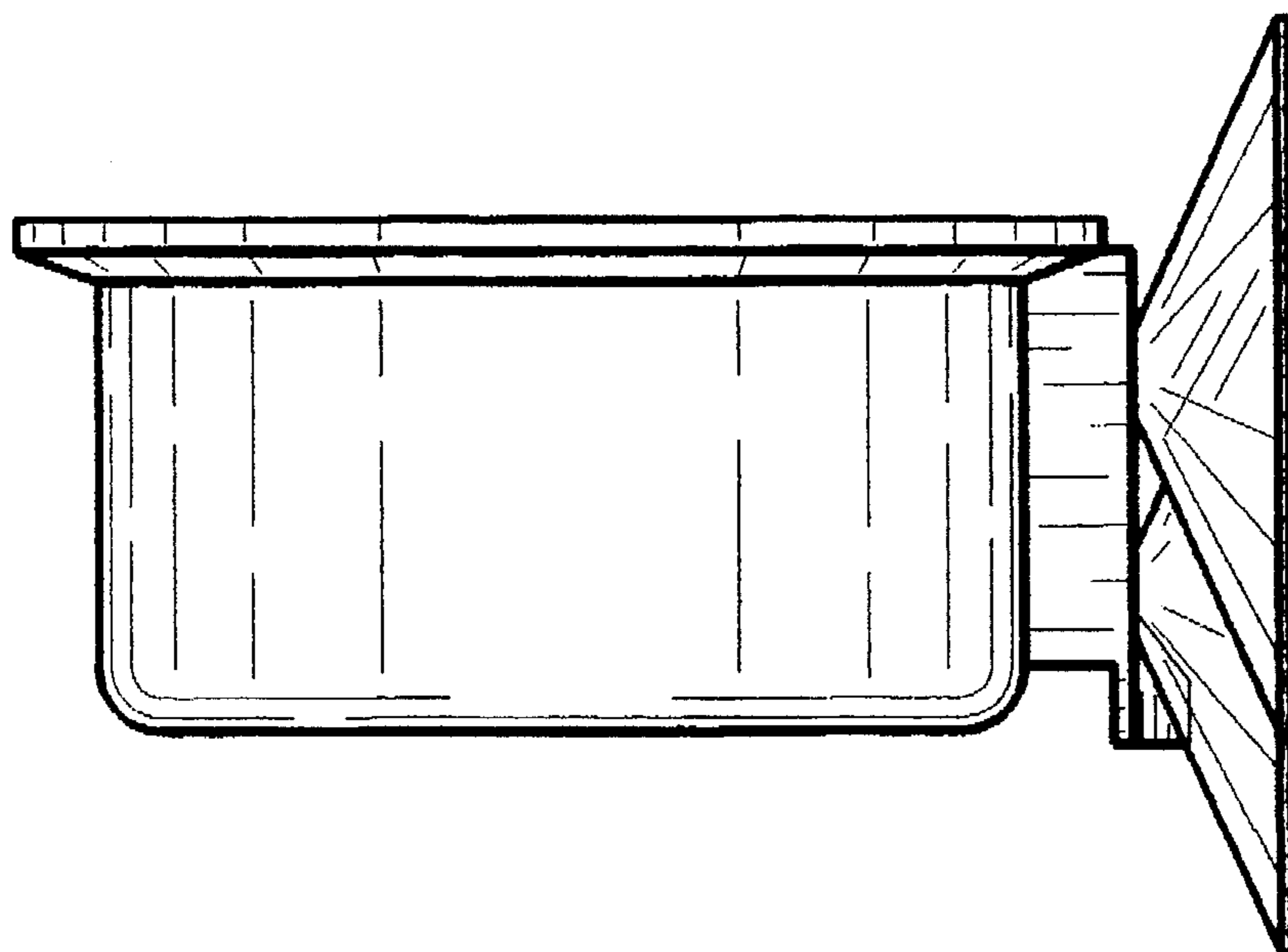


Fig. 4



*Fig. 5*