



US00D379890S

United States Patent [19]
Hampshire

[11] **Patent Number: Des. 379,890**
[45] **Date of Patent: **Jun. 17, 1997**

[54] **SHOWER AND TUB ORGANIZER**

1,784,155 12/1930 Moineau 248/309.1
4,530,479 7/1985 Chen 248/309.1

[75] Inventor: **James Hampshire**, Solon, Ohio

Primary Examiner—Brian N. Vinson

[73] Assignee: **InterDesign, Inc.**, Solon, Ohio

Attorney, Agent, or Firm—D. Peter Hochberg; Mark Kusner; Michael Jaffe

[**] Term: **14 Years**

[57] **CLAIM**

[21] Appl. No.: **48,384**

The ornamental design for a shower and tub organizer, as shown and described.

[22] Filed: **Dec. 27, 1995**

DESCRIPTION

[51] **LOC (6) Cl.** **07-07**

[52] **U.S. Cl.** **D6/525**

[58] **Field of Search** D6/524, 525, 529,
D6/532, 567; 108/25, 28, 136; 211/13,
71, 70.6, 86, 126, 134; 248/309.1

FIG. 1 is a top view of a shower and tub organizer embodying my new design;

FIG. 2 is a front elevation of the shower and tub organizer shown in FIG. 1;

FIG. 3 is a rear elevation of the shower and tub organizer shown in FIG. 1;

FIG. 4 is a bottom view of the shower and tub organizer shown in FIG. 1; and,

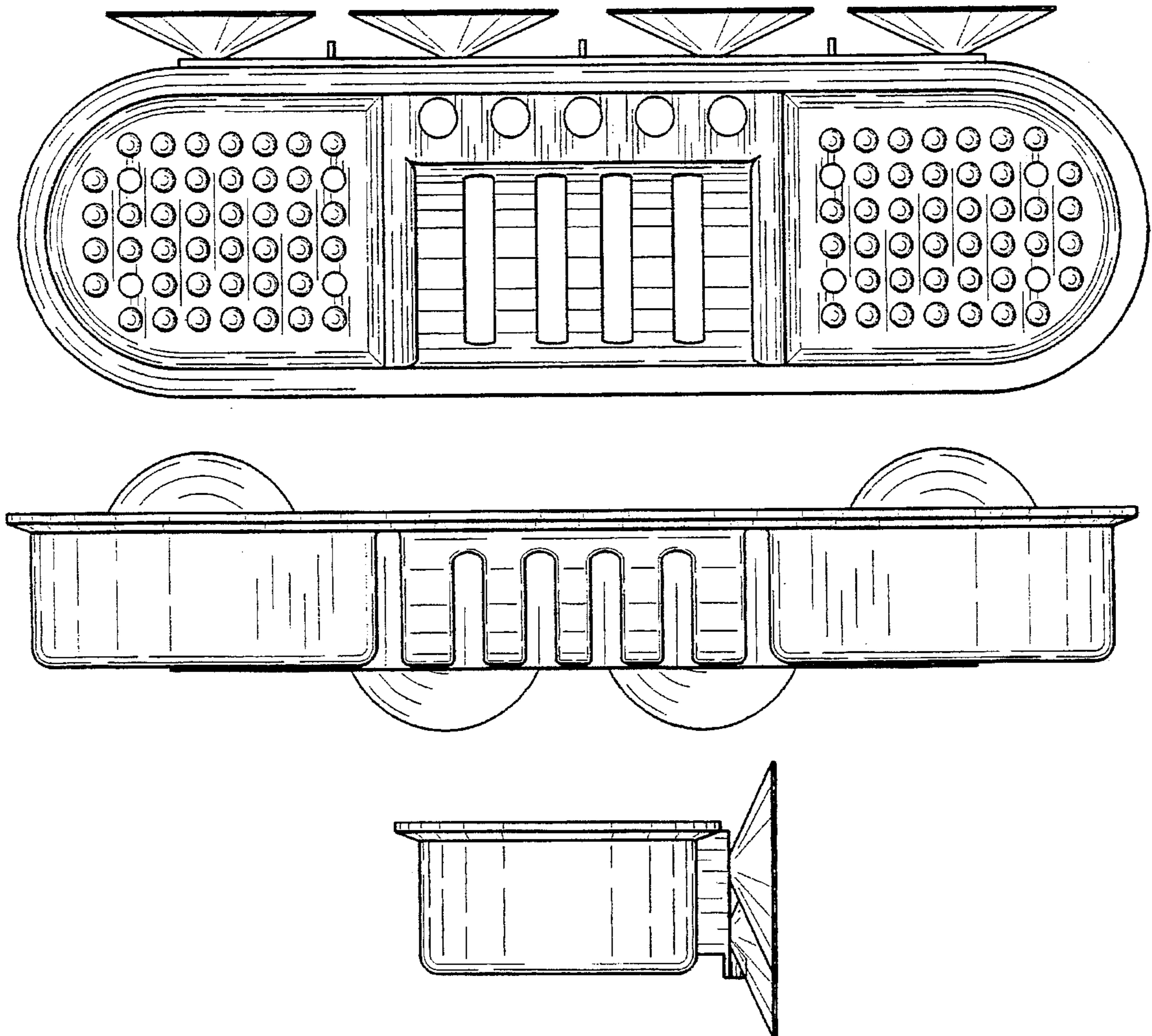
FIG. 5 is a side view of the shower and tub organizer shown in FIG. 1.

[56] **References Cited**

U.S. PATENT DOCUMENTS

- D. 154,476 7/1949 Heym D6/529
- D. 204,093 3/1966 Kunz D6/532
- D. 224,198 7/1972 Hastings D6/567
- D. 234,654 4/1975 Woody D6/532
- D. 362,780 10/1995 Hampshire D6/525 X

1 Claim, 3 Drawing Sheets



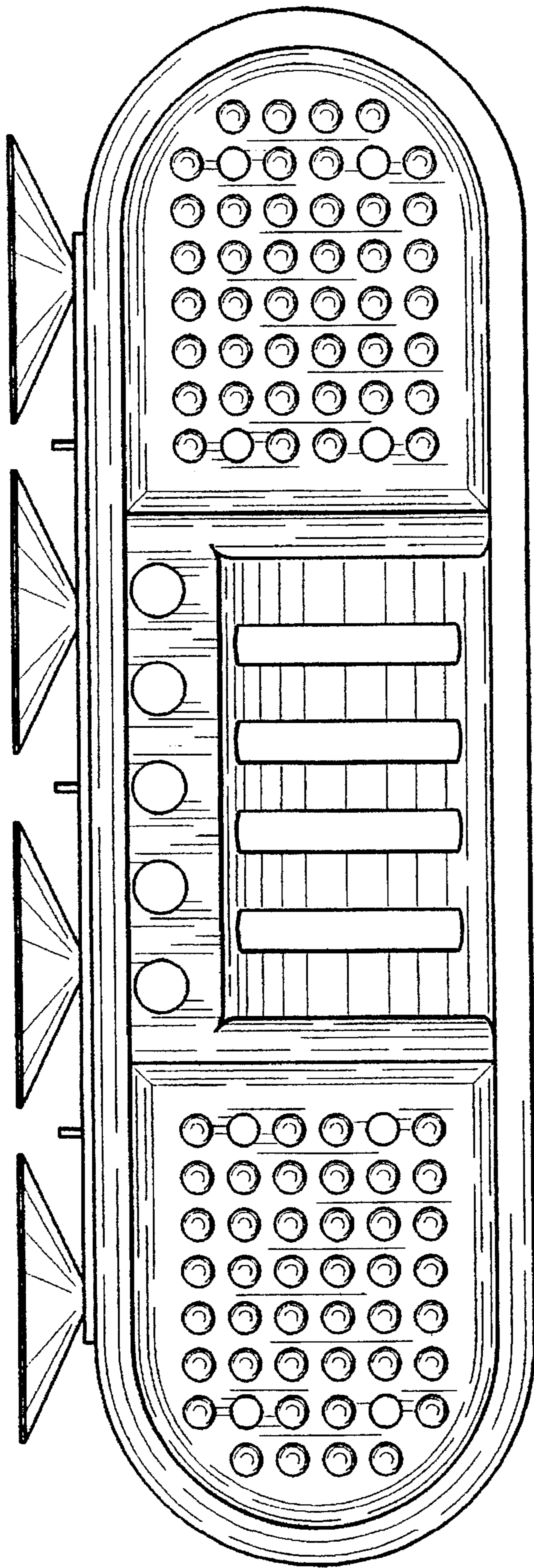


FIG. 1

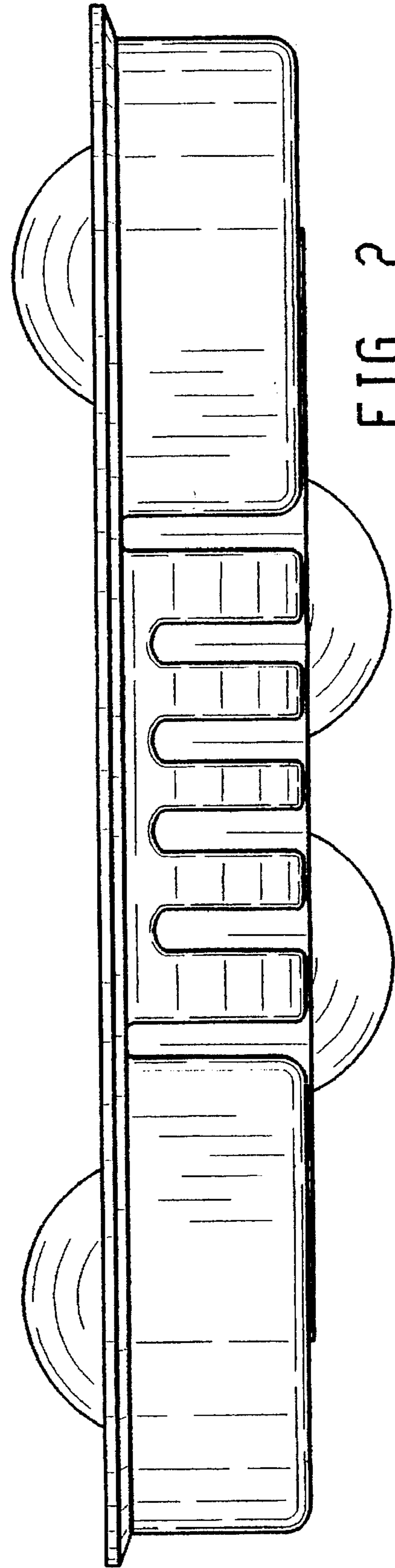


FIG. 2

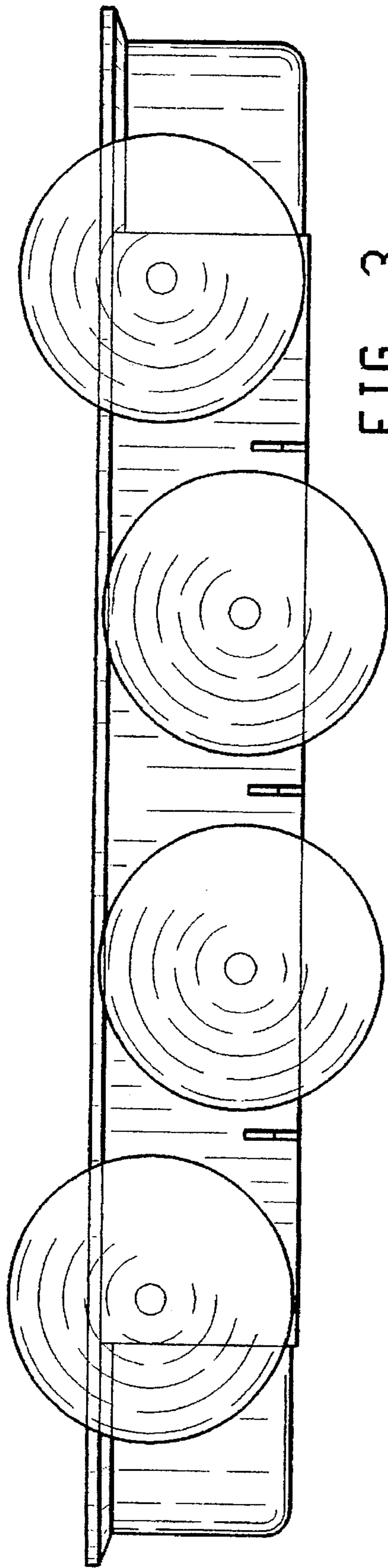


FIG. 3

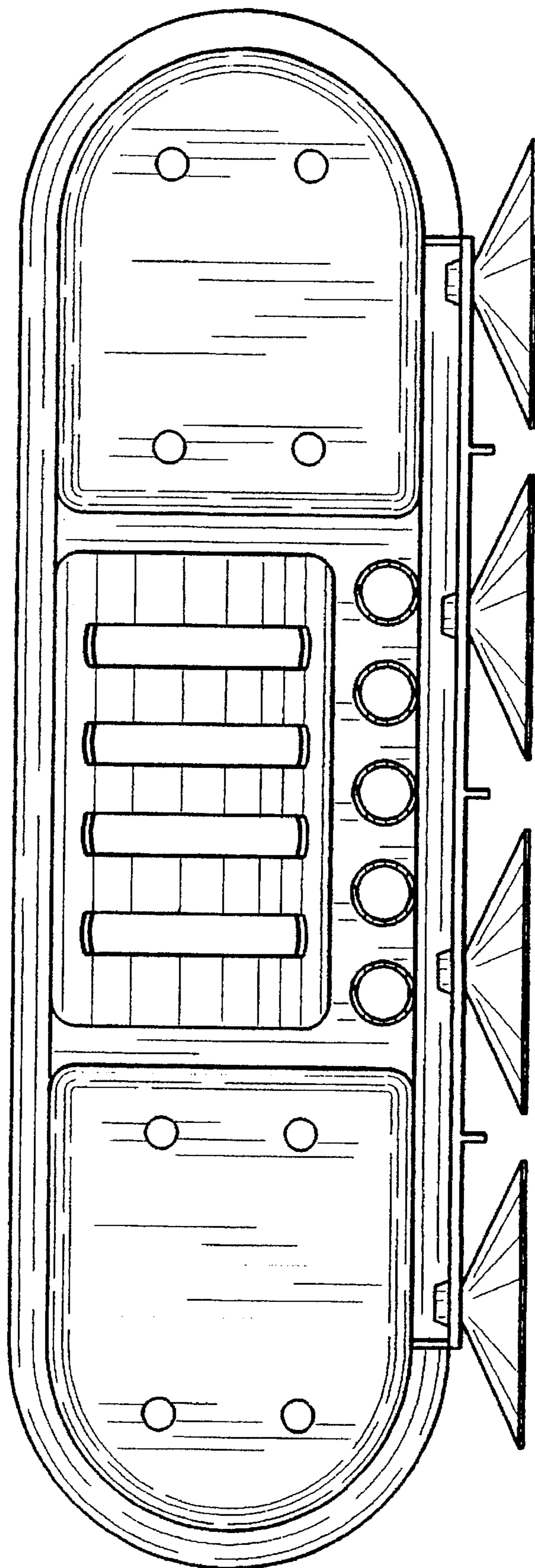


FIG. 4

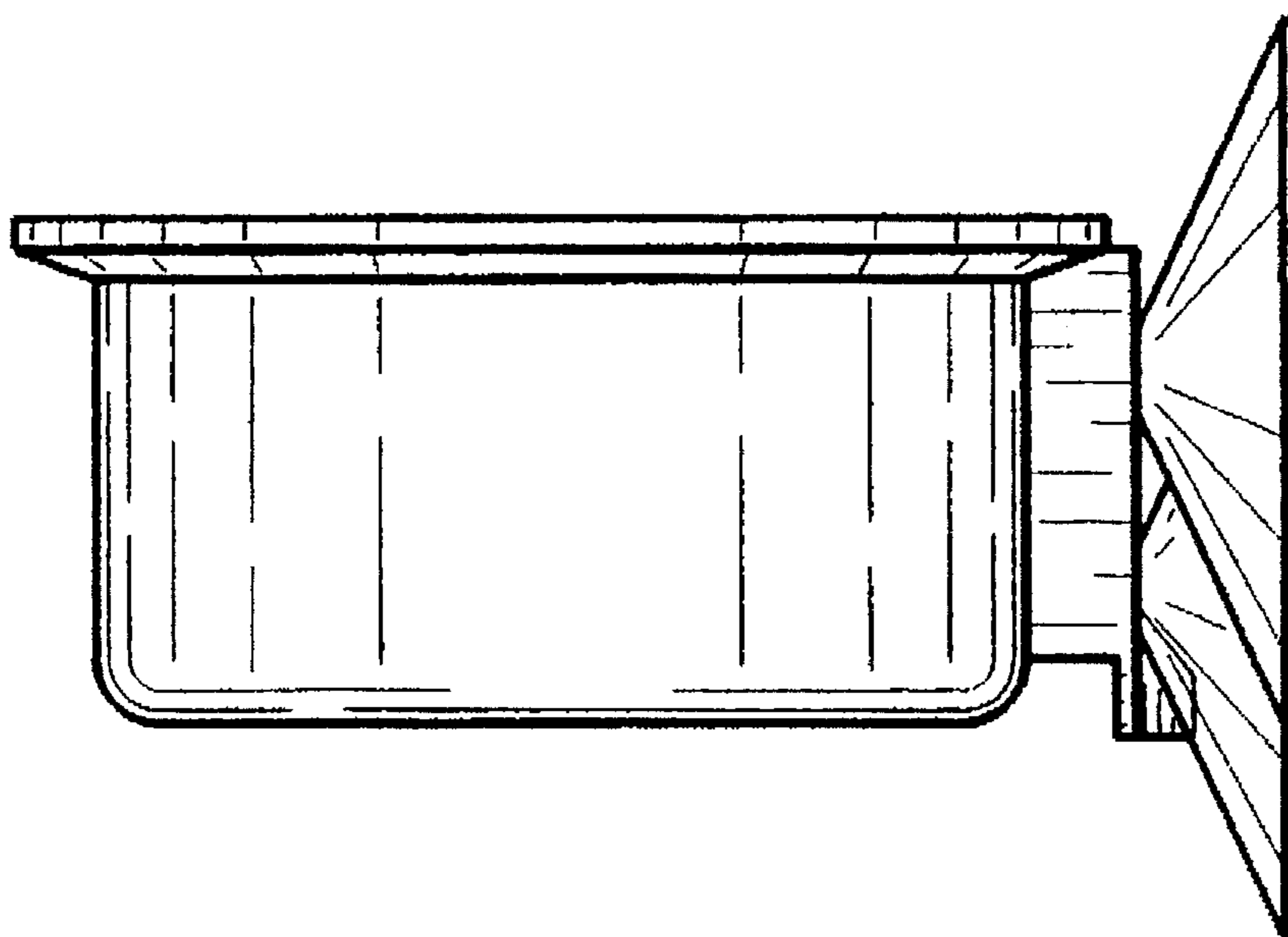


FIG. 5