



US00D379887S

United States Patent [19]
Muller-Deisig et al.

[11] **Patent Number: Des. 379,887**
[45] **Date of Patent: **Jun. 17, 1997**

[54] **WORK TABLE**

[75] Inventors: **Wolfgang Muller-Deisig**, Berlin,
Germany; **Alexander Henricus**
Antonius Maria Dankers,
Berkel-Enshot, Netherlands

[73] Assignee: **Assenburg B.V.**, Tillburg, Netherlands

[**] Term: **14 Years**

[21] Appl. No.: **37,650**

[22] Filed: **Apr. 18, 1995**

[30] **Foreign Application Priority Data**

Oct. 19, 1994 [BX] Benelux TM/Des. Off. 70186-01/11

[51] **LOC (6) Cl.** **06-03**

[52] **U.S. Cl.** **D6/484; D6/422**

[58] **Field of Search** D6/480-489, 495,
D6/499, 429, 430, 422, 428, 423; 108/64,
185, 153, 156, 157, 161, 50; 312/223.2,
223.3

[56] **References Cited**

U.S. PATENT DOCUMENTS

D. 318,966	8/1991	Schroff et al.	D6/474
D. 331,163	11/1992	Bellini et al.	D6/480
D. 371,703	7/1996	Muller-Deisig et al.	D6/484
5,544,593	8/1996	Canfield	312/196 X

Primary Examiner—Janice E. Seeger
Attorney, Agent, or Firm—Ladas & Parry

[57] **CLAIM**

The ornamental design for a work table, as shown.

DESCRIPTION

FIG. 1 is a front perspective view showing our design;

FIG. 2 is an end view thereof;

FIG. 3 is a bottom view thereof; and,

FIG. 4 is a top view thereof.

1 Claim, 2 Drawing Sheets

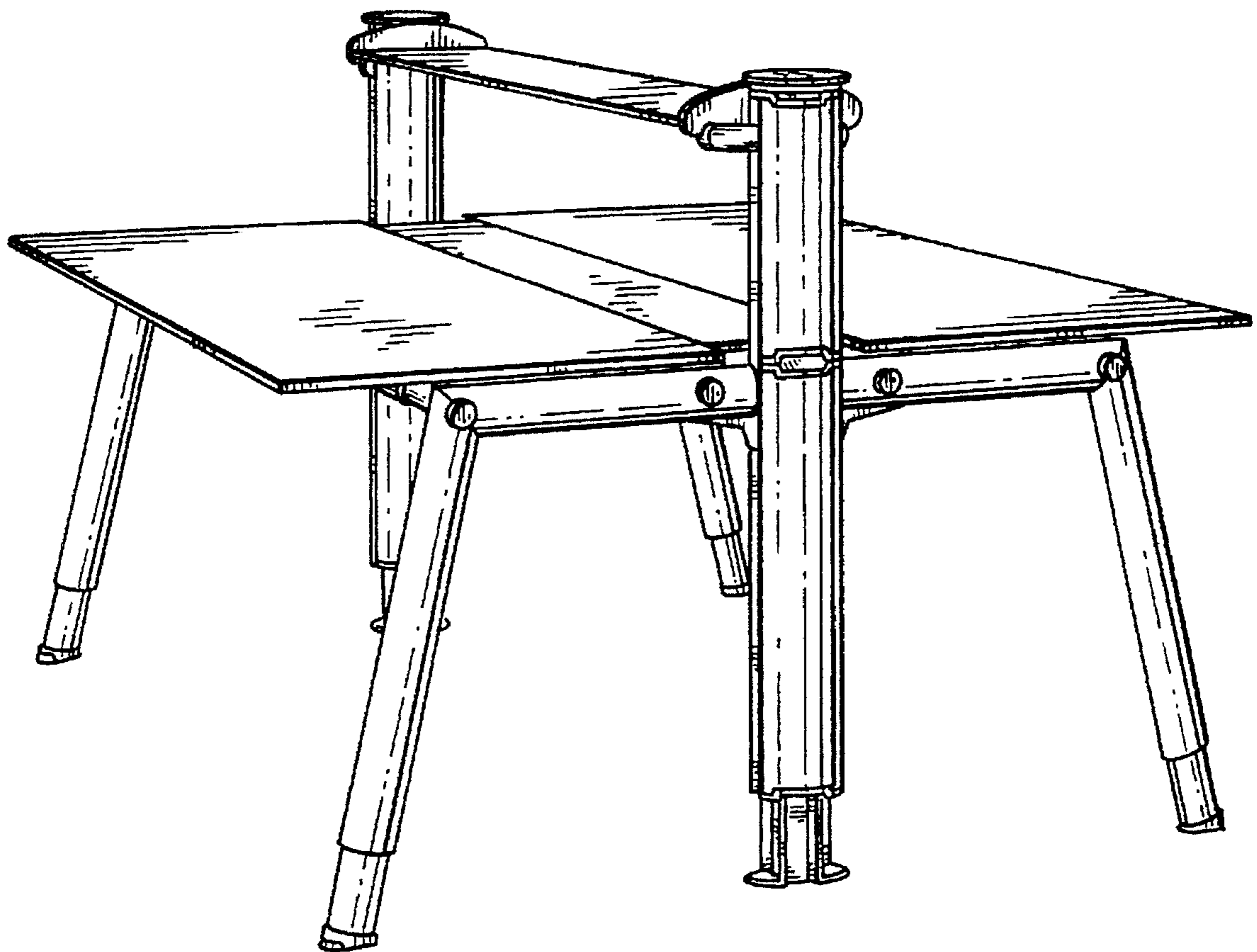


FIG. 1

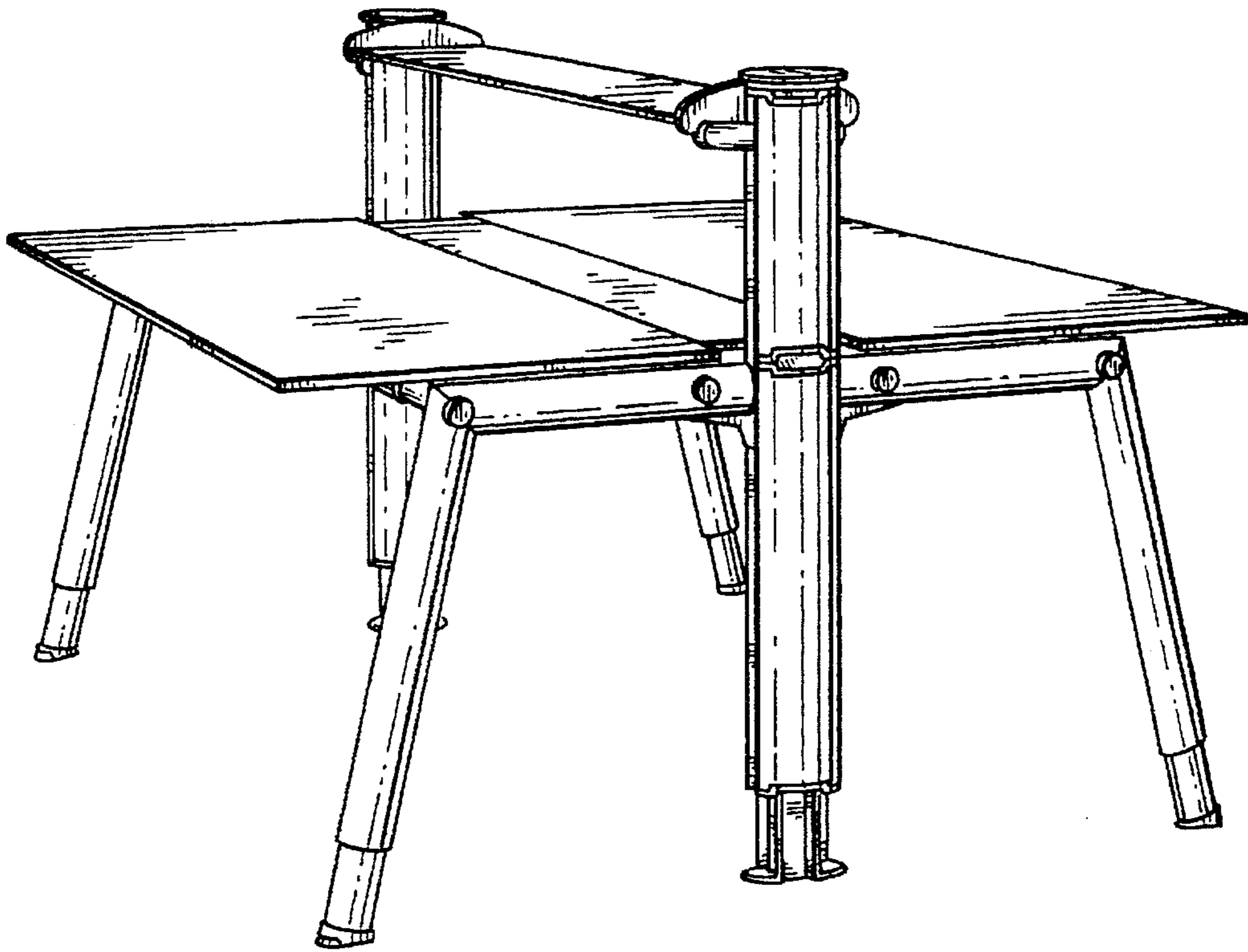
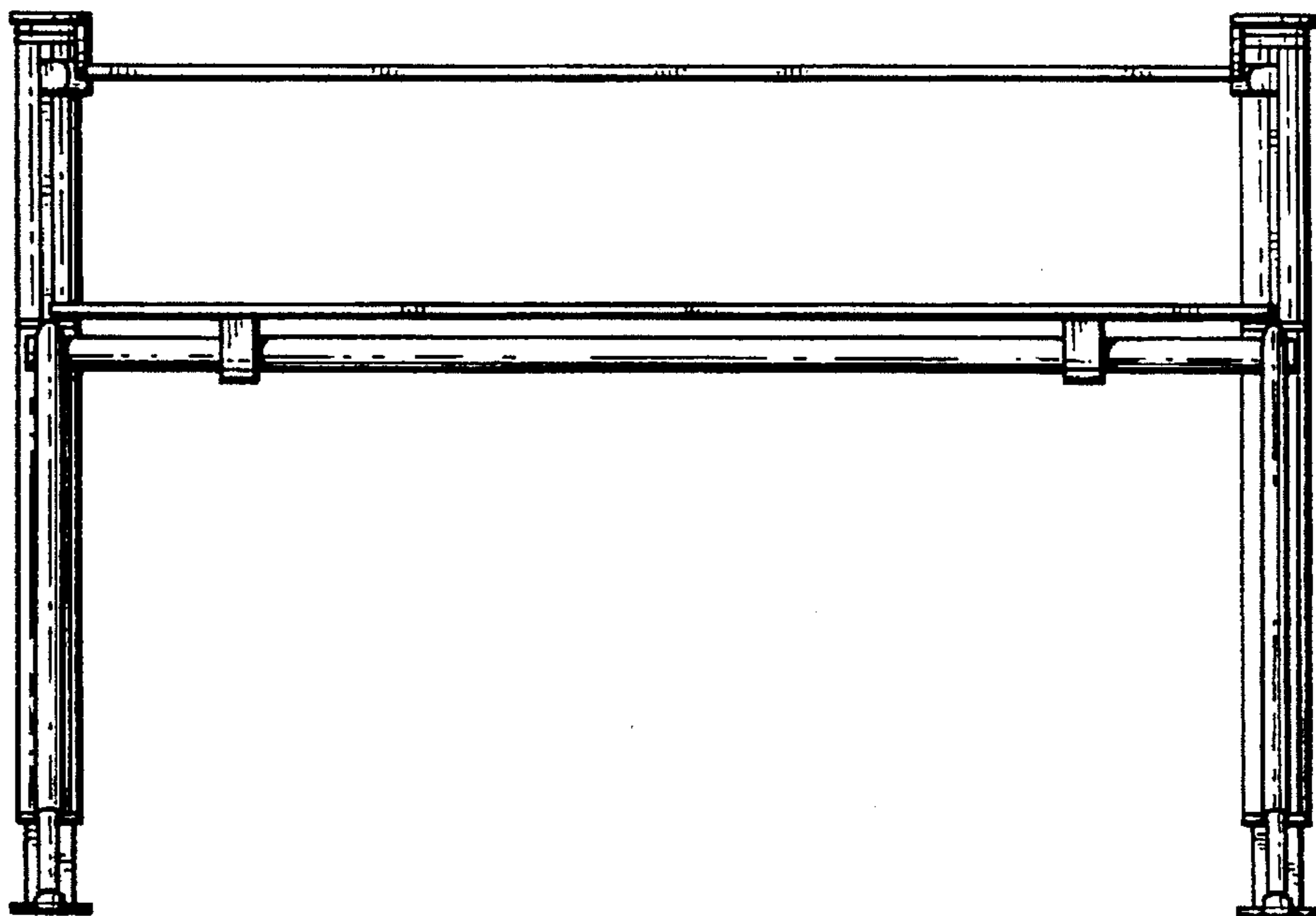


FIG. 2



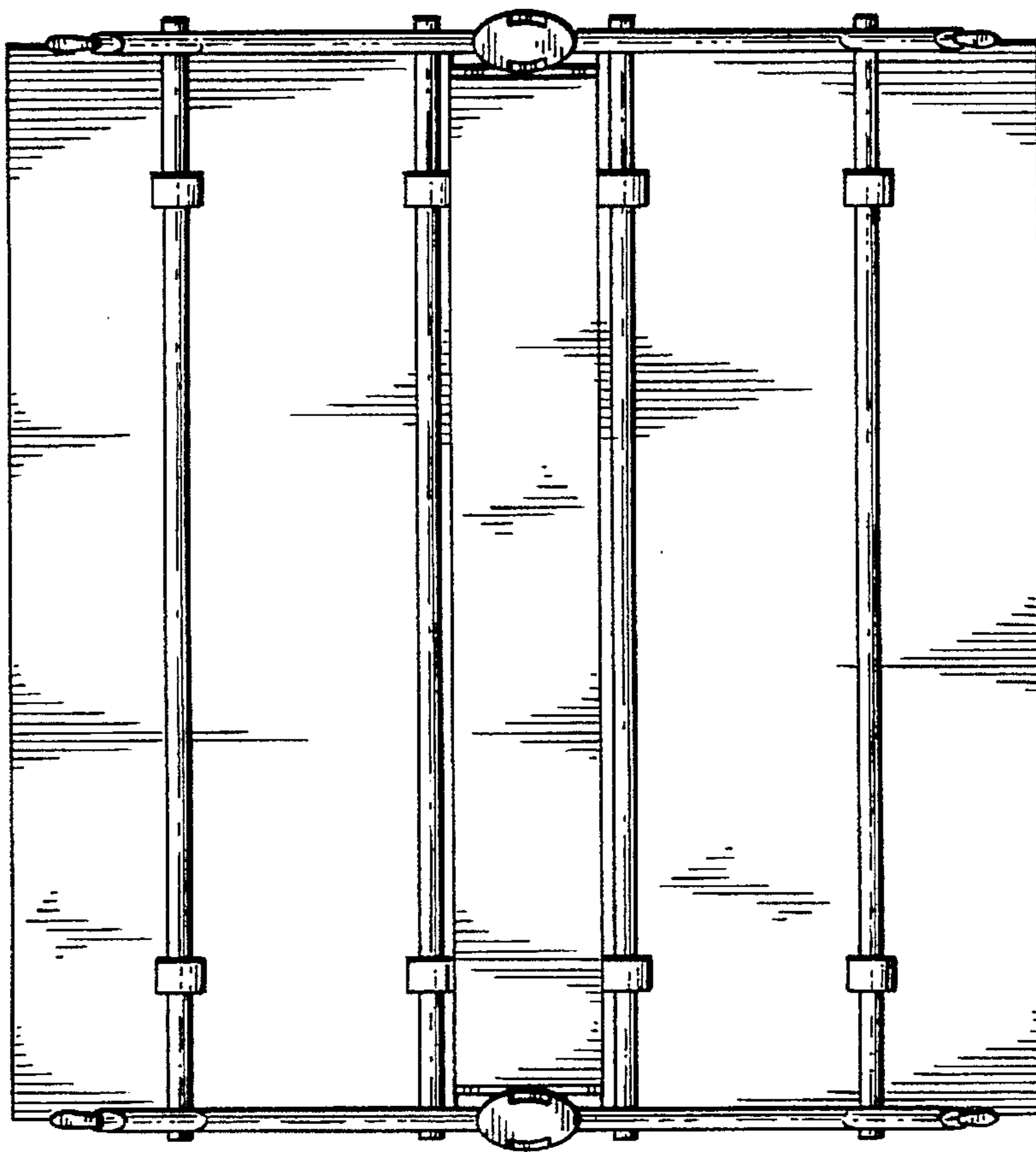


FIG. 4

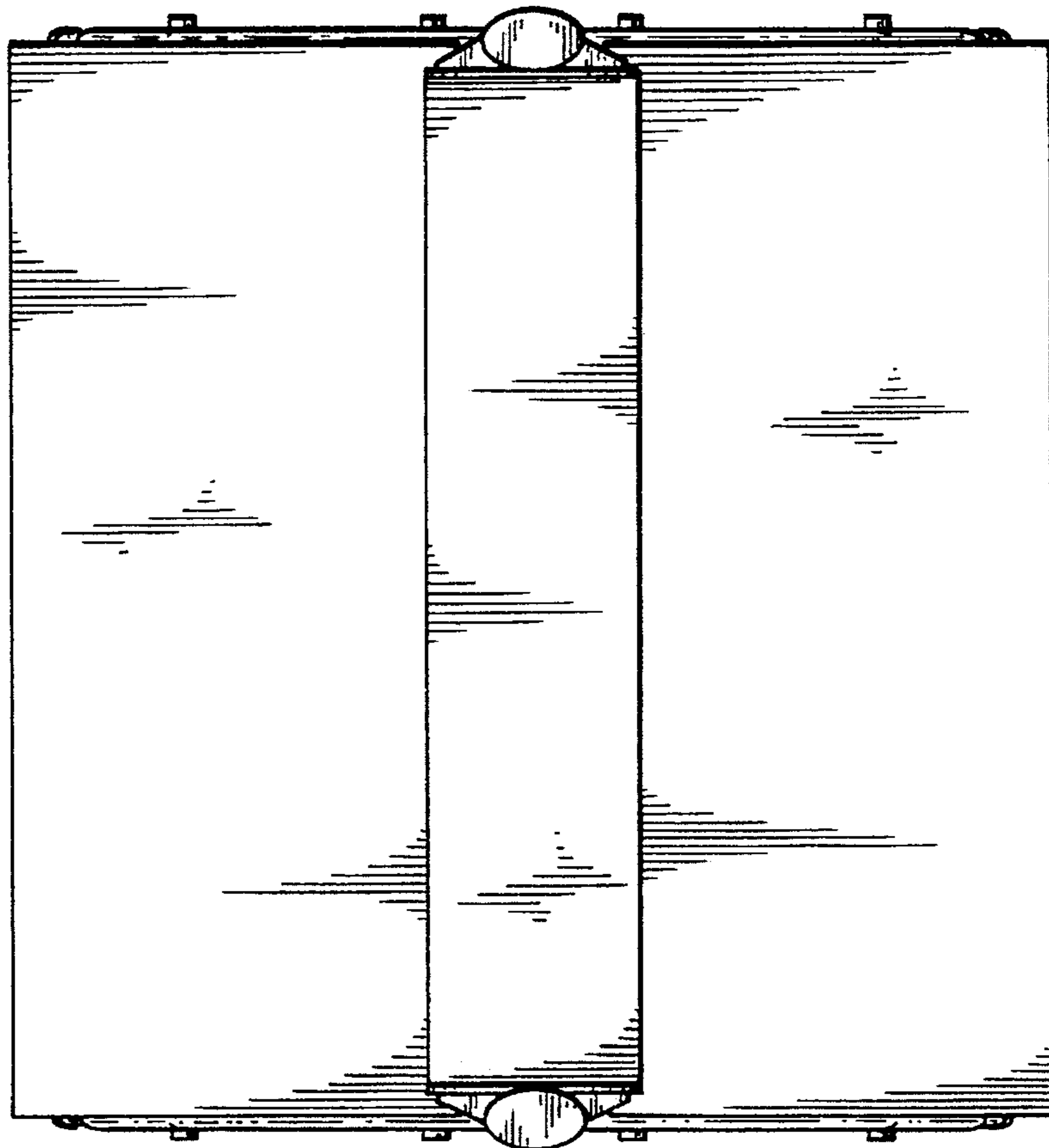


FIG. 3