



US00D379885S

# United States Patent [19] Linder

[11] Patent Number: **Des. 379,885**  
[45] Date of Patent: **\*\*Jun. 17, 1997**

[54] **EQUIPMENT STAND**

1056783 5/1959 Germany ..... 211/186

[75] Inventor: **Steven E. Linder**, Portland, Oreg.  
[73] Assignee: **Anthro Corporation**, Tualatin, Oreg.  
[\*\*] Term: **14 Years**

*Primary Examiner*—James Gandy  
*Assistant Examiner*—Linda Brooks  
*Attorney, Agent, or Firm*—Stoel Rives LLP

[21] Appl. No.: **40,399**  
[22] Filed: **Jun. 16, 1995**

[57] **CLAIM**  
The ornamental design for an equipment stand, as shown and described.

[51] LOC (6) Cl. .... **06-04**  
[52] U.S. Cl. .... **D6/479**  
[58] Field of Search ..... D6/477-479, 465,  
D6/403-405; 108/59, 108, 152, 186, 187;  
211/126, 128, 133, 134, 135

**DESCRIPTION**

[56] **References Cited**

**U.S. PATENT DOCUMENTS**

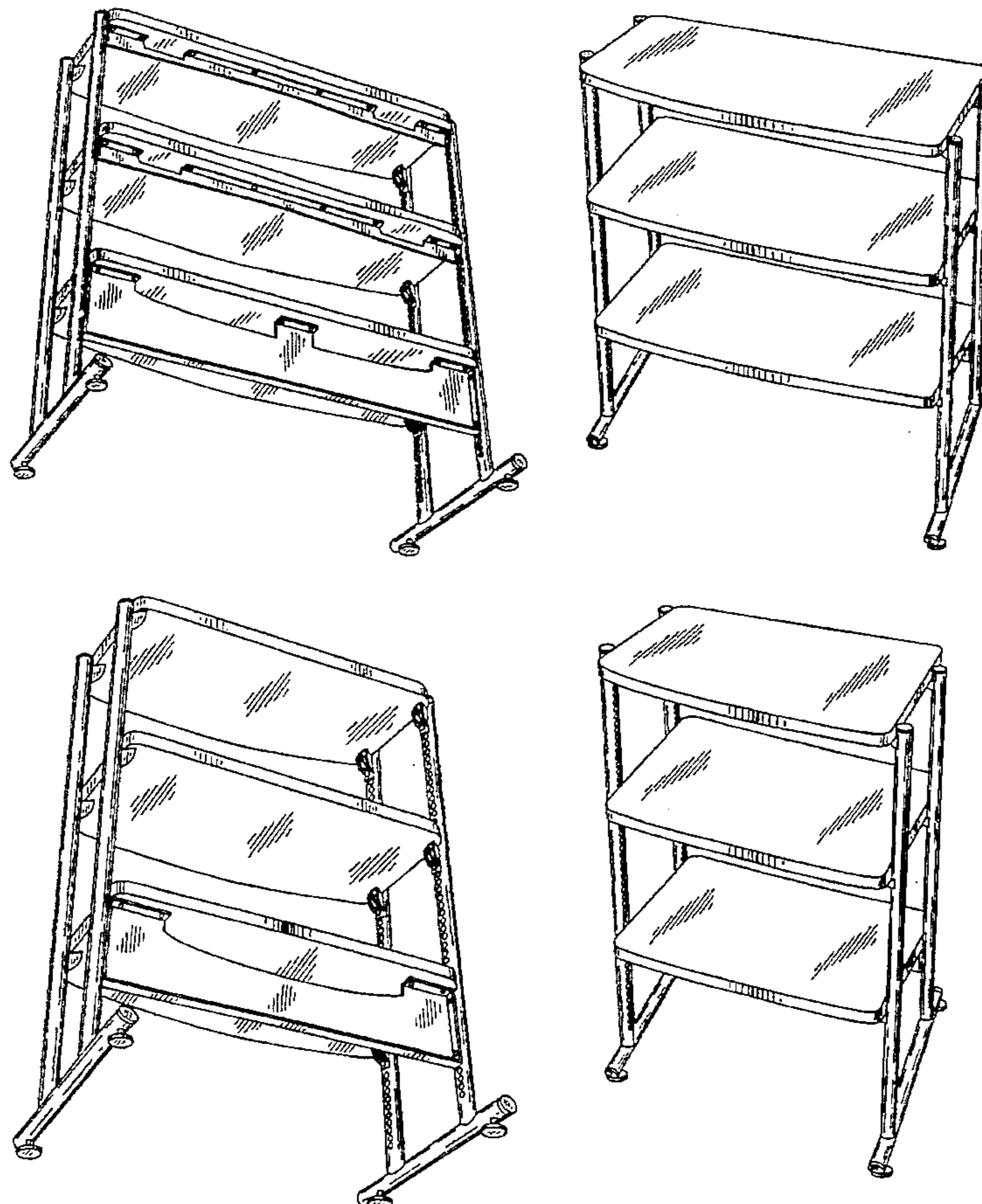
D. 232,062	7/1974	Turdo	.....	D6/403
D. 335,051	4/1993	Ossip	.....	D6/487 X
D. 364,292	11/1995	Good	.....	D6/479
1,109,765	9/1914	Lampert	.....	108/186 X
2,147,759	2/1939	Sulentic	.....	211/128
2,897,973	8/1959	Sizemore	.....	108/59
2,936,078	5/1960	Ziegler	.....	108/59
2,944,780	7/1960	Monk	.....	108/186 X

FIG. 1 is a front elevational view of a first embodiment of an equipment stand according to my new design;  
FIG. 2 is a bottom, rear perspective view of the equipment cart of FIG. 1;  
FIG. 3 is a top, front perspective view of the equipment cart of FIG. 1;  
FIG. 4 is a left side elevational view of the equipment cart of FIG. 1;  
FIG. 5 is a front elevational view of a second embodiment of an equipment cart according to my new design;  
FIG. 6 is a bottom, rear perspective view of the equipment cart of FIG. 5;  
FIG. 7 is a top, front perspective view of the equipment cart of FIG. 5; and,  
FIG. 8 is a left side elevational view of the equipment cart of FIG. 5.

**FOREIGN PATENT DOCUMENTS**

1155329 4/1958 France ..... 211/134

**1 Claim, 2 Drawing Sheets**



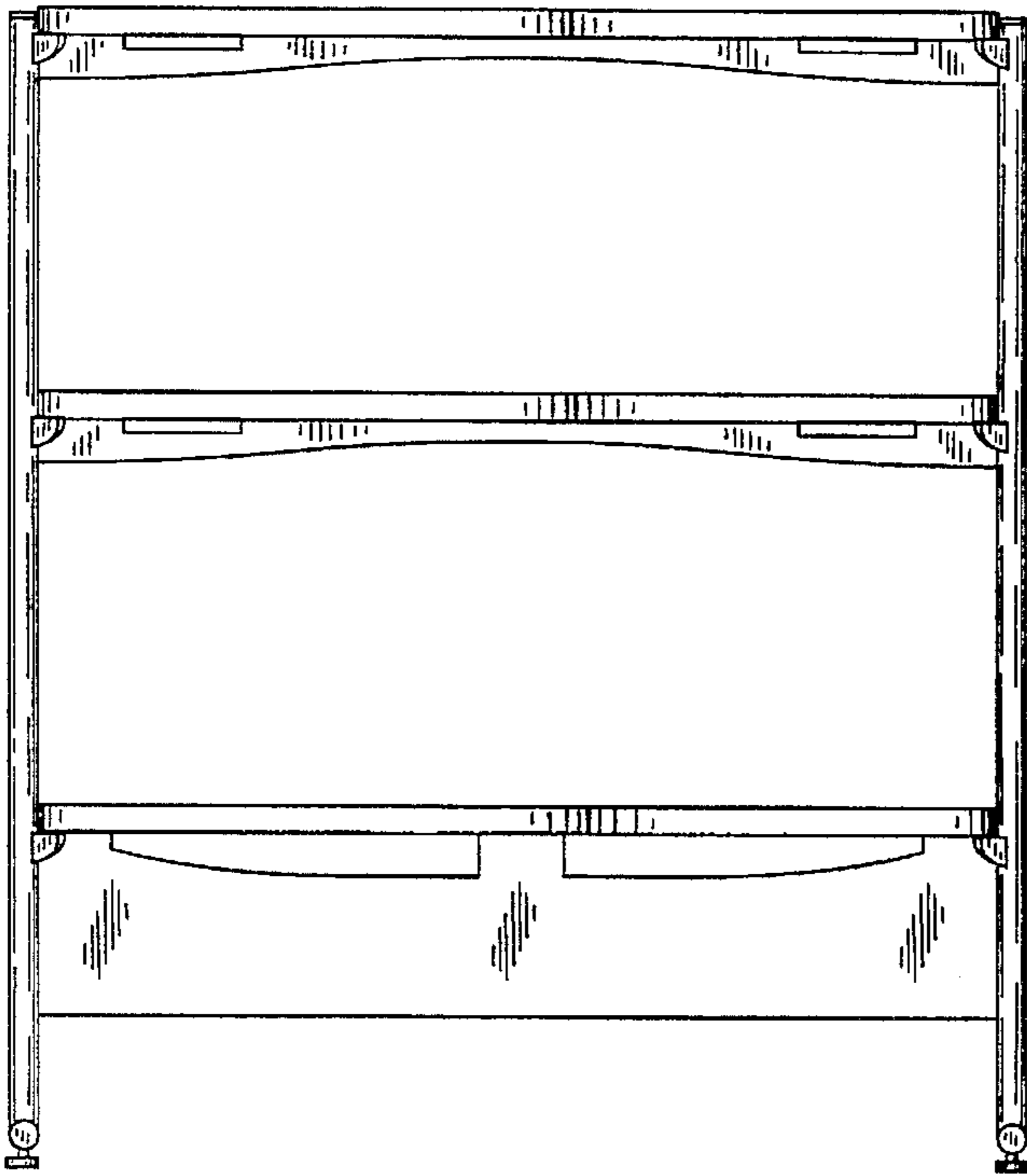


FIG. 1

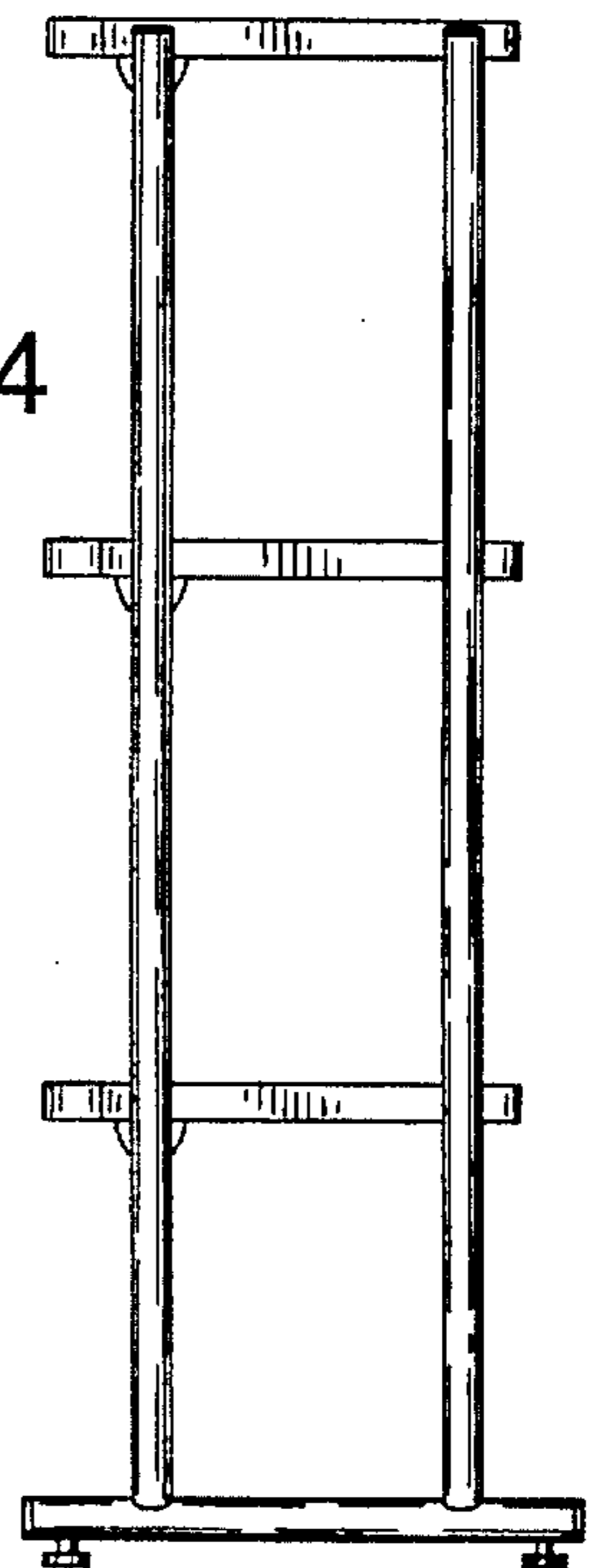


FIG. 4

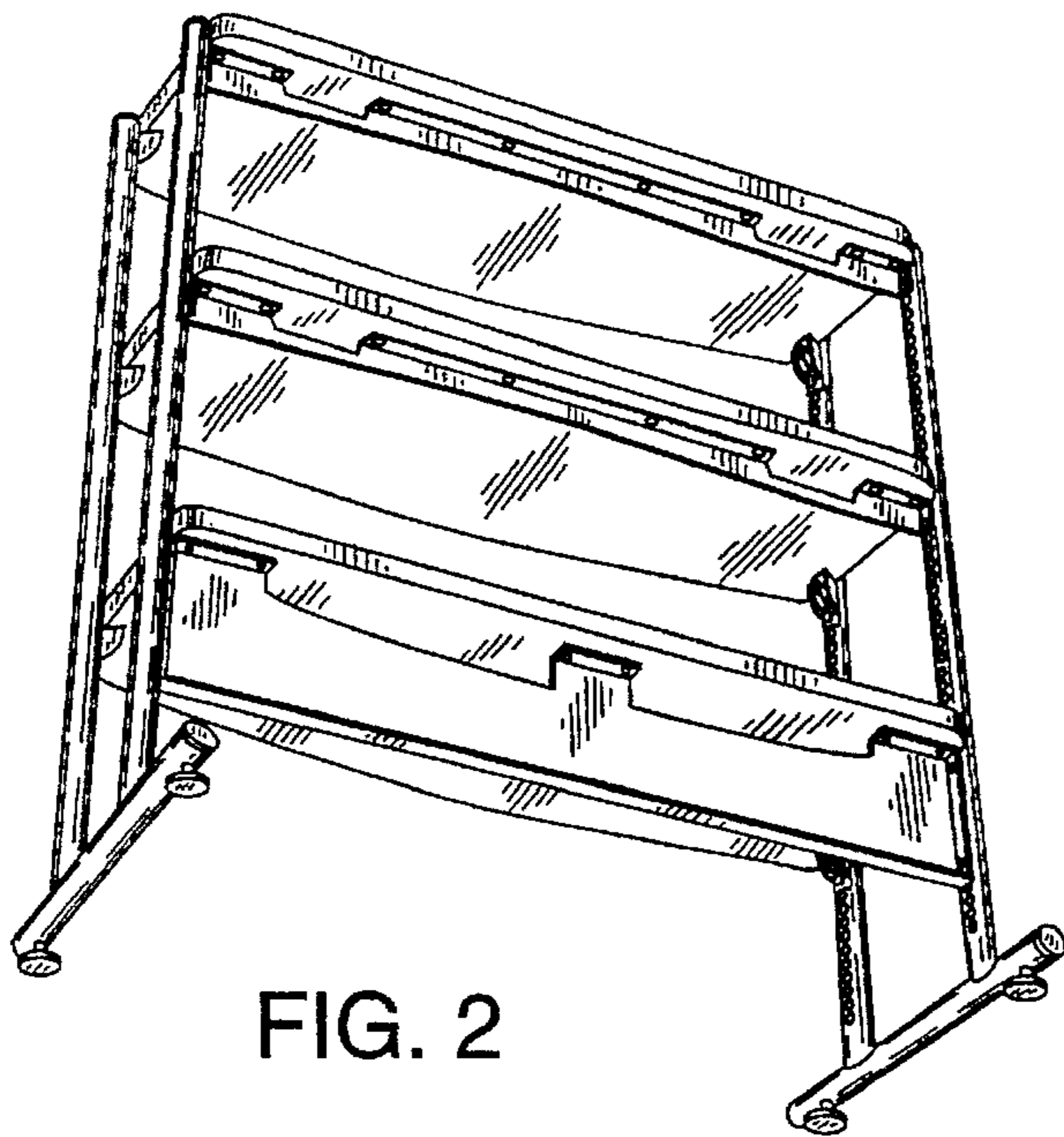


FIG. 2

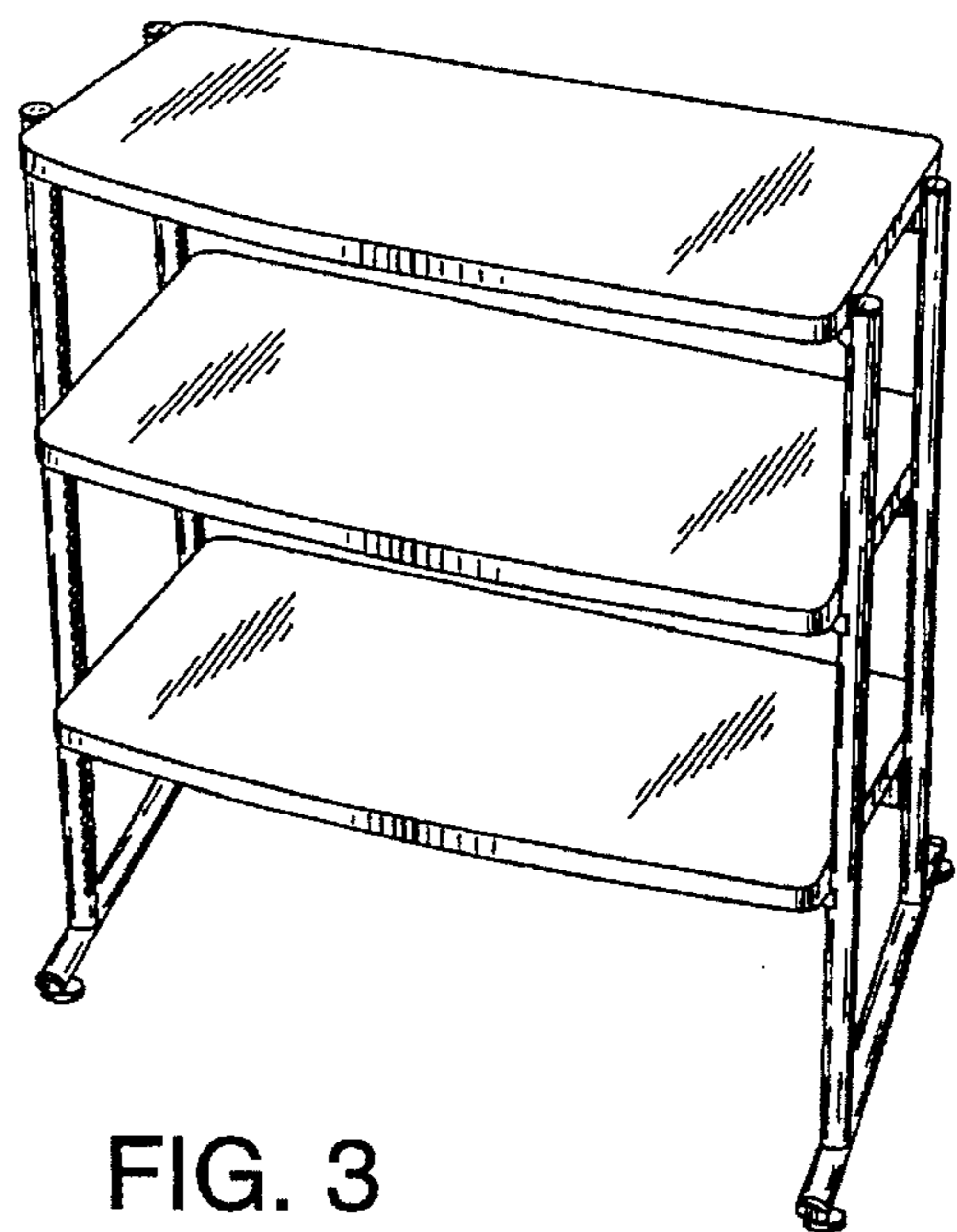


FIG. 3



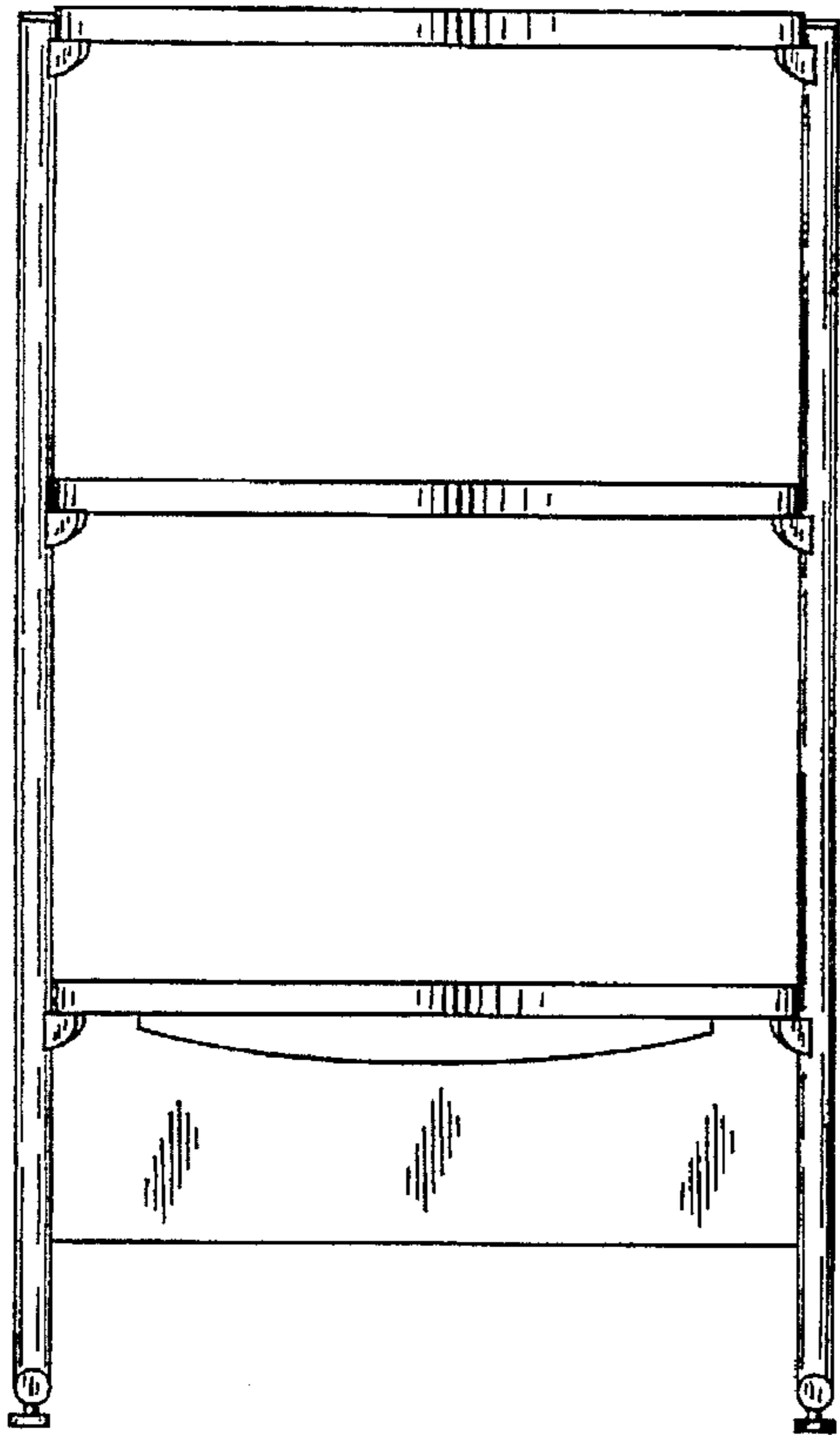


FIG. 5

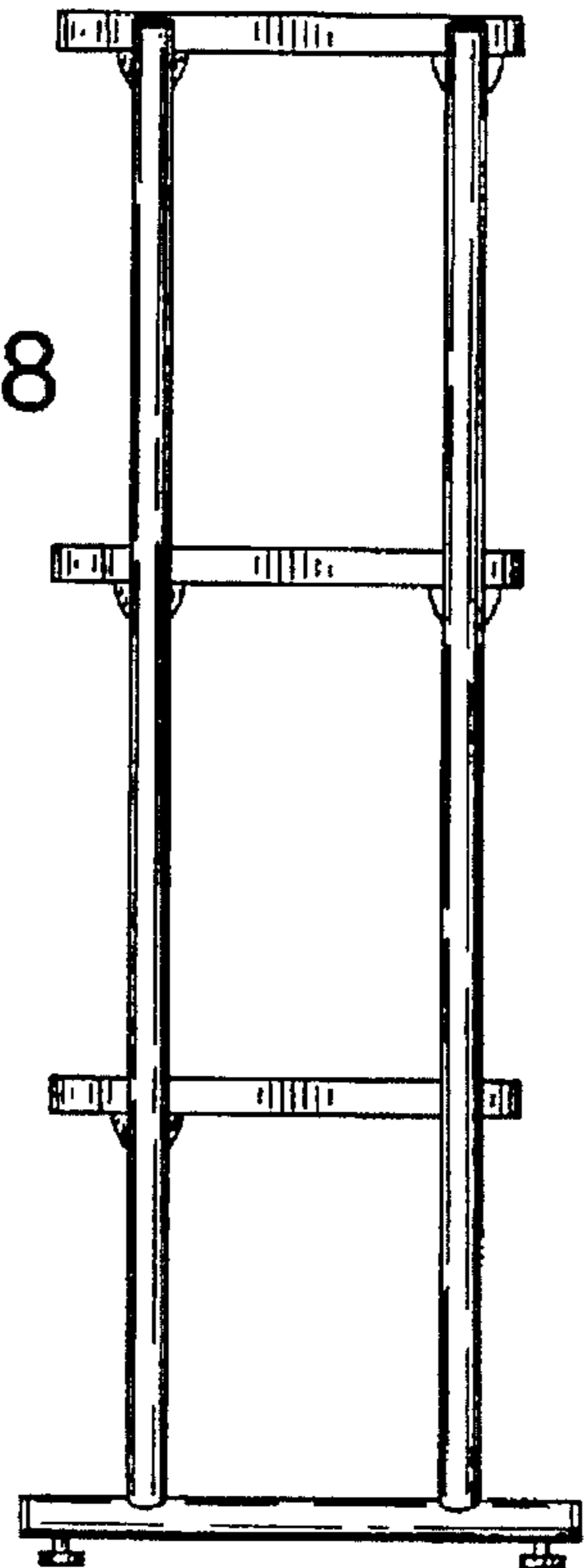


FIG. 8

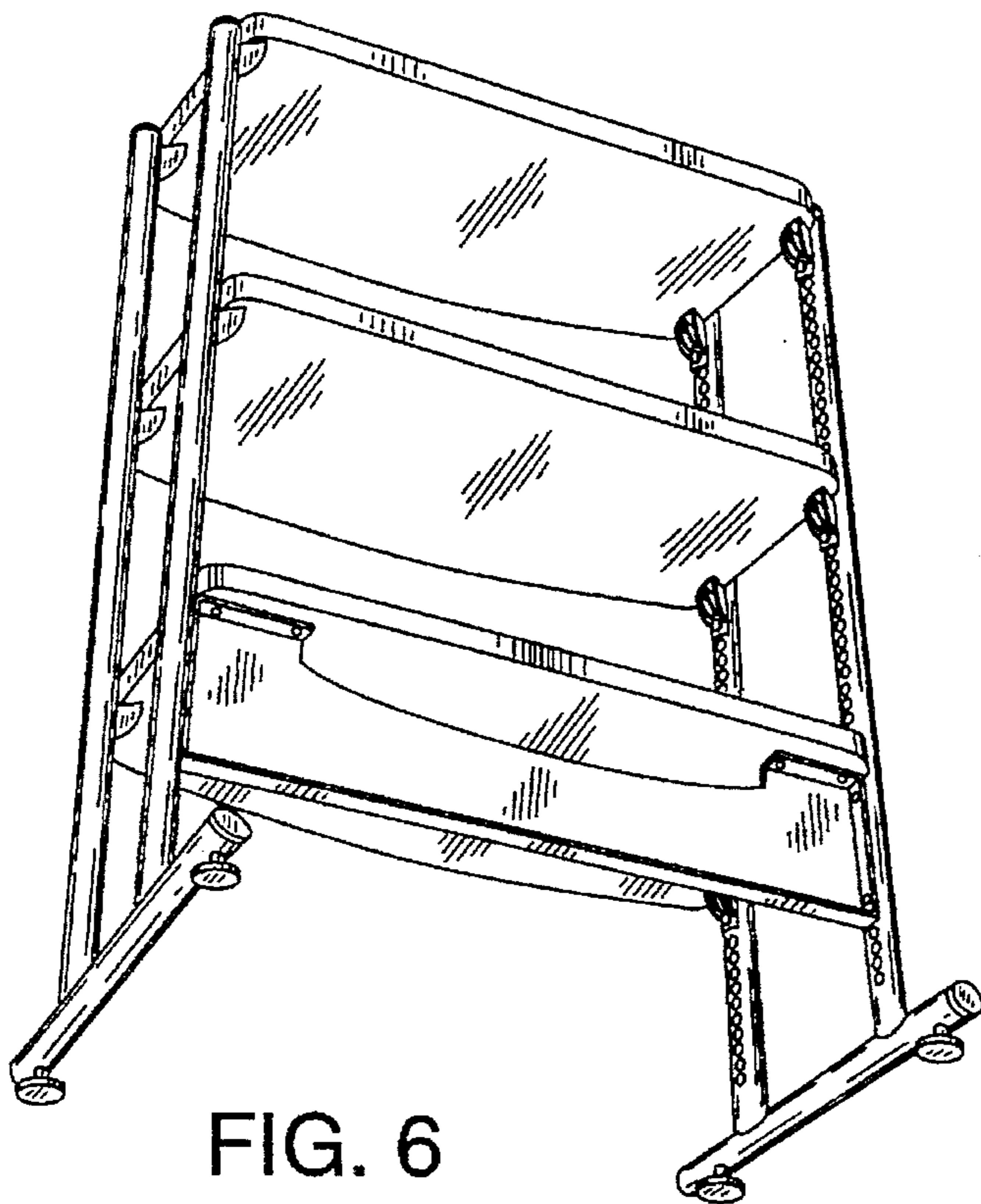


FIG. 6

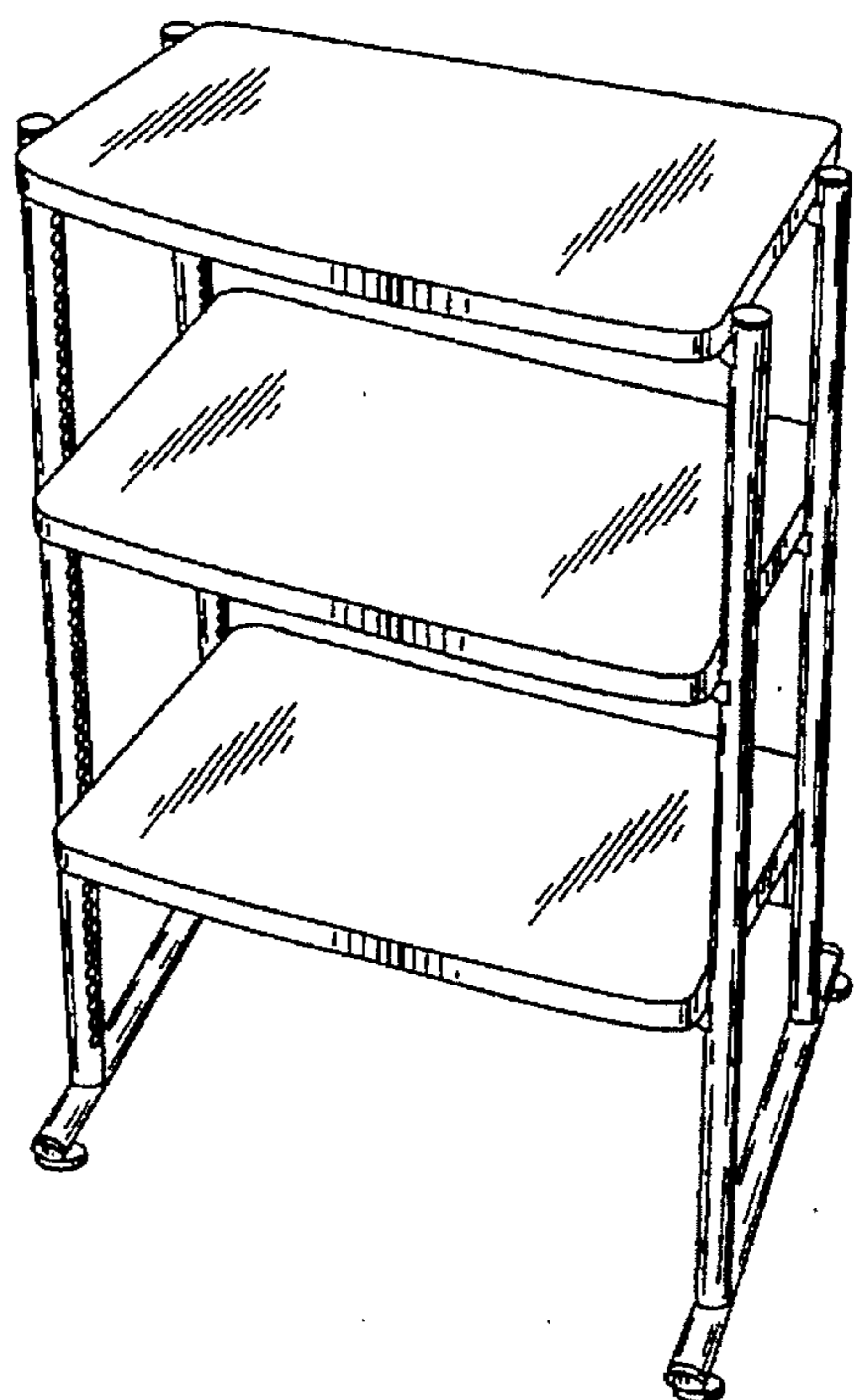


FIG. 7