



US00D379883S

United States Patent [19]
Goodwin et al.

[11] **Patent Number: Des. 379,883**
[45] **Date of Patent: **Jun. 17, 1997**

[54] **DISPLAY CASE**

[75] Inventors: **David Malcom Goodwin**, Pyrford;
Nicholas Mernor Hamnett, Epsom,
both of England

[73] Assignee: **Parker Pen Products**, Iselworth,
England

[**] Term: **14 Years**

[21] Appl. No.: **31,974**

[22] Filed: **Dec. 9, 1994**

[30] **Foreign Application Priority Data**

Jun. 27, 1994 [GB] United Kingdom 2039957

[51] LOC (6) Cl. **20-02**

[52] U.S. Cl. **D6/470**

[58] Field of Search D6/470, 471, 473,
D6/474, 436, 396, 399, 450, 449, 451,
419; 312/138.1, 114, 204, 116

[56] **References Cited**

U.S. PATENT DOCUMENTS

3,697,147 10/1972 Schulte 312/114 X
5,125,726 6/1992 Hahn et al. 312/204 X

Primary Examiner—B. J. Bullock
Assistant Examiner—Linda Brooks

Attorney, Agent, or Firm—Paul I. Douglas

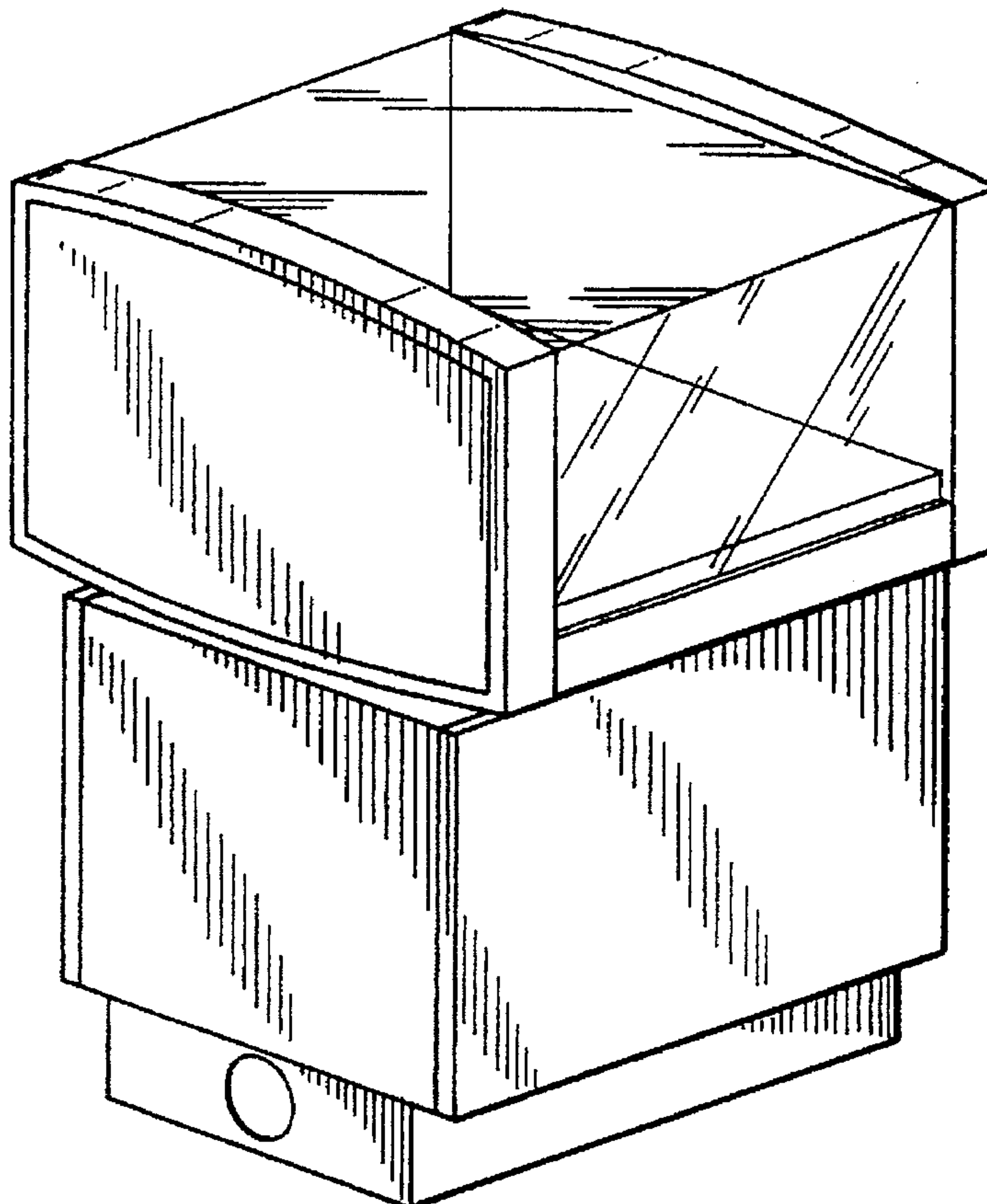
[57] **CLAIM**

The ornamental design for a display case, as shown and described.

DESCRIPTION

FIG. 1 is a front isometric view of a display case showing our new design;
FIG. 2 is a front elevational view;
FIG. 3 is a rear elevational view;
FIG. 4 is a left side elevational view thereof;
FIG. 5 is a right side elevational view thereof;
FIG. 6 is a top plan view thereof;
FIG. 7 is a front isometric view of an alternative embodiment of our new design;
FIG. 8 is a front elevational view;
FIG. 9 is a rear elevational view;
FIG. 10 is a top plan view thereof;
FIG. 11 is a left side elevational view thereof;
FIG. 12 is a right side elevational view thereof;
FIG. 13 is a front isometric view of an alternative embodiment of a display case showing our new design;
FIG. 14 is a front elevational view thereof;
FIG. 15 is a rear elevational view thereof;
FIG. 16 is a top plan view thereof;
FIG. 17 is a right side elevational view thereof; and,
FIG. 18 is a left side elevational view thereof.

1 Claim, 9 Drawing Sheets



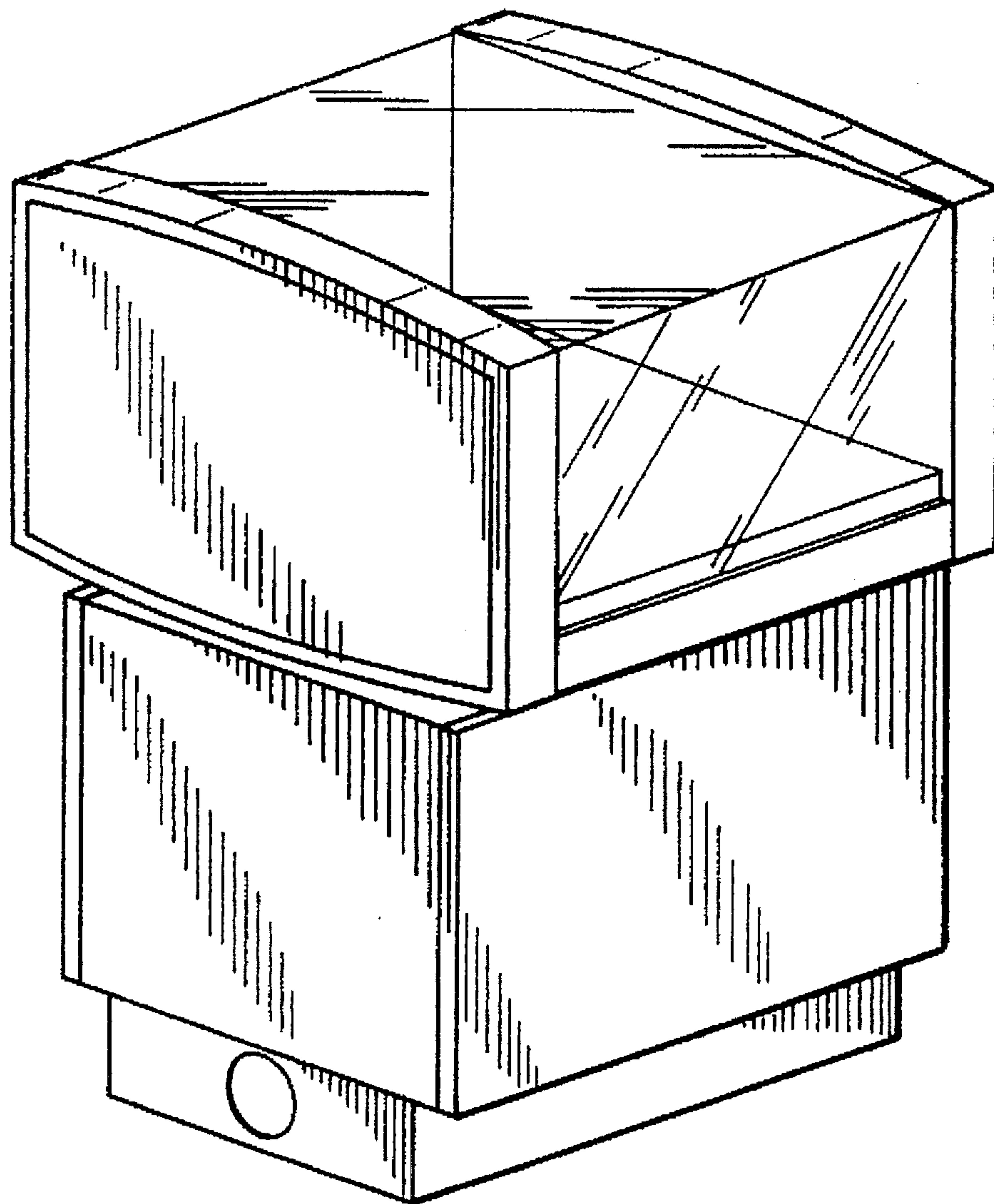


FIG. 1

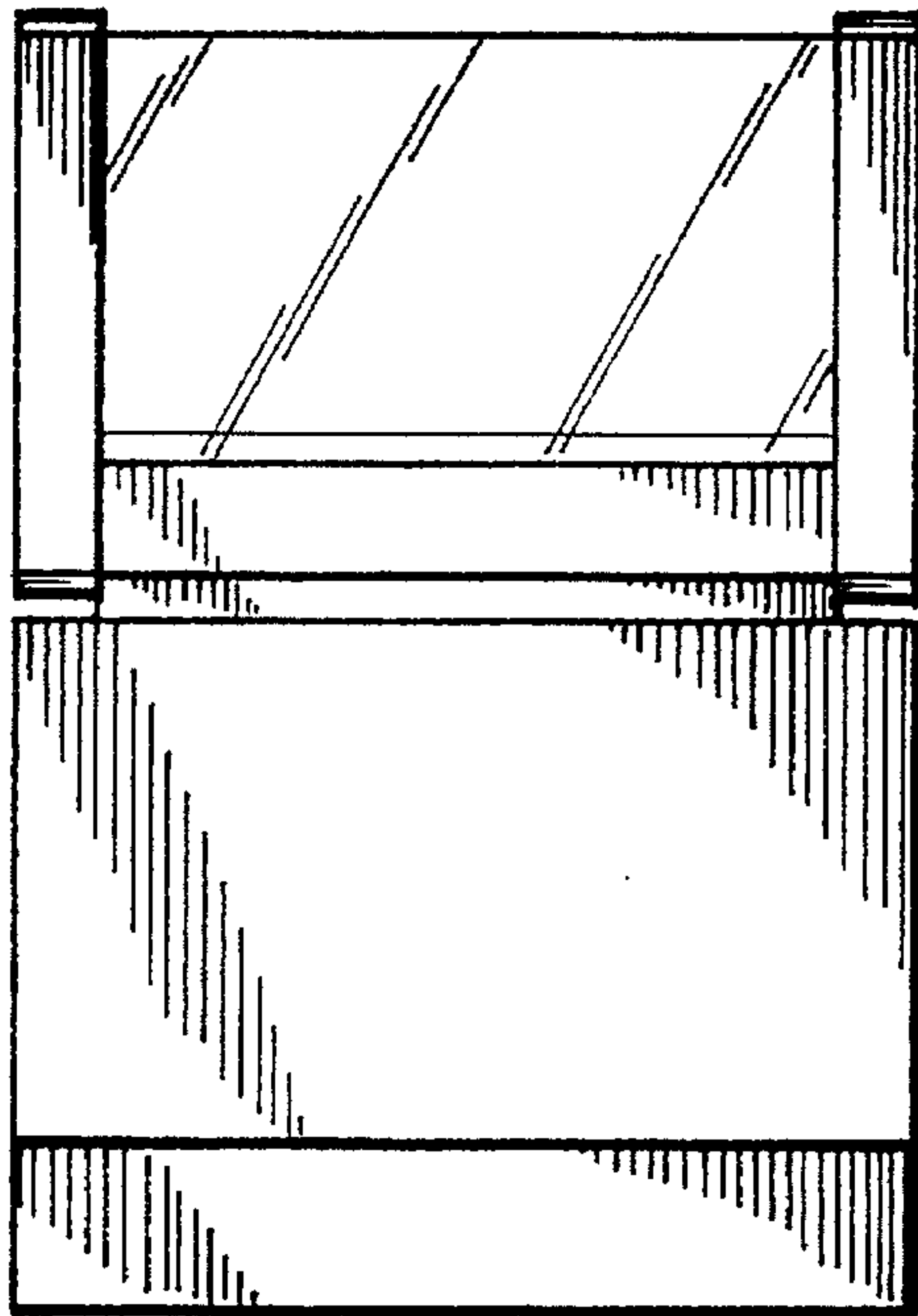


FIG. 2

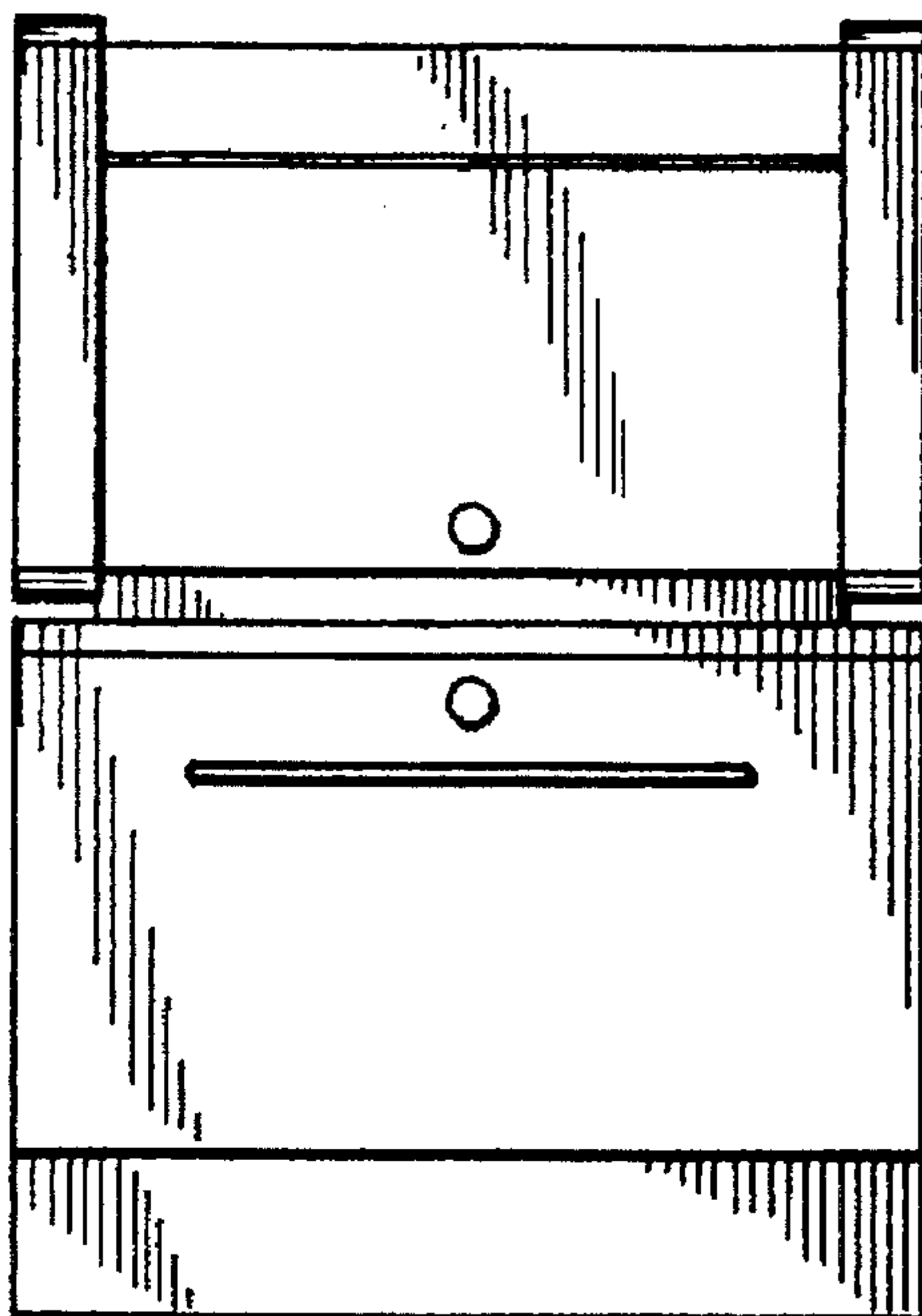


FIG. 3

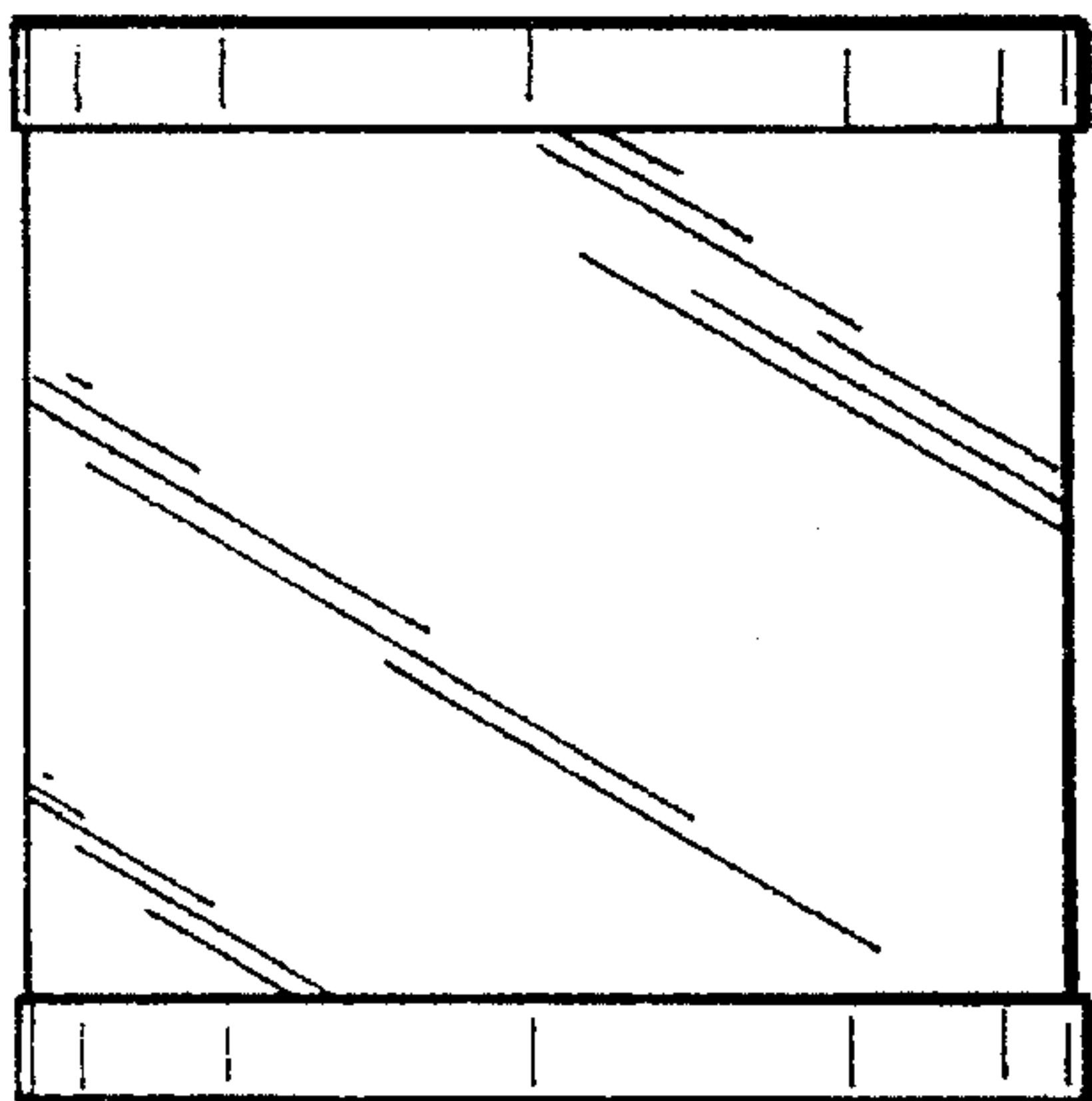


FIG. 6

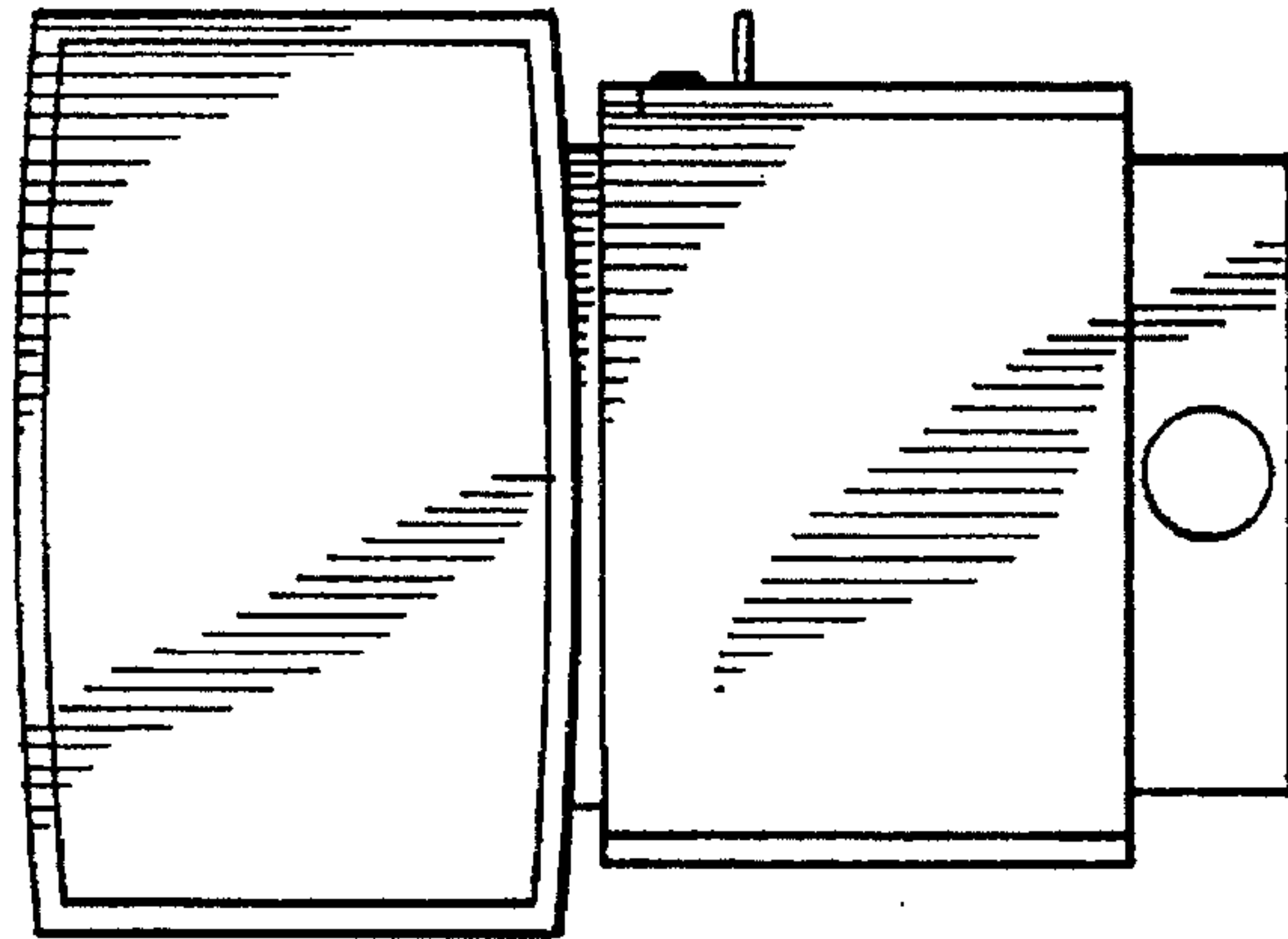


FIG. 5

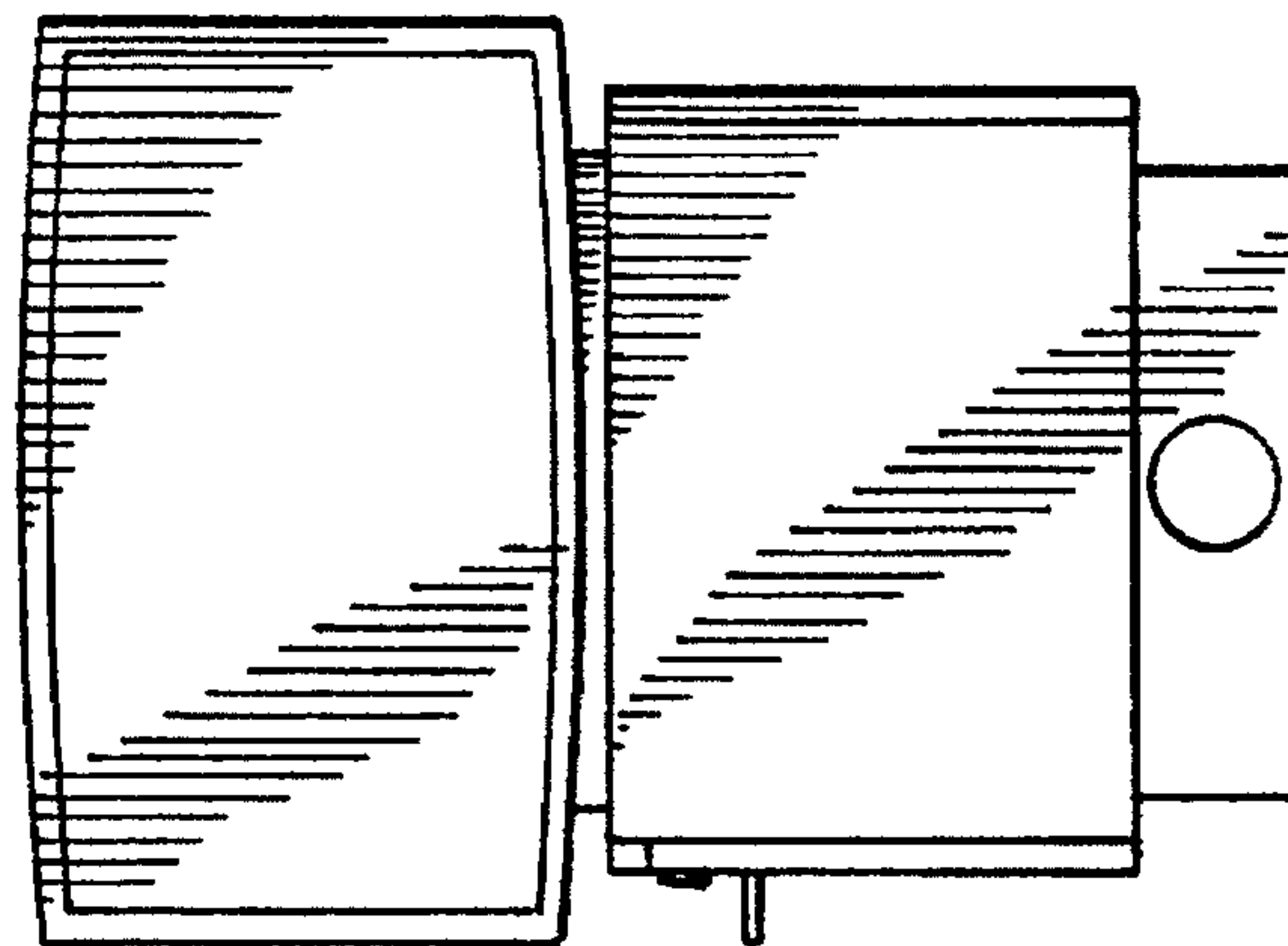


FIG. 4

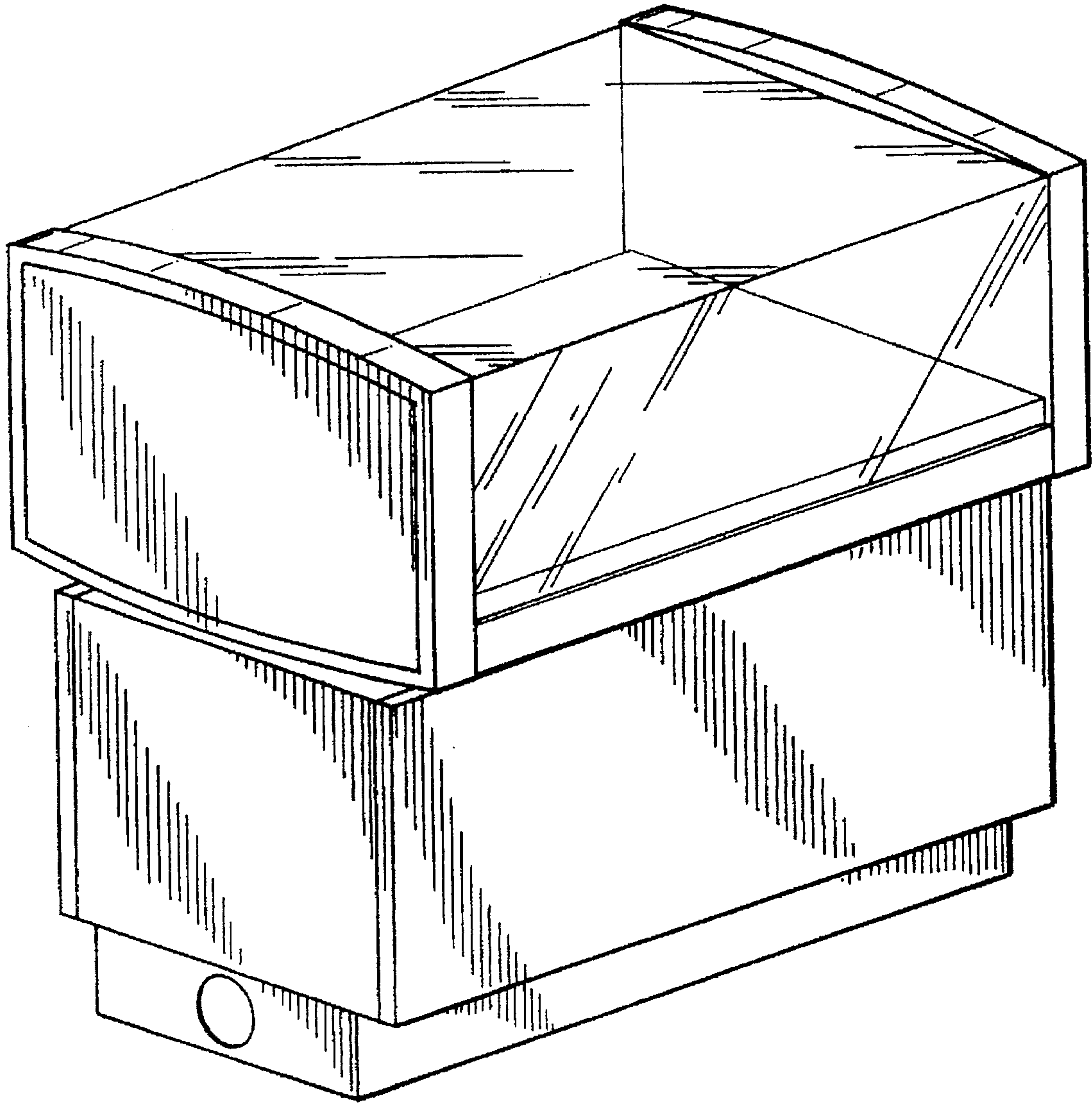


FIG. 7

FIG. 10

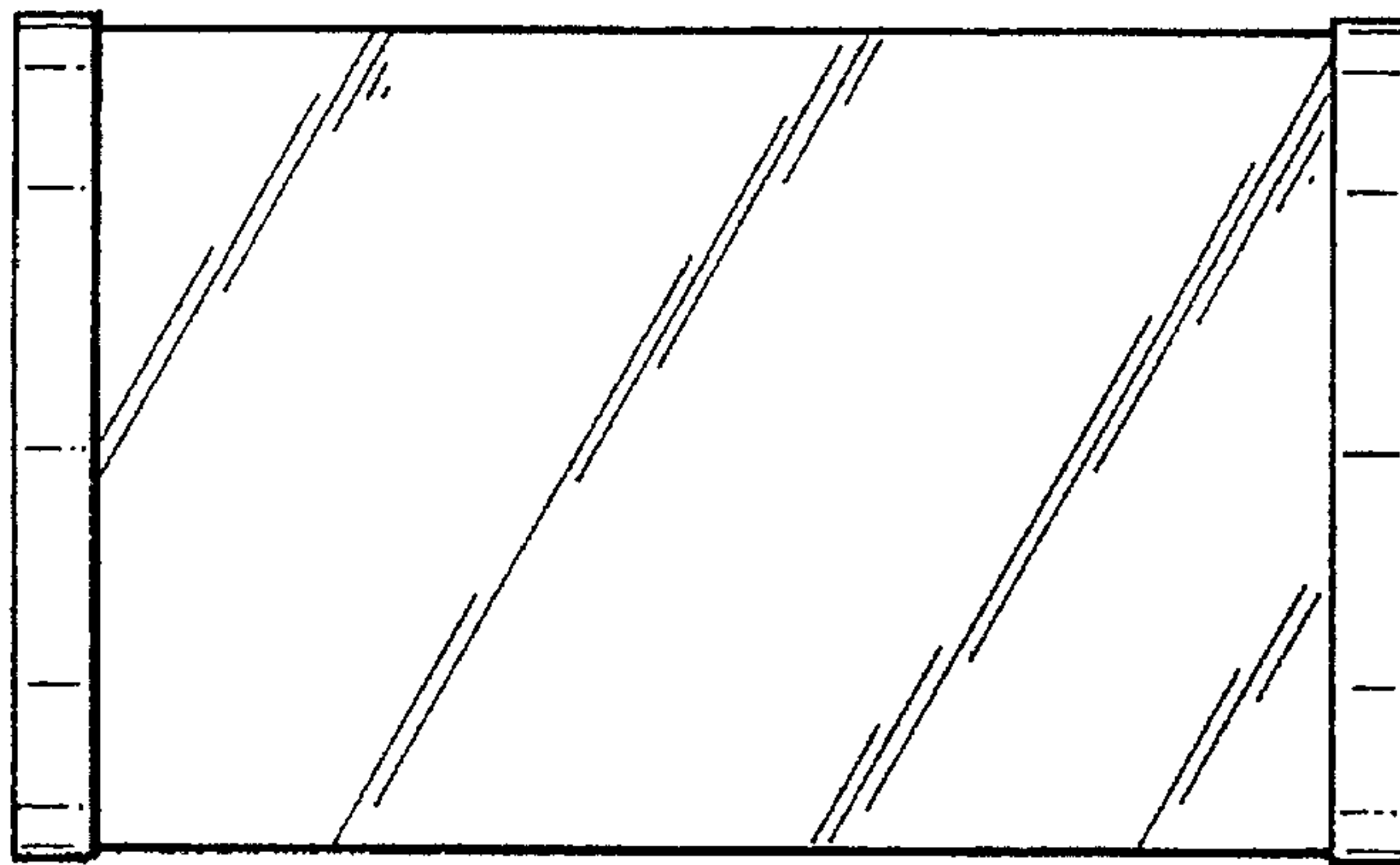


FIG. 8

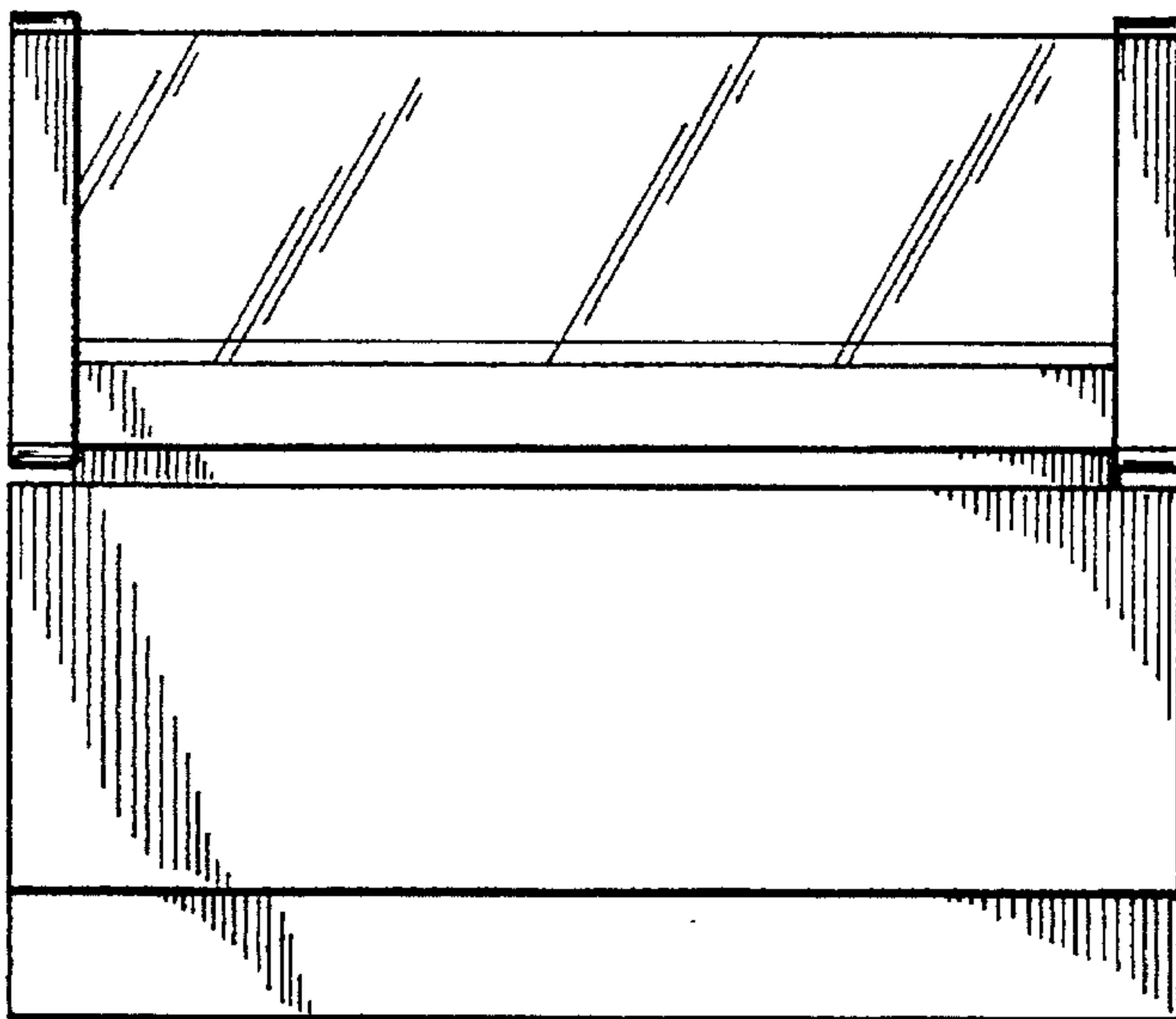
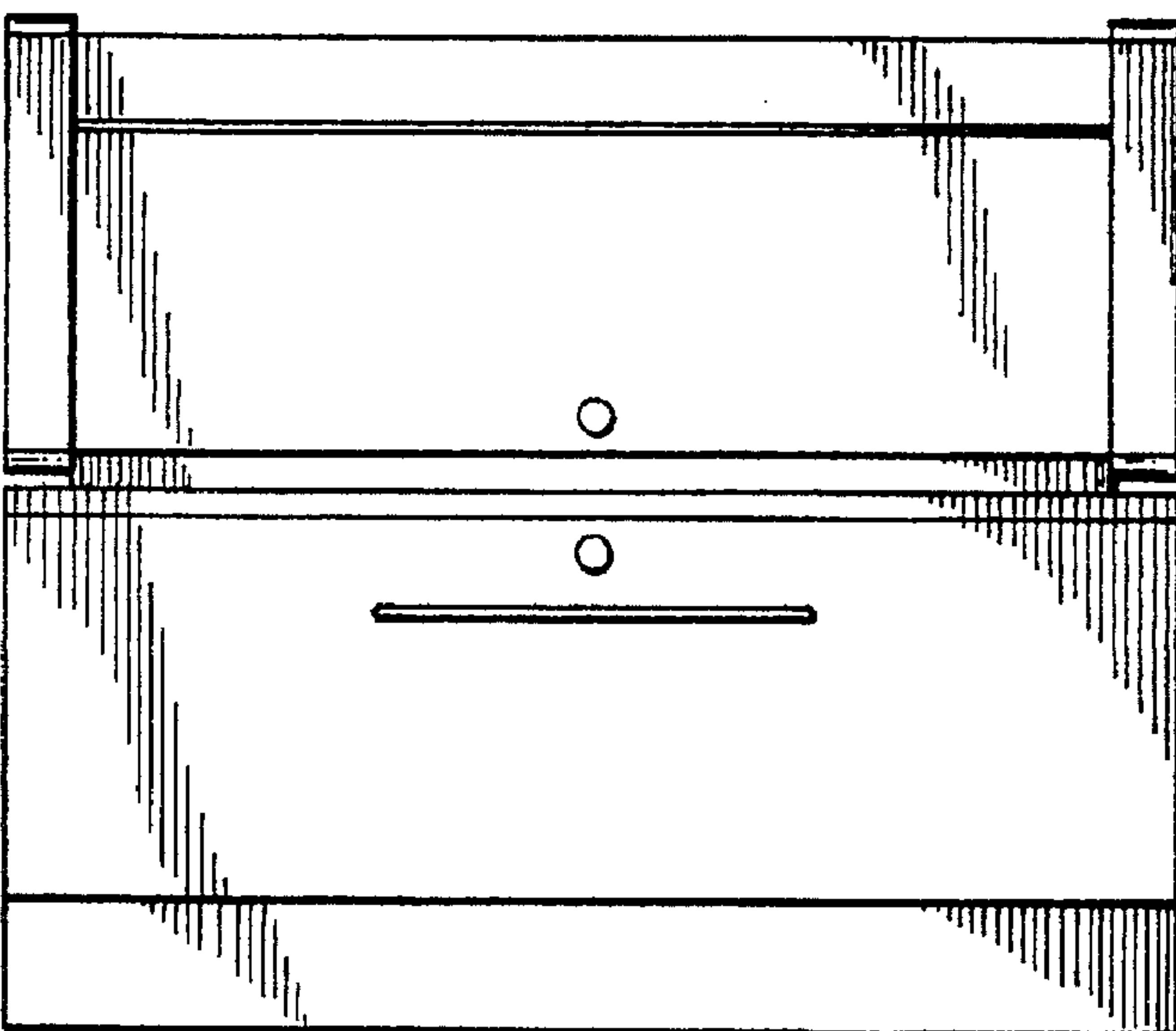


FIG. 9



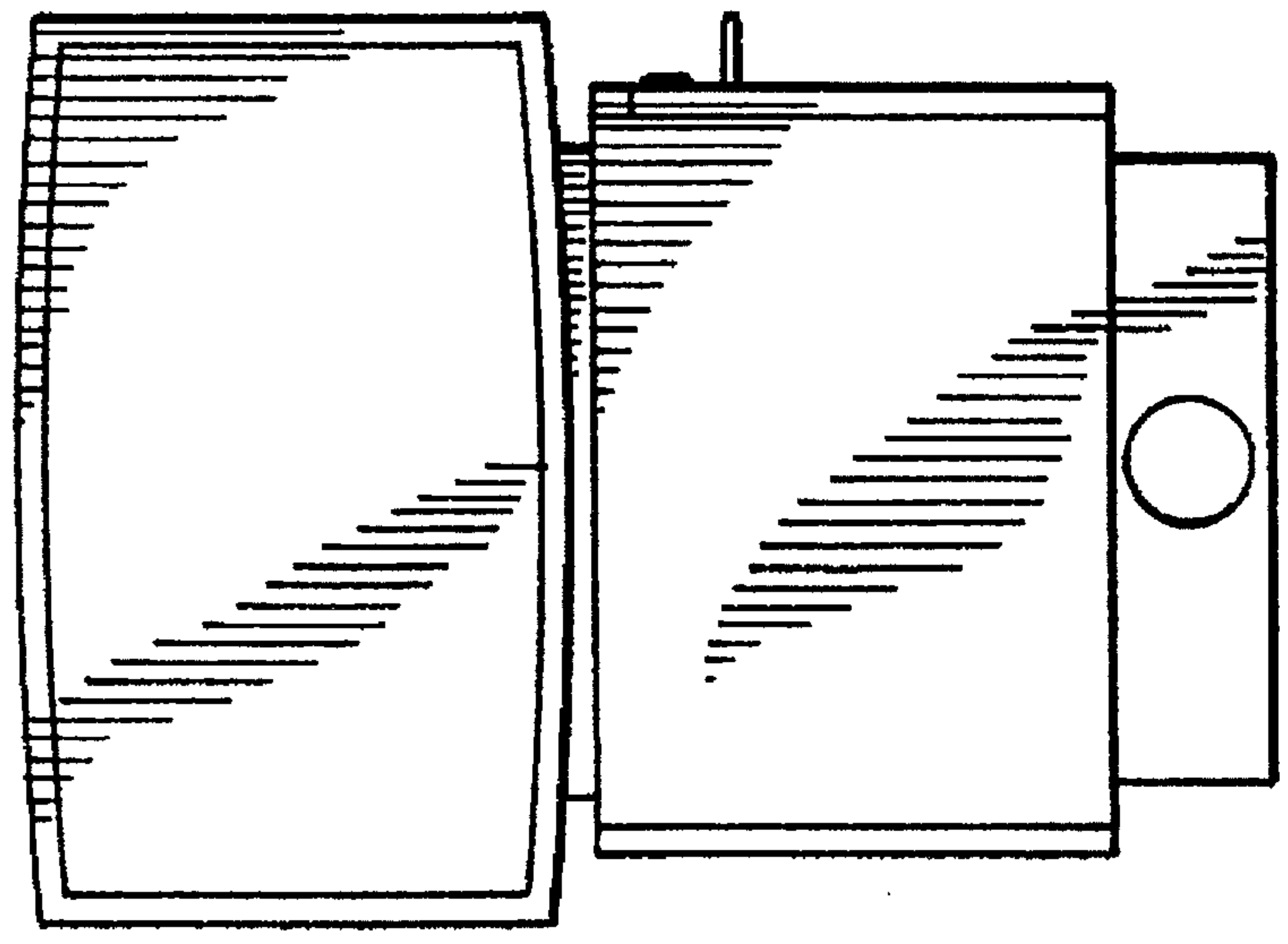


FIG. 11

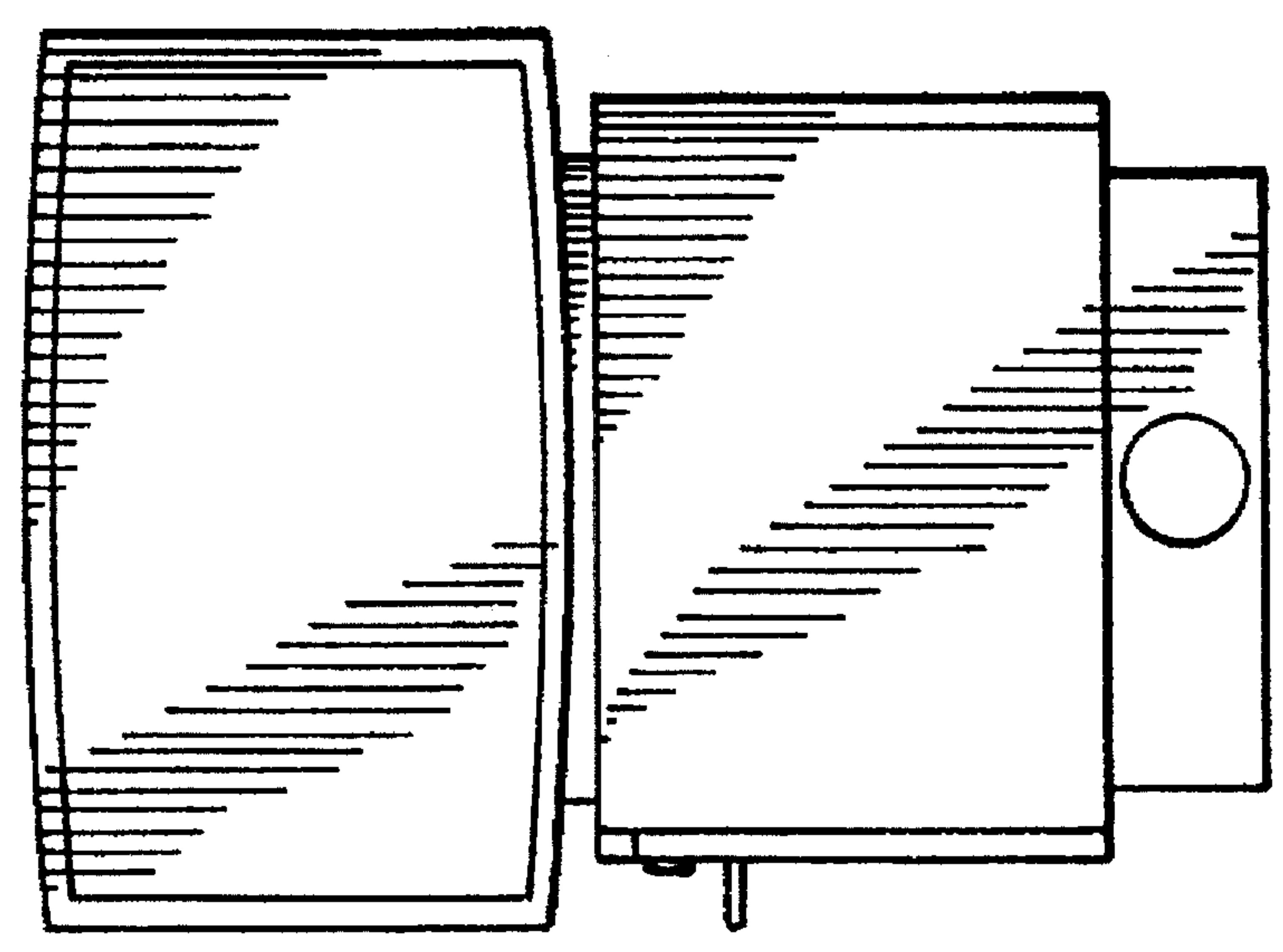


FIG. 12

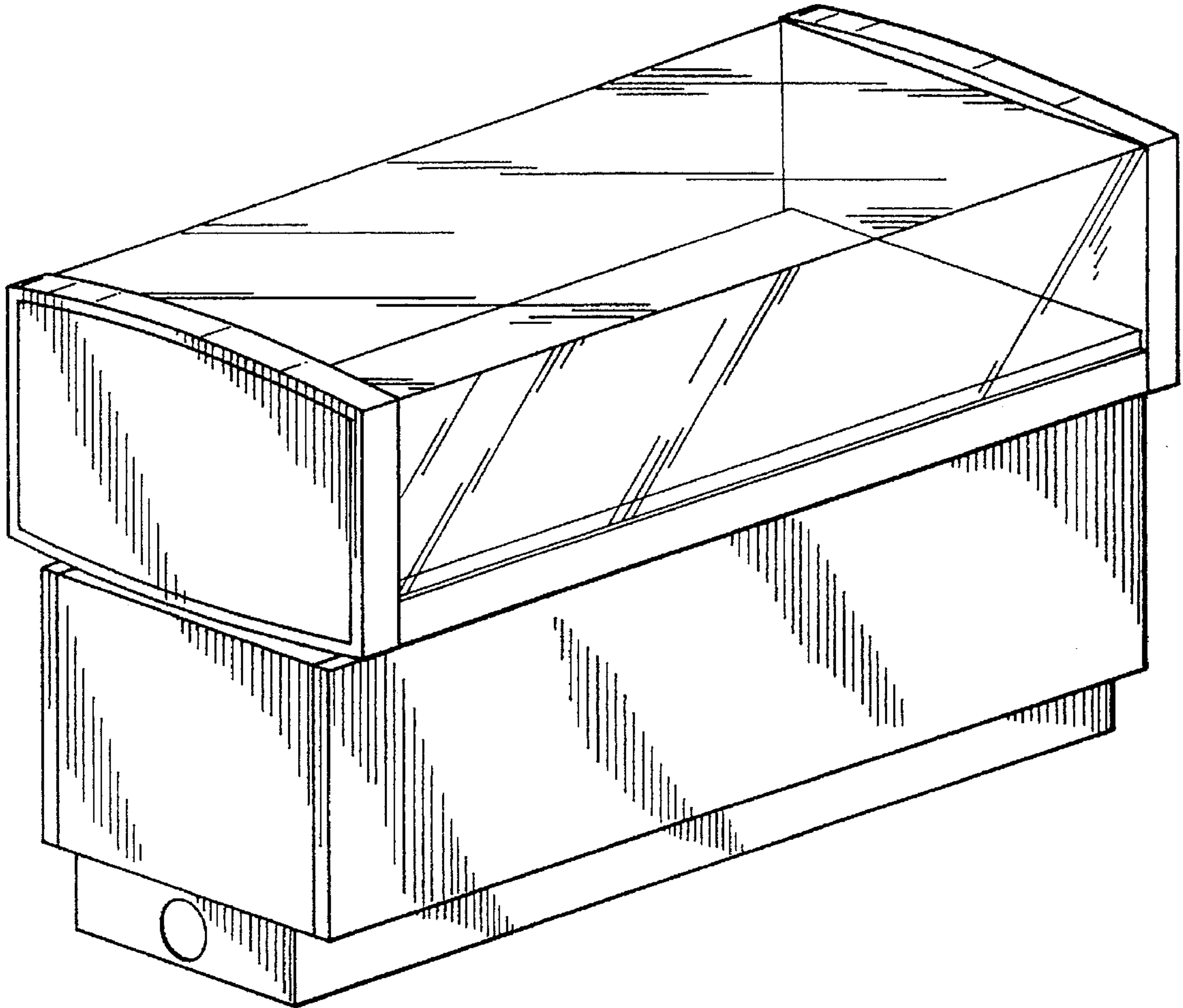


FIG. 13

FIG. 16

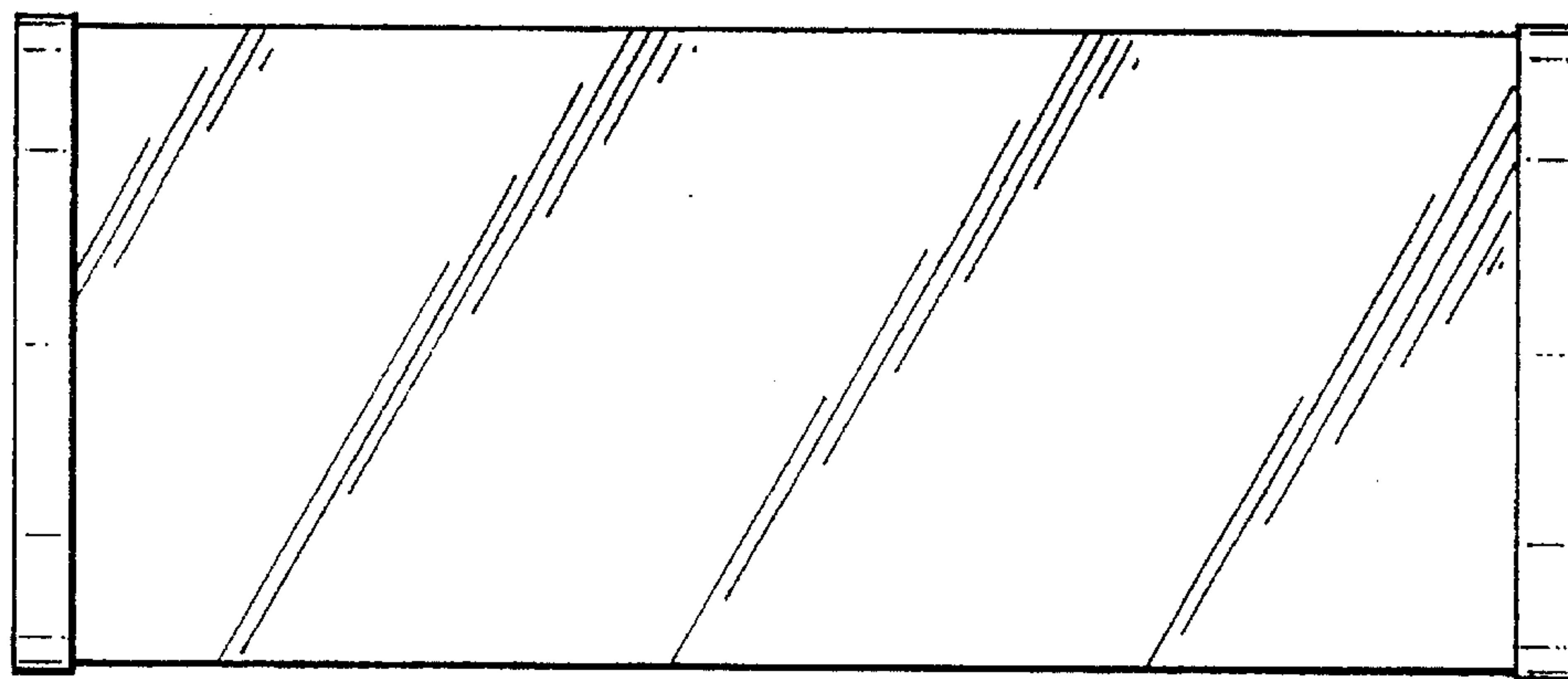


FIG. 14

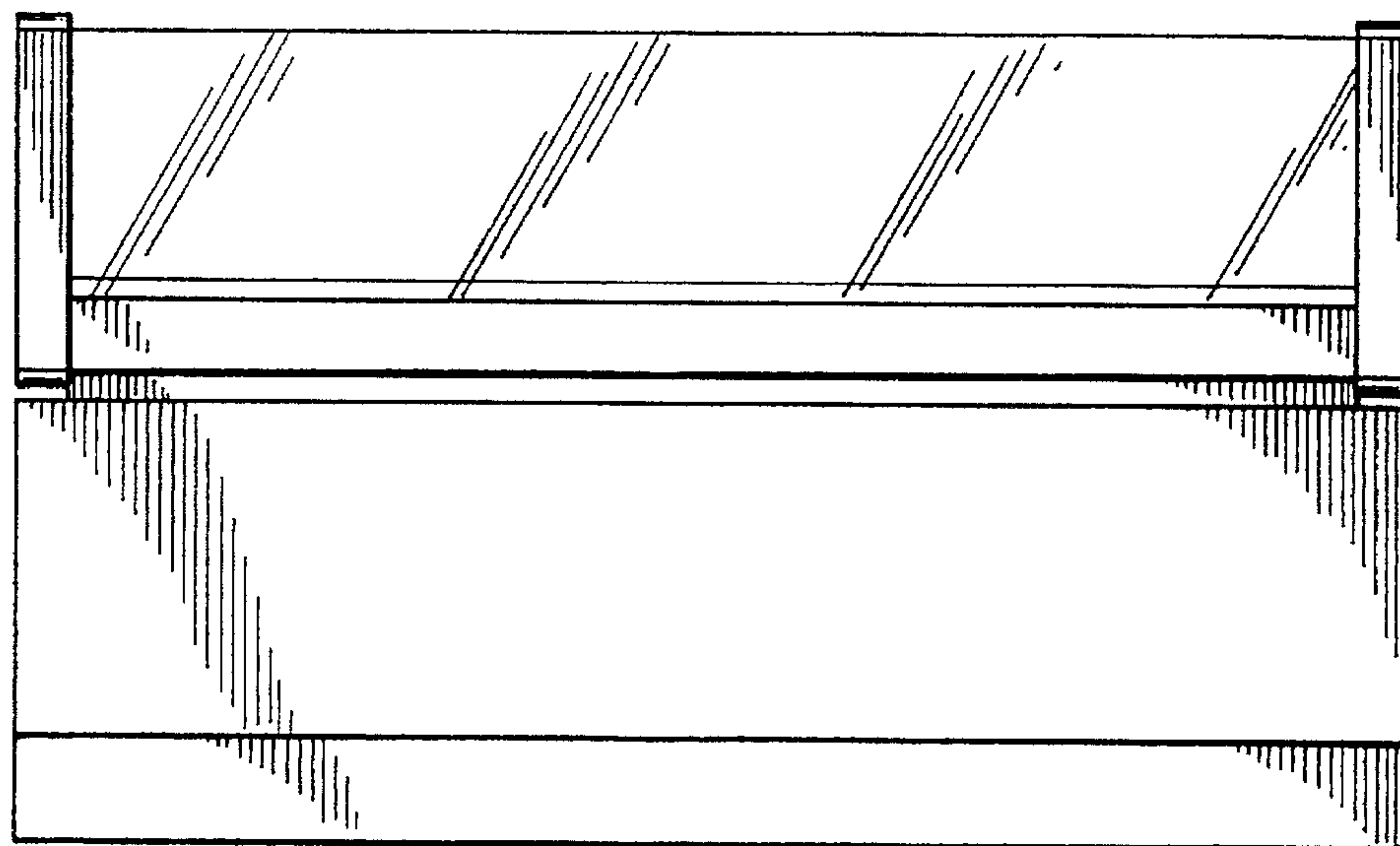
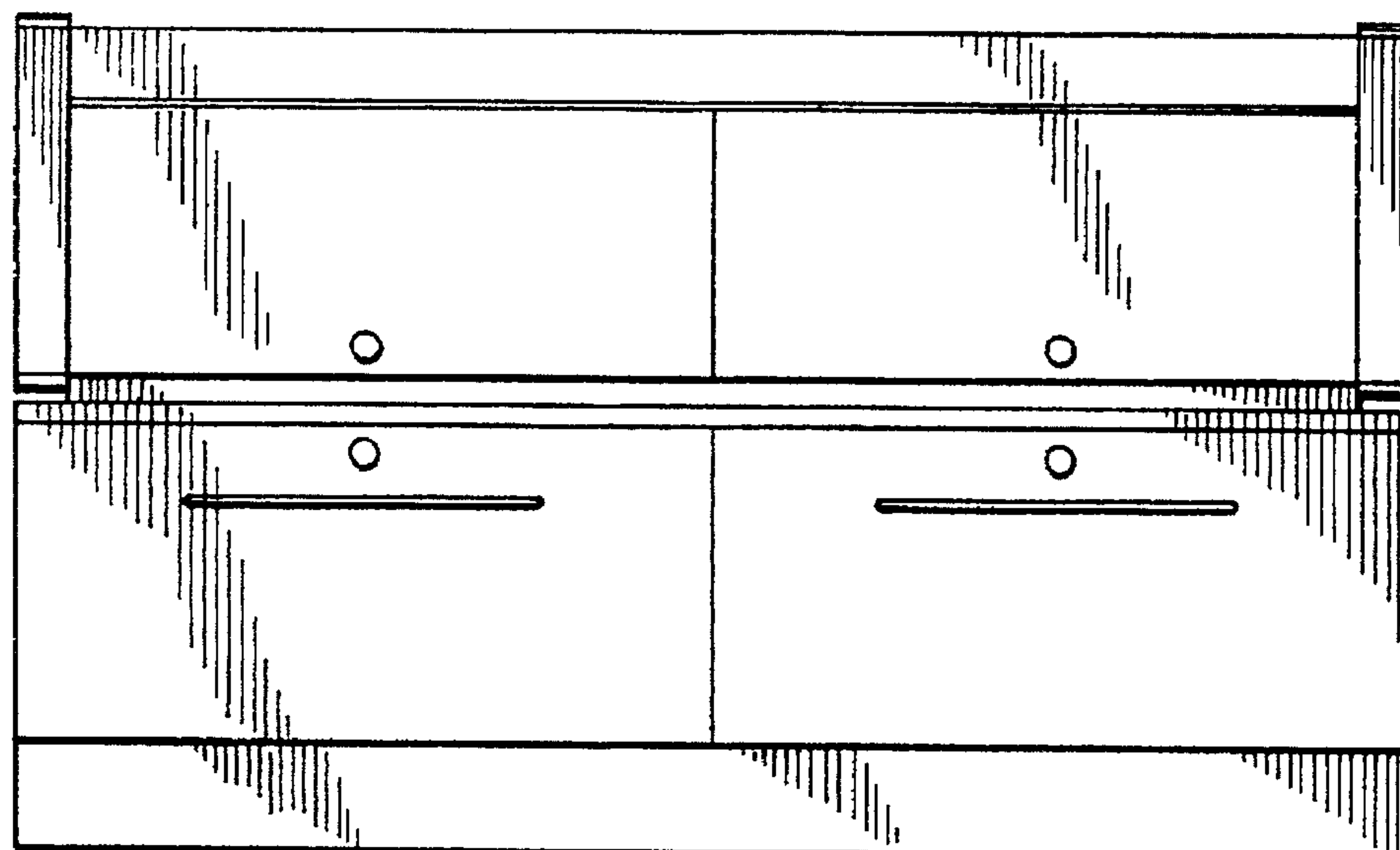


FIG. 15



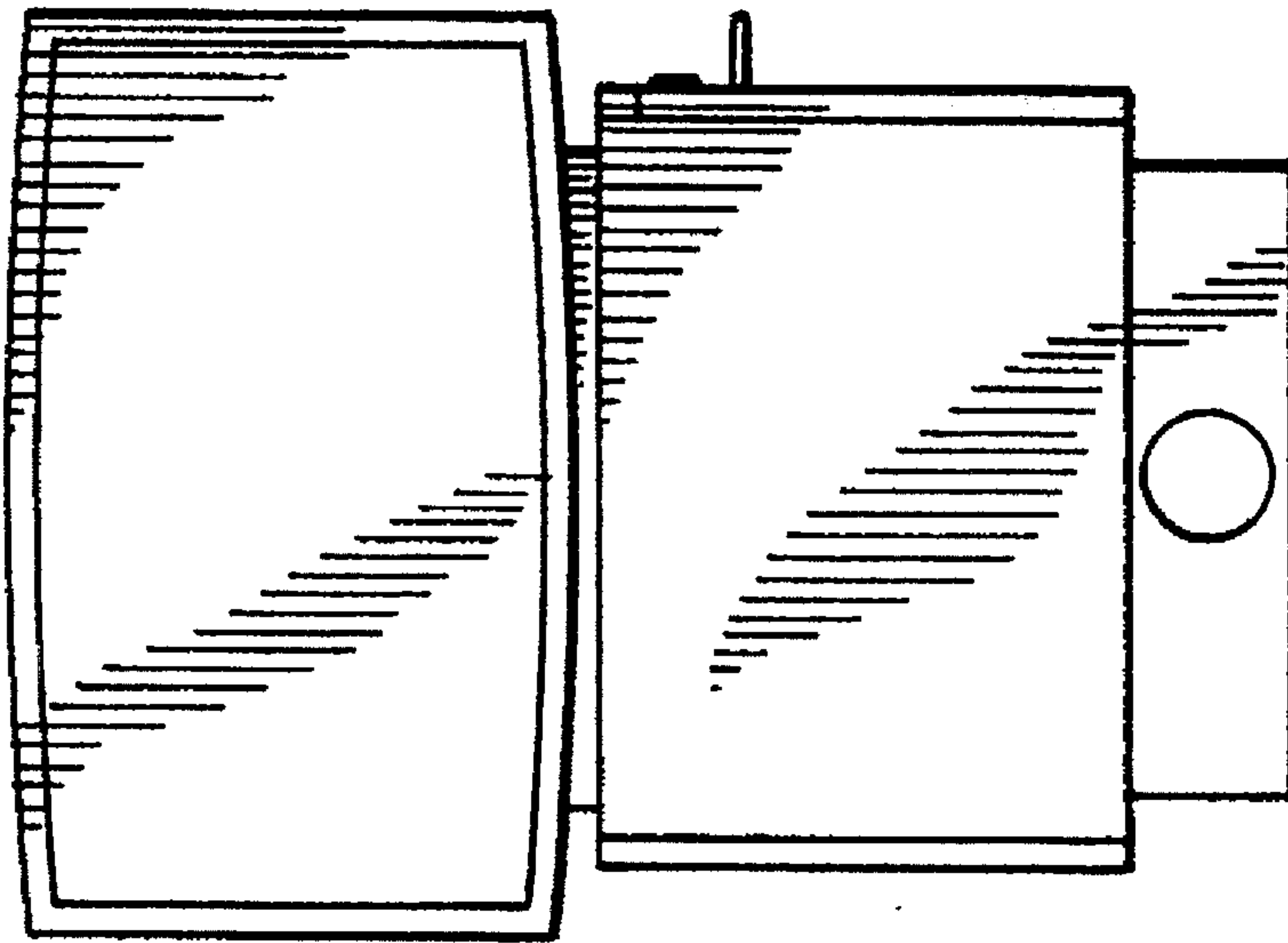


FIG. 17

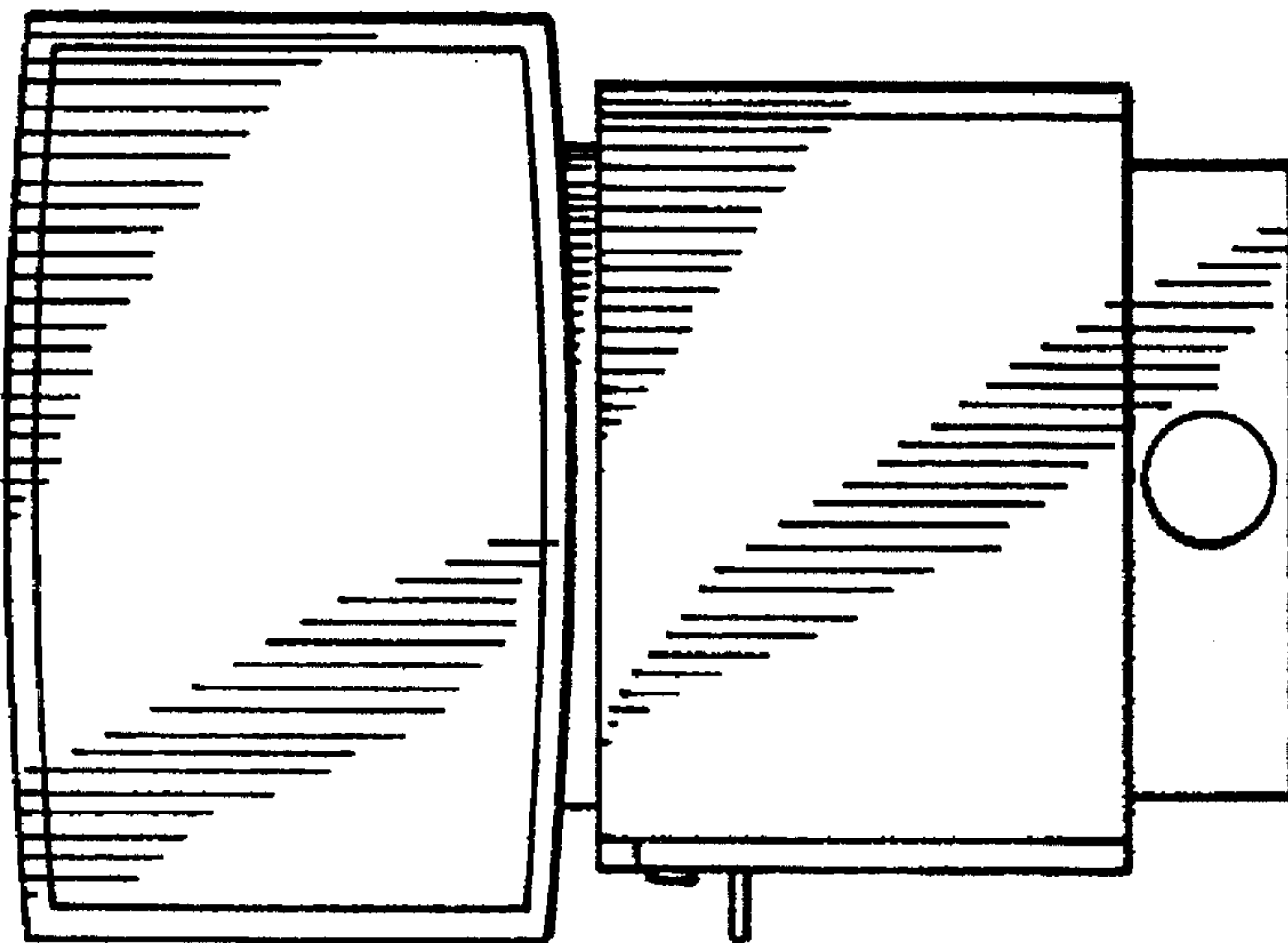


FIG. 18