



US00D379881S

United States Patent [19]
Gregg, III et al.

[11] **Patent Number: Des. 379,881**
[45] **Date of Patent: **Jun. 17, 1997**

[54] **LOCKING GUN RACK** 4,099,808 7/1978 Oakley et al. 211/64 X
4,380,296 4/1983 Murray et al. 211/70 X

[76] Inventors: **Eugene Stuart Gregg, III**, 20 Sally Port Rd., Hilton Head Island, S.C. 29928; **S. Baker Fennell**, 44 Millwright Dr., Hilton Head Island, S.C. 29926

Primary Examiner—Jeffrey Asch
Attorney, Agent, or Firm—H. Jay Spiegel

[**] Term: **14 Years**

[57] **CLAIM**

[21] Appl. No.: **51,220**

The ornamental design for a locking gun rack, as shown and described.

[22] Filed: **Mar. 6, 1996**

DESCRIPTION

Related U.S. Application Data

[63] Continuation-in-part of Ser. No. 29,626, Oct. 12, 1994, abandoned.

[51] **LOC (6) Cl.** **06-04**

[52] **U.S. Cl.** **D6/457**

[58] **Field of Search** D6/450, 415, 455,
D6/449, 457-461, 467-469; 211/70, 64,
13, 163

FIG. 1 shows a side view of our claimed design for a locking gun rack, the opposite side being a mirror image thereof; FIG. 2 shows an exploded side view of our claimed design; FIG. 3 shows a bottom view of our claimed design looking upwardly at the cover piece which is particularly shown separated from the rest of the structure in the view of FIG. 2;

FIG. 4 shows a top view of our claimed design looking downwardly from below the cover piece as depicted in FIG. 1;

FIG. 5 shows a bottom view of our claimed design looking upwardly in the view of FIG. 1;

FIG. 6 shows a side view of our claimed design rotated 90° from the view of FIGS. 1 and 2;

FIG. 7 shows a side view from the opposite direction of the view of FIG. 6; and,

FIG. 8 shows an exploded perspective view of our claimed design.

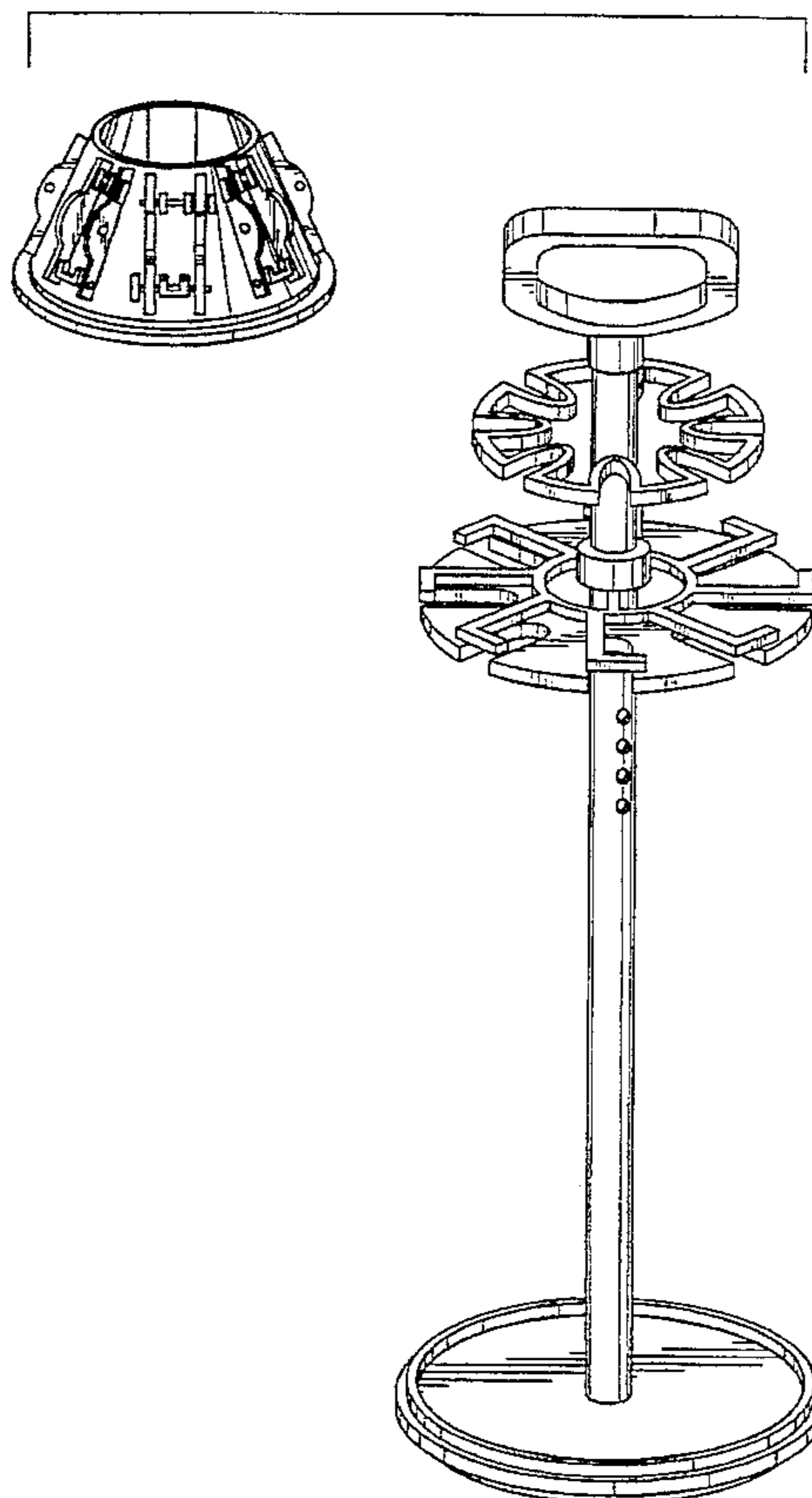
The cover piece and base have been shown separately in FIGS. 3 and 4 respectively for convenience of illustration.

[56] **References Cited**

U.S. PATENT DOCUMENTS

| | | | | |
|------------|---------|-------------------|-------|----------|
| D. 234,475 | 3/1975 | Markus | | D6/450 |
| D. 263,780 | 4/1982 | Hildebrand et al. | | D6/457 |
| D. 335,595 | 5/1993 | Bowen | | D6/461 X |
| D. 348,576 | 7/1994 | Narramore | | D6/457 X |
| D. 352,870 | 11/1994 | Erisken | | D6/457 X |
| 712,428 | 10/1902 | Whitcomb | | 211/70 X |
| 1,757,600 | 5/1930 | Sprowle | | 211/64 |
| 3,927,923 | 12/1975 | Kimmel | | 211/64 X |

1 Claim, 4 Drawing Sheets



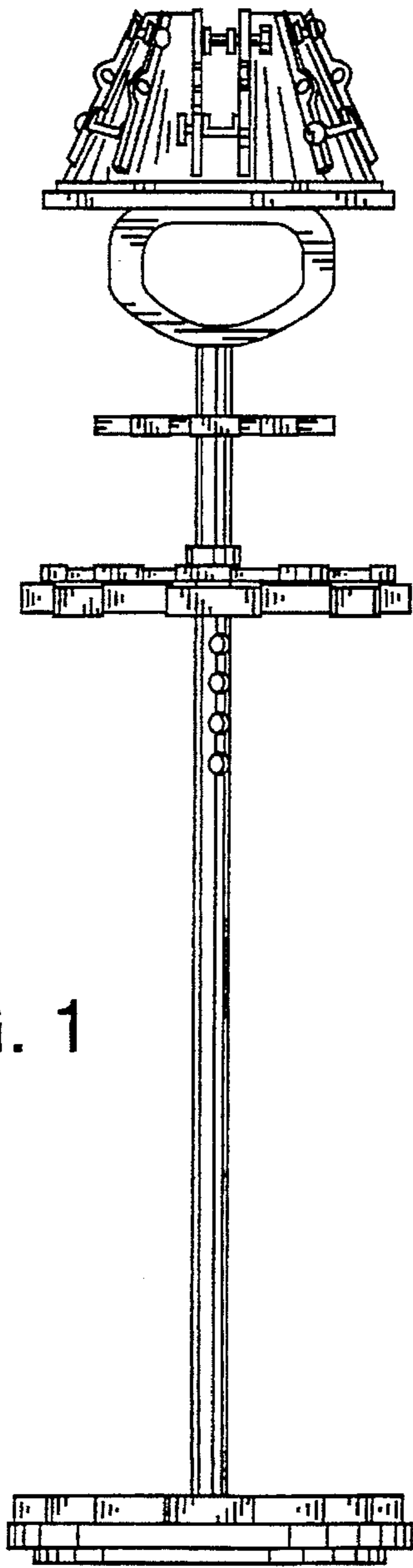


FIG. 1

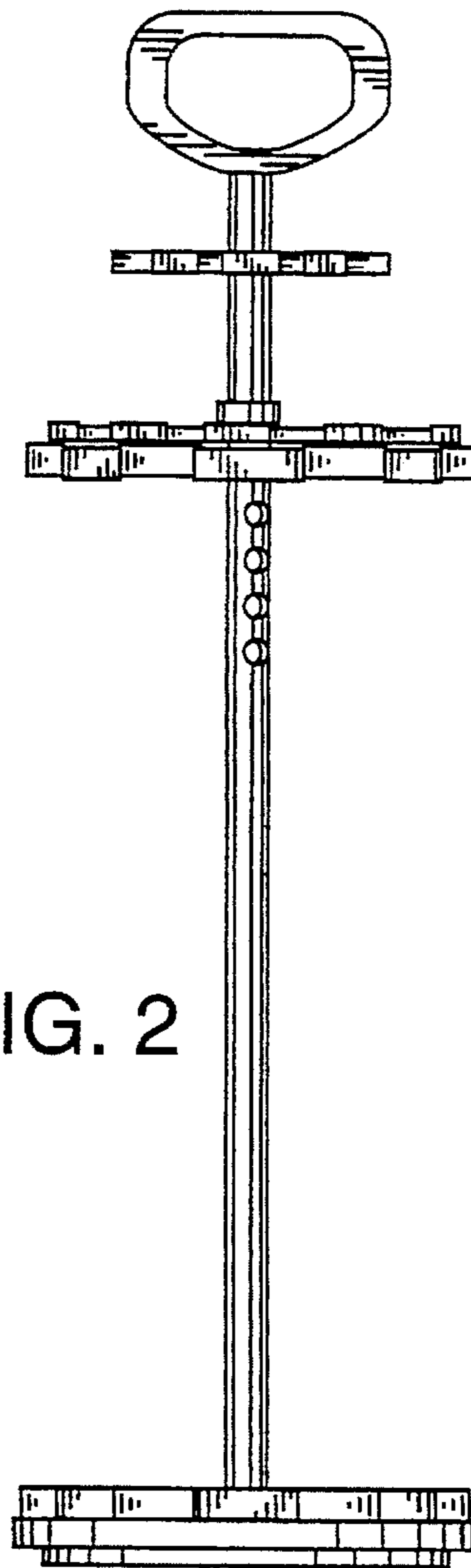
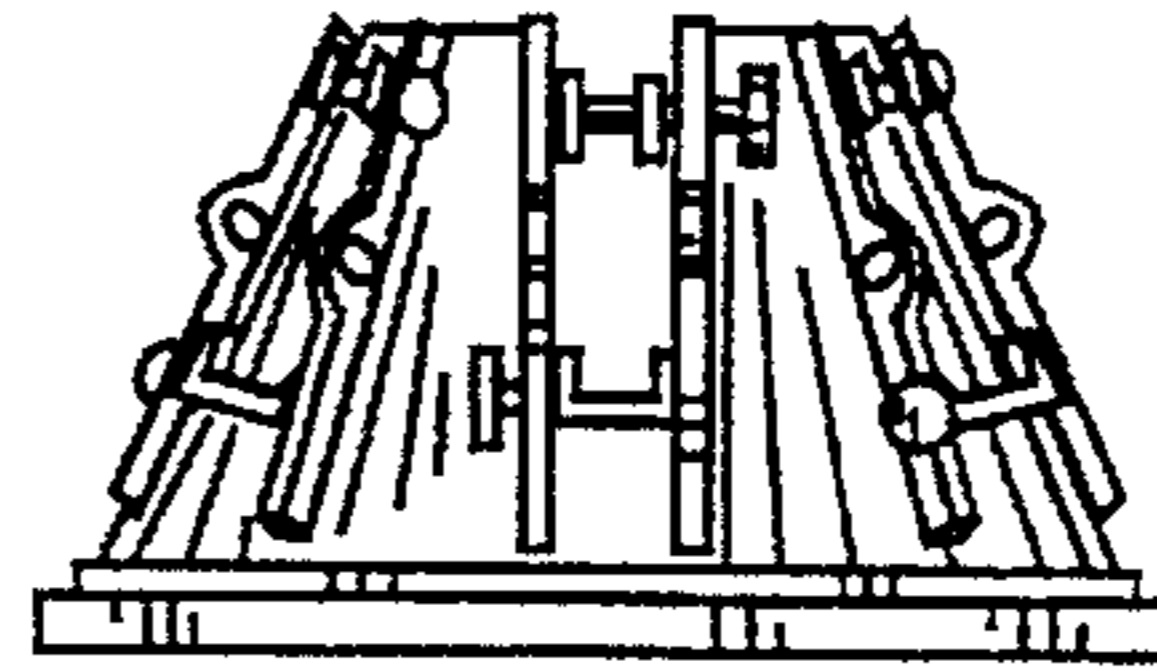


FIG. 2

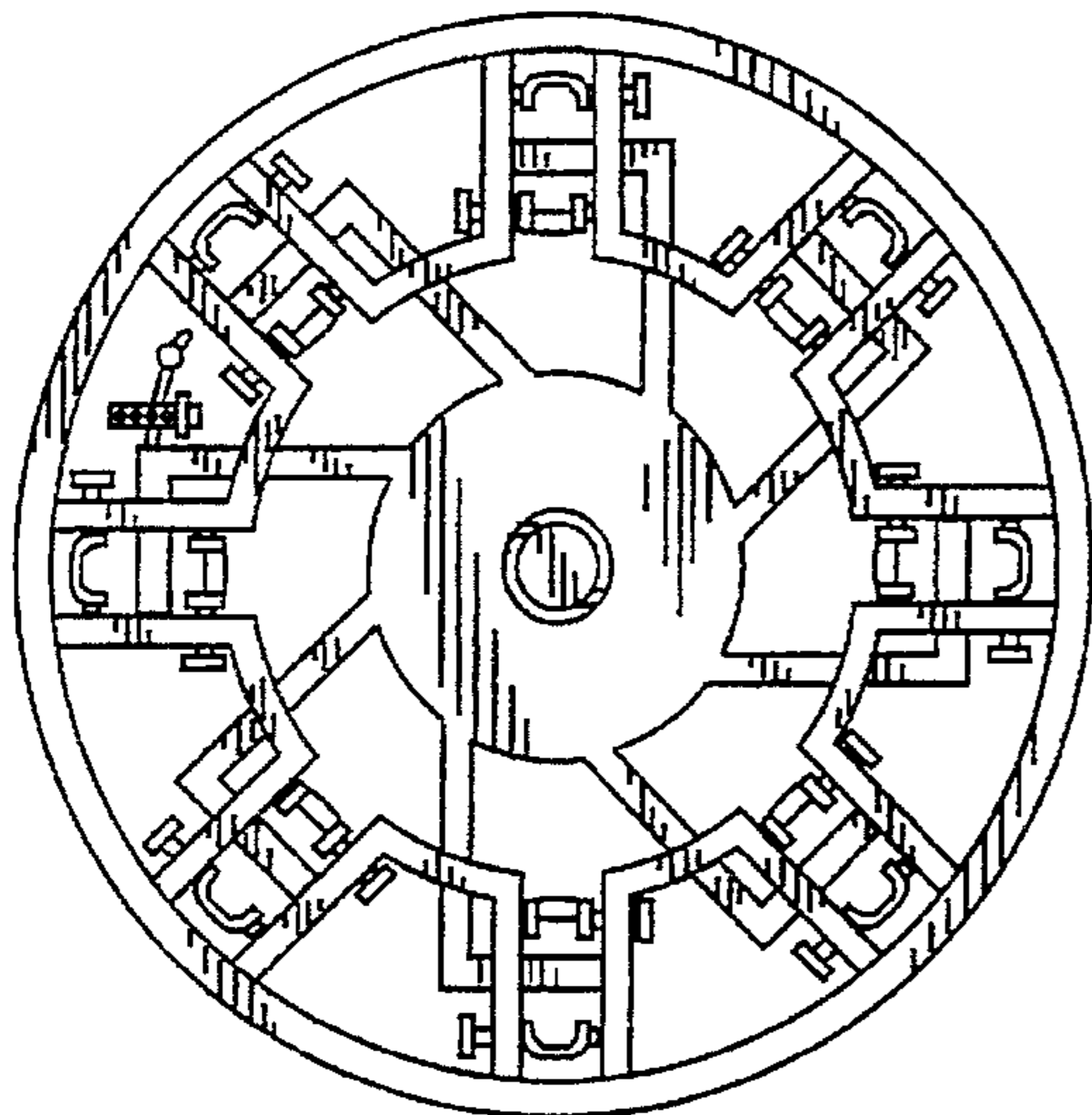


FIG. 3

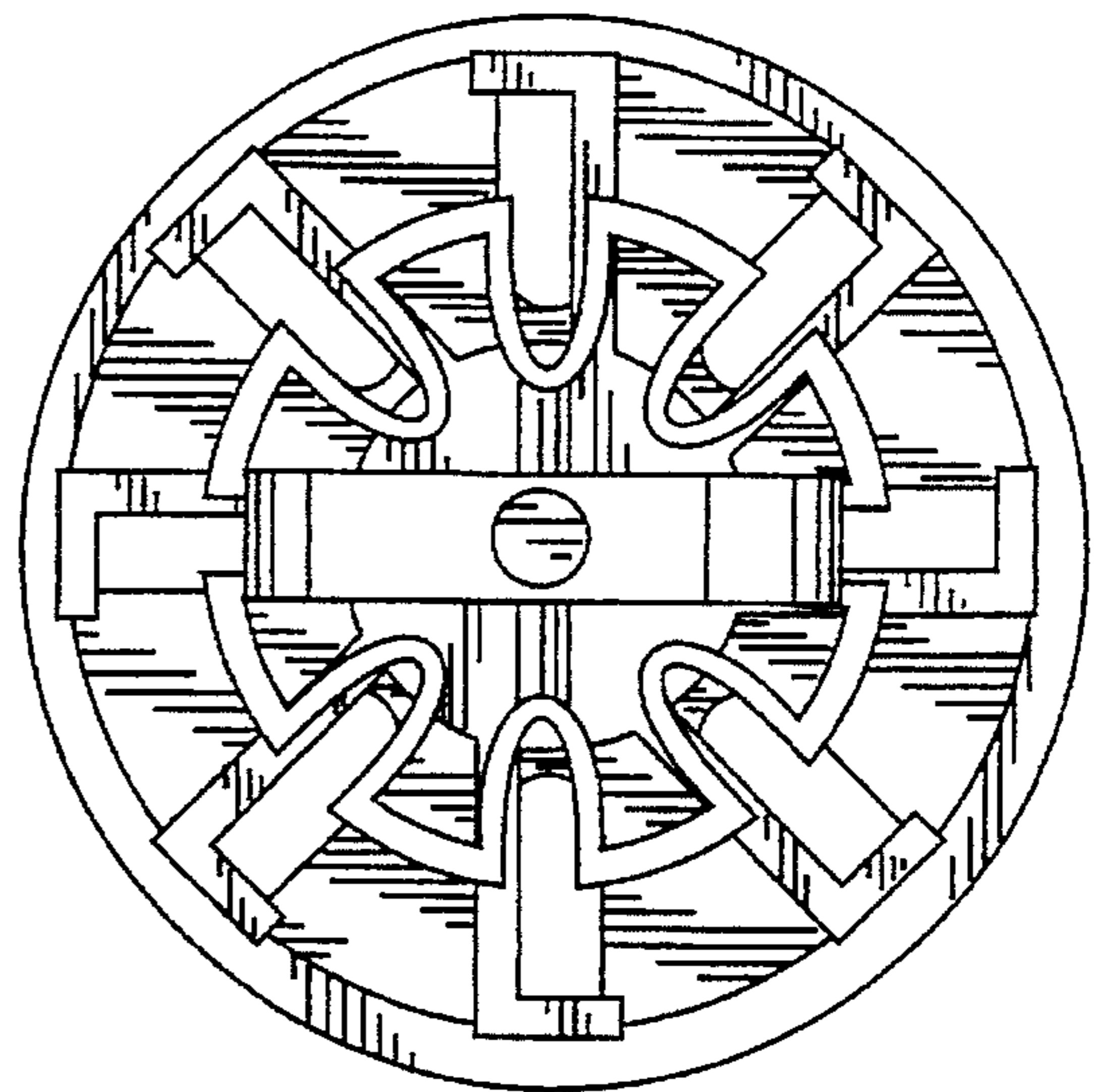


FIG. 4

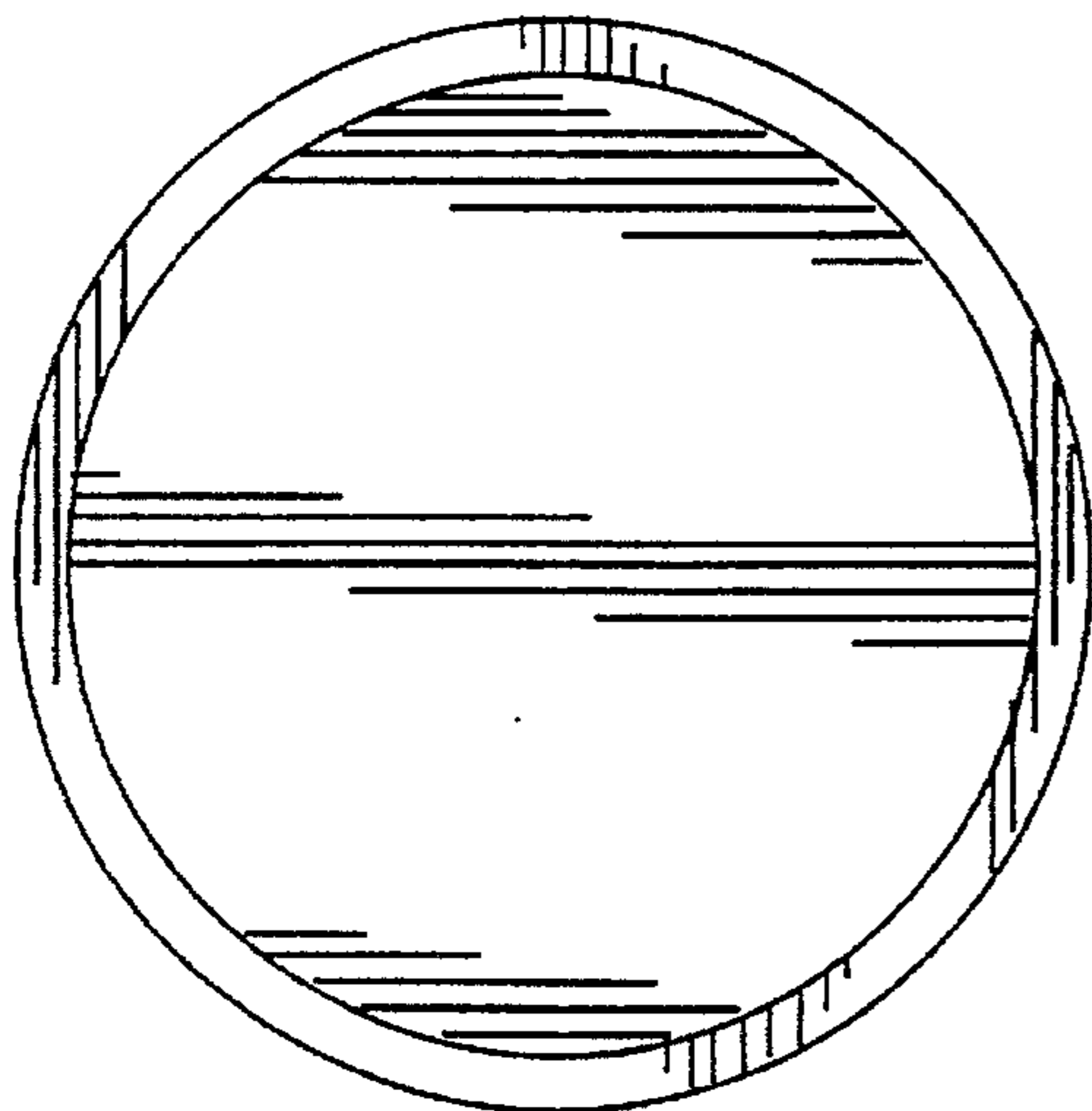


FIG. 5

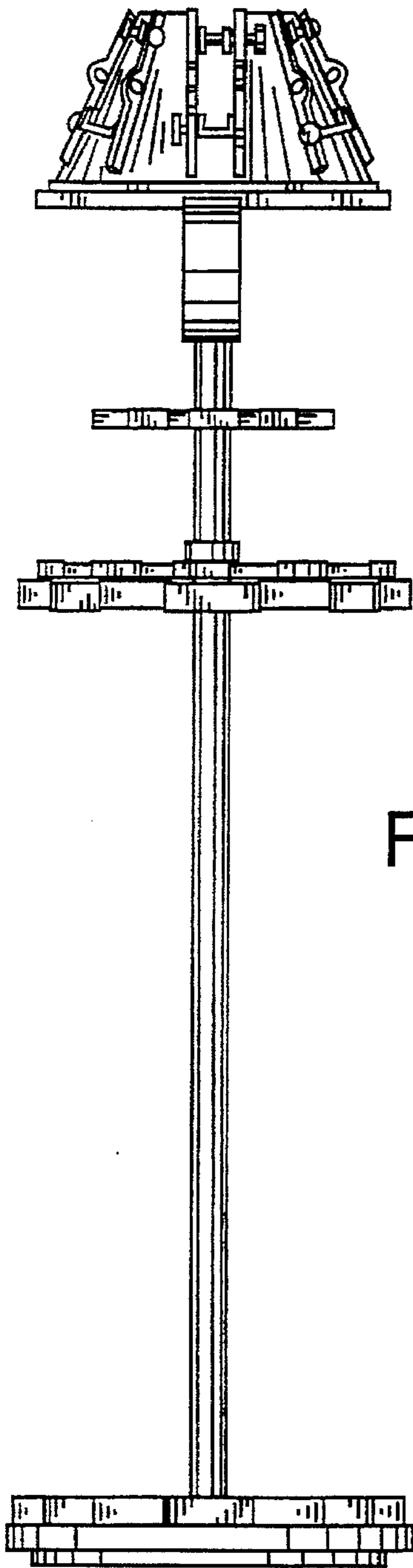


FIG. 6

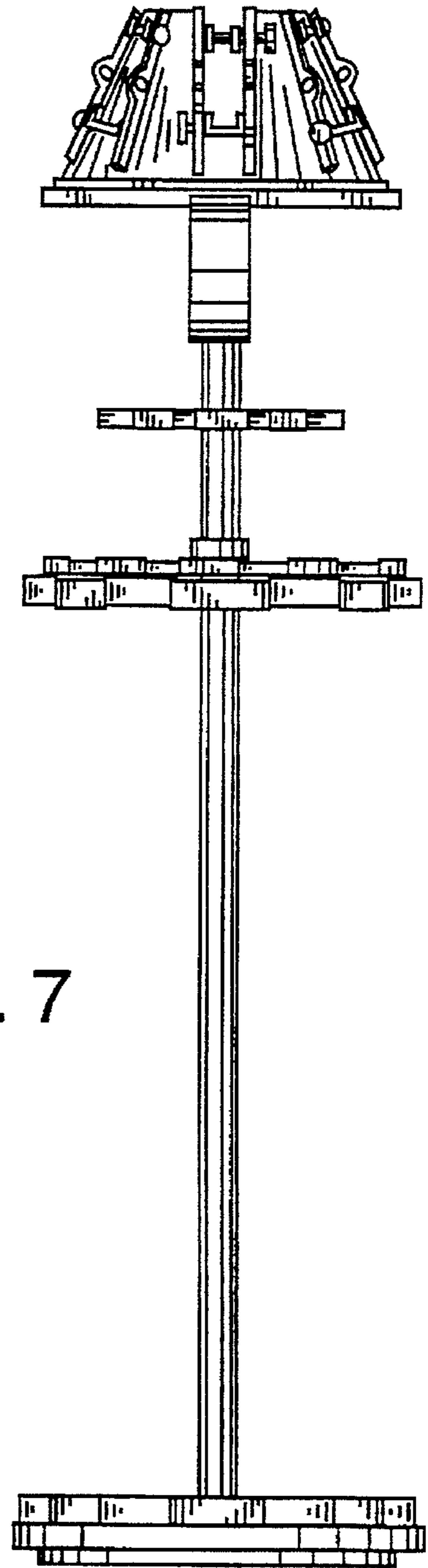


FIG. 7

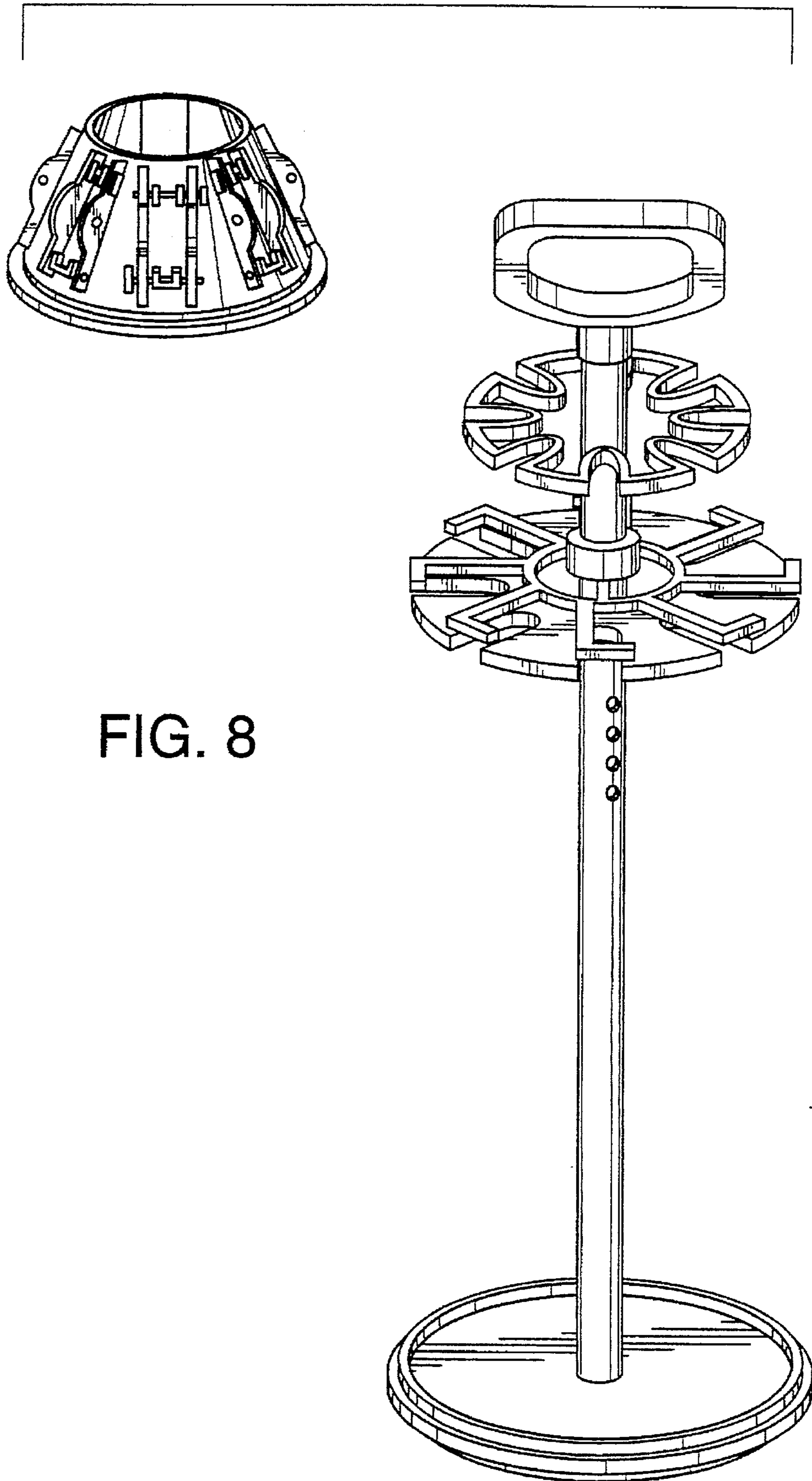


FIG. 8