



US00D379878S

# United States Patent [19]

Vassallo

[11] Patent Number: Des. 379,878

[45] Date of Patent: \*\*Jun. 17, 1997

[54] COAT-STAND

[75] Inventor: Alessandro Vassallo, Padua, Italy

[73] Assignee: Cazzaro S.p.A., Piombino Dese, Italy

[\*\*] Term: 14 Years

[21] Appl. No.: 52,032

[22] Filed: Mar. 21, 1996

### [30] Foreign Application Priority Data

Sep. 25, 1995 [IT] Italy ..... PD9500038

[51] LOC (6) Cl. .... 06-04

[52] U.S. Cl. .... D6/415

[58] Field of Search ..... D6/396, 415, 411, D6/449, 455, 457, 458, 463, 462, 464, 465, 466, 467, 468; 211/33, 196, 205, 208, 163, 204, 13, 30, 31, 32, 107, 194, 112, 181, 86; 248/218.4, 121, 159, 165, 175, 188.1, 176.1; D20/19, 41, 42; 40/659, 658, 124, 124.2, 124.4

### [56] References Cited

#### U.S. PATENT DOCUMENTS

D. 195,567 7/1963 Gleitsman ..... D20/41 X  
D. 195,572 7/1963 Gleitsman ..... D20/41 X

D. 206,921 2/1967 Burchett ..... D6/462  
D. 339,009 9/1993 Evenson ..... D6/411 X  
393,873 12/1888 Wilson ..... 211/33  
776,284 11/1904 Wright ..... 211/33  
1,358,756 11/1920 Kozłowski ..... 211/163  
2,165,915 7/1939 Berger et al. .... 248/121 X  
2,642,245 6/1953 Rice et al. .... 248/121 X  
4,645,081 2/1987 Korth ..... 211/208  
4,981,227 1/1991 Ingram ..... 211/208

Primary Examiner—James Gandy  
Assistant Examiner—Linda Brooks  
Attorney, Agent, or Firm—Guido Modiano; Albert Josif

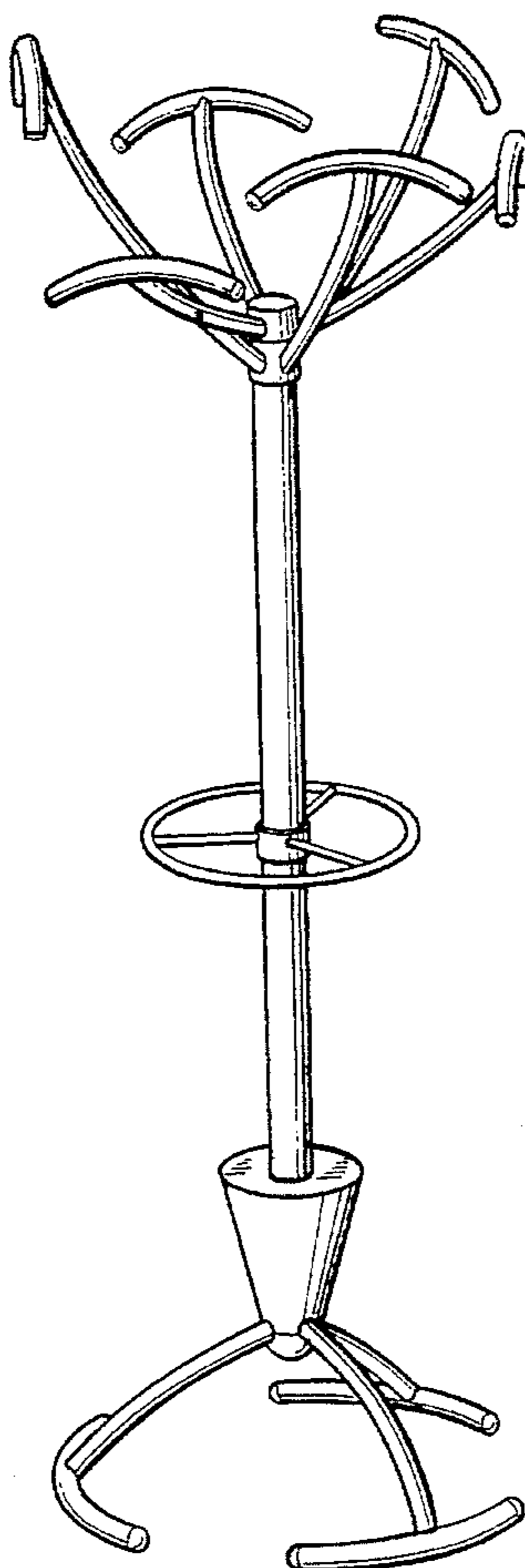
### [57] CLAIM

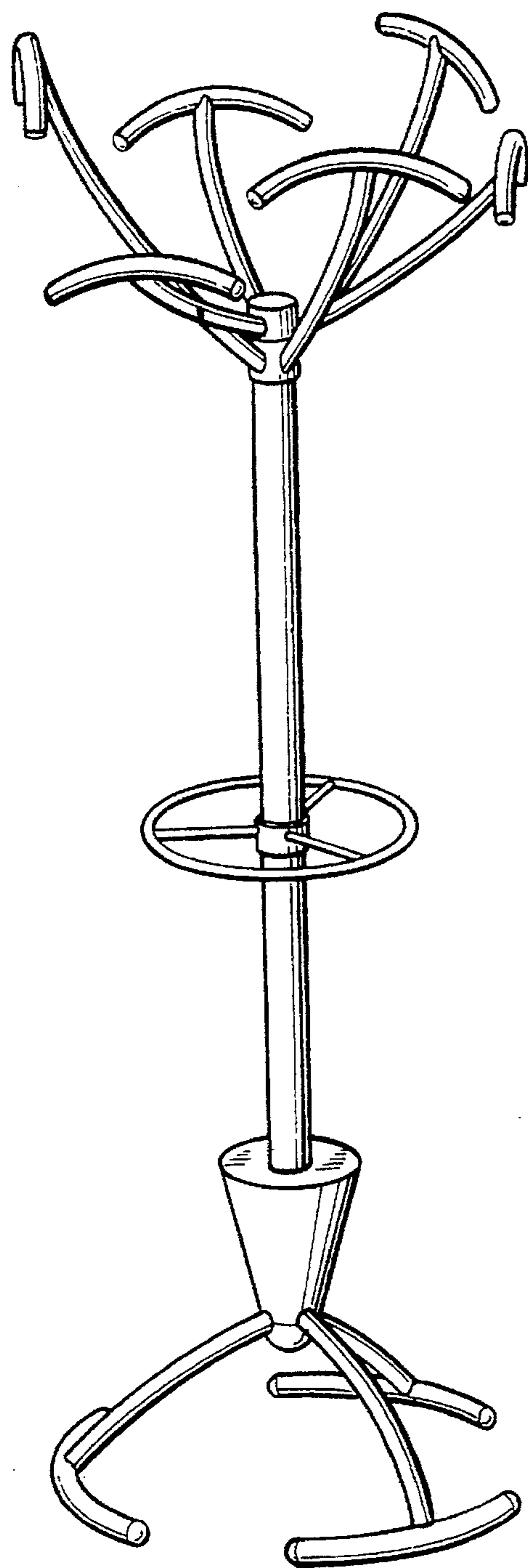
The ornamental design for a coat-stand, as shown and described.

### DESCRIPTION

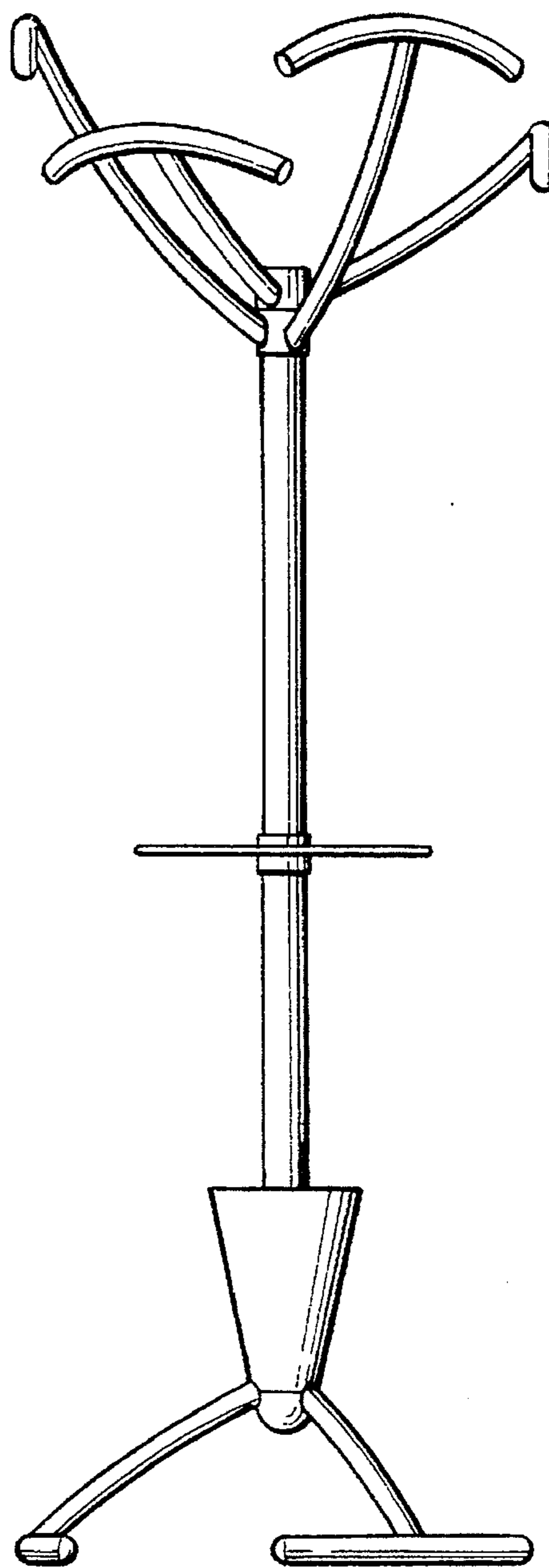
FIG. 1 is a perspective view of a coat-stand showing my new design;  
FIG. 2 is a elevation view from one side;  
FIG. 3 is a elevation view from the other side;  
FIG. 4 is a front view;  
FIG. 5 is a rear view;  
FIG. 6 is a top plan view; and,  
FIG. 7 is a bottom plan view.

1 Claim, 3 Drawing Sheets

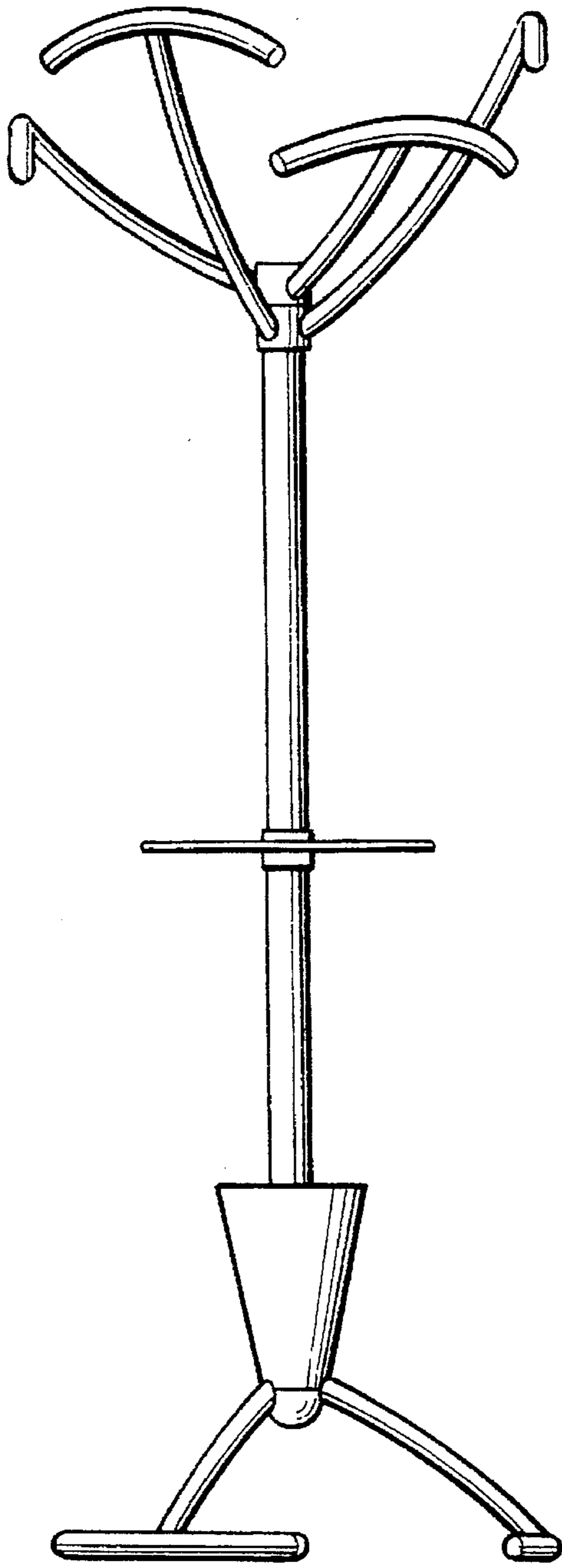




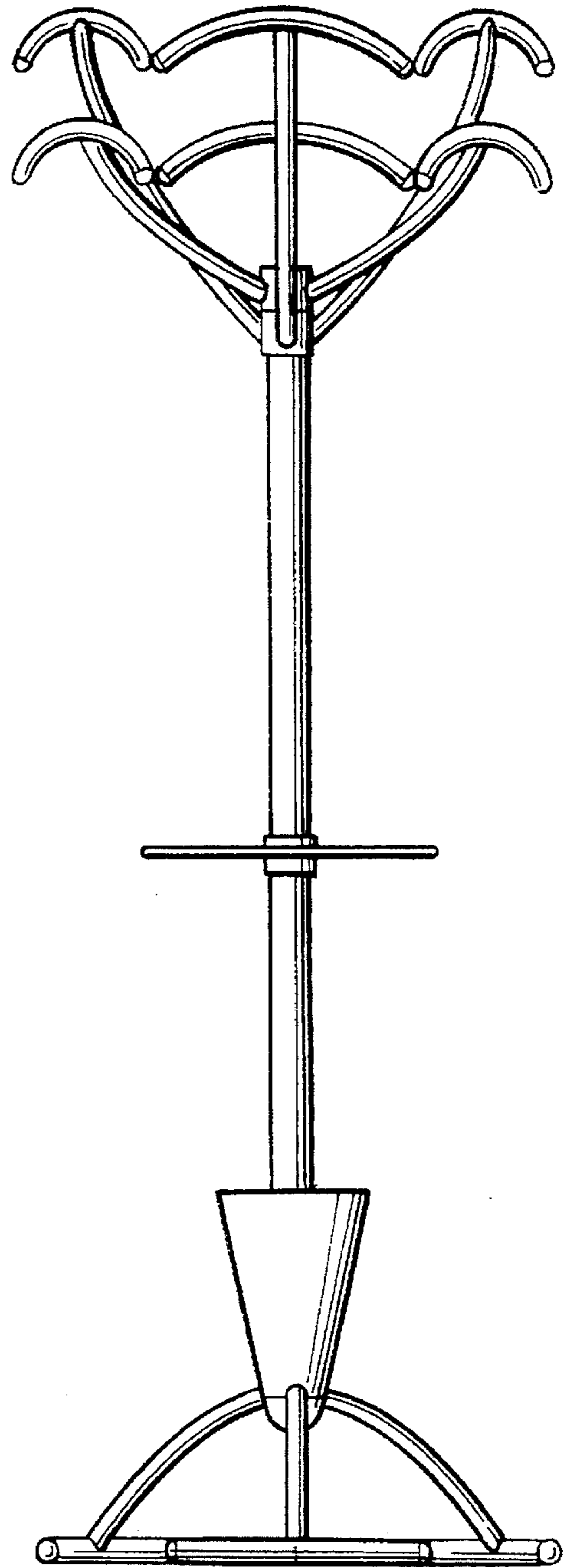
*Fig. 1*



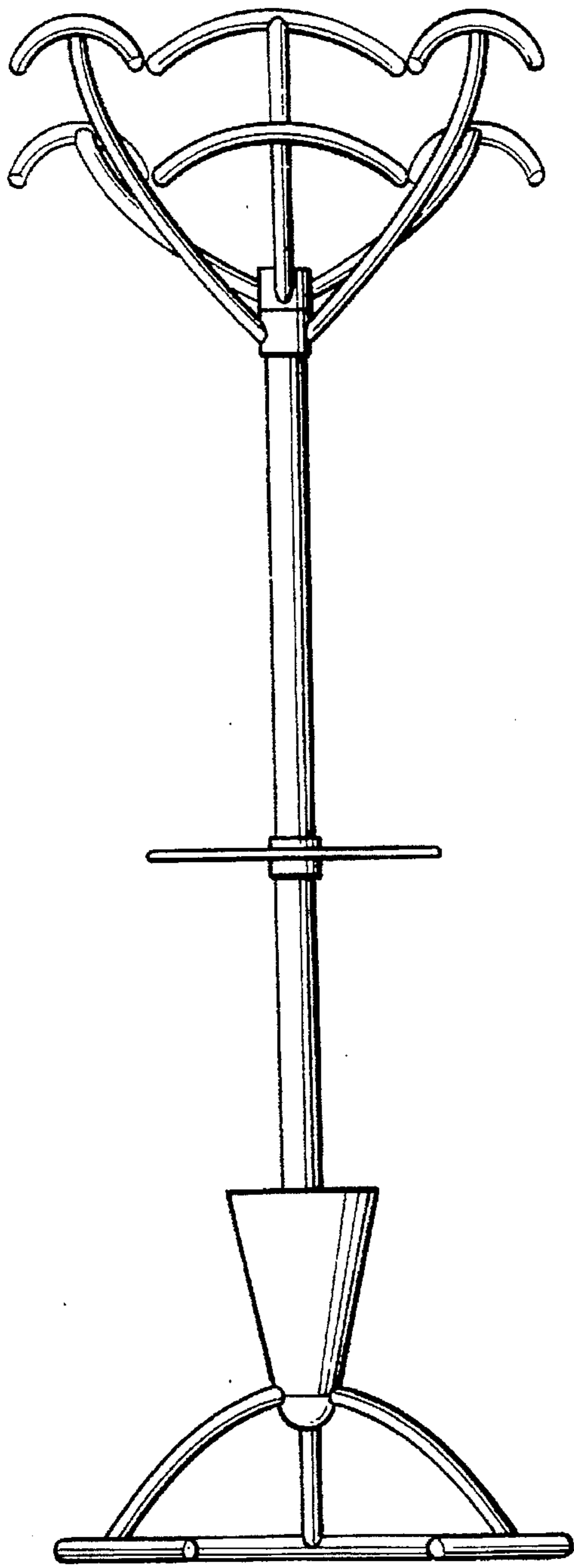
*Fig. 2*



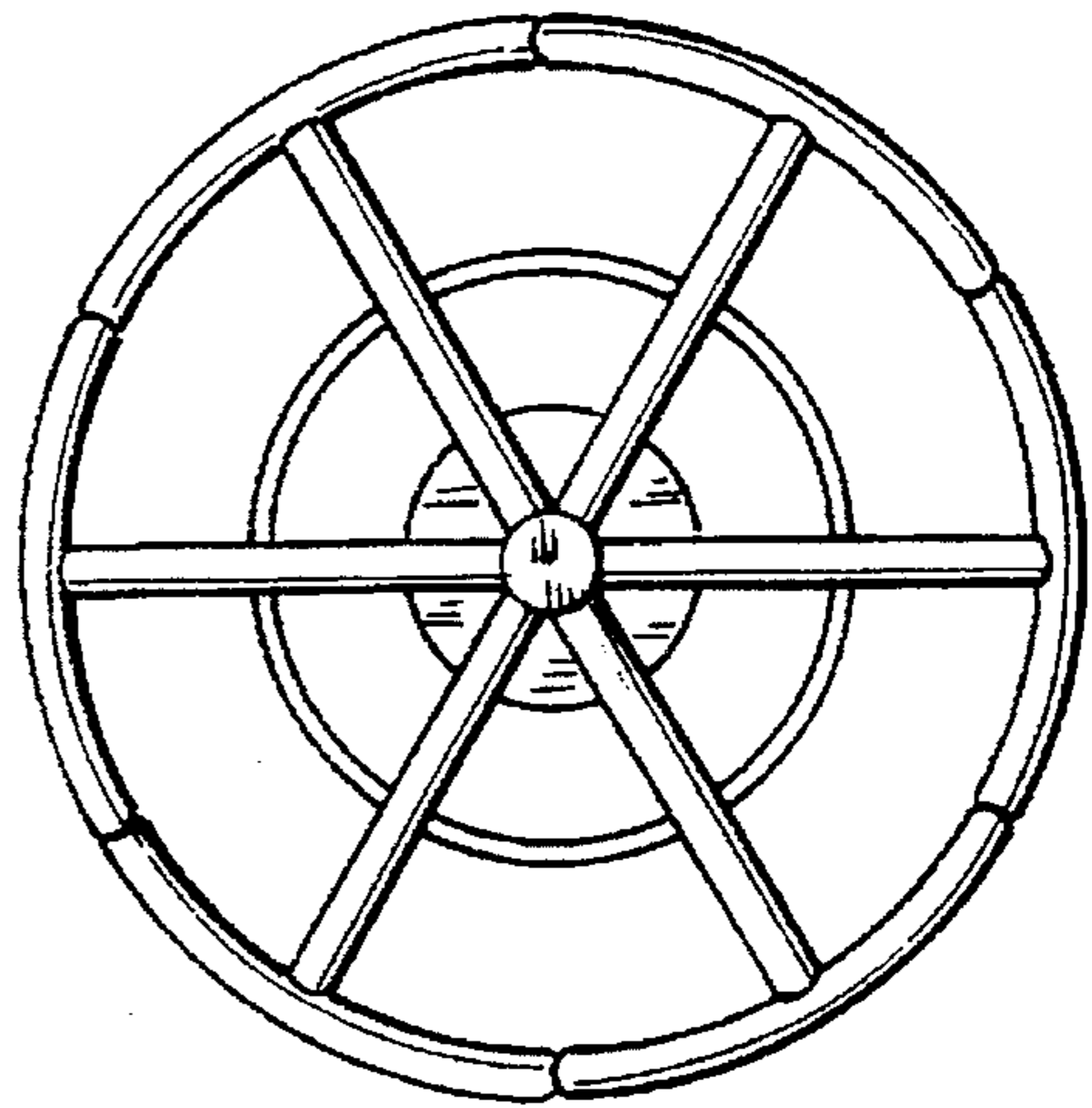
*Fig. 3*



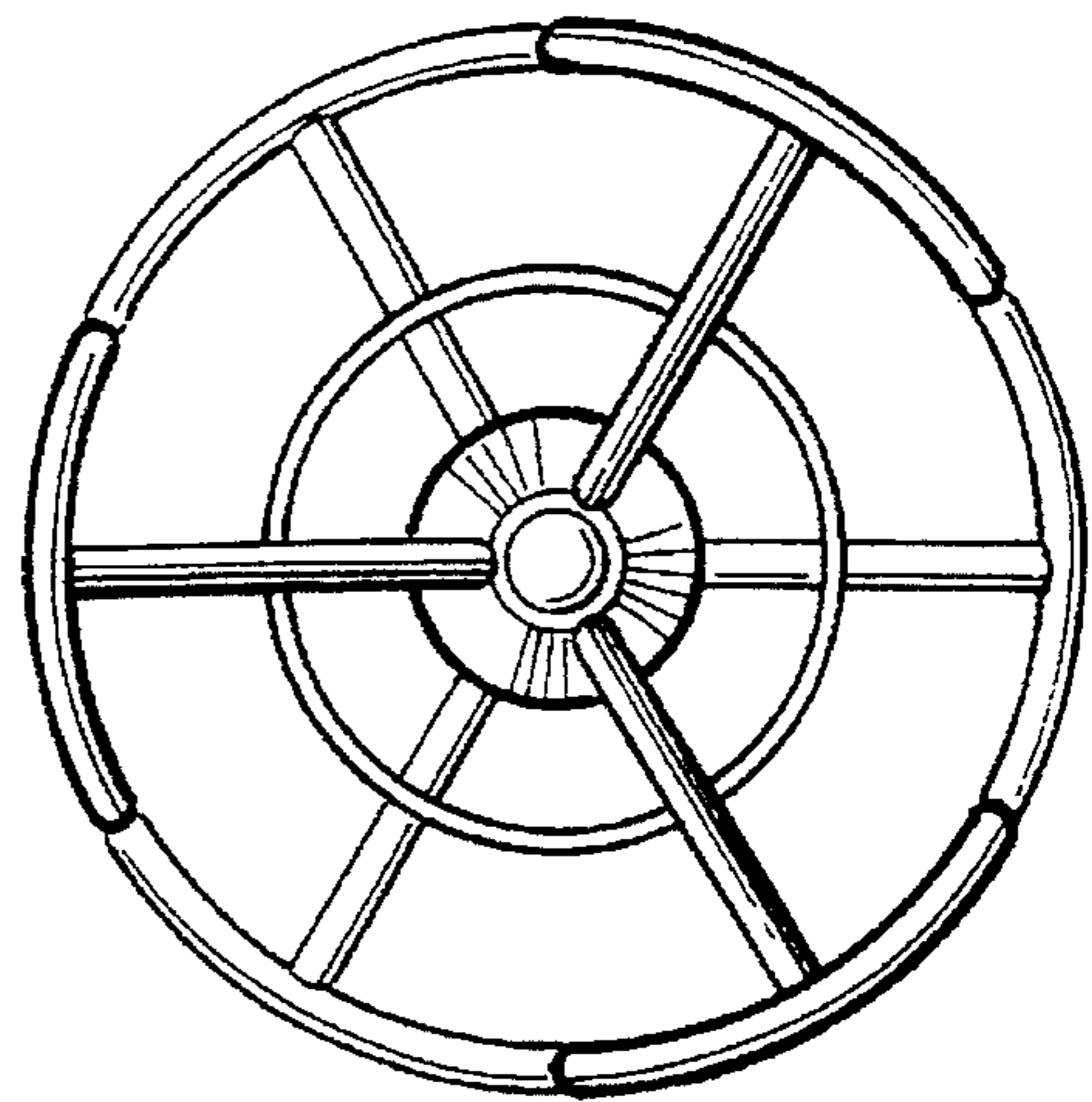
*Fig. 4*



*Fig. 5*



*Fig. 6*



*Fig. 7*