



US00D379877S

United States Patent [19] Tilley

[11] Patent Number: **Des. 379,877**
[45] Date of Patent: ****Jun. 17, 1997**

[54] **BUNK BED FOR DORMITORY STYLE ROOMS**

FOREIGN PATENT DOCUMENTS

3031859 4/1982 Germany 5/9.1
2044085 10/1980 United Kingdom 5/9.1

[75] Inventor: **Max L. Tilley**, Falcon, Colo.

OTHER PUBLICATIONS

[73] Assignee: **The United States of America as represented by the Secretary of the Air Force**, Washington, D.C.

IKEA, c1992, p. 110, bunkbed at top.
Southern Market Preview, Apr. 1983, p. 63, bunk bed at lower left.

[**] Term: **14 Years**

Primary Examiner—Janice E. Seeger
Attorney, Agent, or Firm—Stanton E. Collier

[21] Appl. No.: **48,231**

[22] Filed: **Dec. 22, 1995**

[57] CLAIM

Related U.S. Application Data

The ornamental design for a bunk bed for dormitory style rooms, as shown and described.

[63] Continuation of Ser. No. 44,001, Aug. 14, 1995.

DESCRIPTION

[51] LOC (6) Cl. **06-01**

[52] U.S. Cl. **D6/384**

[58] Field of Search D6/382-384, 393-395;
5/2.1, 8, 9.1, 279.1, 280, 907

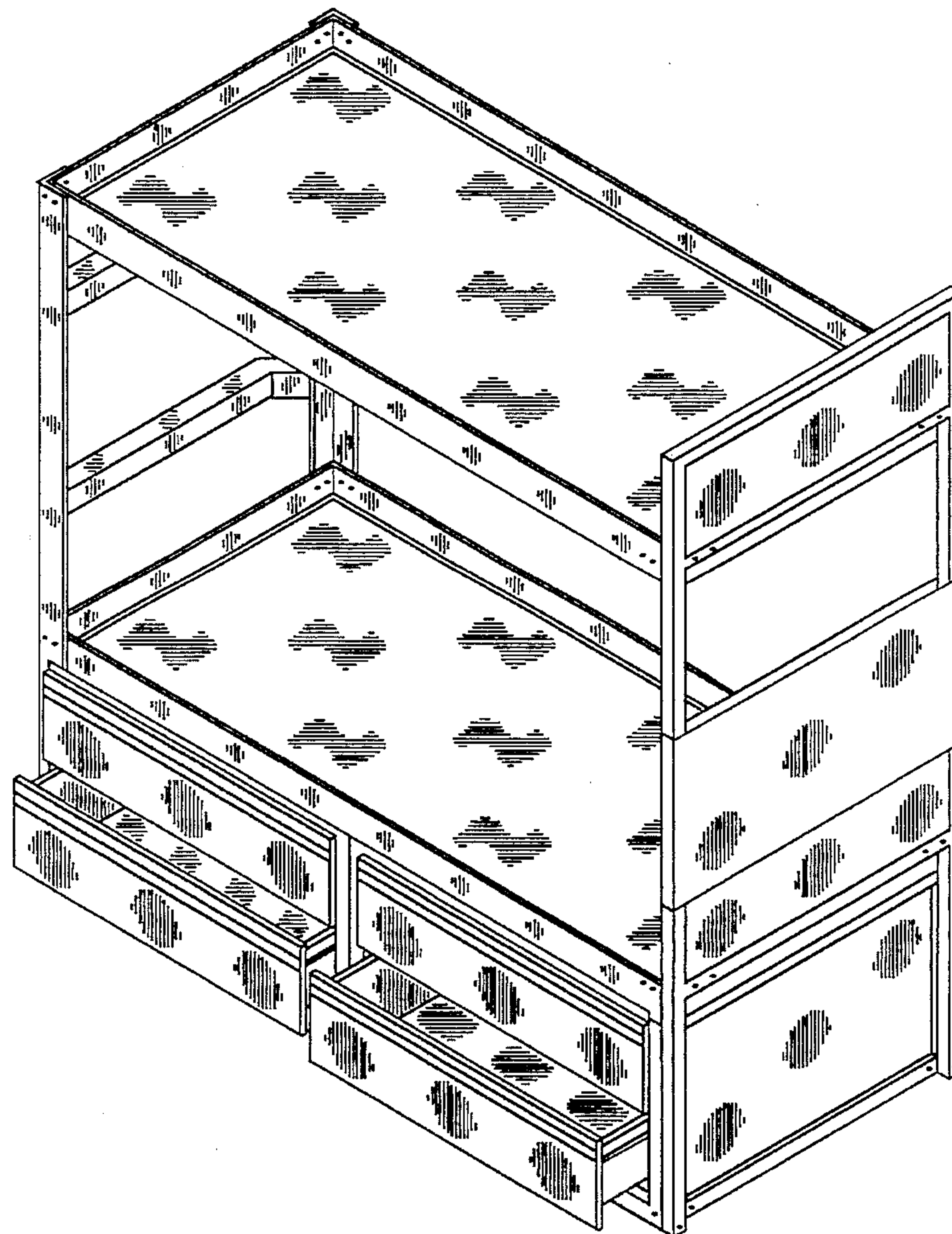
FIG. 1 is a front perspective view of a bunk bed for dormitory style rooms, showing my new design;
FIG. 2 is a back perspective view thereof;
FIG. 3 is a head side elevational view thereof;
FIG. 4 is a front side elevational view thereof; and,
FIG. 5 is a foot side elevational view thereof.

[56] References Cited

U.S. PATENT DOCUMENTS

2,774,976 12/1956 Ross 5/9.1

1 Claim, 4 Drawing Sheets



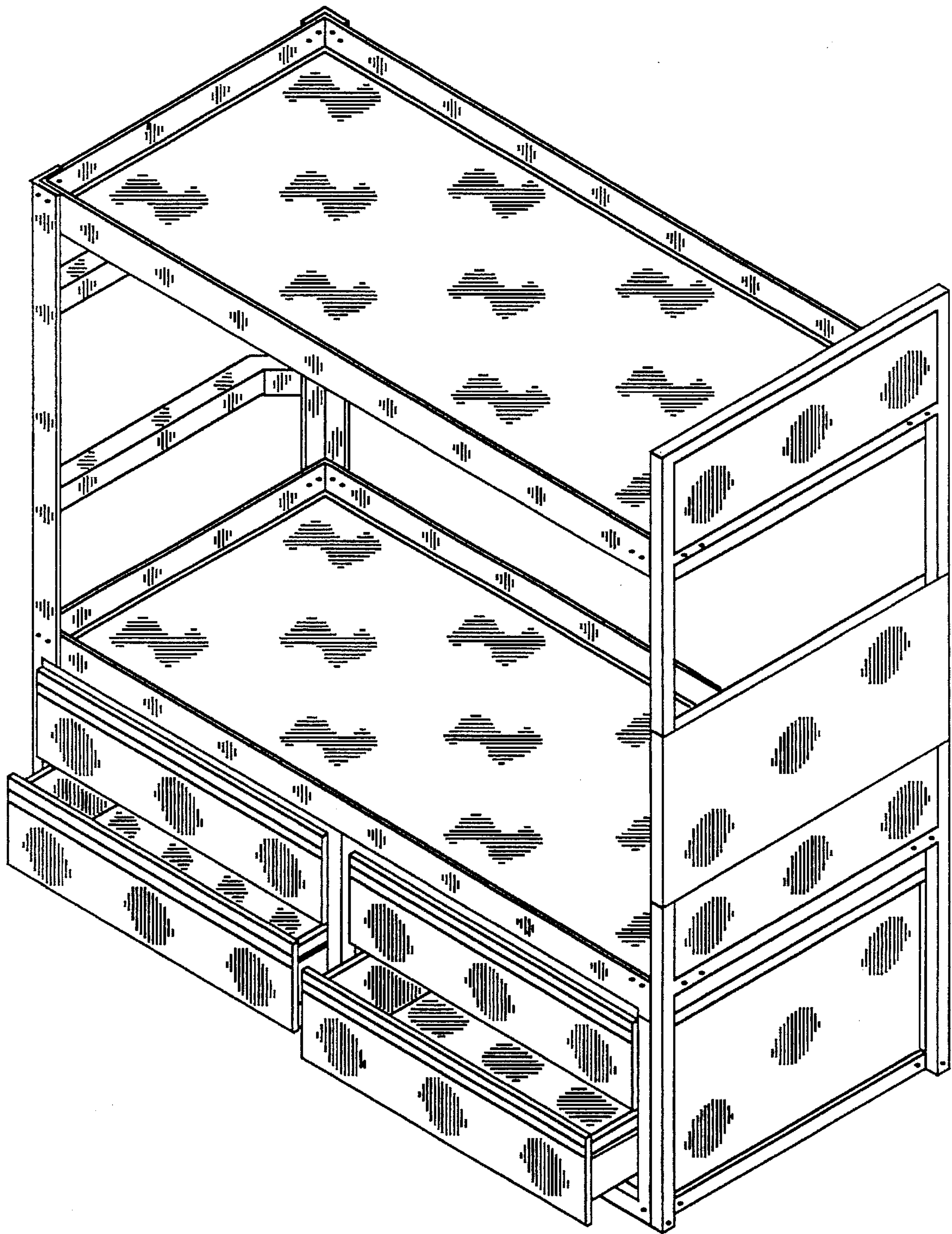


FIG. 1

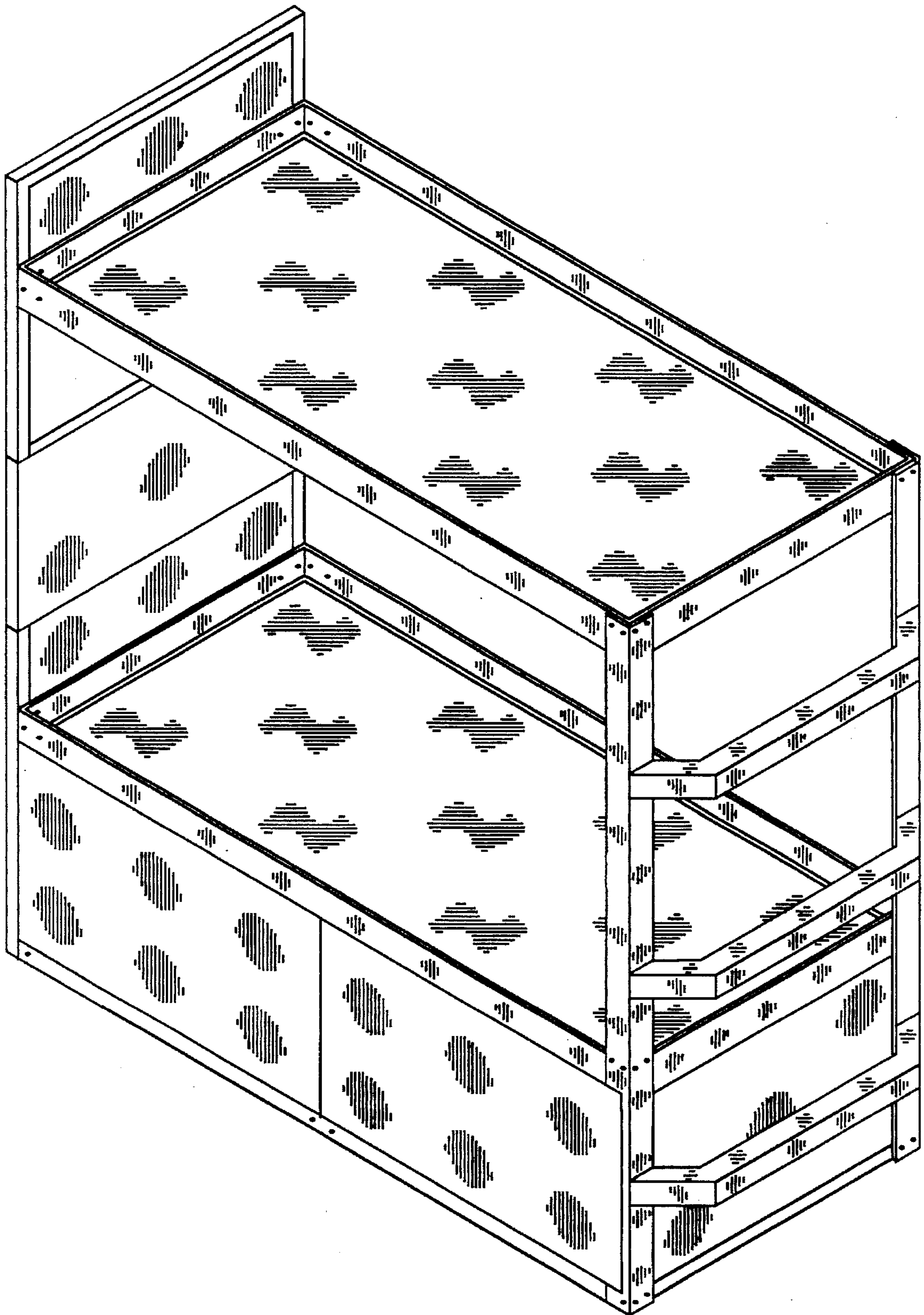


FIG. 2

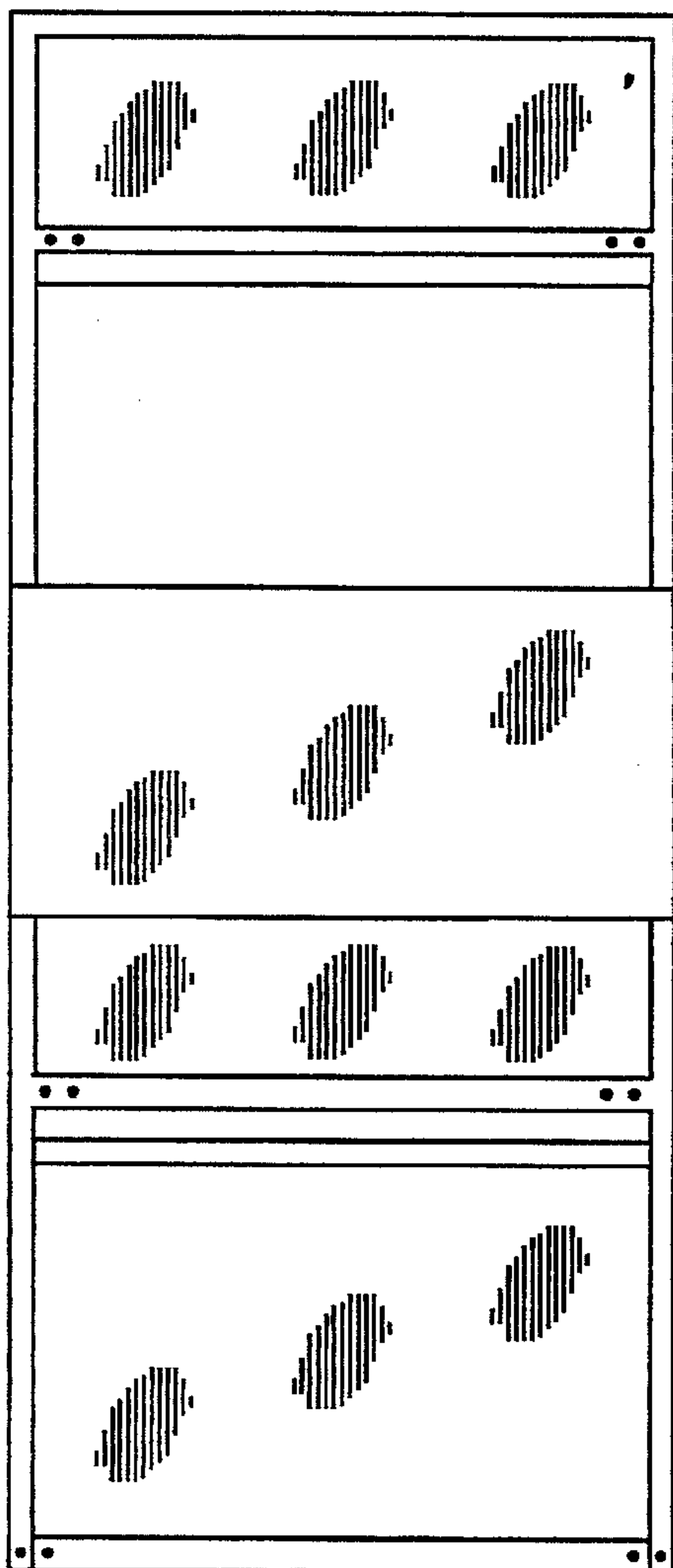


FIG. 3

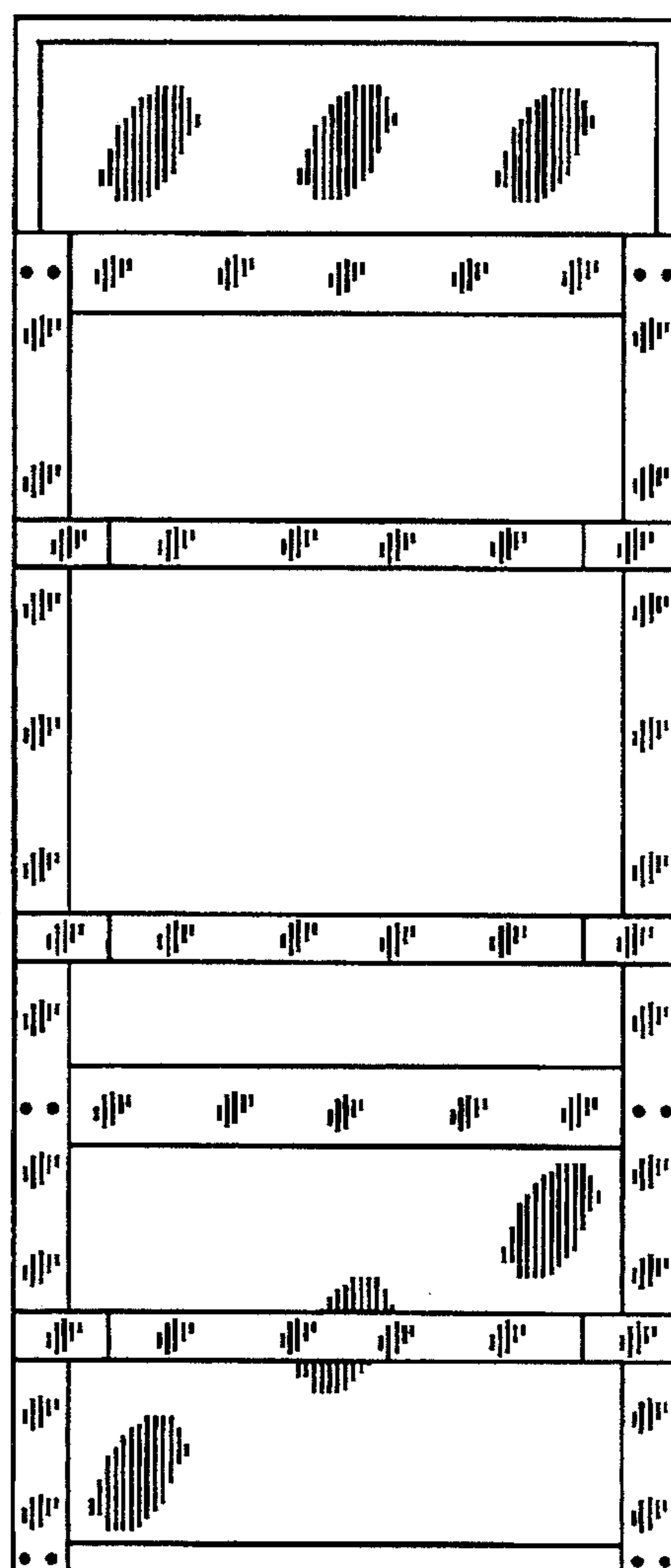


FIG. 5

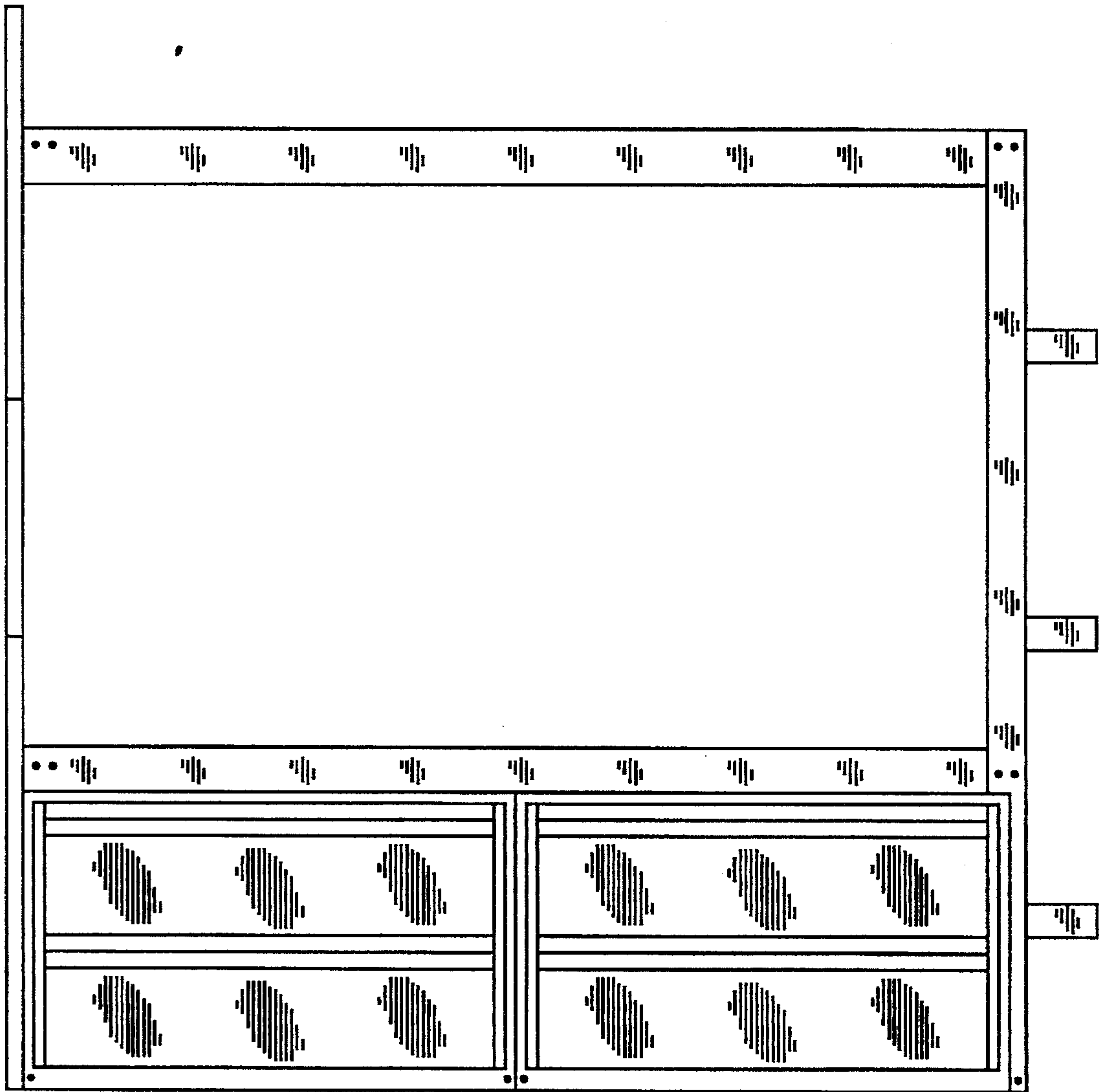


FIG. 4