



US00D379874S

United States Patent [19]

Stirling et al.

[11] Patent Number: Des. 379,874

[45] Date of Patent: **Jun. 17, 1997

[54] **COMBINED BOWLING BALL RACK AND TABLE WITH SEATING**

[75] Inventors: **Michael F. Stirling; Michael J. Katje**, both of Spring Lake, Mich.

[73] Assignee: **Brunswick Bowling & Billiards Corporation**, Muskegon, Mich.

[**] Term: **14 Years**

[21] Appl. No.: **50,299**

[22] Filed: **Feb. 15, 1996**

Related U.S. Application Data

[62] Division of Ser. No. 33,090, Jan. 5, 1995.

[51] LOC (6) Cl. **06-01**

[52] U.S. Cl. **D6/338; D6/335; D6/336; D6/397; D6/465; D6/552; D21/233**

[58] Field of Search **D25/58; D21/233; 108/50, 59, 92, 93, 150; D6/329, 335, 336, 396, 397, 411, 414, 462, 464, 465, 474, 475, 480, 481, 552, 584, 629, 332, 338, 364; 297/135, 137, 142**

[56] References Cited

U.S. PATENT DOCUMENTS

D. 90,056	5/1933	Travers	D6/338
D. 109,228	4/1938	Morgan	D6/338
D. 129,594	10/1941	Reiss	D21/233
D. 189,536	1/1961	Dreyfuss	D21/233
D. 191,790	11/1961	Schaefer	34/5
D. 191,791	11/1961	Knoves	D6/336
D. 193,791	10/1962	Konves	34/5
D. 212,482	10/1968	Lum et al.	D6/465
D. 216,724	3/1970	Sherman	D6/338

D. 252,058	6/1979	Patterson	D6/338
D. 276,388	11/1984	Miller et al.	D6/548
D. 313,715	1/1991	Ohno	6/552
D. 314,110	1/1991	Ohno	6/552
D. 314,111	1/1991	Ohno	6/552
D. 326,191	5/1992	Schiffman	D6/338
1,256,999	5/1918	Cusanelli	297/142
1,863,597	6/1932	Handelan	108/92
2,719,771	10/1955	Hoven et al.	108/150
3,262,733	7/1966	Black et al.	297/142
3,486,790	12/1969	Barecki et al.	297/142
3,532,225	10/1970	Reed	D6/335
3,709,555	1/1973	Ostertag	297/142

FOREIGN PATENT DOCUMENTS

2109486 9/1972 Germany .

Primary Examiner—Louis S. Zarfaz

Assistant Examiner—Greg Andoll

Attorney, Agent, or Firm—Price, Heneveld, Cooper, DeWitt and Litton

[57] CLAIM

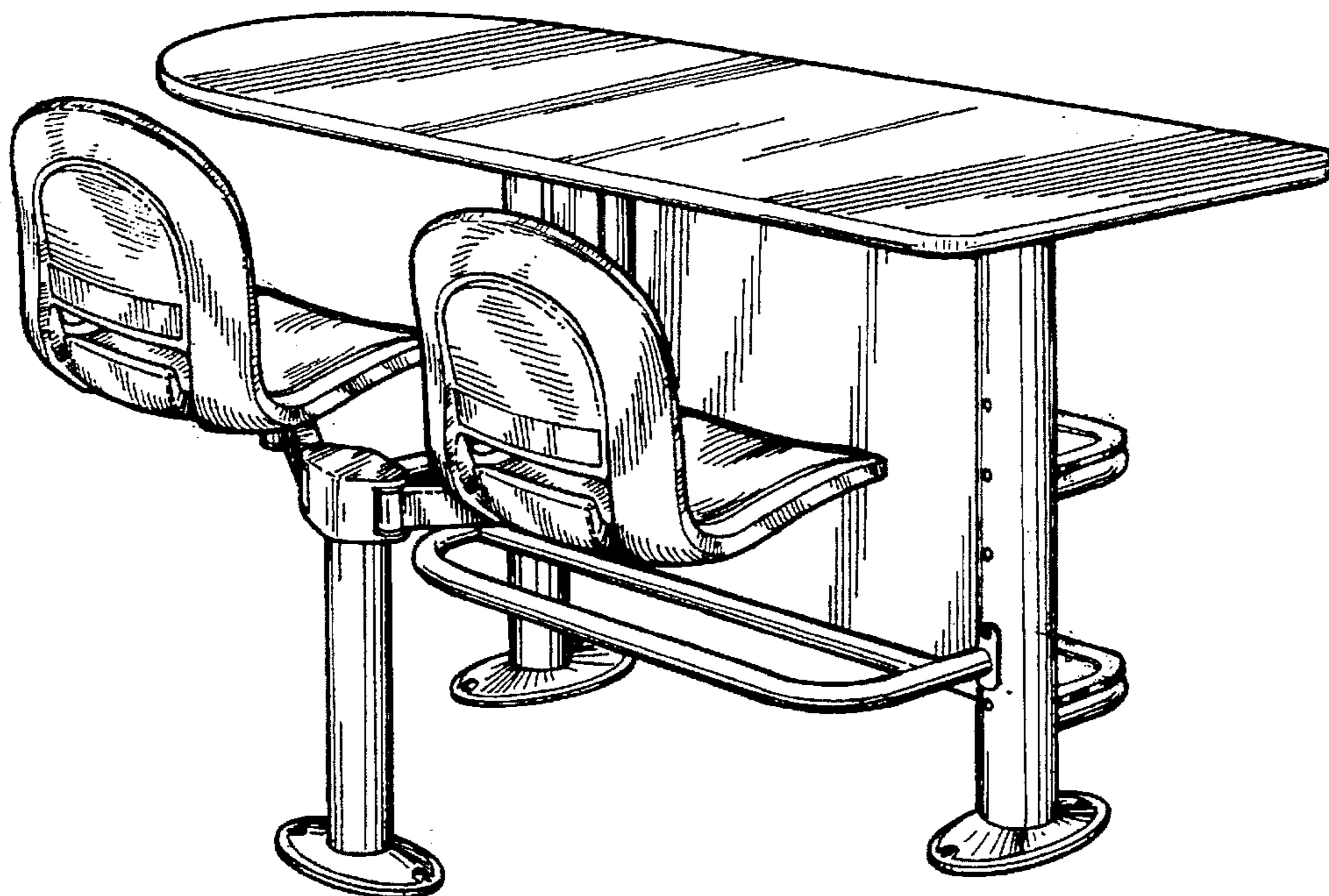
The ornamental design for the combined bowling ball rack and table with seating, as shown and described.

DESCRIPTION

FIG. 1 is a front perspective view of a bowling center modular wall showing our new design; FIG. 2 is a top plan view thereof; FIG. 3 is a rear elevation view thereof; FIG. 4 is a front elevation view thereof; and, FIG. 5 is a left end elevation view thereof.

The bottom of the combined bowling ball rack and table with seating is plain and unornamented and forms no part of the claimed design.

1 Claim, 3 Drawing Sheets



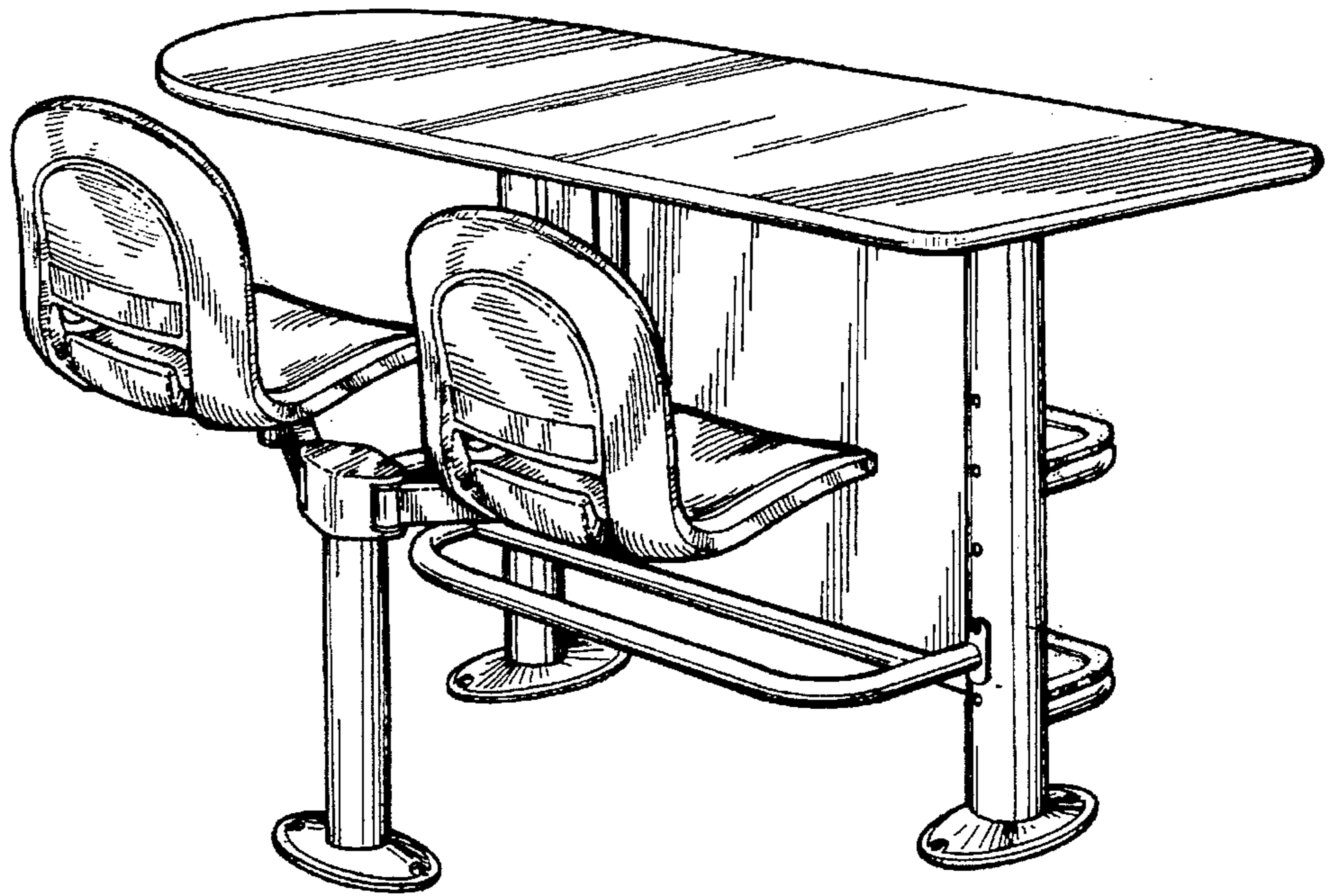


FIG. 1

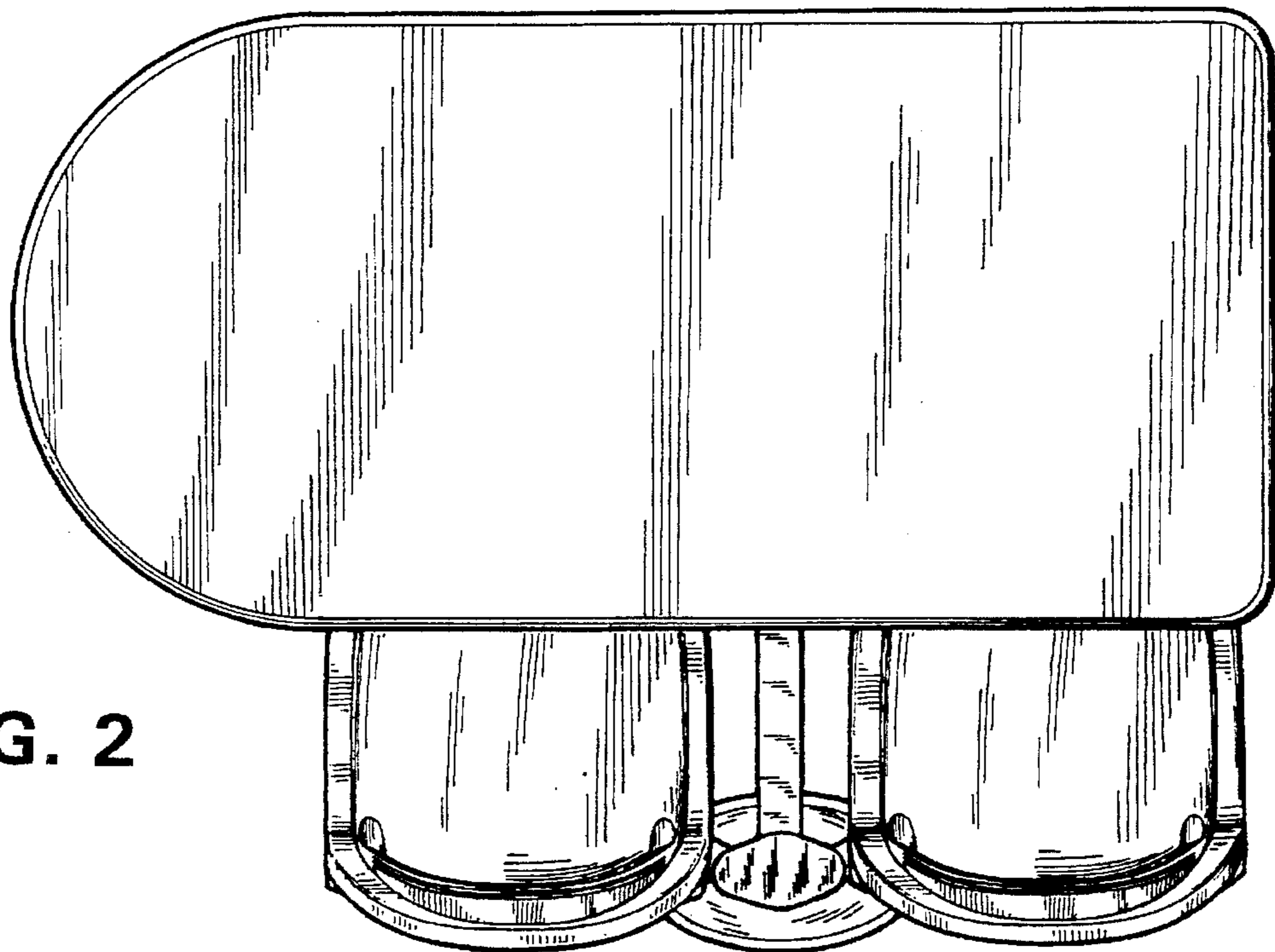


FIG. 2

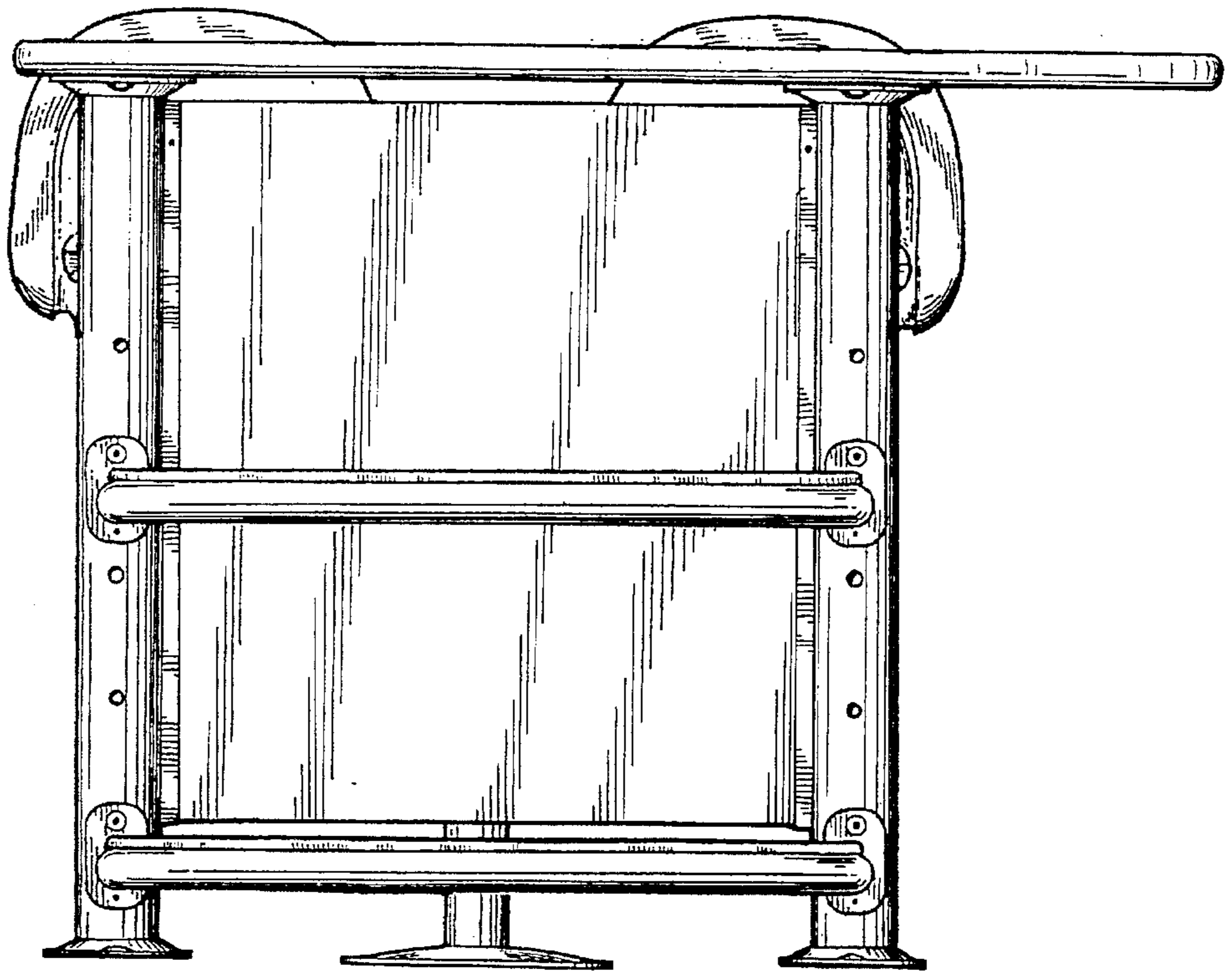


FIG. 3

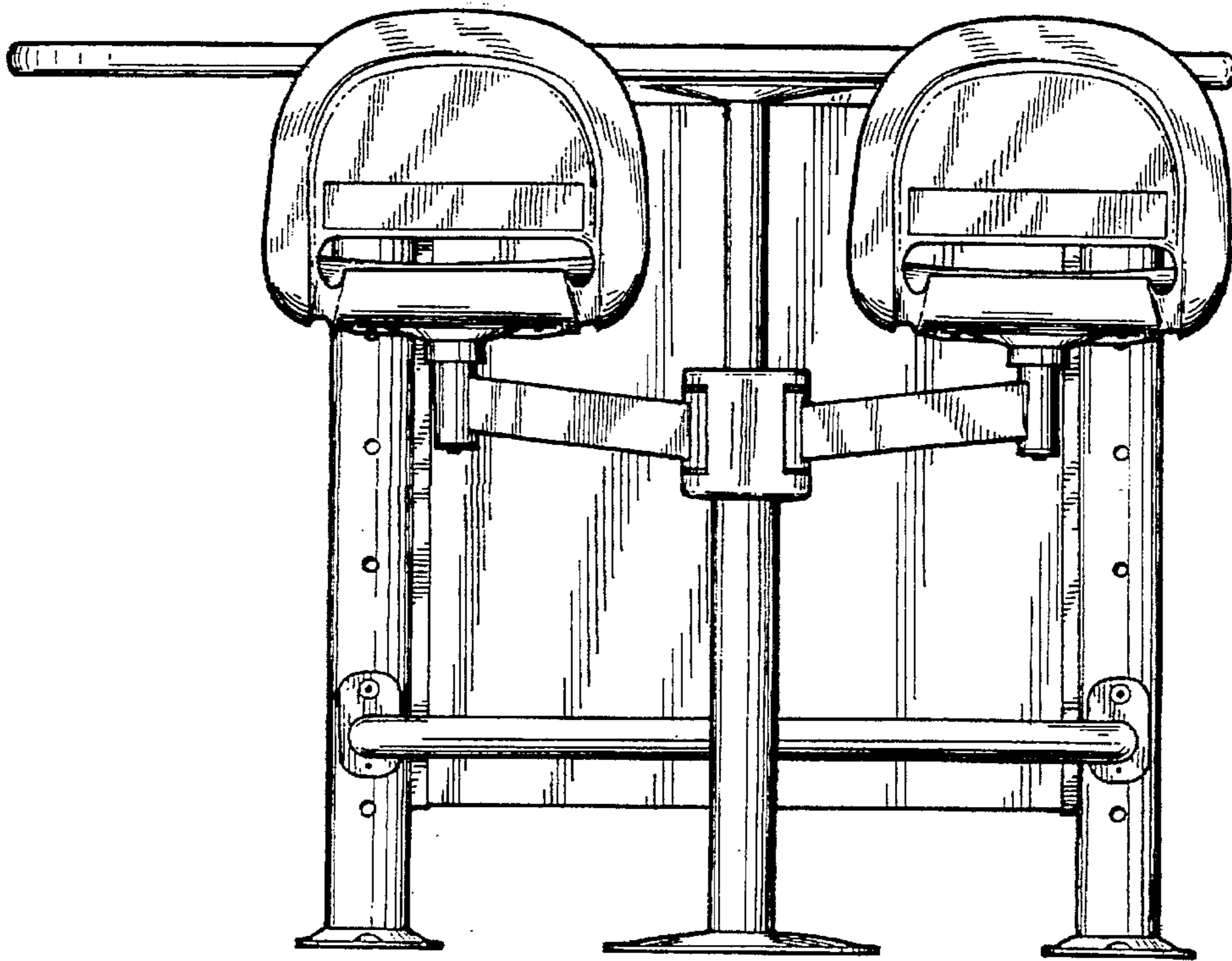


FIG. 4

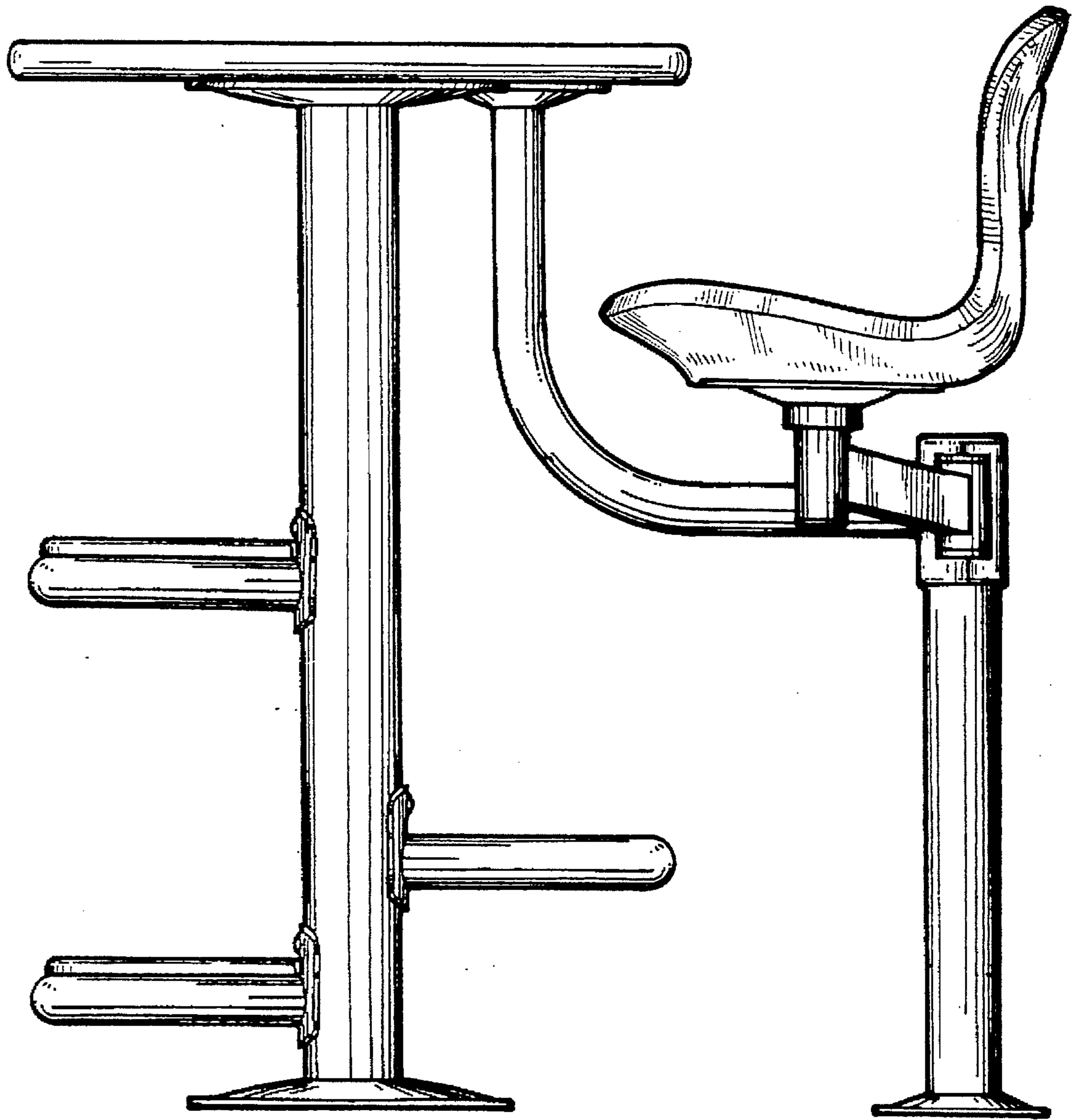


FIG. 5