



US00D379873S

United States Patent [19]
Plath

[11] **Patent Number: Des. 379,873**
[45] **Date of Patent: **Jun. 17, 1997**

[54] **SUITCASE CONNECTOR CLIP**
[75] **Inventor: Robert V. Plath, Deerfield Beach, Fla.**
[73] **Assignee: Eiffel Design, Inc., Boca Raton, Fla.**
[**] **Term: 14 Years**
[21] **Appl. No.: 35,542**
[22] **Filed: Mar. 1, 1995**

4,924,557 5/1990 Heckerman et al. 24/16 PB
5,353,441 10/1994 Lazorchar 24/265 X

FOREIGN PATENT DOCUMENTS

2686782 8/1993 France 190/119

Primary Examiner—Paula A. Mortimer
Attorney, Agent, or Firm—Malin, Haley, DiMaggio & Crosby, P.A.

[51] **LOC (6) Cl. 03-99**
[52] **U.S. Cl. D3/318; D3/273**
[58] **Field of Search D8/382; D3/201, D3/202, 203, 204, 206, 213, 214, 215, 216, 259, 269, 272, 273, 274, 276, 287, 293, 315, 318; D11/200; 24/16 PB, 265 R; 190/117, 118, 119, 123**

[57] **CLAIM**

The ornamental design for a suitcase connector clip, as shown and described.

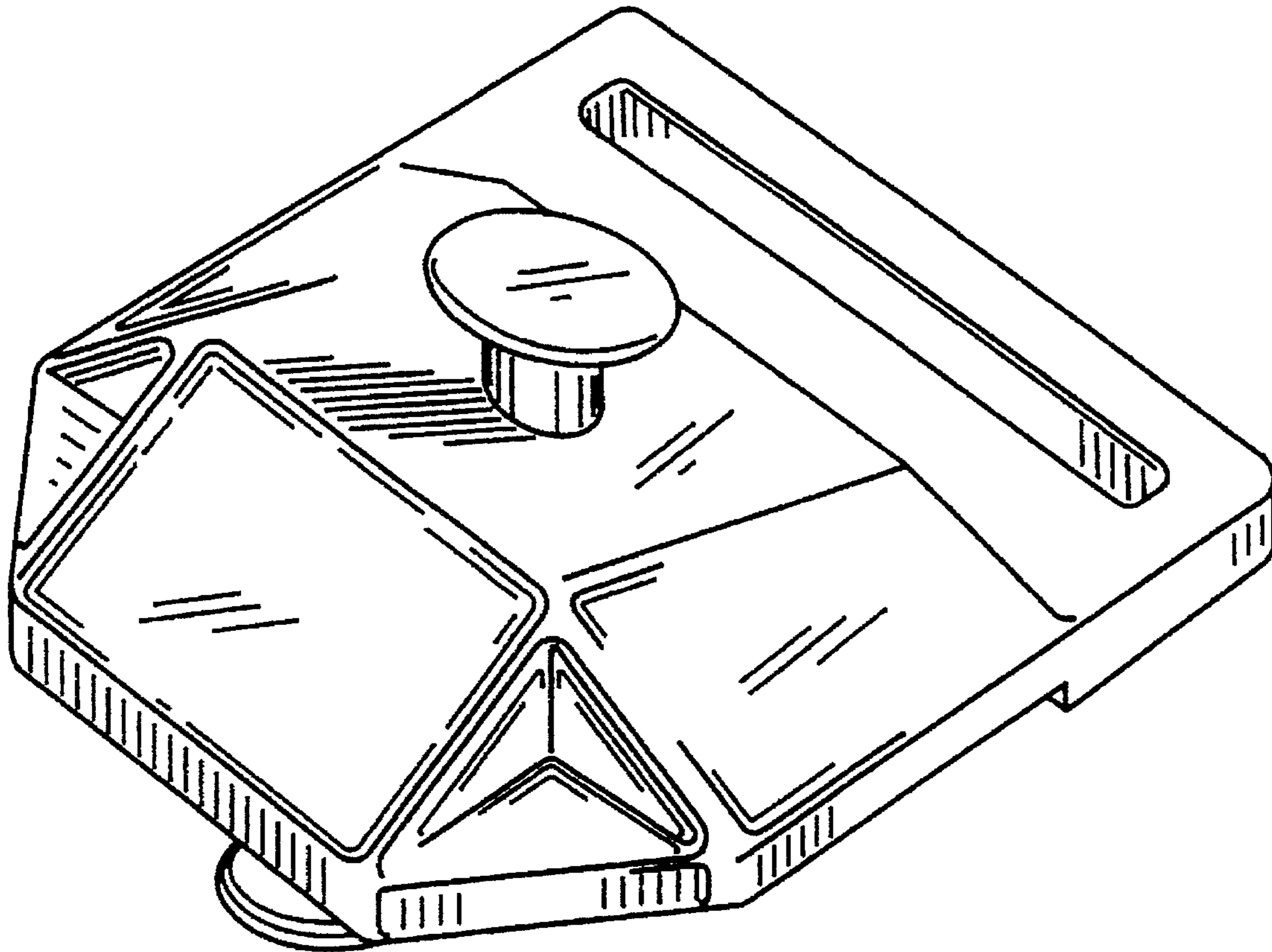
DESCRIPTION

FIG. 1 is a top perspective view of a suitcase connector clip showing my new design;
FIG. 2 is a bottom plan view thereof;
FIG. 3 is a top plan view thereof;
FIG. 4 is a left side elevational view thereof;
FIG. 5 is a front elevational view thereof;
FIG. 6 is right elevational view thereof; and,
FIG. 7 is a rear elevational view thereof.

[56] **References Cited**
U.S. PATENT DOCUMENTS

1,110,154 9/1914 Steinberg 24/561 X
2,063,429 12/1936 Gordon D11/200 X
3,096,553 7/1963 Gould 24/265 R X

1 Claim, 2 Drawing Sheets



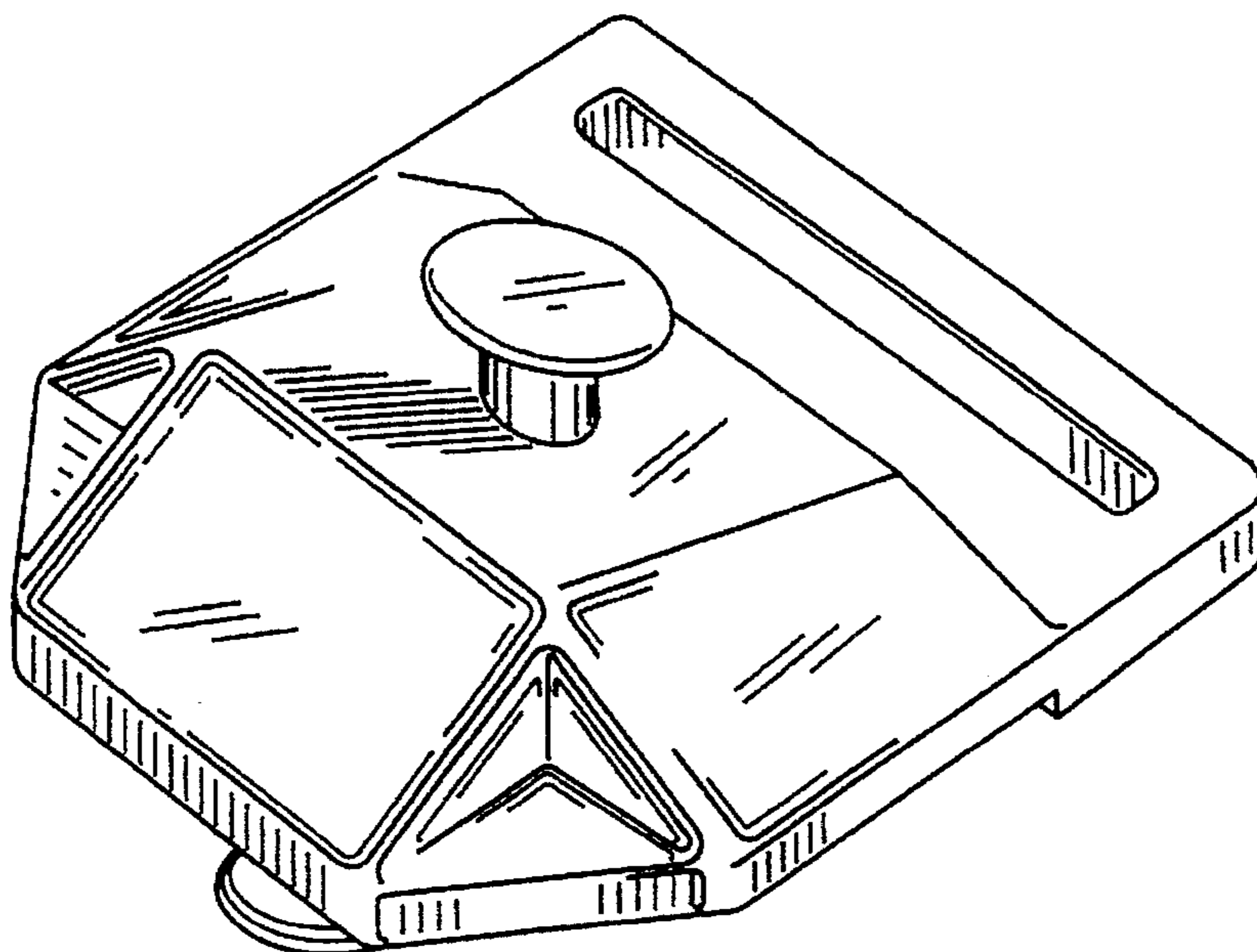


Fig. 1

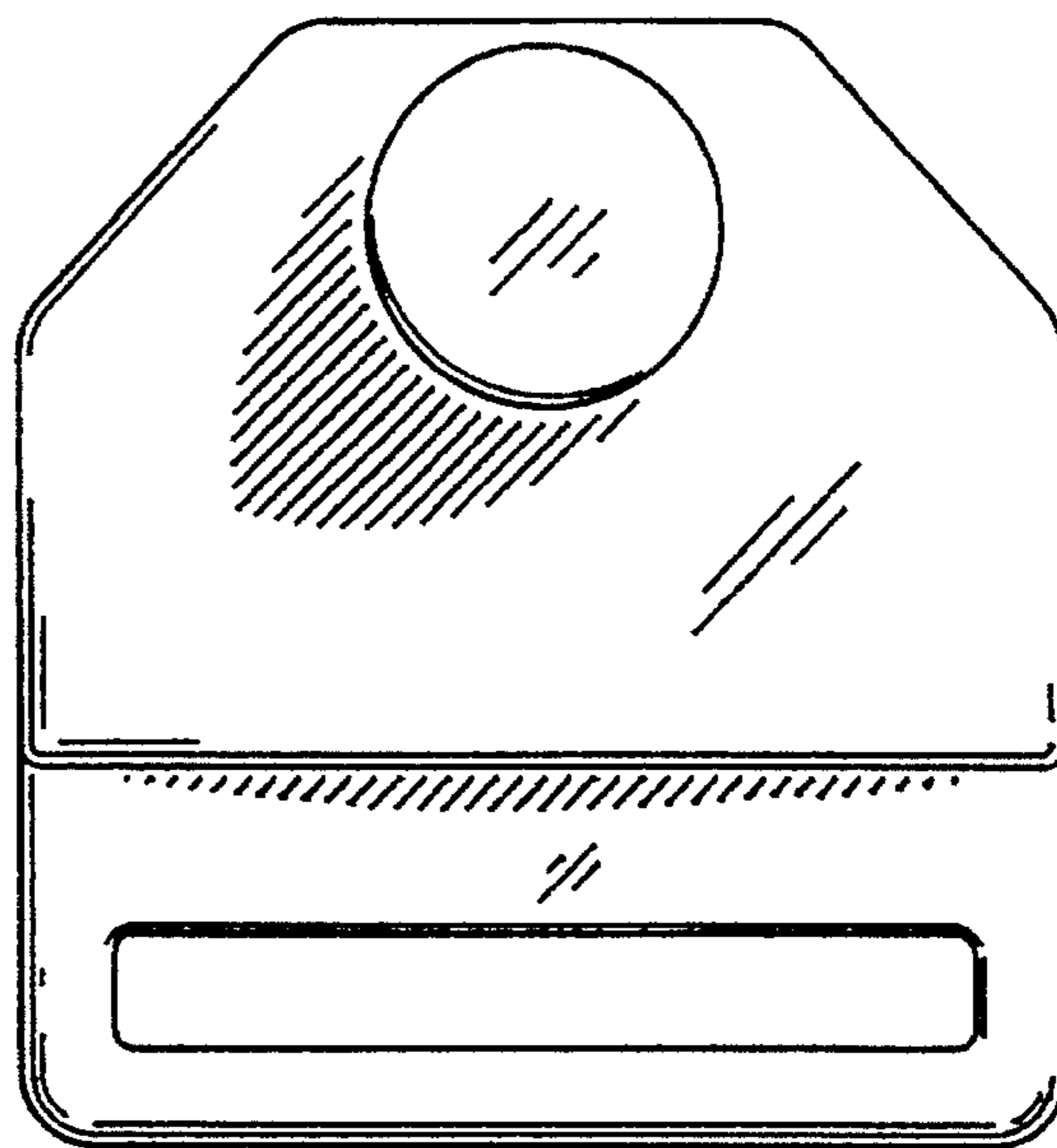


Fig. 2

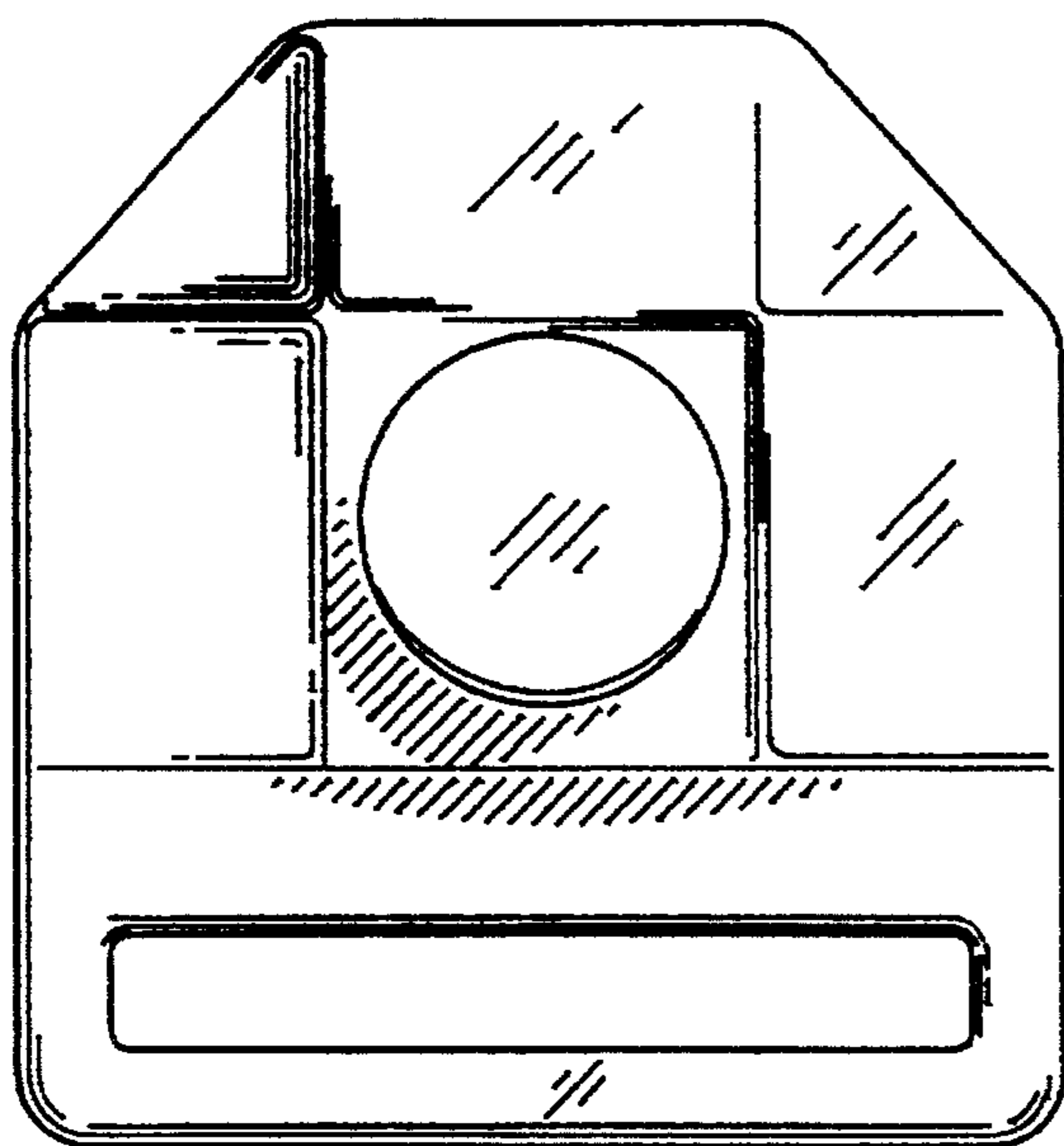


Fig. 3

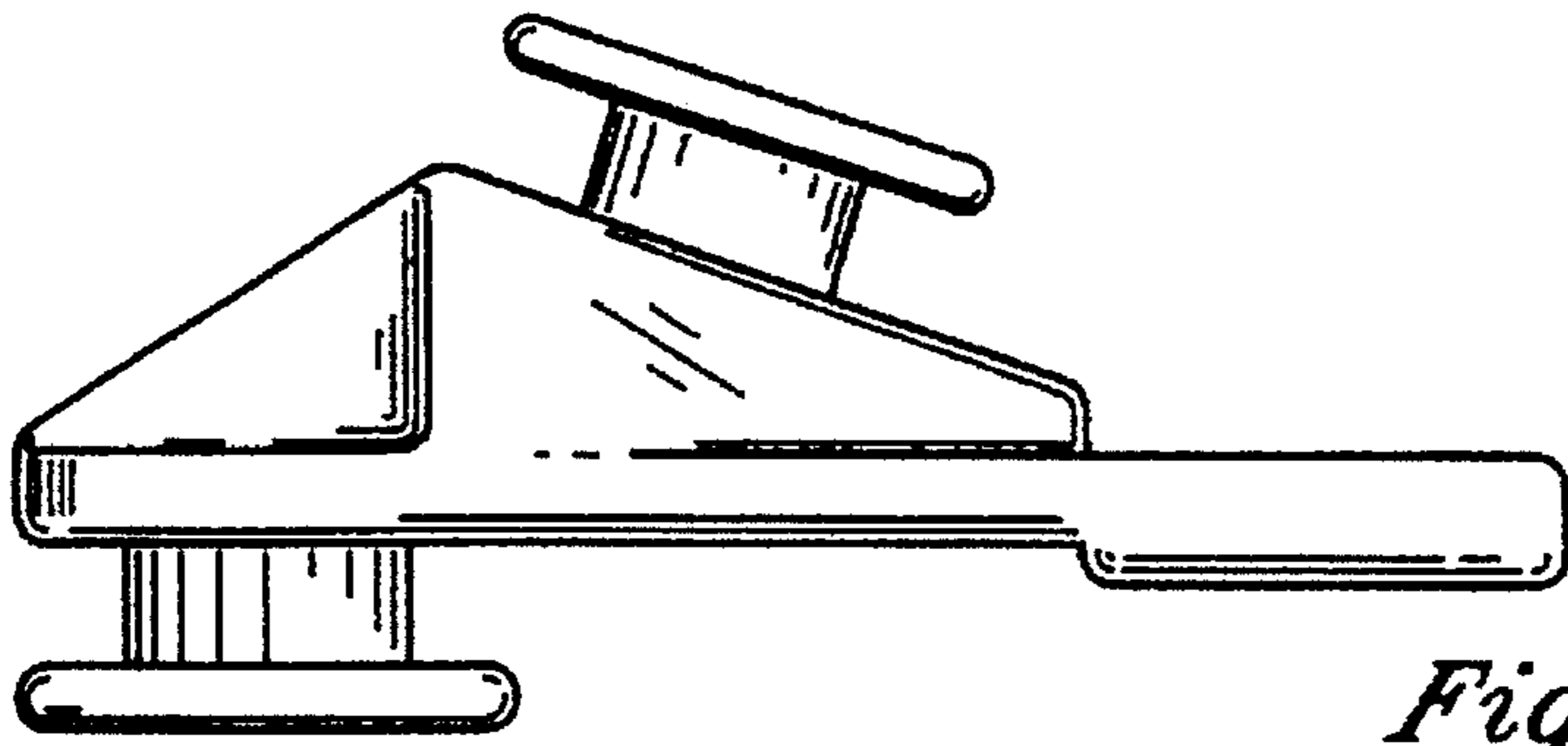


Fig. 4

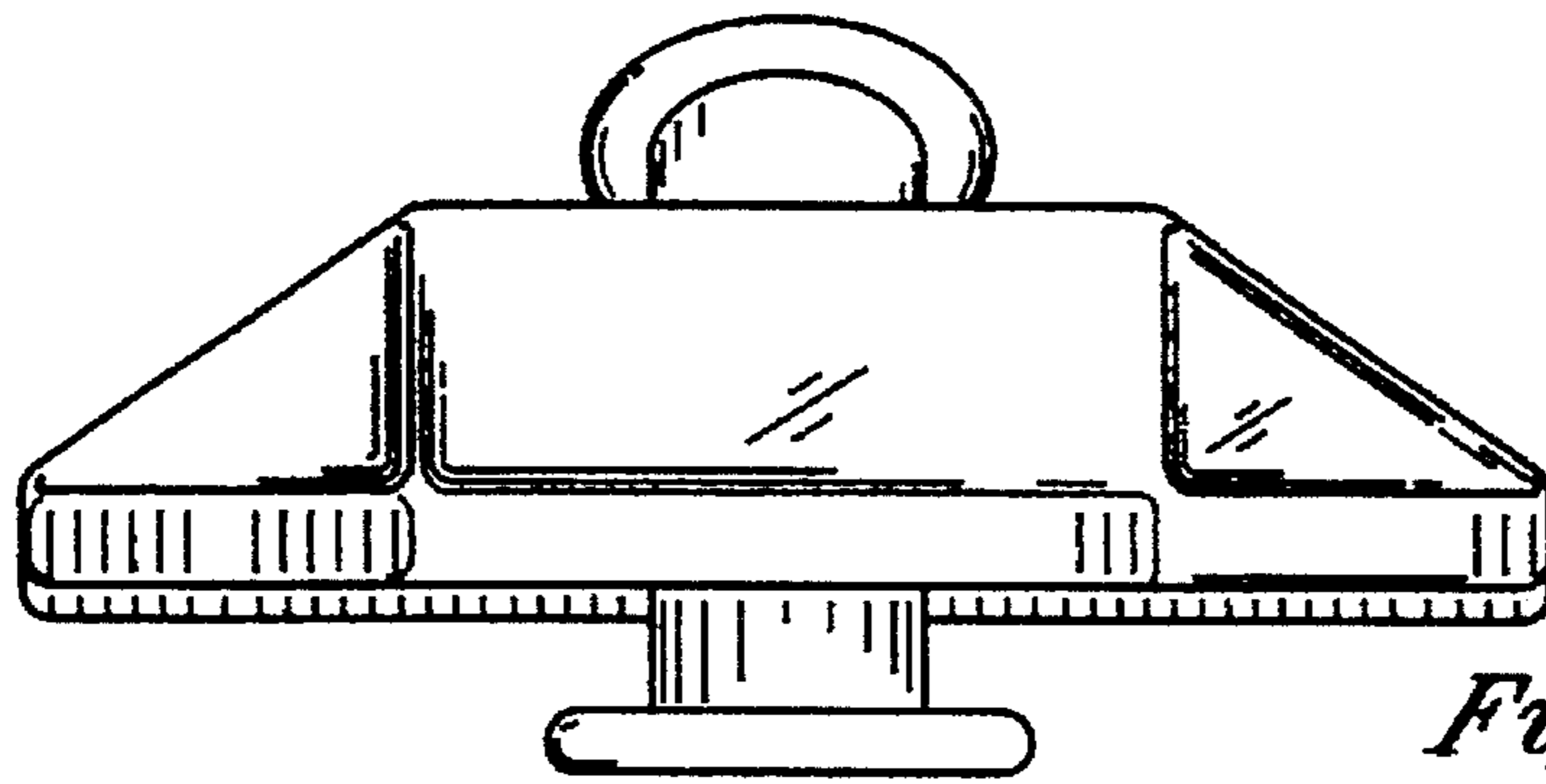


Fig. 5

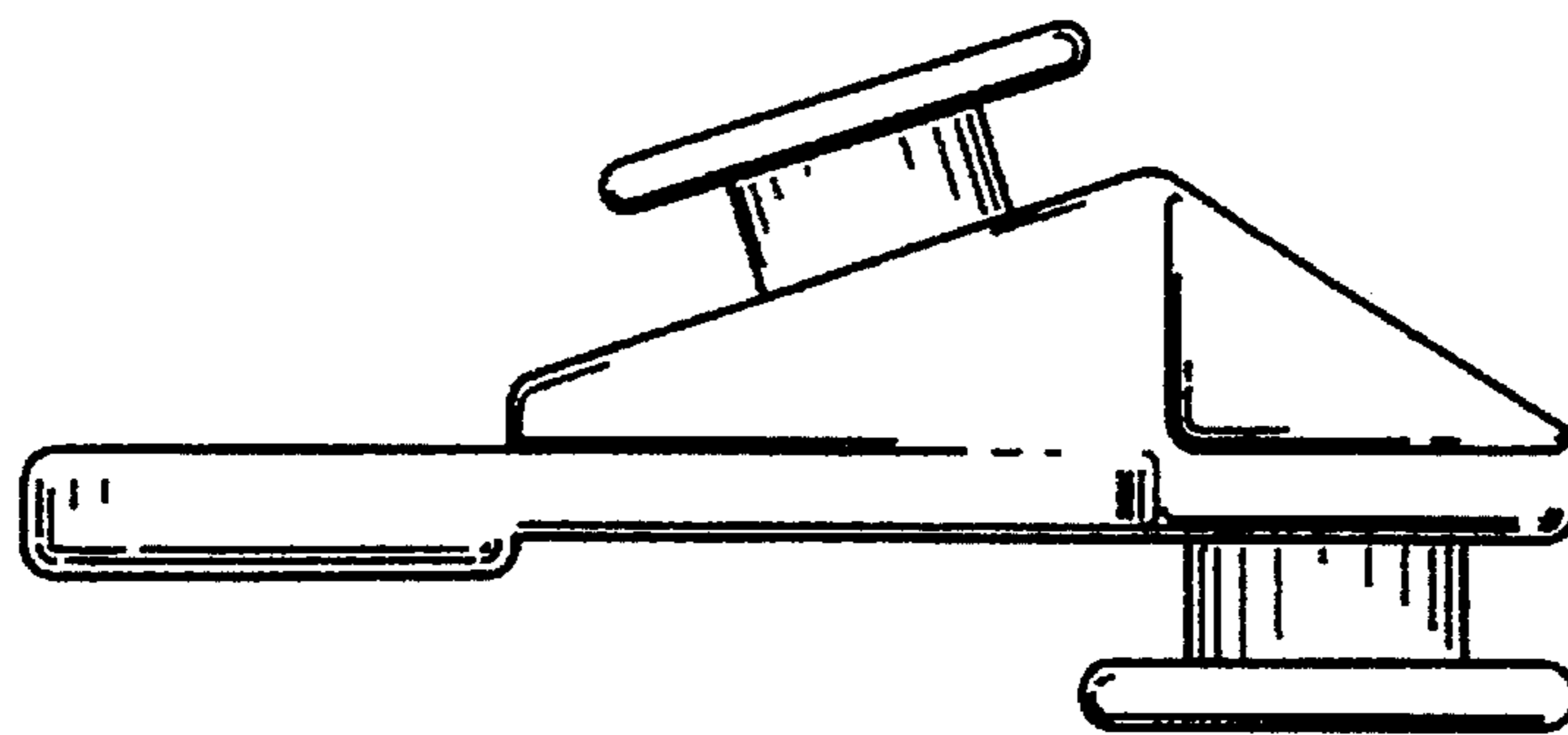


Fig. 6

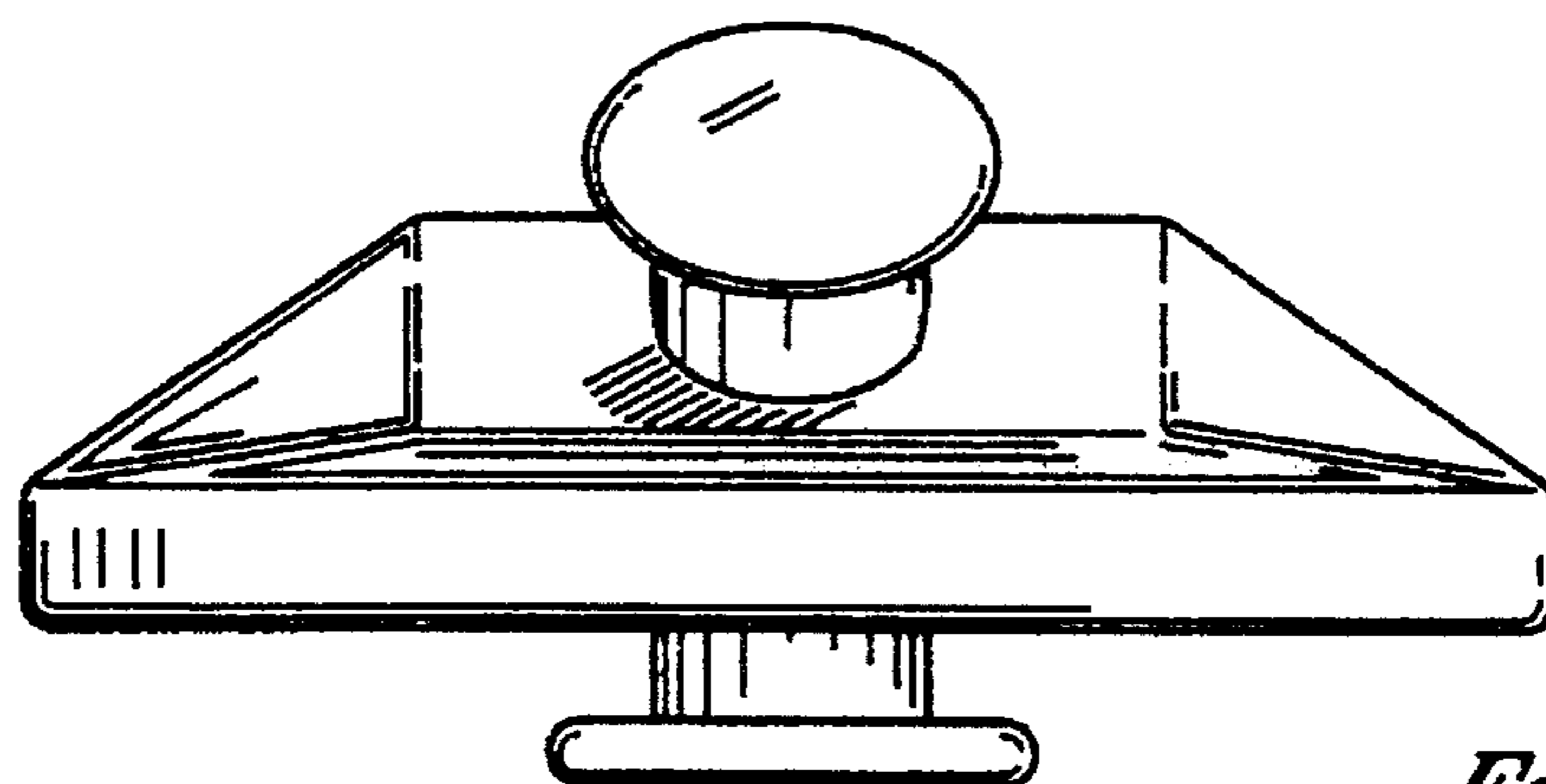


Fig. 7