



US00D379851S

# United States Patent [19] Mathison

[11] Patent Number: Des. 379,851

[45] Date of Patent: \*\*Jun. 10, 1997

[54] EXTERNAL SEALING CAP FOR PIPES

[75] Inventor: Allen D. Mathison, Richfield, Minn.

[73] Assignee: Cherne Industries Incorporated,  
Minneapolis, Minn.

[\*\*] Term: 14 Years

[21] Appl. No.: 53,041

[22] Filed: Apr. 12, 1996

[51] LOC (6) Cl. .... 09-07

[52] U.S. Cl. .... D23/260

[58] Field of Search ..... D23/265, 266,  
D23/269; 138/96 T, 96 R, 89; 220/295,  
293, DIG. 33

### [56] References Cited

#### U.S. PATENT DOCUMENTS

D. 223,156	3/1972	Aoroto	.....	D23/260
D. 257,057	9/1980	Logsdon	.....	D23/260
D. 281,350	11/1985	Heier	.....	D23/260
D. 311,056	10/1990	Patterson	.....	D23/260
3,525,366	8/1970	De Frees	.....	138/96 T X
3,713,463	1/1973	Bywater, Jr.	.....	138/89
4,139,005	2/1979	Dickey	.....	138/89
4,269,232	5/1981	Witschi	.....	138/96

#### OTHER PUBLICATIONS

Cherne Industries Incorporated, Test-Kap, 1995, p. 1.  
Jim-Cap Company, Inc., Jim Cap Thin Wall Sewer Pipe,  
1978., pp. 1,2.

Primary Examiner—Louis S. Zarfes  
Assistant Examiner—Eric Watterson  
Attorney, Agent, or Firm—Anthony G. Eggink

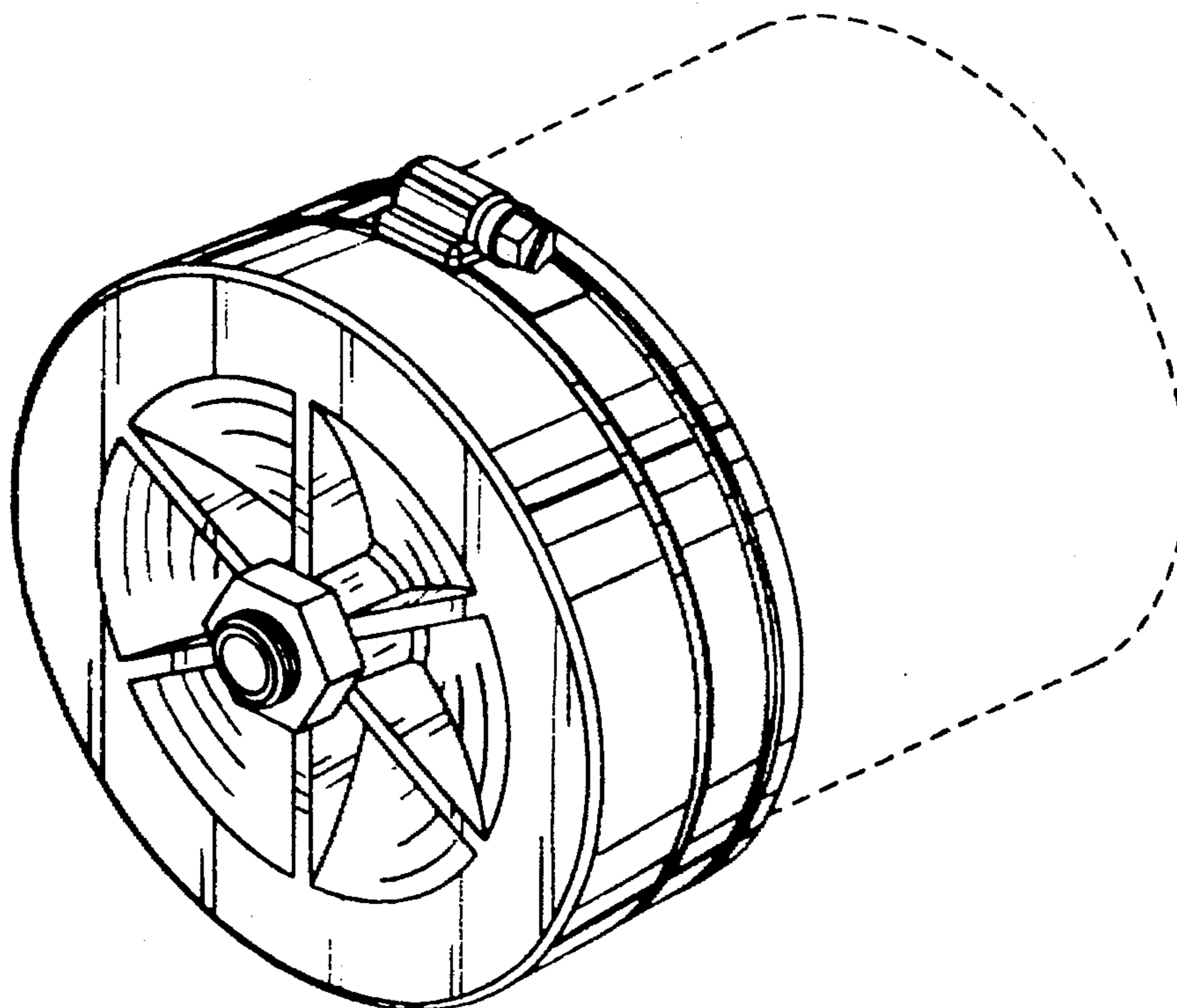
### [57] CLAIM

The ornamental design for an external sealing cap for pipes,  
as shown and described.

### DESCRIPTION

FIG. 1 is a top view of an external sealing cap for pipes,  
showing my new design;  
FIG. 2 is a side view, the opposite side being a mirror image  
thereof excluding the slotted head of the bolt element;  
FIG. 3 is a top perspective view thereof;  
FIG. 4 is a top view of an alternate embodiment of an  
external sealing cap for pipes;  
FIG. 5 is a side view, the opposite side being identical  
excluding the bolt element;  
FIG. 6 is a top perspective view thereof;  
FIG. 7 is a bottom perspective view of the external sealing  
cap of FIG. 1 and showing the external sealing cap installed  
on a pipe;  
FIG. 8 is a bottom perspective view of the external sealing  
cap of FIG. 1;  
FIG. 9 is a bottom perspective view of the alternate embodi-  
ment of the external sealing cap of FIG. 4; and,  
FIG. 10 is a top perspective view thereof and showing the  
external sealing cap installed on a pipe.  
The dotted line representation of a pipe in FIGS. 7 and 10  
are for illustration purposes only and forms no part of the  
claimed design.

1 Claim, 2 Drawing Sheets



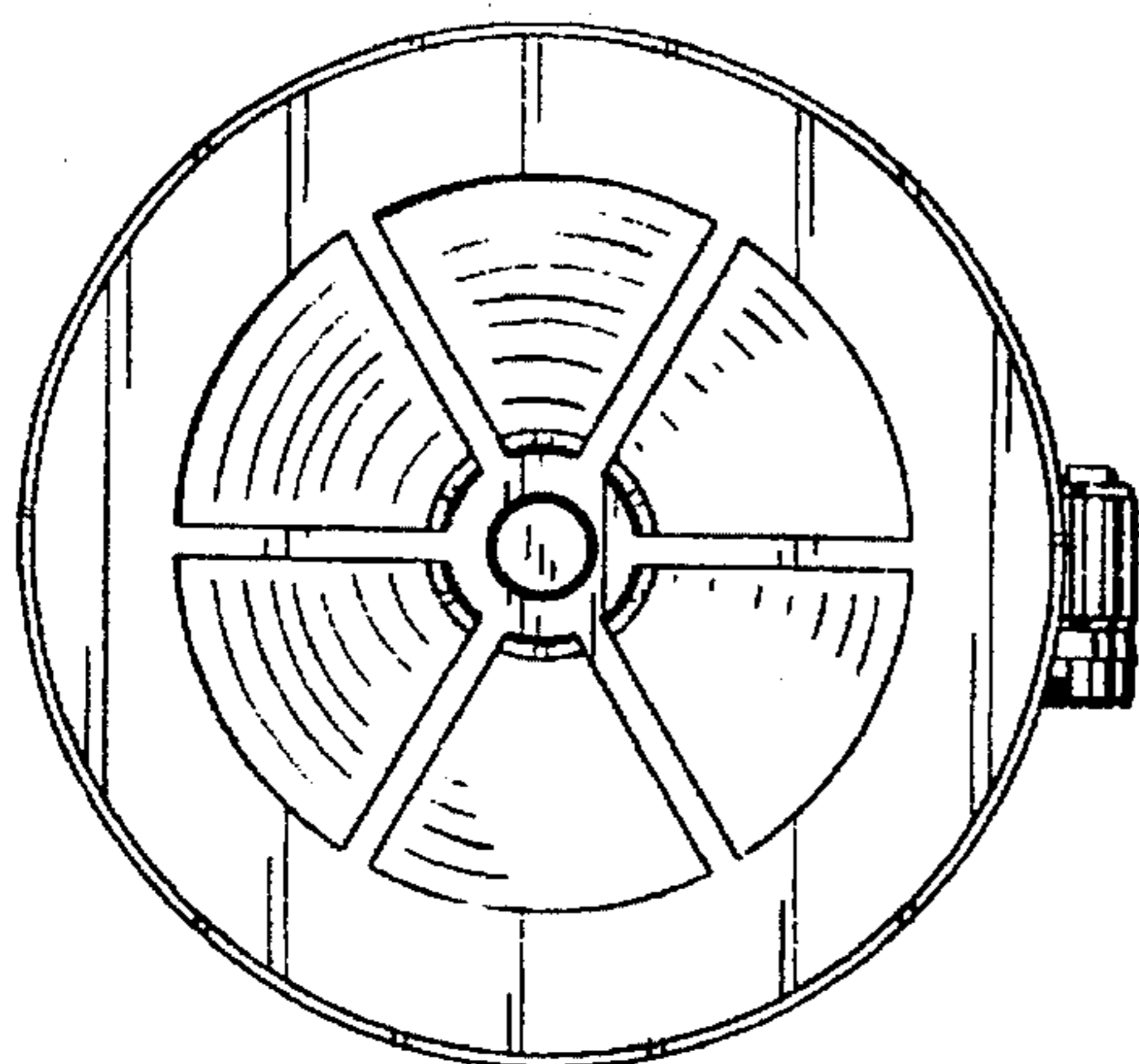


FIG. 1

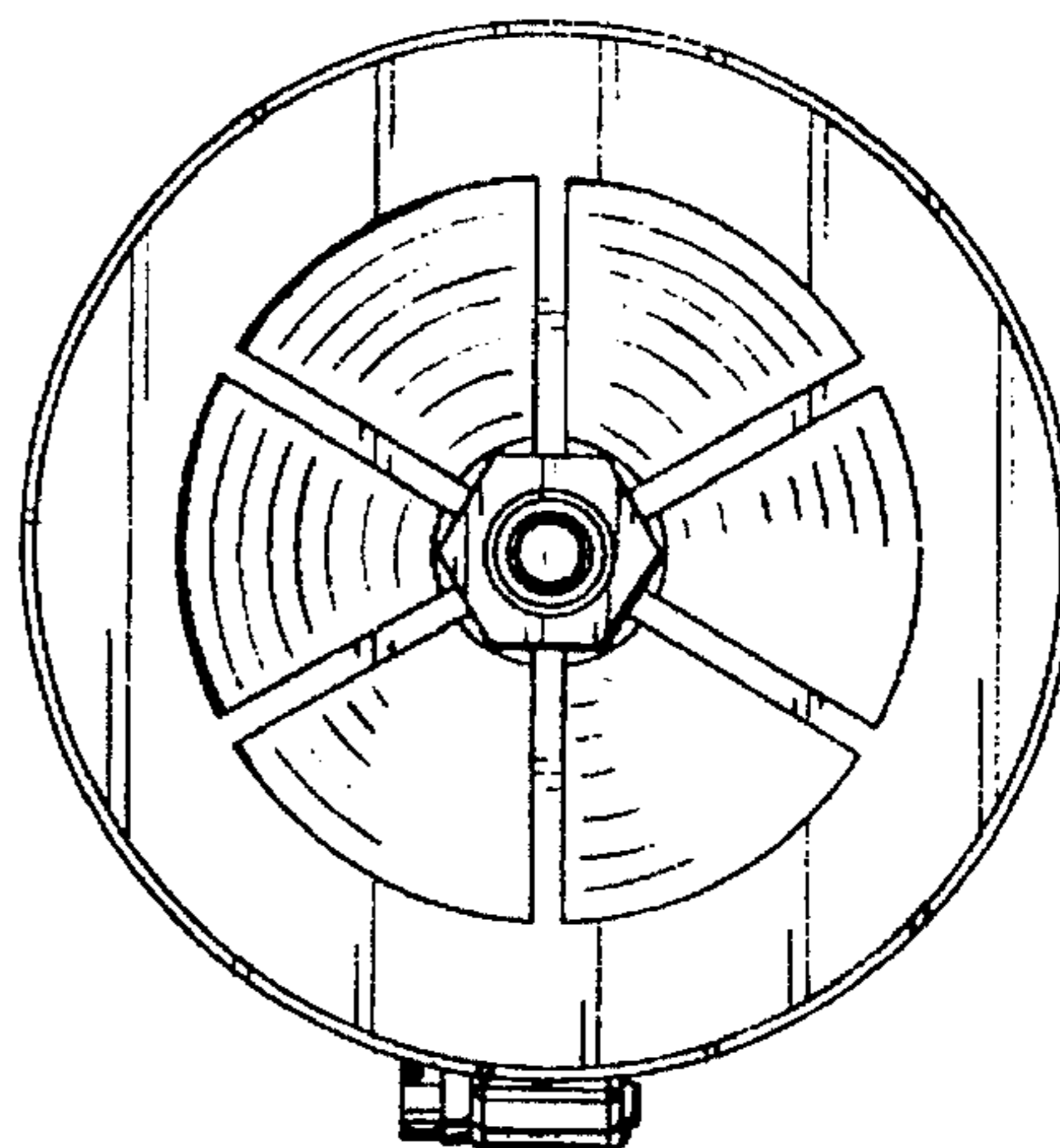


FIG. 4

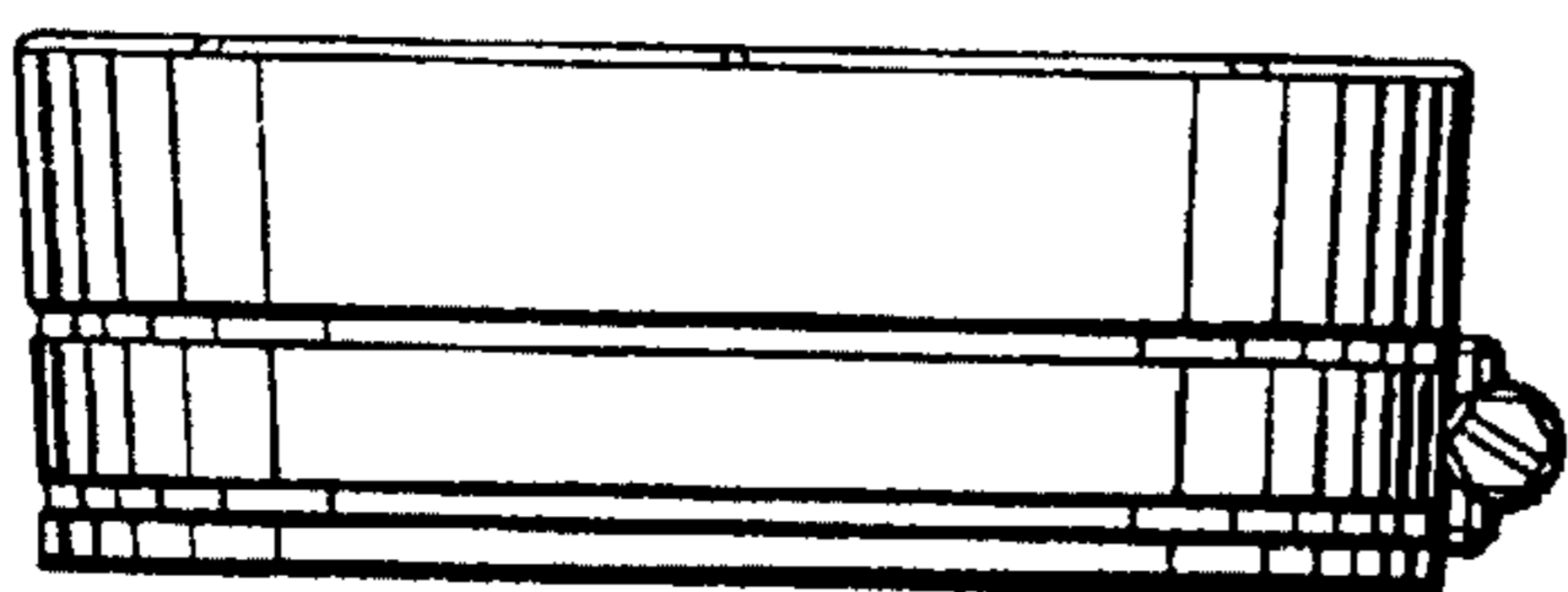


FIG. 2

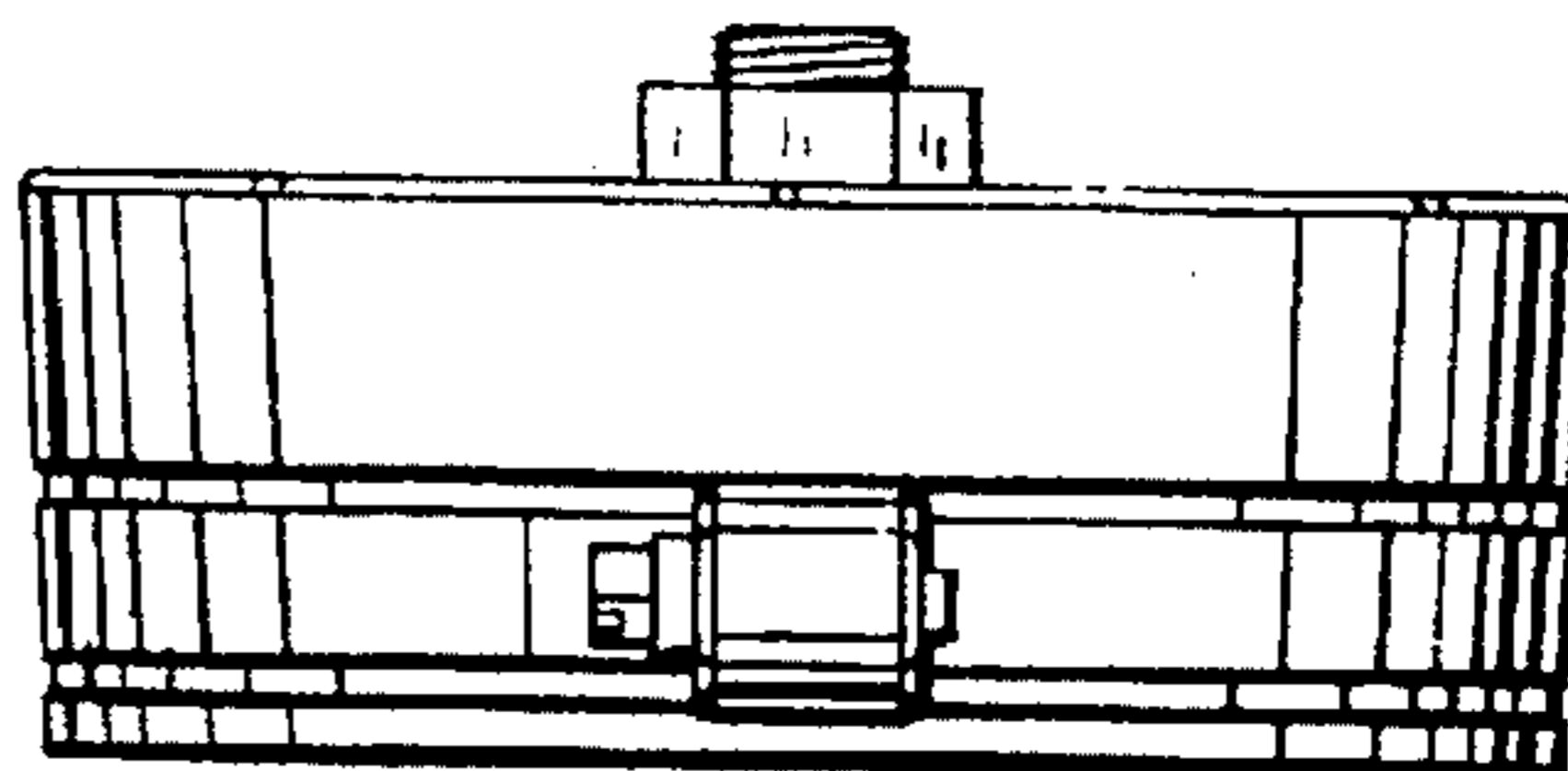


FIG. 5

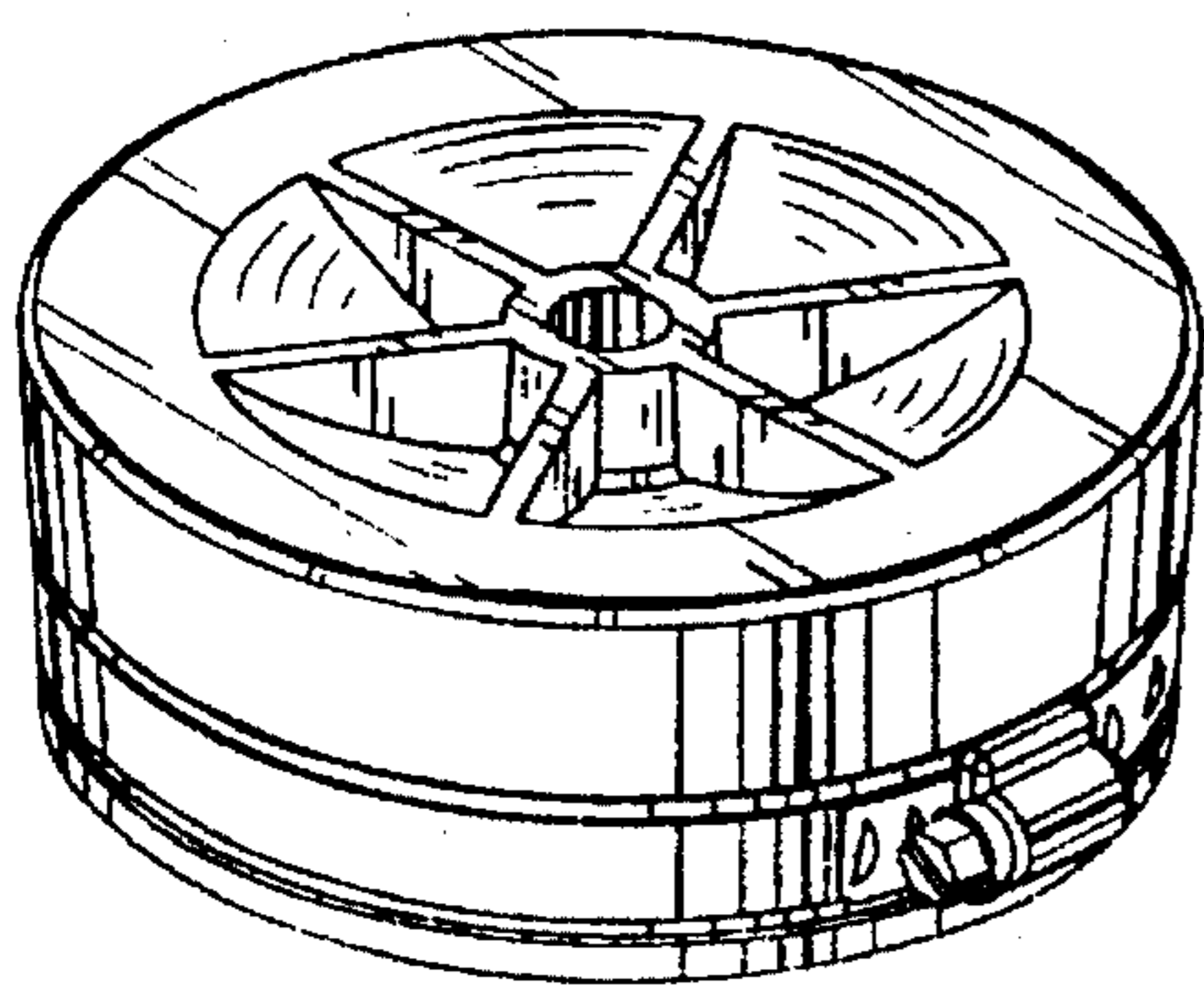


FIG. 3

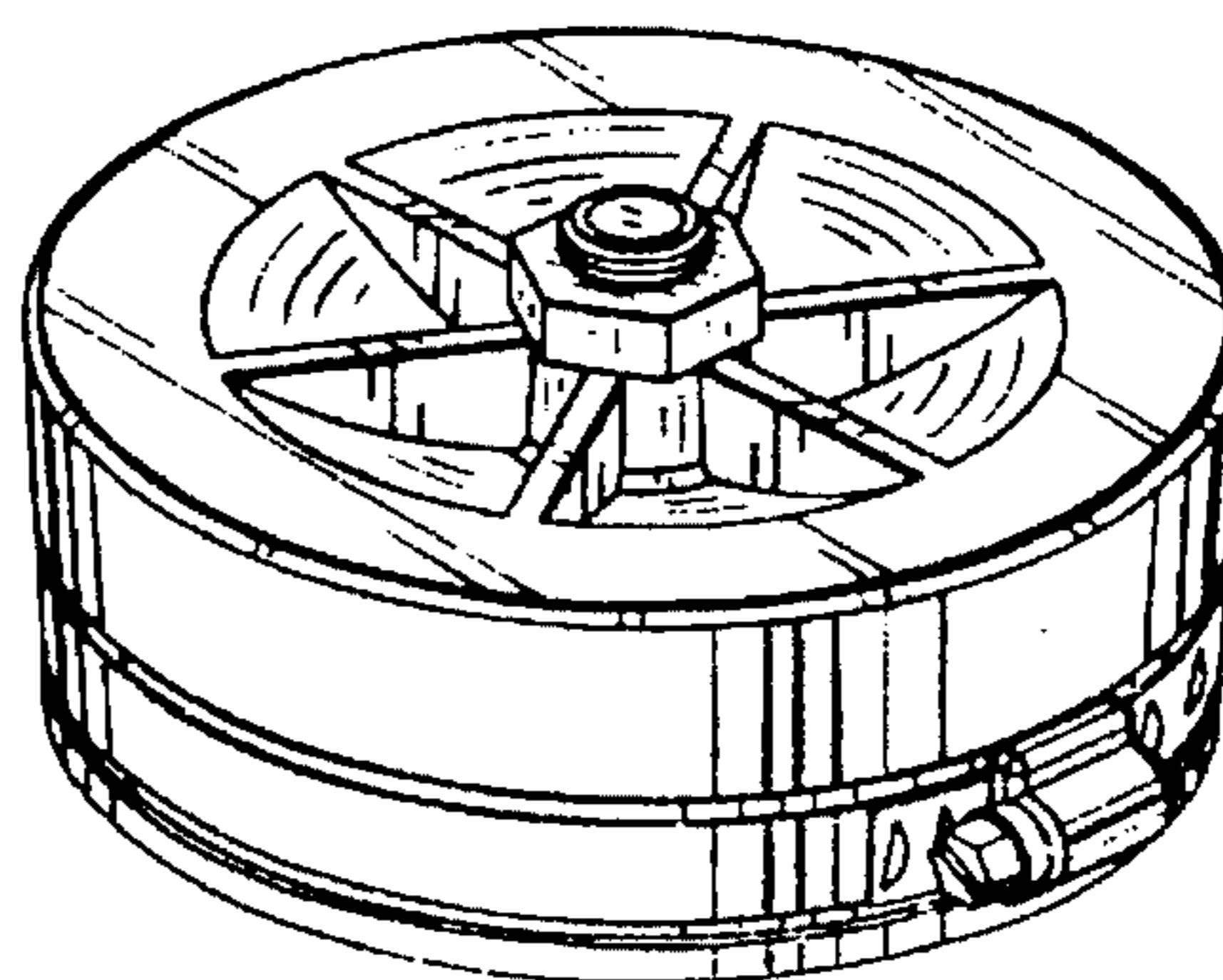


FIG. 6

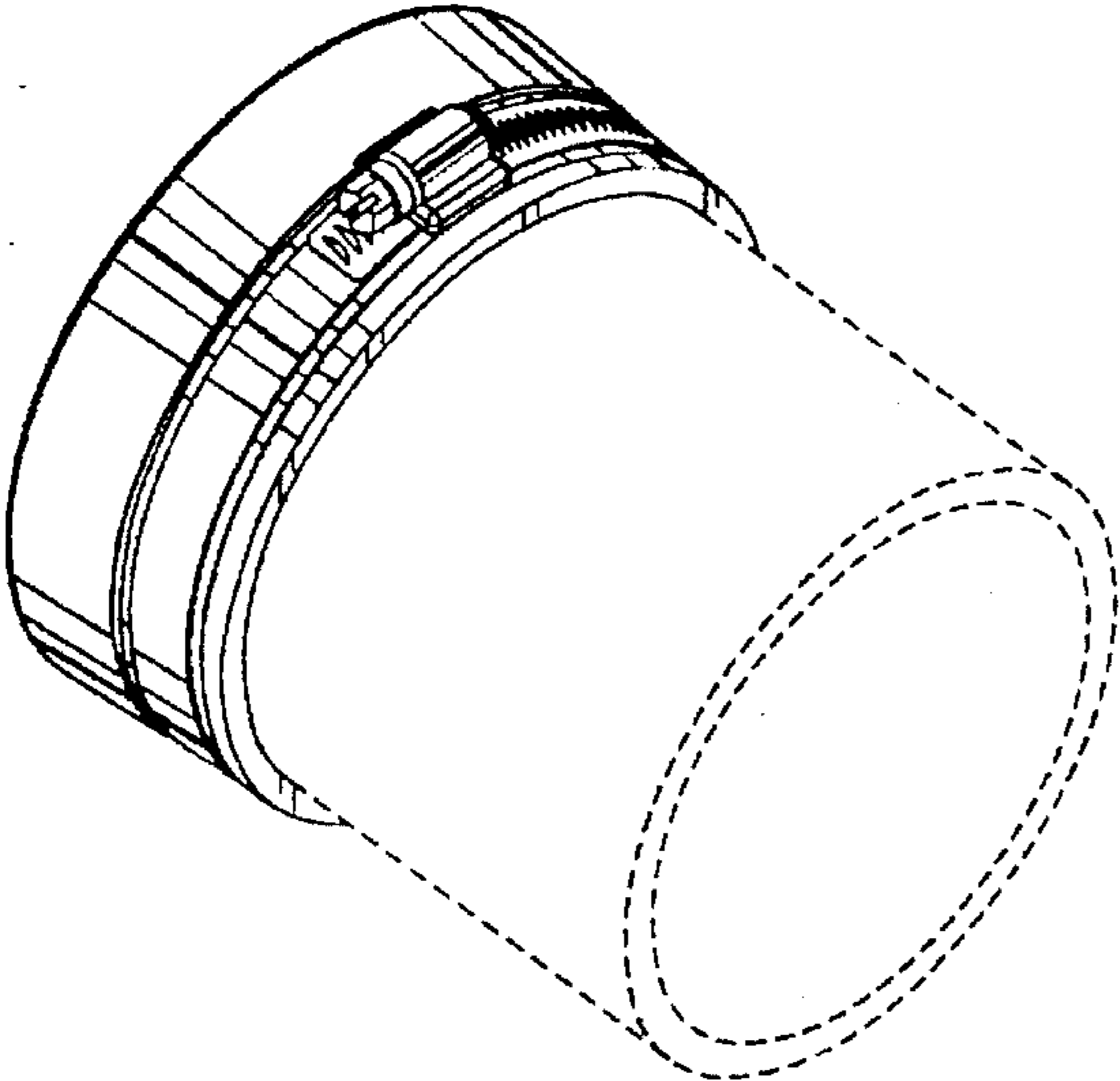


FIG. 7

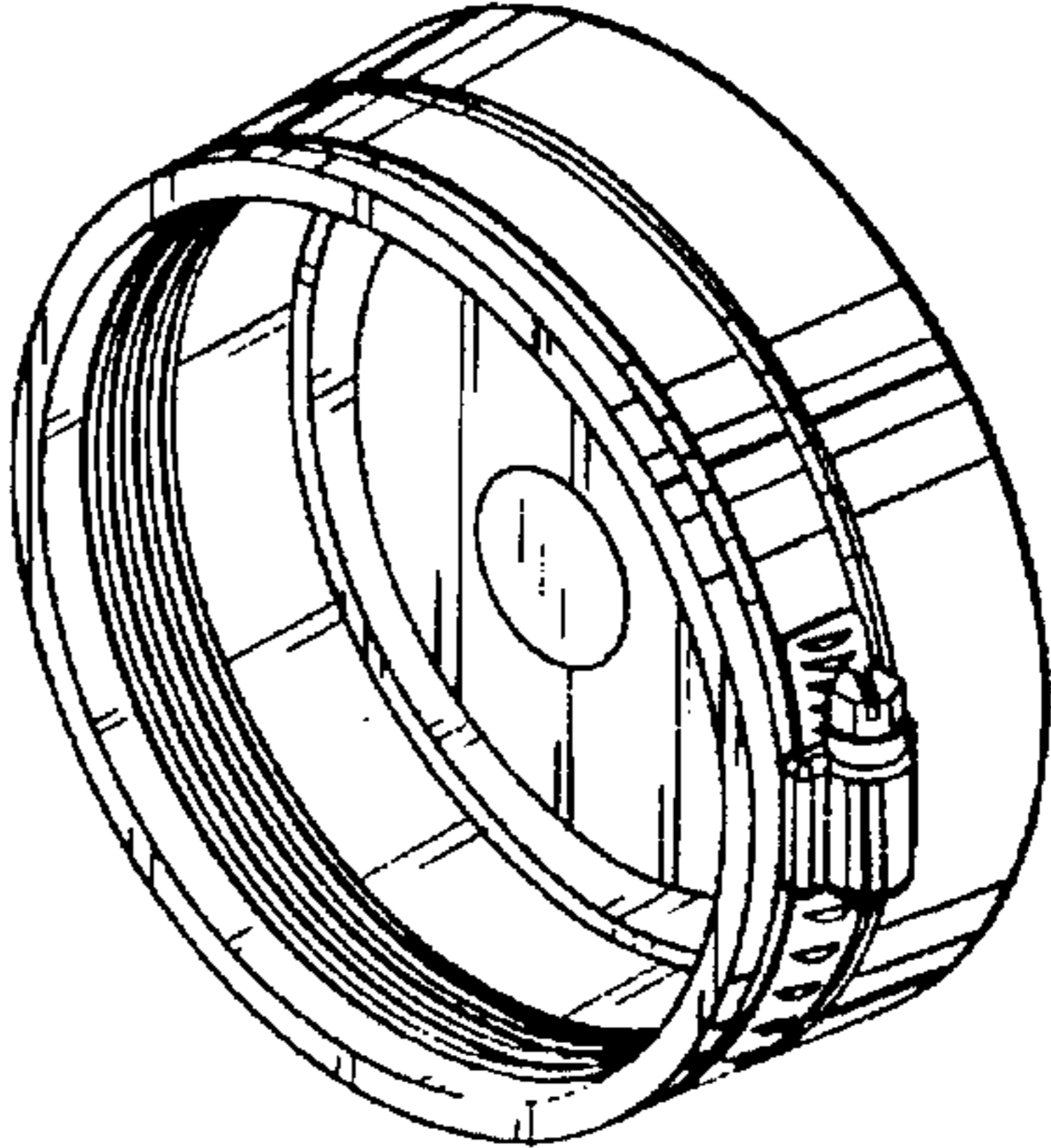


FIG. 8

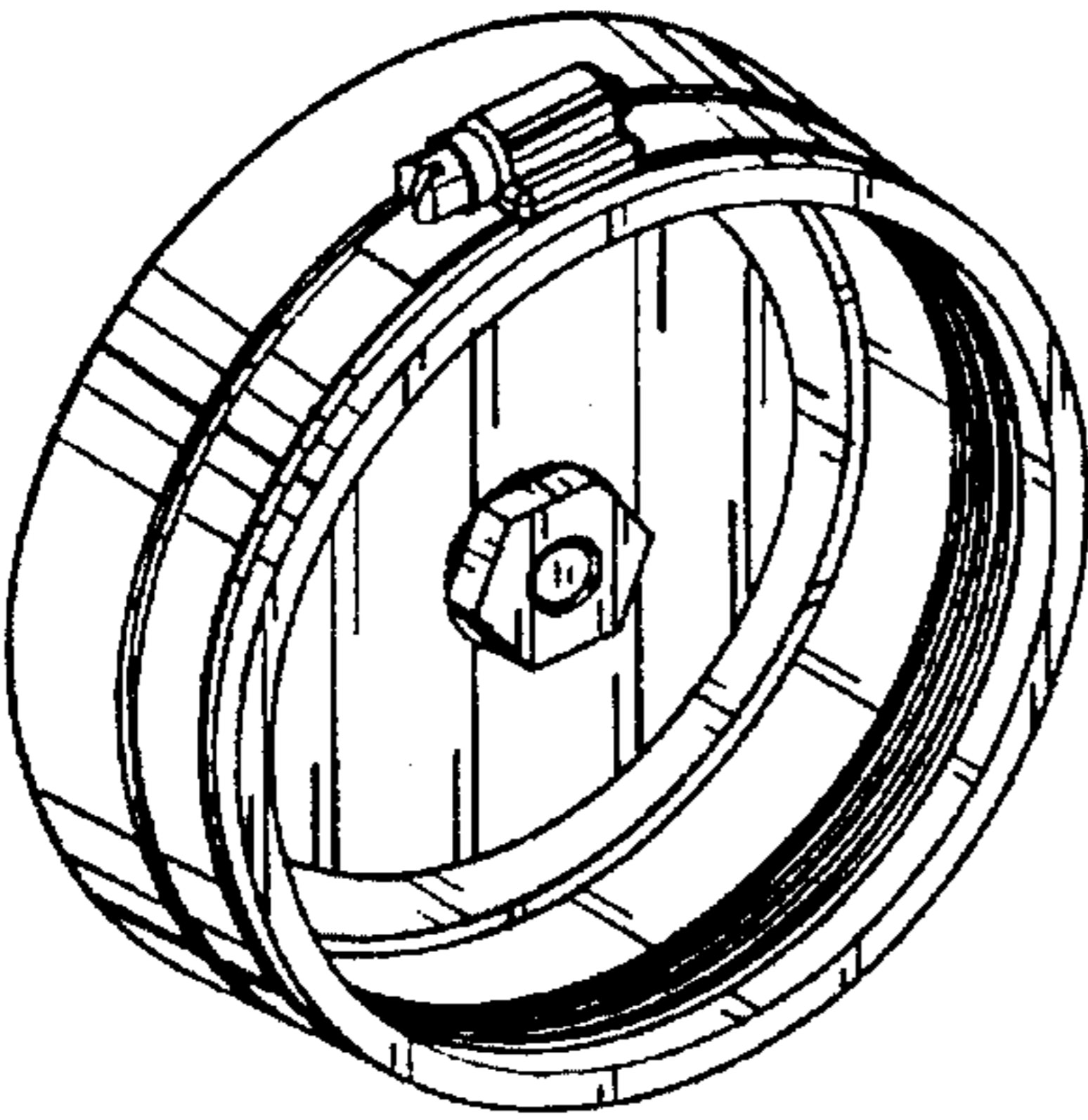


FIG. 9

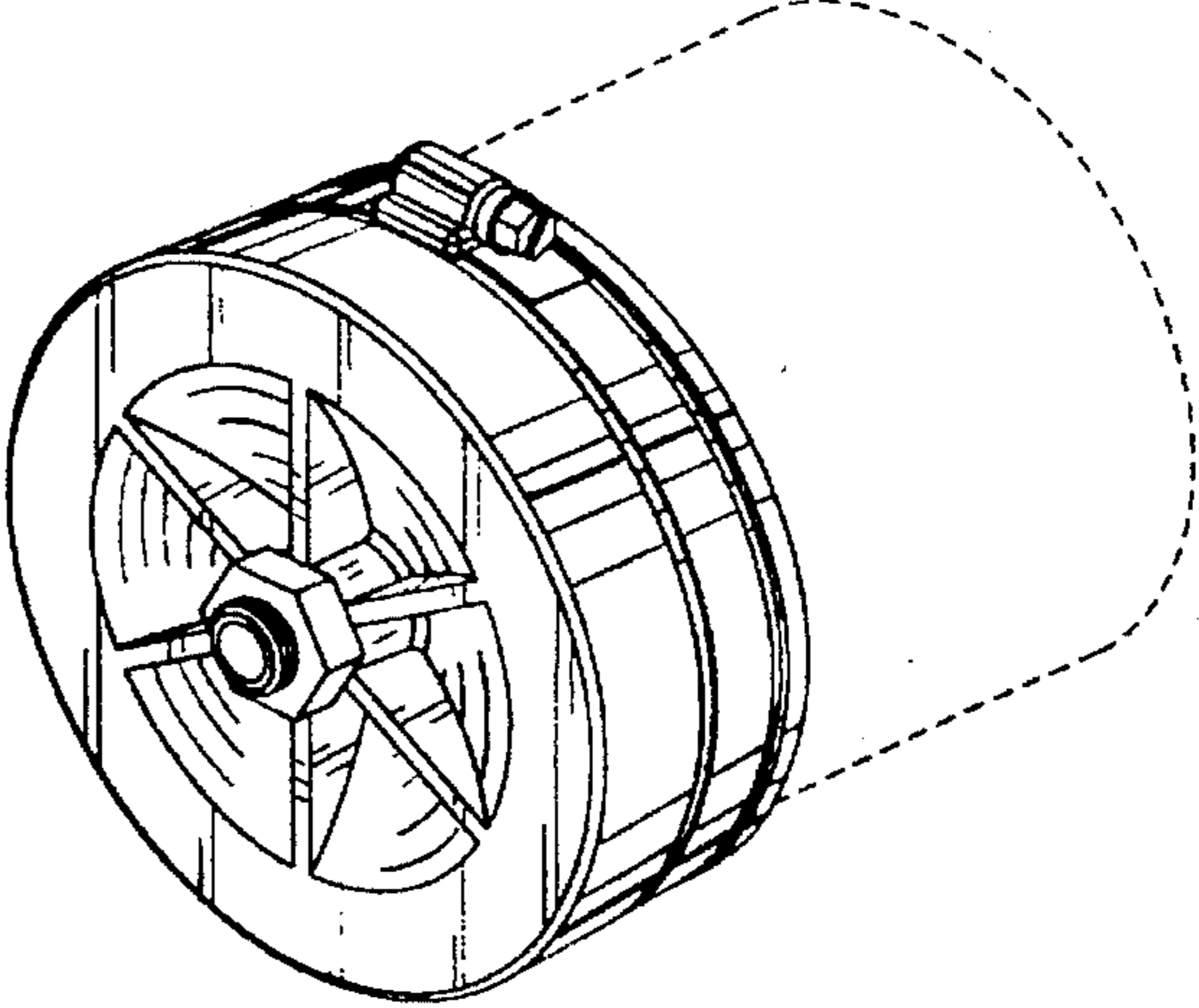


FIG. 10