



US00D379850S

United States Patent [19]

Nelson

[11] Patent Number: Des. 379,850

[45] Date of Patent: **Jun. 10, 1997

[54] **IRRIGATION WATER DRAINAGE UNIT**

[76] Inventor: **Neal J. Nelson**, 900 Brentwood Ave.,
Gustine, Calif. 95322

[**] Term: **14 Years**

[21] Appl. No.: **38,457**

[22] Filed: **May 2, 1995**

[51] LOC (6) Cl. **23-01**

[52] U.S. Cl. **D23/259**

[58] Field of Search **D23/259, 266,
D23/267; 285/156, 55, 155, 903; 405/87,
90, 107, 108, 36, 39, 40, 41**

[56] **References Cited**

U.S. PATENT DOCUMENTS

D. 239,448	4/1976	Kazienko et al. .	
D. 292,934	11/1987	Alberico .	
1,521,069	12/1924	Bern .	
1,621,748	3/1927	Murdock .	
1,842,216	1/1932	Thomas, Jr.	285/55
2,240,210	4/1941	Dreyer .	
2,888,087	5/1959	Duncan .	
3,101,207	8/1963	Pavel et al.	285/55
3,445,322	5/1969	Saiia et al. .	
3,551,007	12/1970	Martin et al.	285/156
3,695,643	10/1972	Schmunk	285/903
4,156,324	5/1979	Henttonen .	

4,180,348	12/1979	Taylor .	
4,368,904	1/1983	Lanz	285/903
5,017,042	5/1991	Minor et al. .	
5,072,972	12/1991	Justice	285/903
5,326,138	7/1994	Claes et al.	285/903

FOREIGN PATENT DOCUMENTS

403121397	5/1991	Japan	285/156
181	of 1889	United Kingdom	285/55

Primary Examiner—Louis S. Zarfes
Assistant Examiner—Gregory Andoll
Attorney, Agent, or Firm—Mark D. Miller

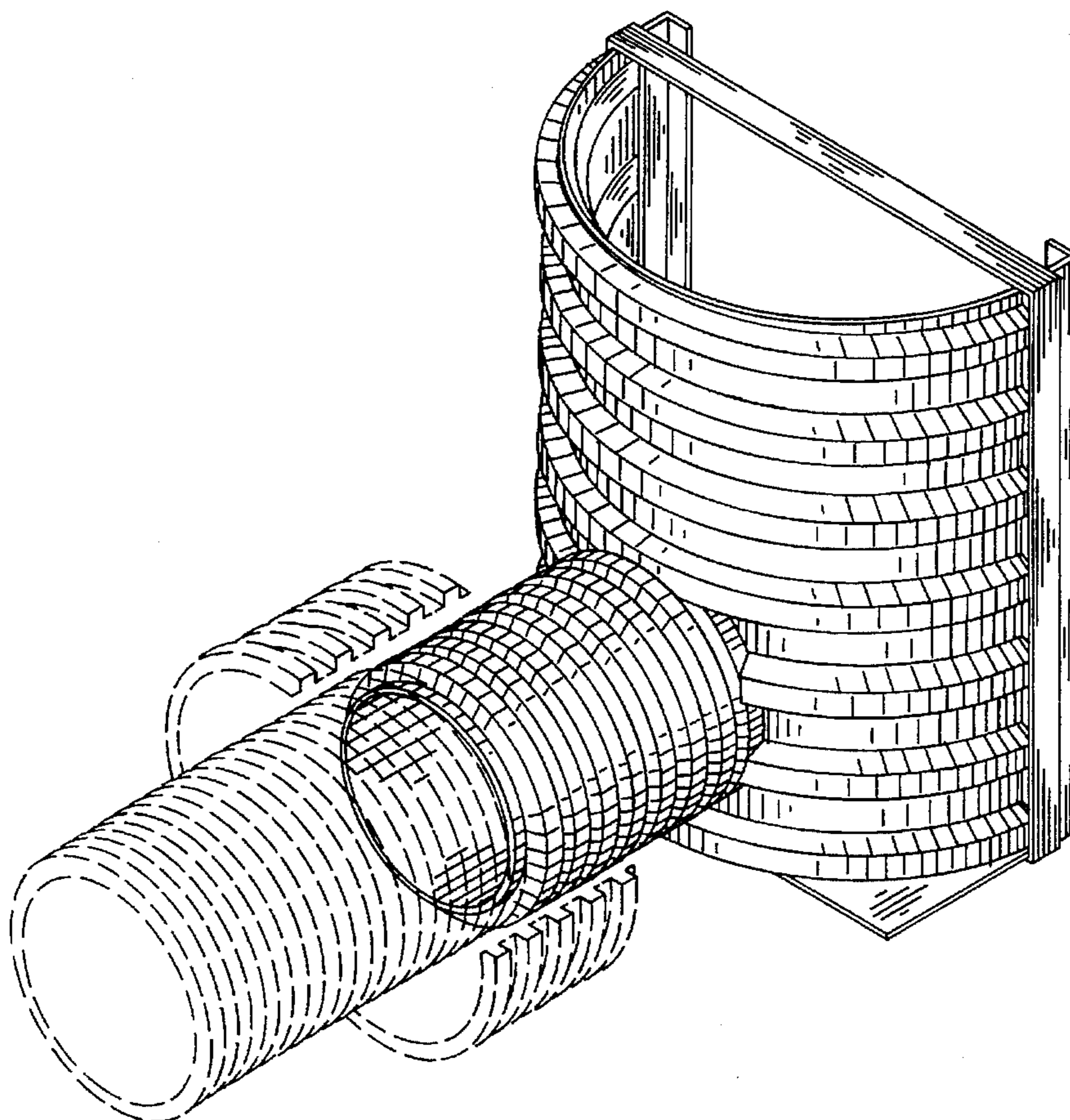
[57] **CLAIM**

The ornamental design for an irrigation water drainage unit, as shown.

DESCRIPTION

FIG. 1 is a perspective view of the irrigation water drainage unit showing my new design, with phantom lines showing how it is connected to a conduit;
FIG. 2 is a bottom plan view thereof;
FIG. 3 is a top plan view thereof;
FIG. 4 is an elevational view of the front thereof;
FIG. 5 is an elevational view of the back thereof;
FIG. 6 is a left side elevational view thereof; and,
FIG. 7 is a right side elevational view thereof.

1 Claim, 2 Drawing Sheets



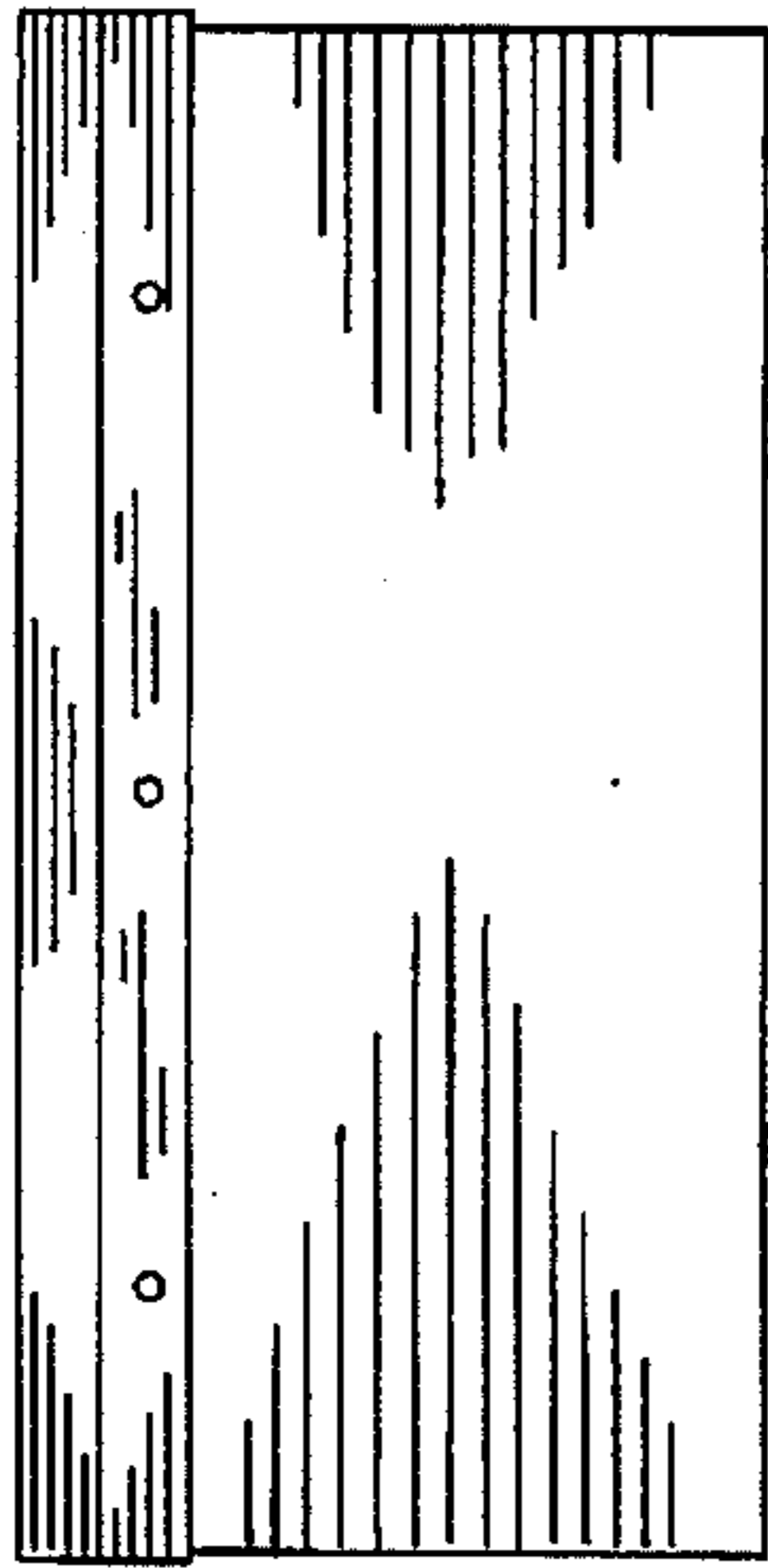


FIG. 2

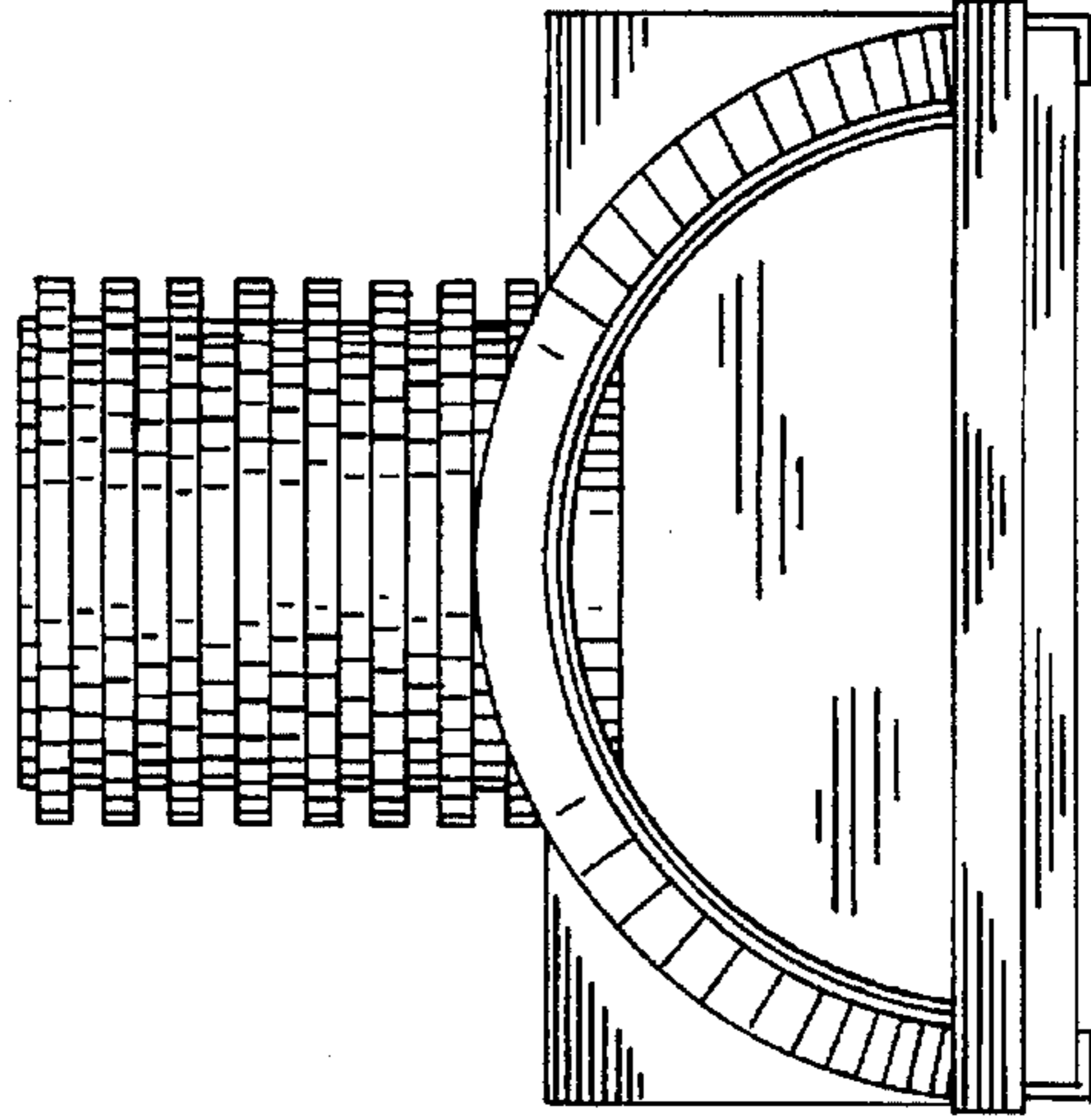


FIG. 3

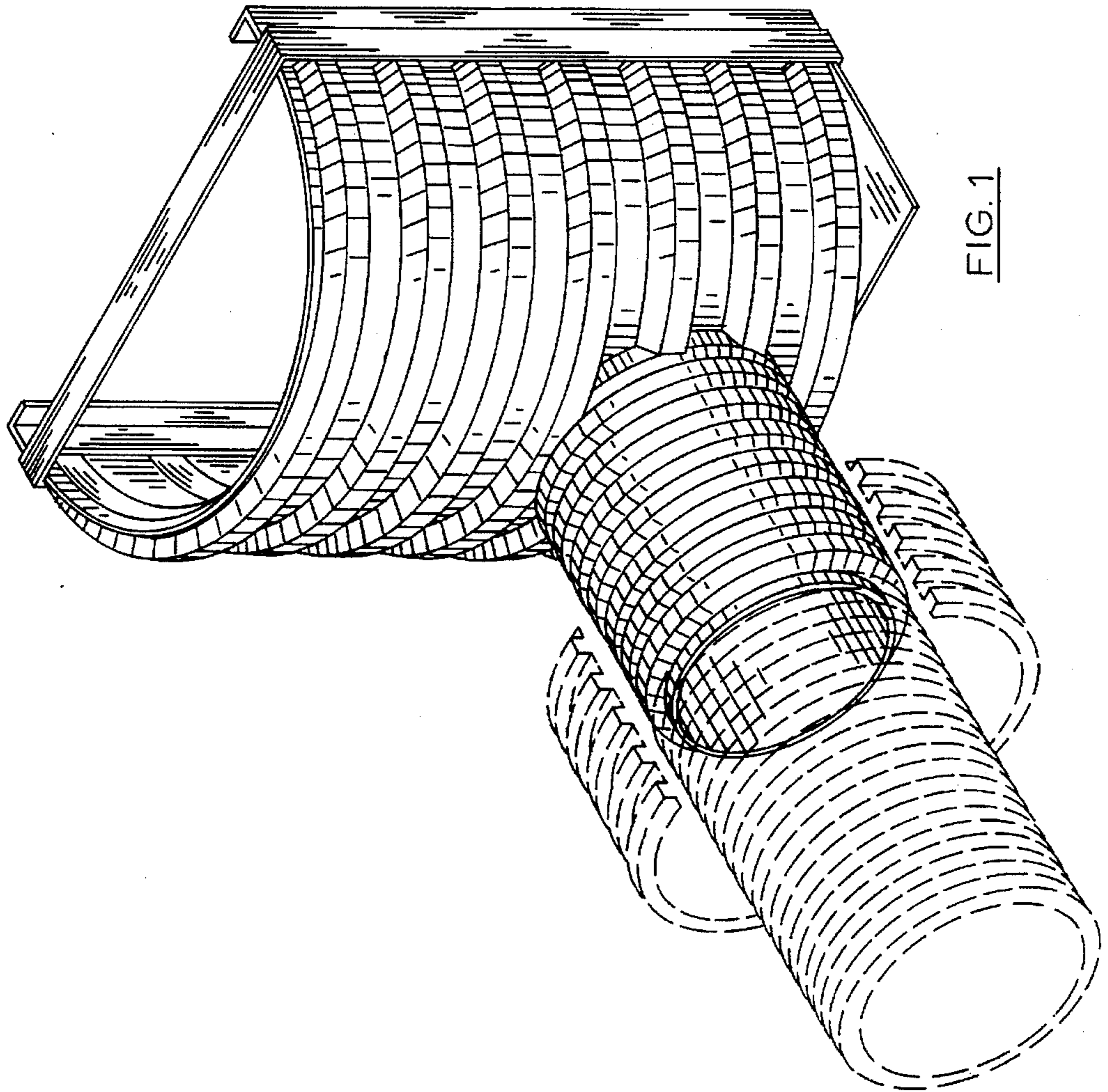


FIG. 1

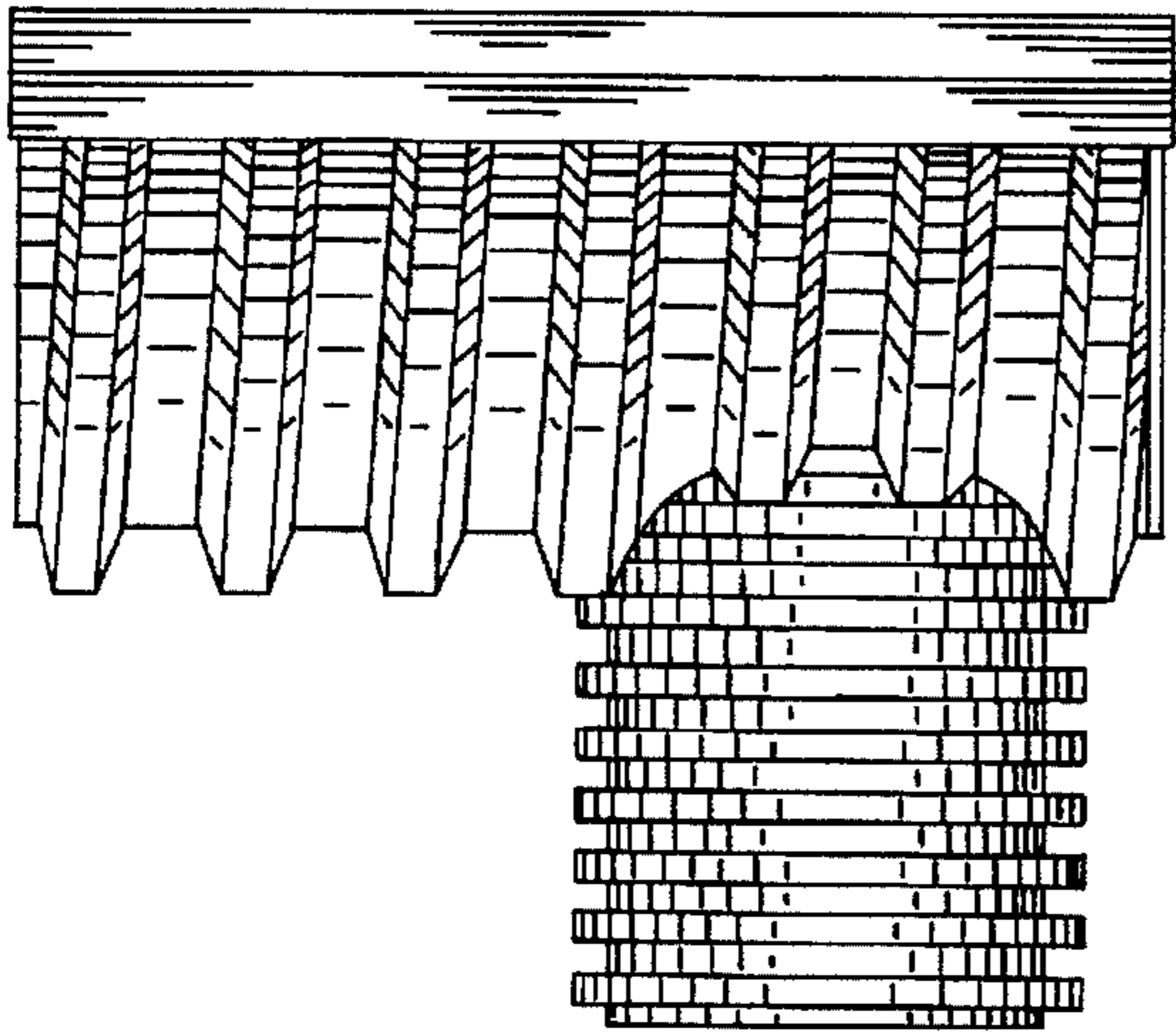


FIG. 6

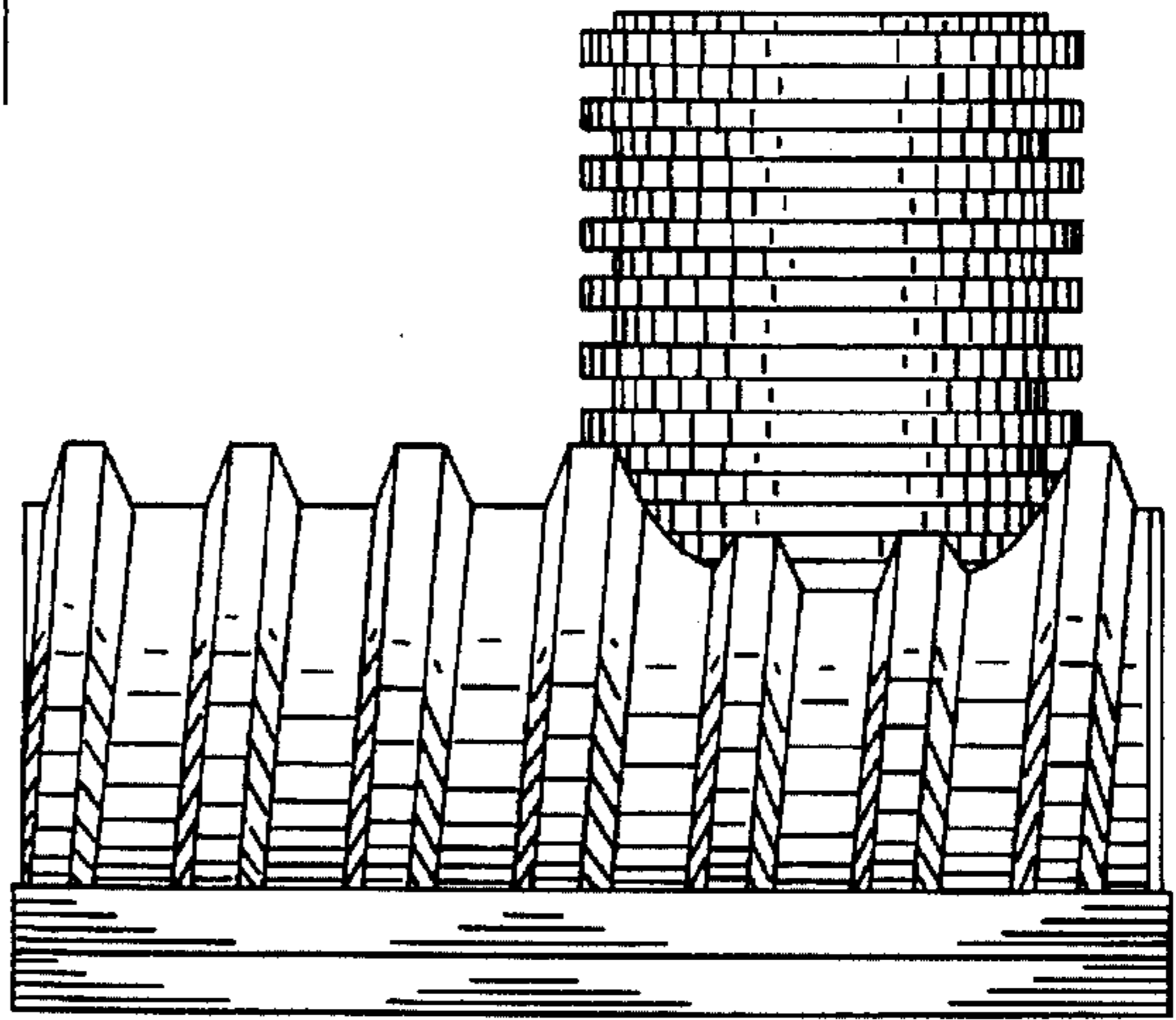


FIG. 7

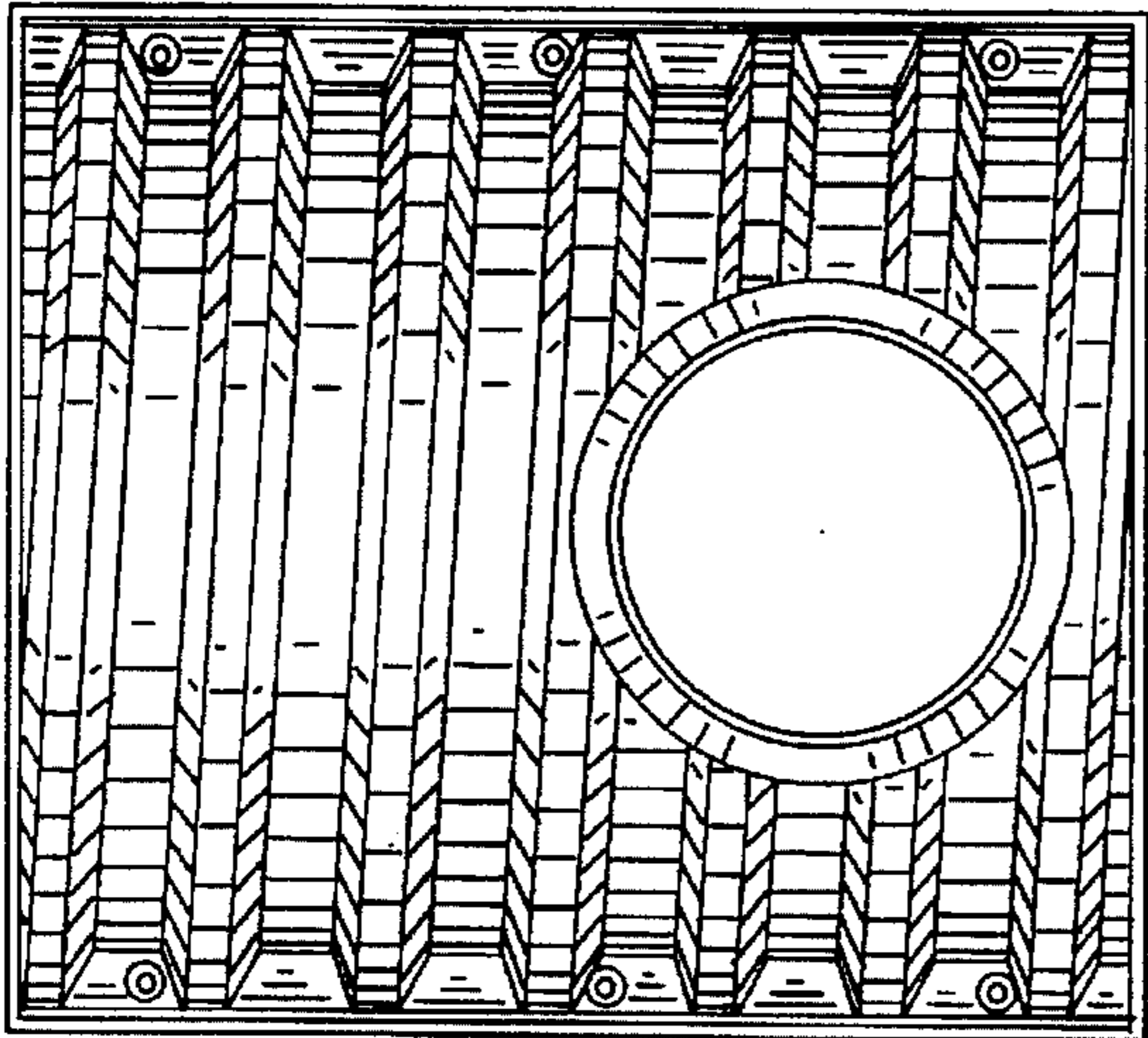


FIG. 4

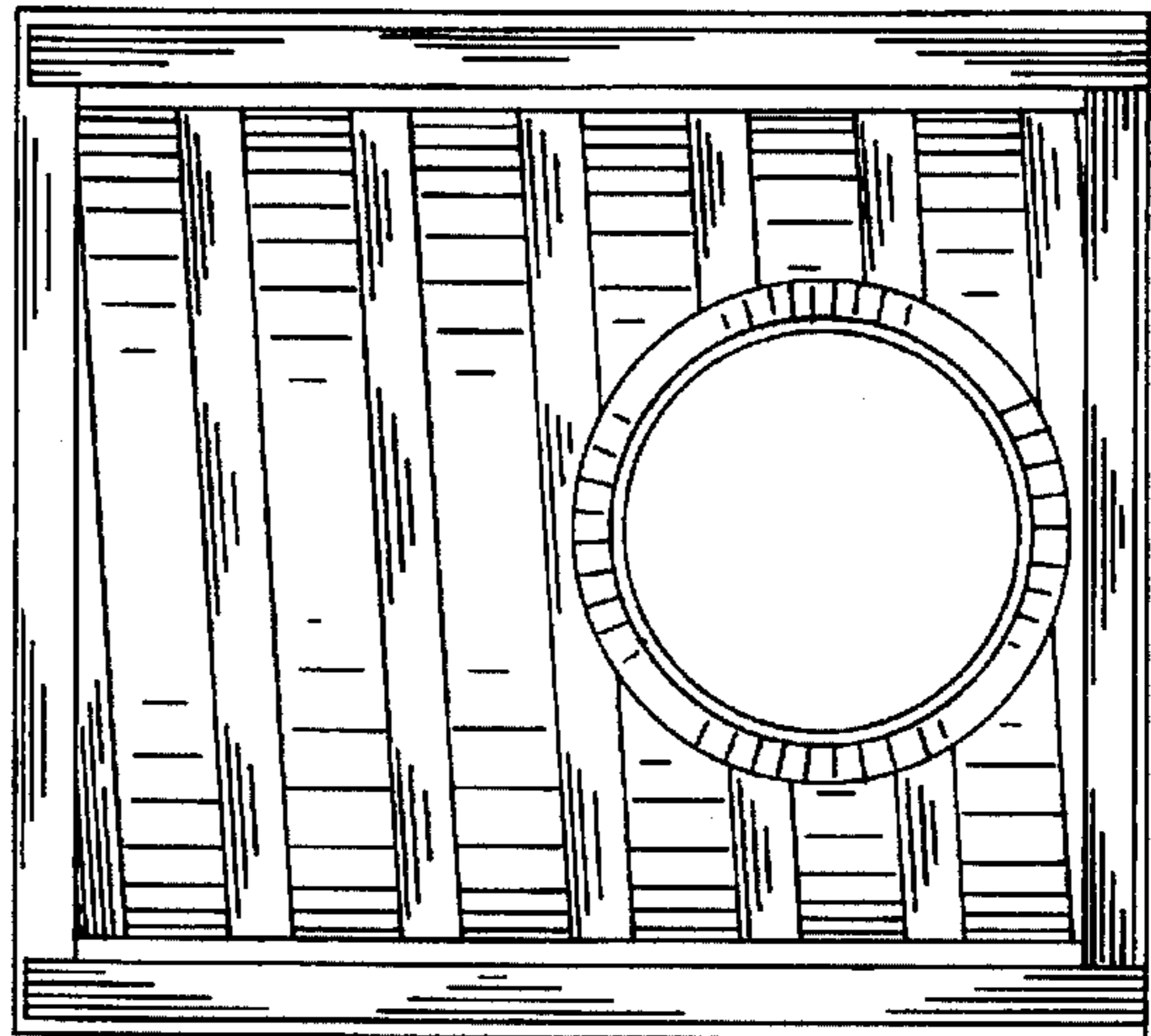


FIG. 5