



US00D379849S

United States Patent [19]
Hill et al.

[11] **Patent Number: Des. 379,849**
[45] **Date of Patent: **Jun. 10, 1997**

[54] **SPOUT**
[75] **Inventors: Loran R. Hill, Indianapolis; Anthony G. Spangler, Greensburg, both of Ind.**
[73] **Assignee: Masco Corporation of Indiana, Indianapolis, Ind.**
[**] **Term: 14 Years**
[21] **Appl. No.: 46,264**
[22] **Filed: Nov. 13, 1995**
[51] **LOC (6) Cl. 23-01**
[52] **U.S. Cl. D23/255**
[58] **Field of Search D23/238-243, D23/250-257; 4/623, 675-678; 137/801**

D. 304,069 10/1989 Haug et al. .
D. 313,646 1/1991 Selberg et al. .
D. 314,812 2/1991 Jans .
D. 324,259 2/1992 Yost .
D. 325,622 4/1992 Bengtson .
D. 326,901 6/1992 Yost .
D. 329,688 9/1992 Yost .
D. 331,275 11/1992 Knapp .
D. 331,276 11/1992 Knapp .
D. 339,411 9/1993 Gottwald .
D. 339,847 9/1993 Jans .
D. 341,873 11/1993 Allen et al. .
D. 341,875 11/1993 Allen et al. .
D. 341,876 11/1993 Rademacher .
D. 343,445 1/1994 Allen et al. .
D. 346,013 4/1994 McKeone .
D. 347,466 5/1994 Kolada et al. .
D. 349,756 8/1994 Altman .
D. 349,757 8/1994 Altman .
D. 349,948 8/1994 Bollenbacher et al. .
D. 350,812 9/1994 Kolada et al. .
D. 352,547 11/1994 McKeone .
D. 353,442 12/1994 Formgren .
D. 354,548 1/1995 Bollenbacher et al. .
D. 356,631 3/1995 Kolada .

[56] **References Cited**

U.S. PATENT DOCUMENTS

D. 45,861 6/1914 Divekey .
D. 87,328 5/1932 Brotz .
D. 273,512 4/1984 Arnolds .
D. 278,270 4/1985 Niemann .
D. 278,271 4/1985 Niemann .
D. 279,598 7/1985 Rademacher .
D. 280,008 8/1985 Miller et al. .
D. 280,009 8/1985 Miller et al. .
D. 284,499 7/1986 Yost .
D. 284,992 8/1986 Joerger .
D. 285,597 9/1986 Miller et al. .
D. 288,835 3/1987 Yost .
D. 290,387 6/1987 Joerger .
D. 291,117 7/1987 Ryan .
D. 291,236 8/1987 Delepine .
D. 293,362 12/1987 Hill et al. .
D. 295,661 5/1988 Kohler, Jr. et al. .
D. 295,662 5/1988 Kohler, Jr. .
D. 296,461 6/1988 Yost .
D. 298,274 10/1988 Fabian .
D. 299,161 12/1988 Frattini .
D. 299,519 1/1989 Fabian .
D. 300,653 4/1989 Paul .
D. 301,605 6/1989 Jans .
D. 301,918 6/1989 Fabian .

OTHER PUBLICATIONS

Comco Catalog (Admitted Prior Art) Delta Full-Line Catalog (1991).

Primary Examiner—Stella Reid
Assistant Examiner—Eric Watterson
Attorney, Agent, or Firm—Myron B. Kapustij; Malcolm L. Sutherland

[57] **CLAIM**

The ornamental design for a spout, as shown and described.

DESCRIPTION

FIG. 1 is a front perspective view of a spout showing our new design;
FIG. 2 is a rear perspective view thereof;
FIG. 3 is a top plan view thereof;
FIG. 4 is a bottom plan view thereof;
FIG. 5 is a front elevational view thereof;

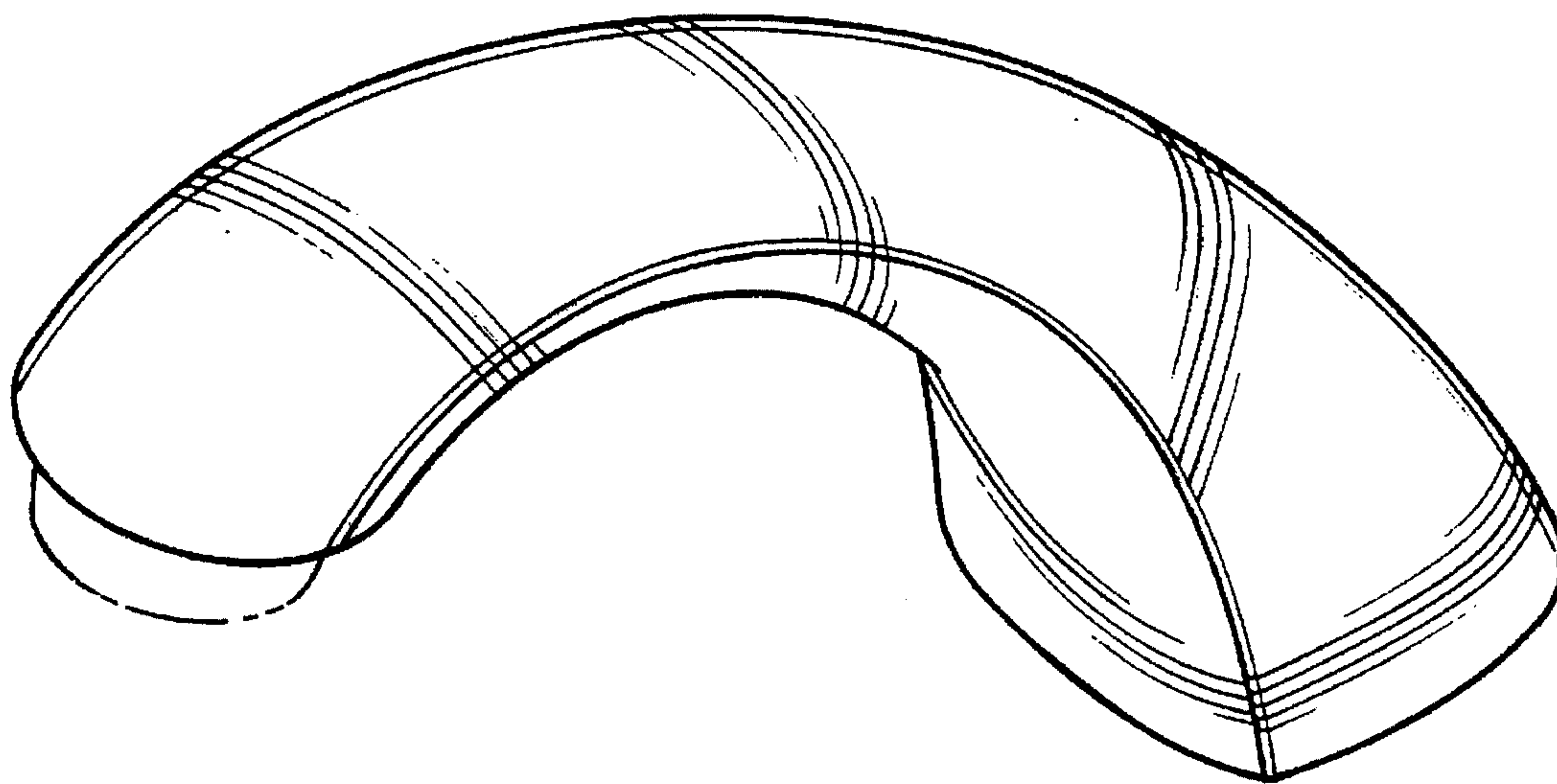


FIG. 6 is rear elevational view thereof; and,
FIG. 7 is a right side elevational view thereof, the left side
being a mirror image.

The broken line showing of the aerator in FIGS. 1, 4, 5 and

7, and the broken line showing of the circular water pipe
opening in FIG. 4 are for purposes of illustration only and
form no part of the claimed design.

1 Claim, 4 Drawing Sheets

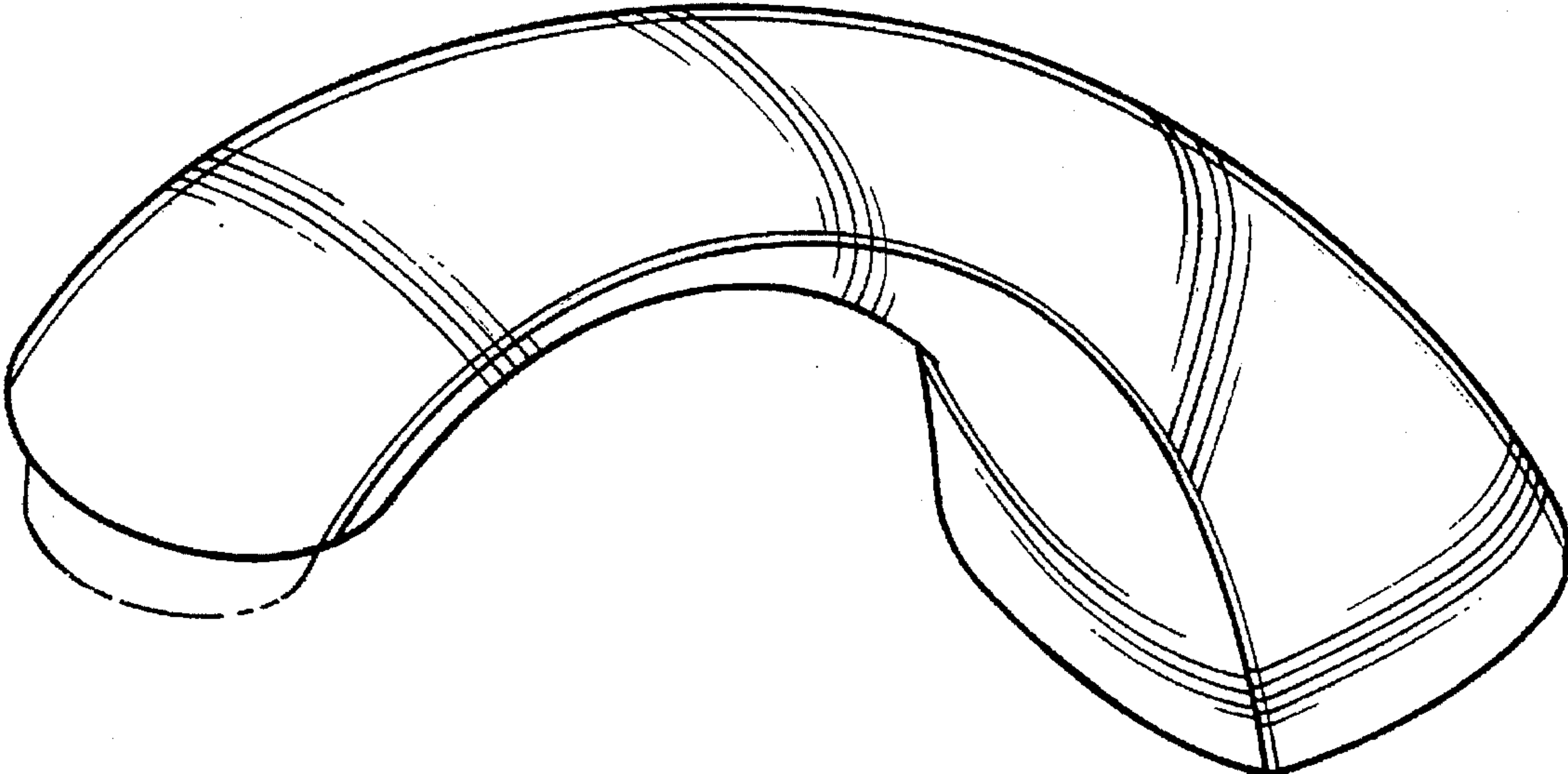


Fig - 1

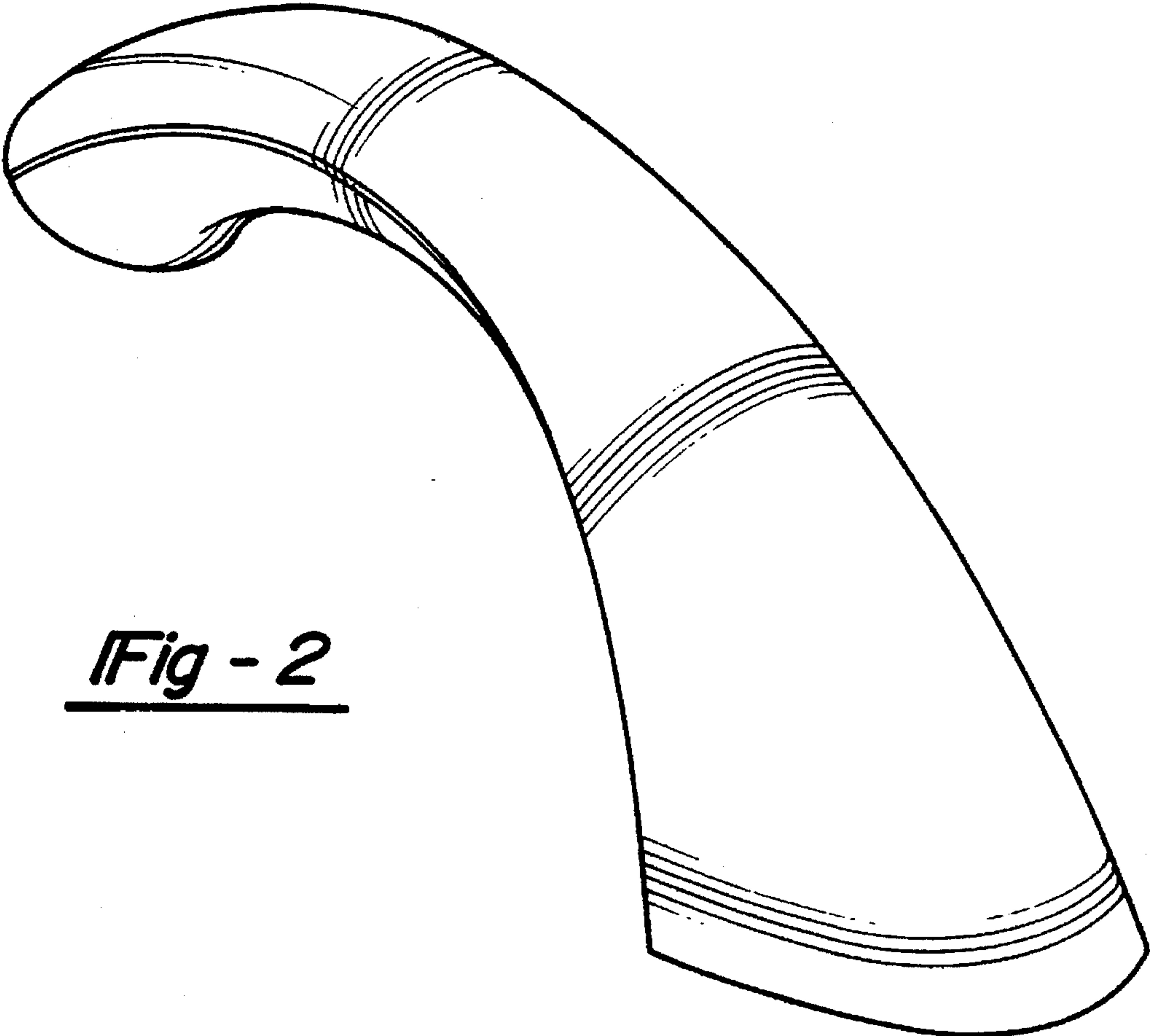


Fig - 2

Fig - 3

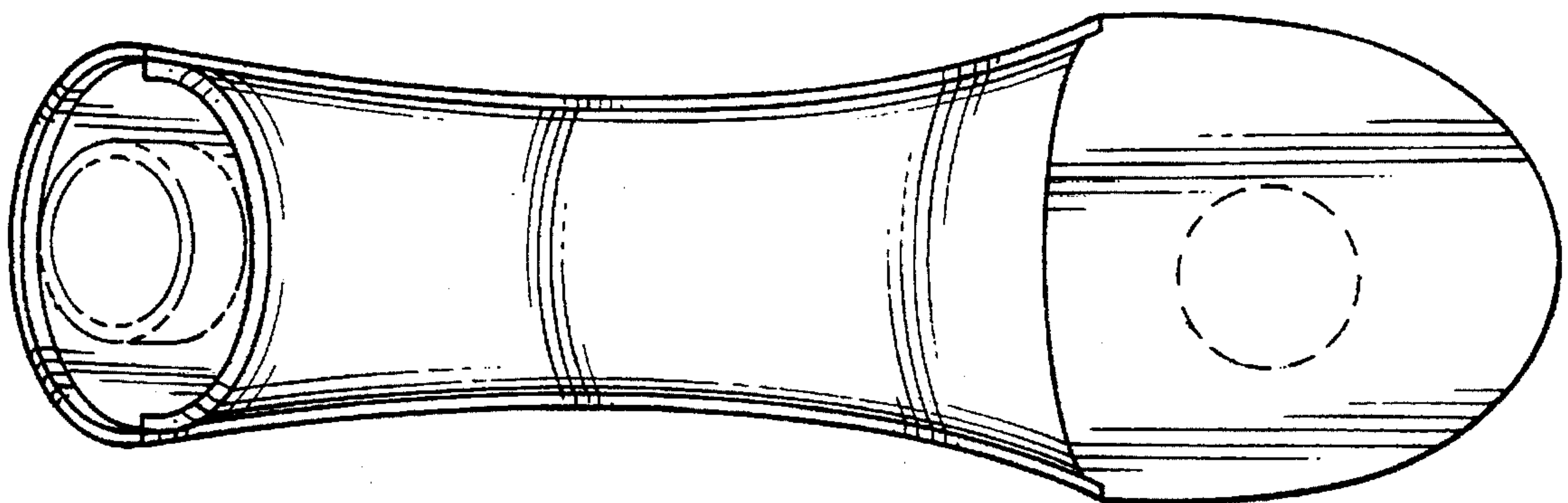
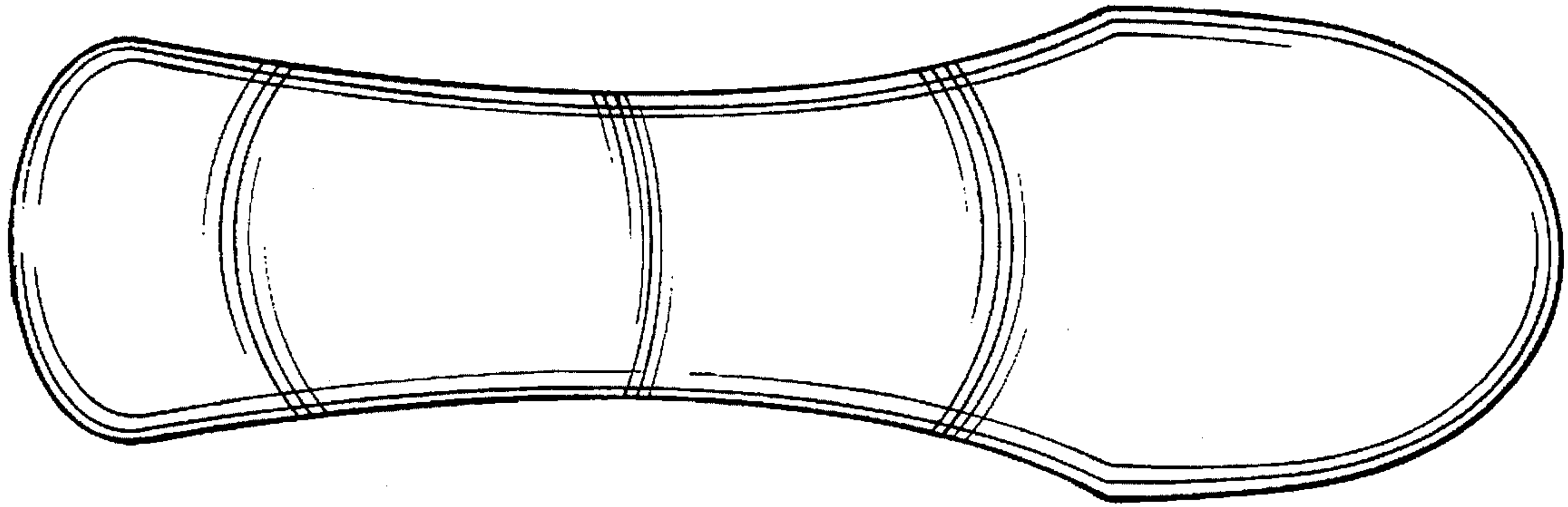


Fig - 4

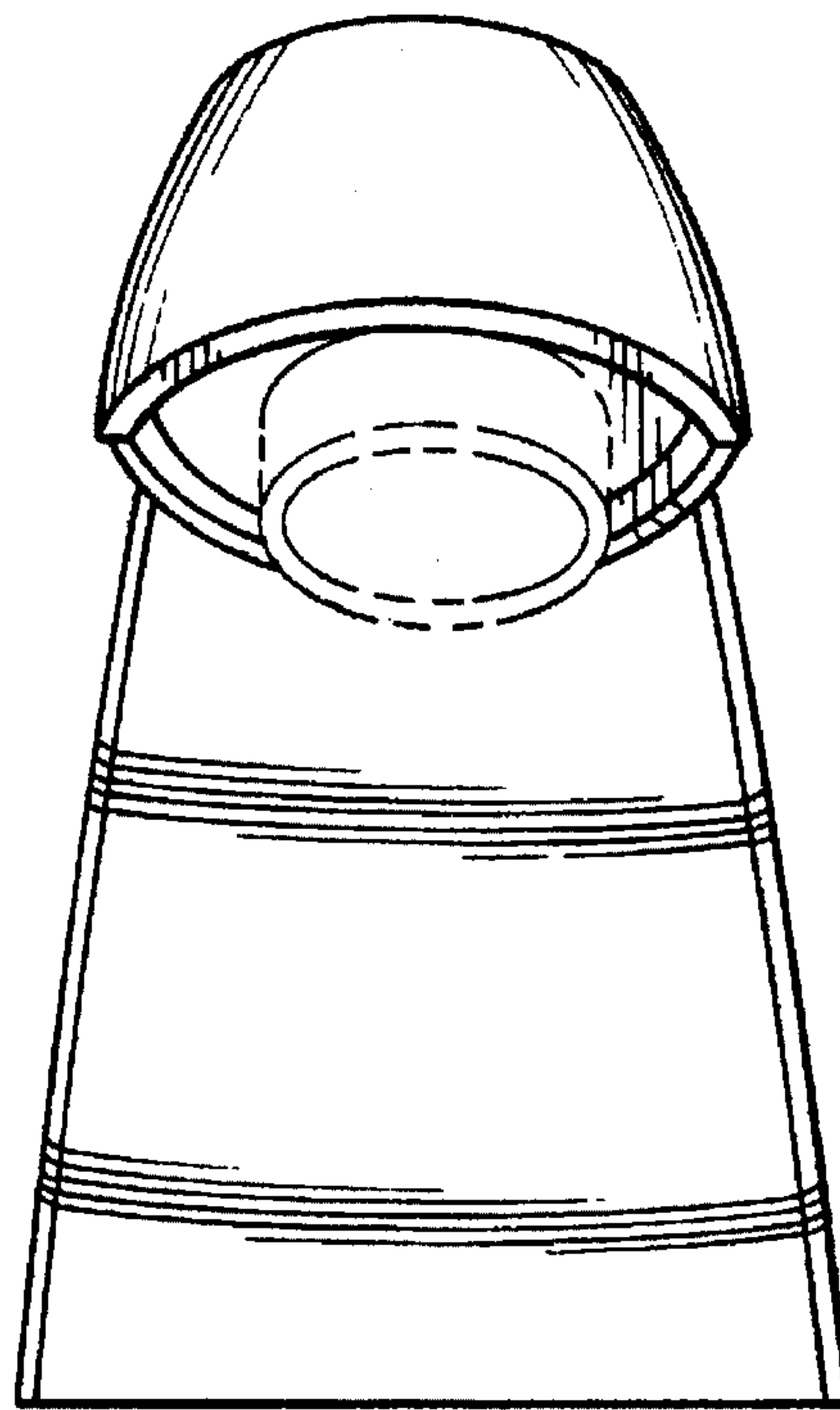


Fig - 5

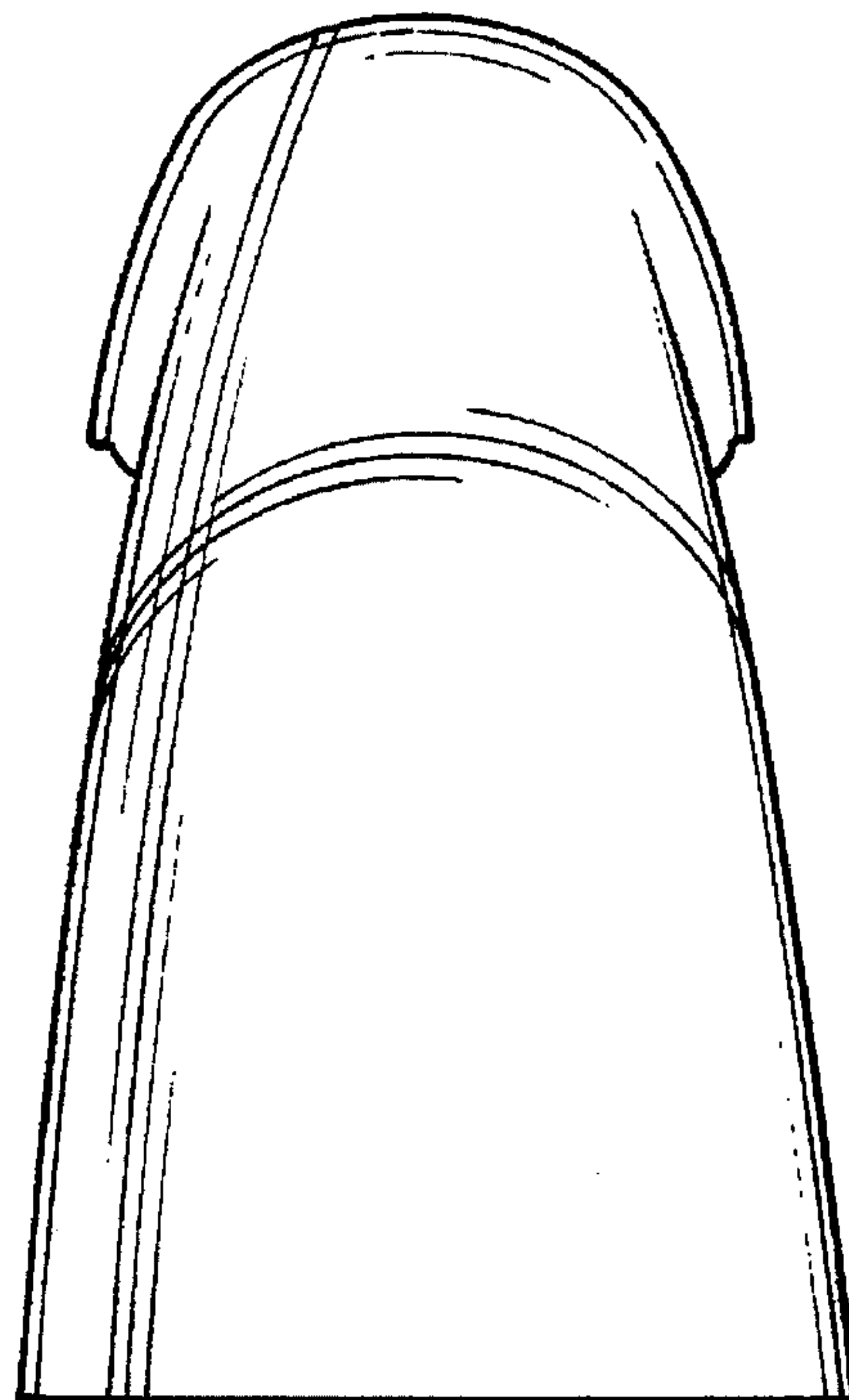


Fig - 6

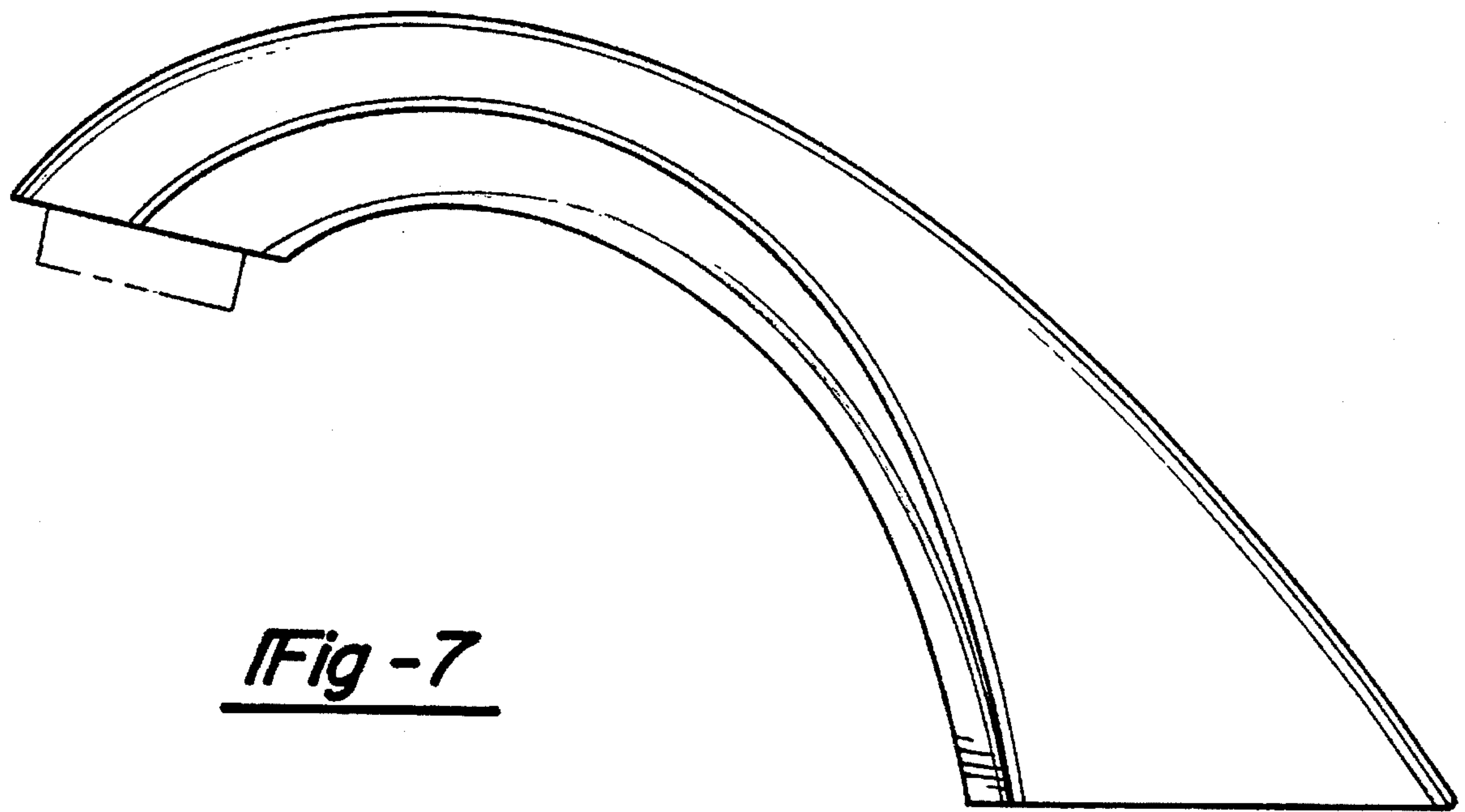


Fig -7