



US00D379847S

United States Patent [19]
Kohler, Jr.

[11] **Patent Number: Des. 379,847**

[45] **Date of Patent: **Jun. 10, 1997**

- [54] **PLUMBING HANDLE**
- [75] **Inventor: Herbert V. Kohler, Jr., Kohler, Wis.**
- [73] **Assignee: Jacob Delafon, Paris, France**
- [**] **Term: 14 Years**
- [21] **Appl. No.: 45,947**
- [22] **Filed: Nov. 3, 1995**
- [51] **LOC (6) Cl. 23-01**
- [52] **U.S. Cl. D23/252**
- [58] **Field of Search D23/238-243,
D23/250-254; D8/300, 303, 306, 307, 308,
338; 16/118, 119, 120, 121, 125**

[56] **References Cited**

U.S. PATENT DOCUMENTS

D. 323,377	1/1992	Haug et al.	D23/252
D. 347,270	5/1994	Yost	D23/252
D. 348,307	6/1994	Gottwold	D23/252
D. 350,811	9/1994	Gottwold	D23/252
D. 357,060	4/1995	Haug et al.	D23/252
D. 362,489	9/1995	Moon	D23/252
D. 366,519	1/1996	Lobermeier	D23/252

OTHER PUBLICATIONS

Undated Jacob Delafon catalog ad, p. 163, showing "Enduro Plus" faucets.
 Undated Jacob Delafon catalog ad, p. 202, showing "Enduro" faucets.

Undated catalog ad (unknown supplier) showing a faucet.
 Undated Ideal Standard catalog ad showing a "Ceramik Carat" faucet.

Undated Delta catalog showing faucet levers.

Primary Examiner—Doris V. Coles
Assistant Examiner—Eric Watterson
Attorney, Agent, or Firm—Quarles & Brady

[57] **CLAIM**

The ornamental design for a plumbing handle, as shown and described.

DESCRIPTION

FIG. 1 is a left, top, front perspective view of a plumbing fixture embodying my new design;
 FIG. 2 is a right side elevational view thereof, the left side elevational view being a mirror image of the right side shown;
 FIG. 3 is a top plan view thereof;
 FIG. 4 is a front elevational view thereof;
 FIG. 5 is a rear elevational view thereof; and,
 FIG. 6 is a bottom plan view thereof.

The broken line representation of a mounting structure in FIG. 6 is for purposes of illustration only, and forms no part of the claimed design.

1 Claim, 2 Drawing Sheets

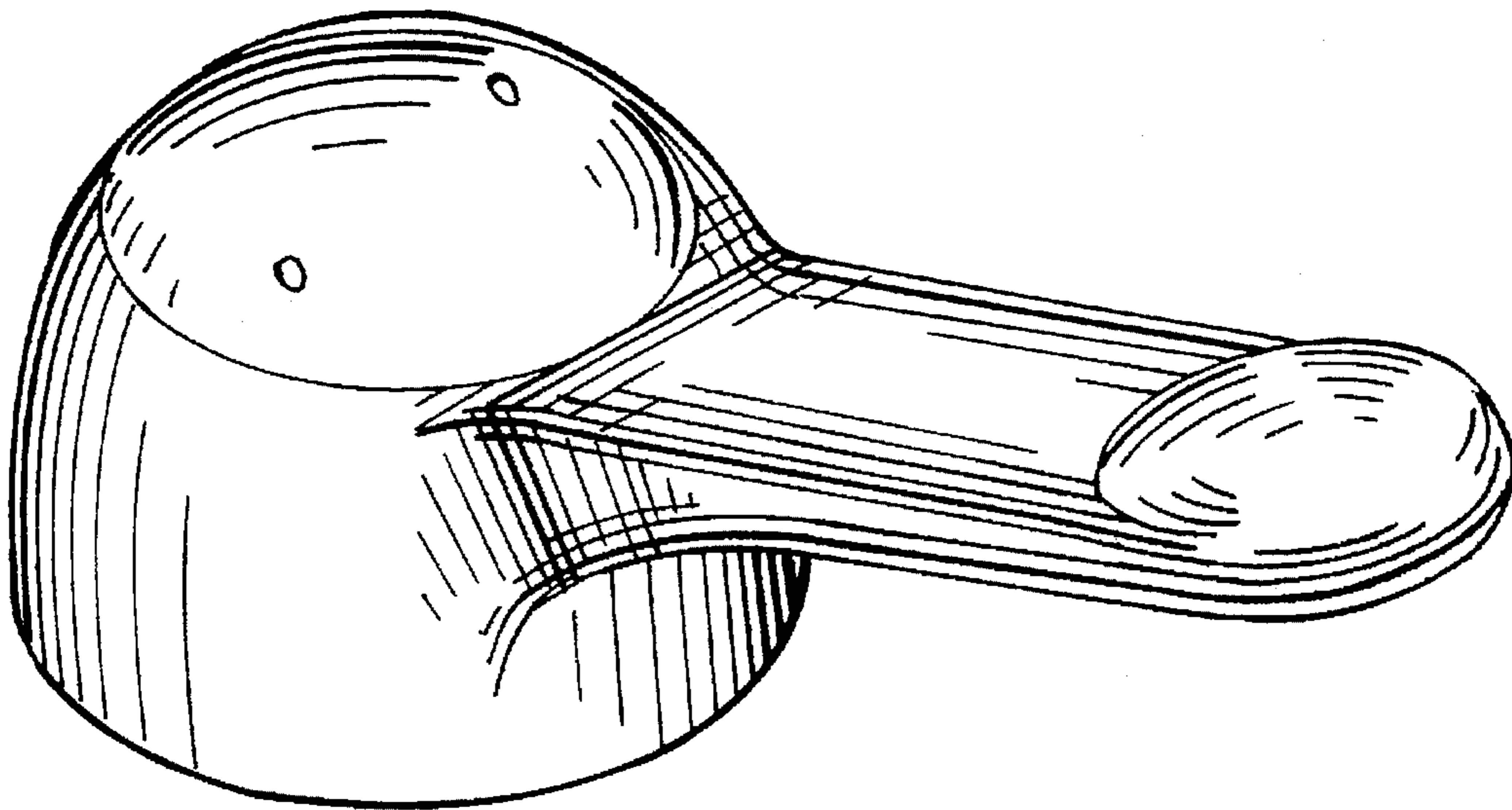


FIG. 1

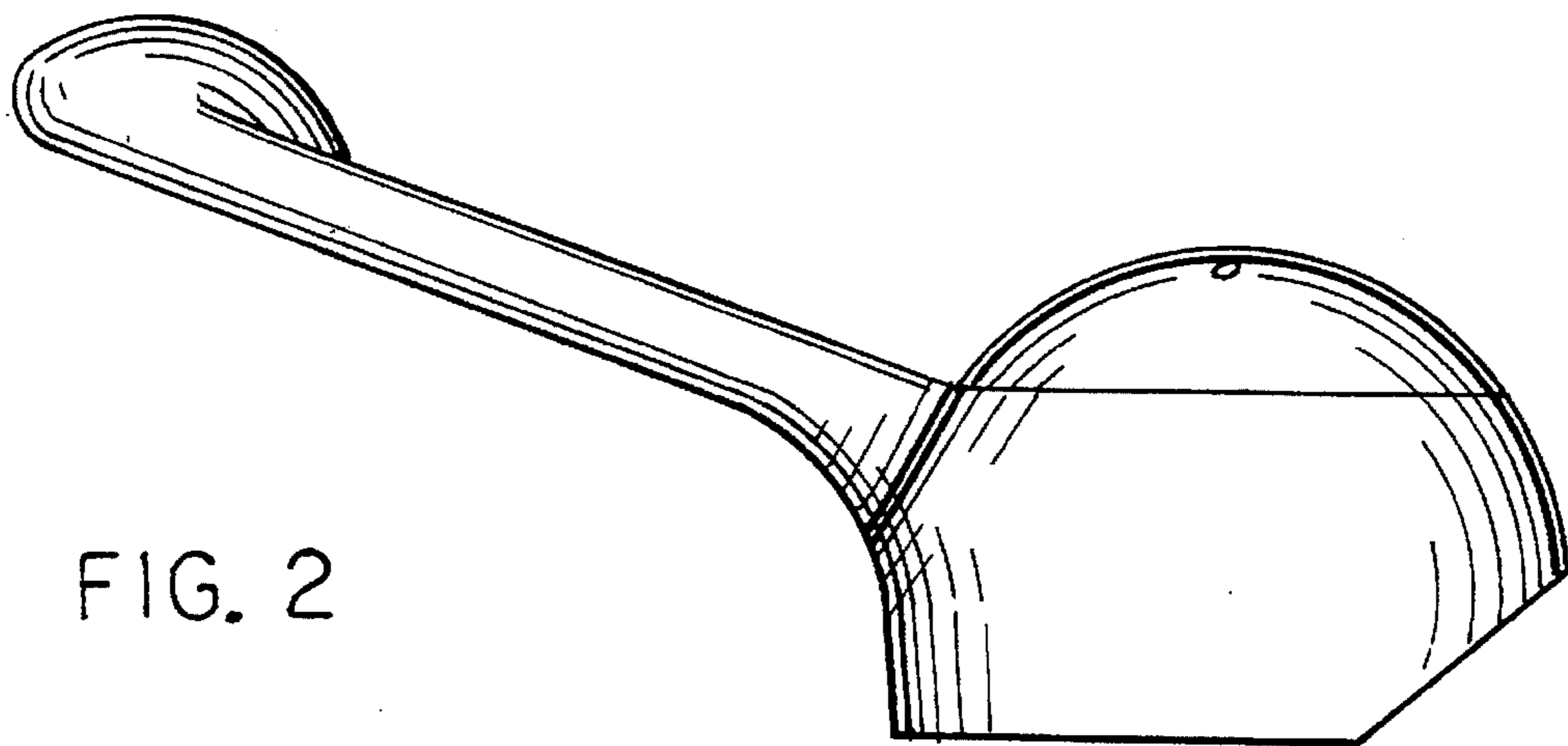
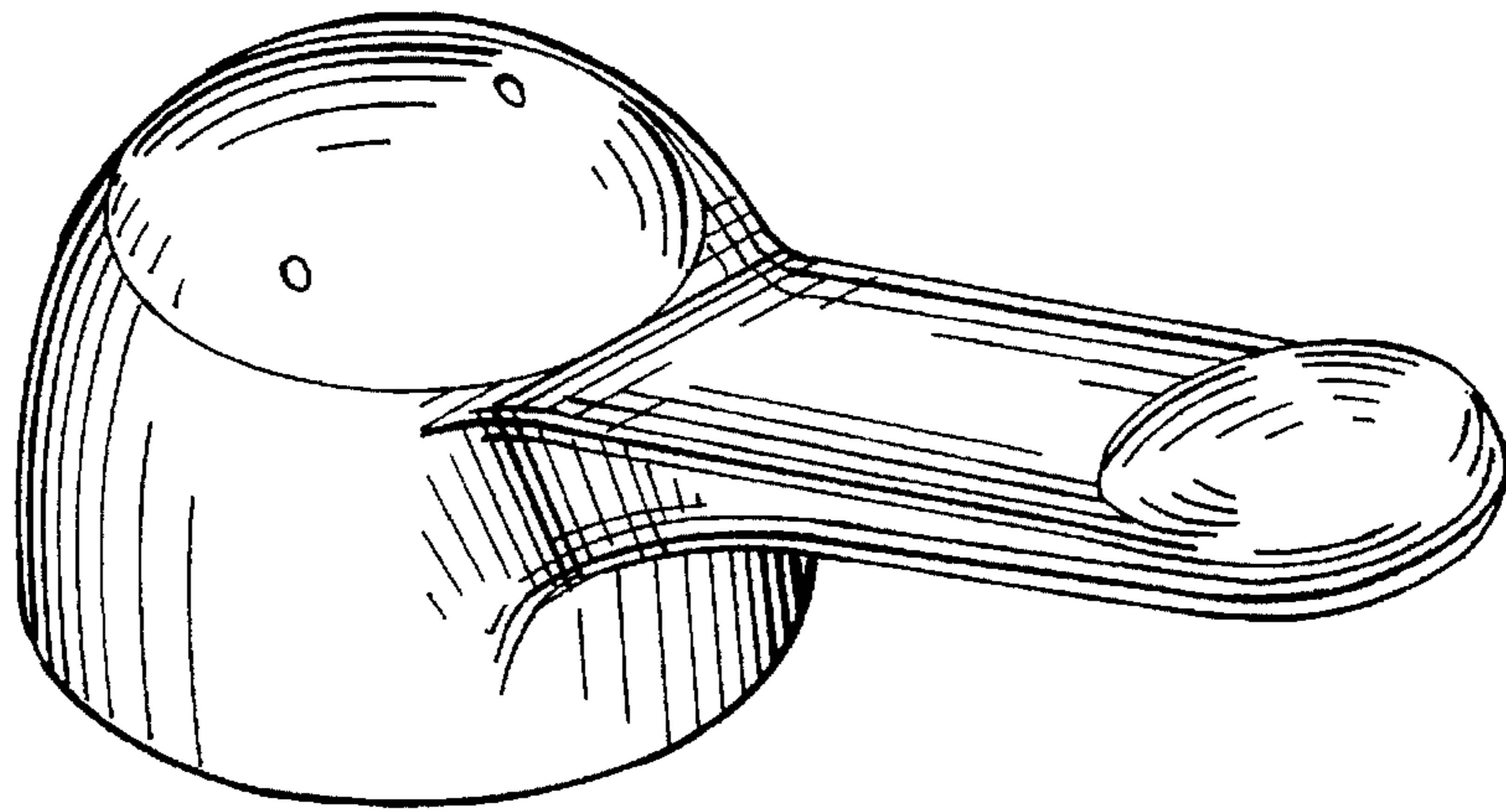


FIG. 2

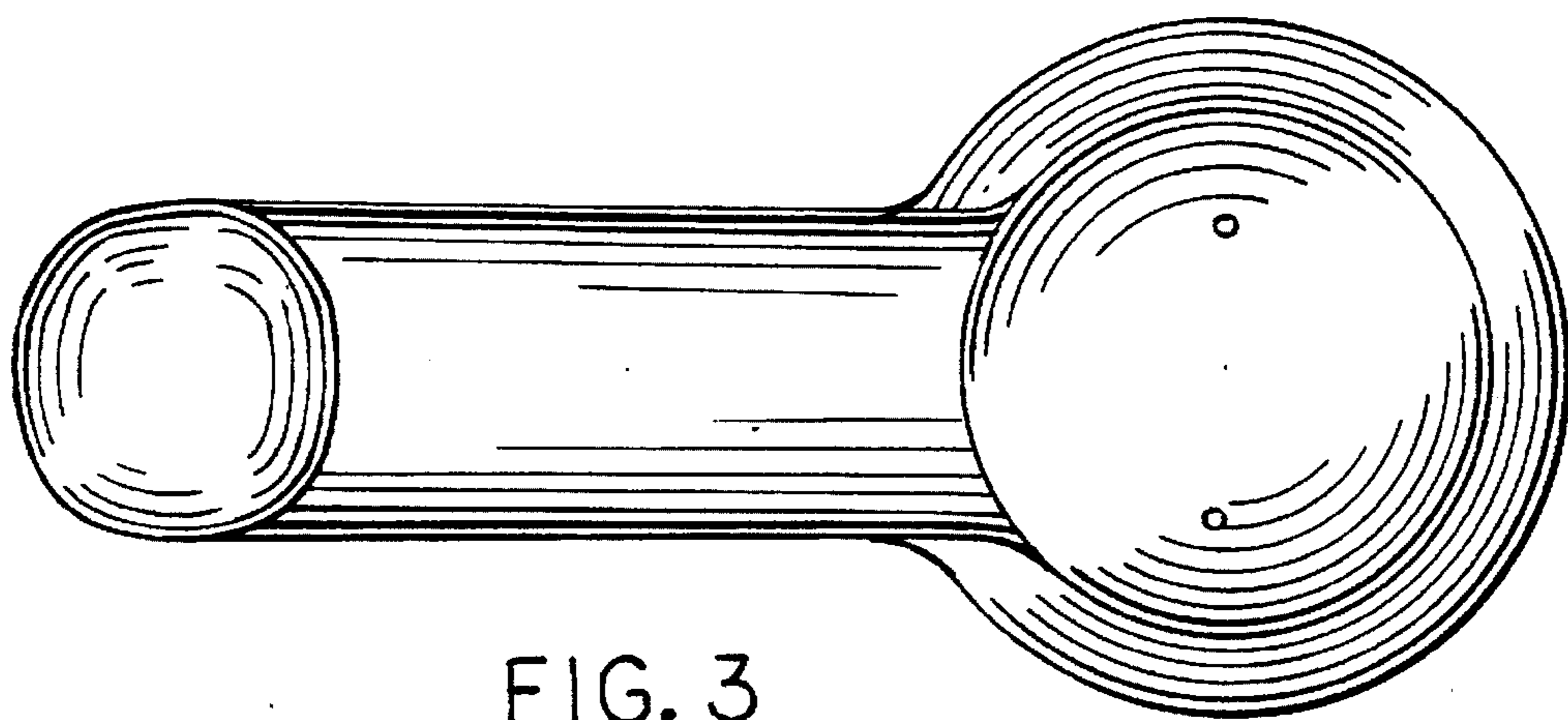


FIG. 3

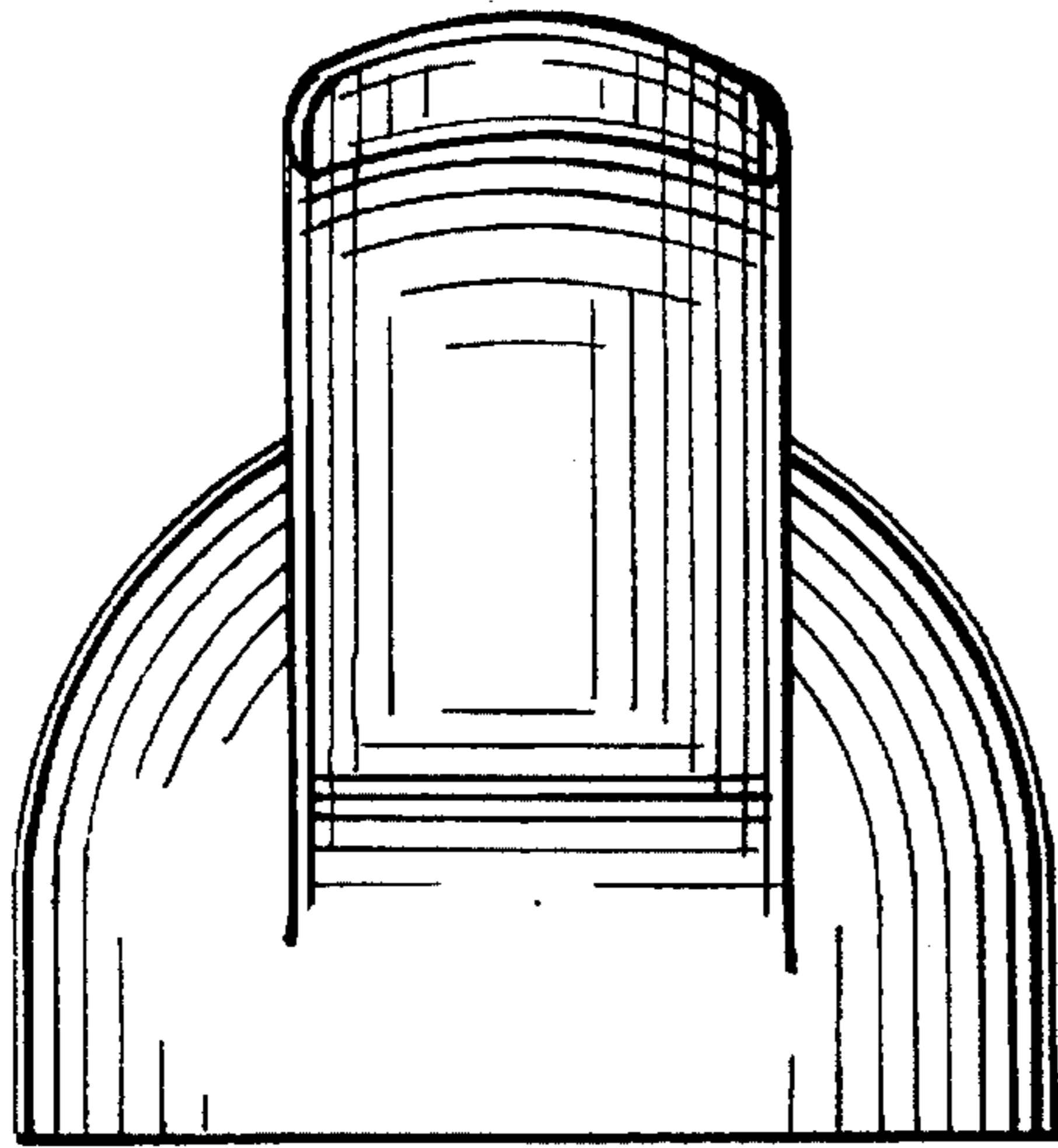


FIG. 4

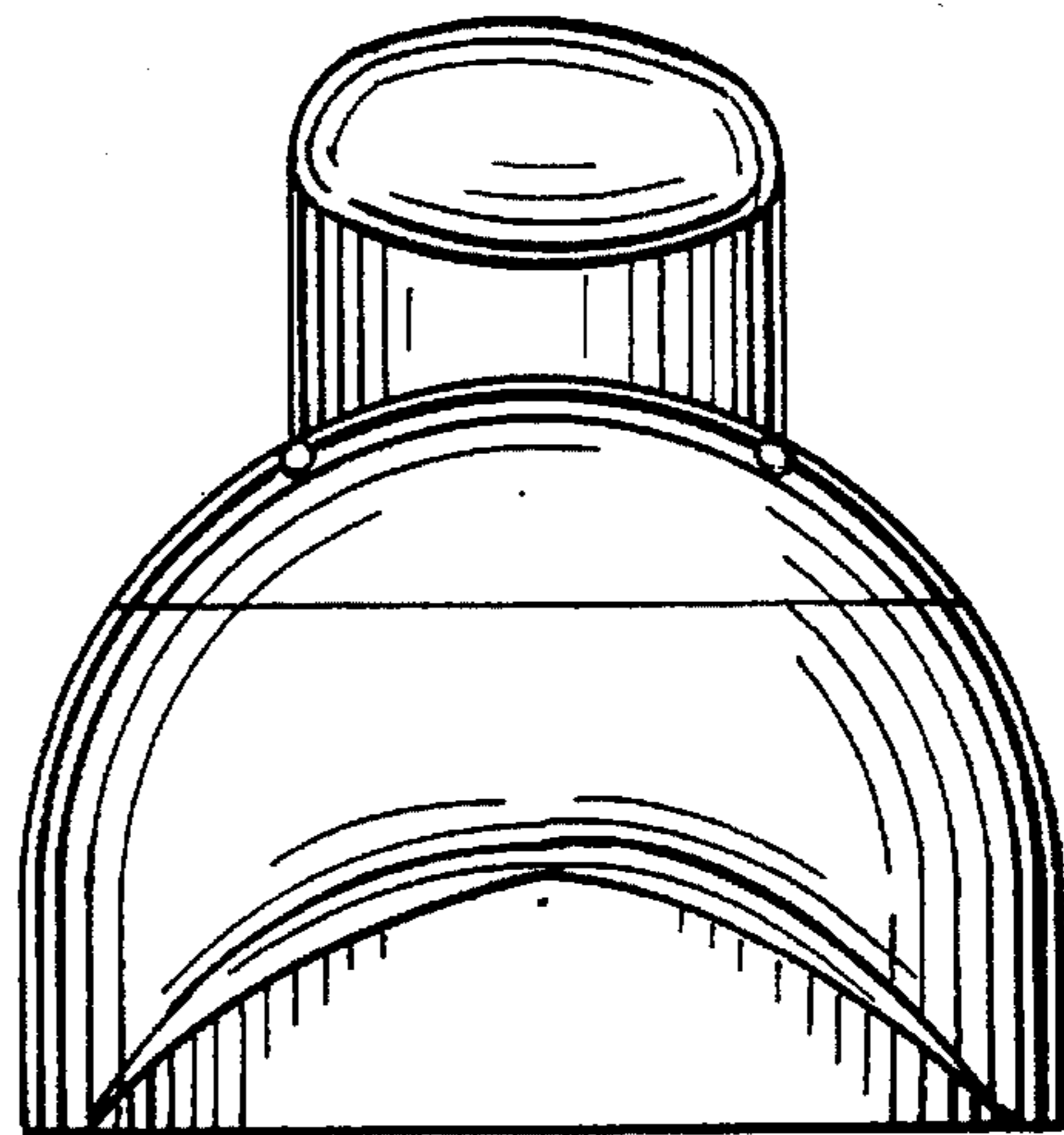


FIG. 5

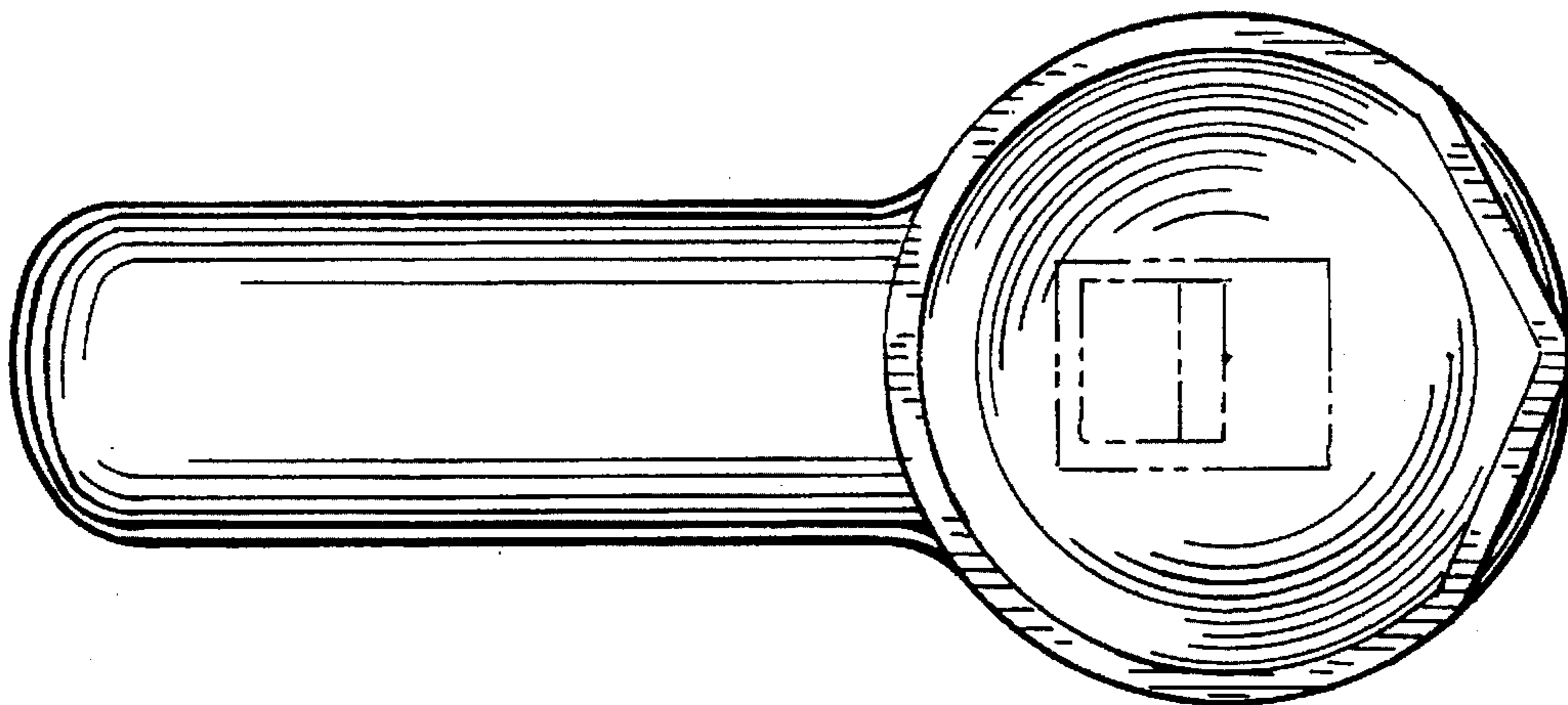


FIG. 6