



US00D379846S

United States Patent [19]

Bertoli

[11] Patent Number: Des. 379,846

[45] Date of Patent: **Jun. 10, 1997

[54] FAUCET

[75] Inventor: **Franco Bertoli**, Milan, Italy

[73] Assignee: **American Standard Inc.**, Piscataway, N.J.

[**] Term: **14 Years**

[21] Appl. No.: **40,655**

[22] Filed: **Jun. 23, 1995**

[30] Foreign Application Priority Data

Jan. 24, 1995 [IT] Italy RE9500001

[51] LOC (6) Cl. **23-01**

[52] U.S. Cl. **D23/238**

[58] Field of Search D23/238-243,
D23/250-257; 137/801; 4/675-678

[56] References Cited

U.S. PATENT DOCUMENTS

D. 324,904 3/1992 Haug et al. D23/238

D. 324,905 3/1992 Chretin D23/238
D. 344,127 2/1994 Carr et al. D23/238
D. 344,324 2/1994 Mottis D23/238
D. 364,214 11/1995 Lobermeier D23/238

Primary Examiner—Louis S. Zarfes
Assistant Examiner—Eric Watterson
Attorney, Agent, or Firm—Ann M. Knab; Elaine Brenner
Robinson

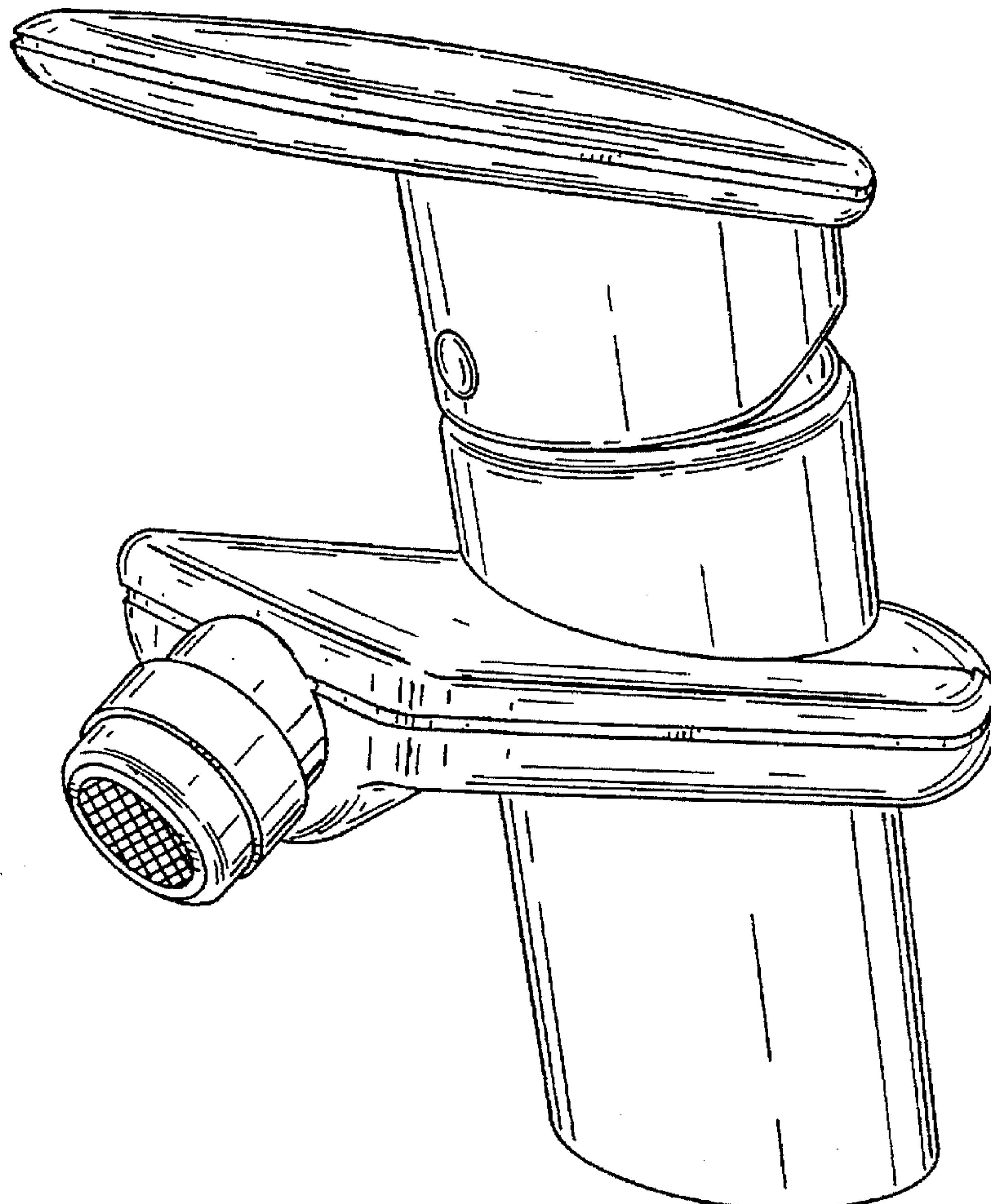
[57] CLAIM

The ornamental design for a faucet, as shown and described.

DESCRIPTION

FIG. 1 is a perspective view taken from the top, rear and right side of a faucet showing my new design; FIG. 2 is a left side view thereof, the right side being a mirror image of the left side; FIG. 3 is a rear elevational view thereof; FIG. 4 is a front elevational view thereof; FIG. 5 is a top plan view thereof; and, FIG. 6 is a bottom plan view thereof.

1 Claim, 3 Drawing Sheets



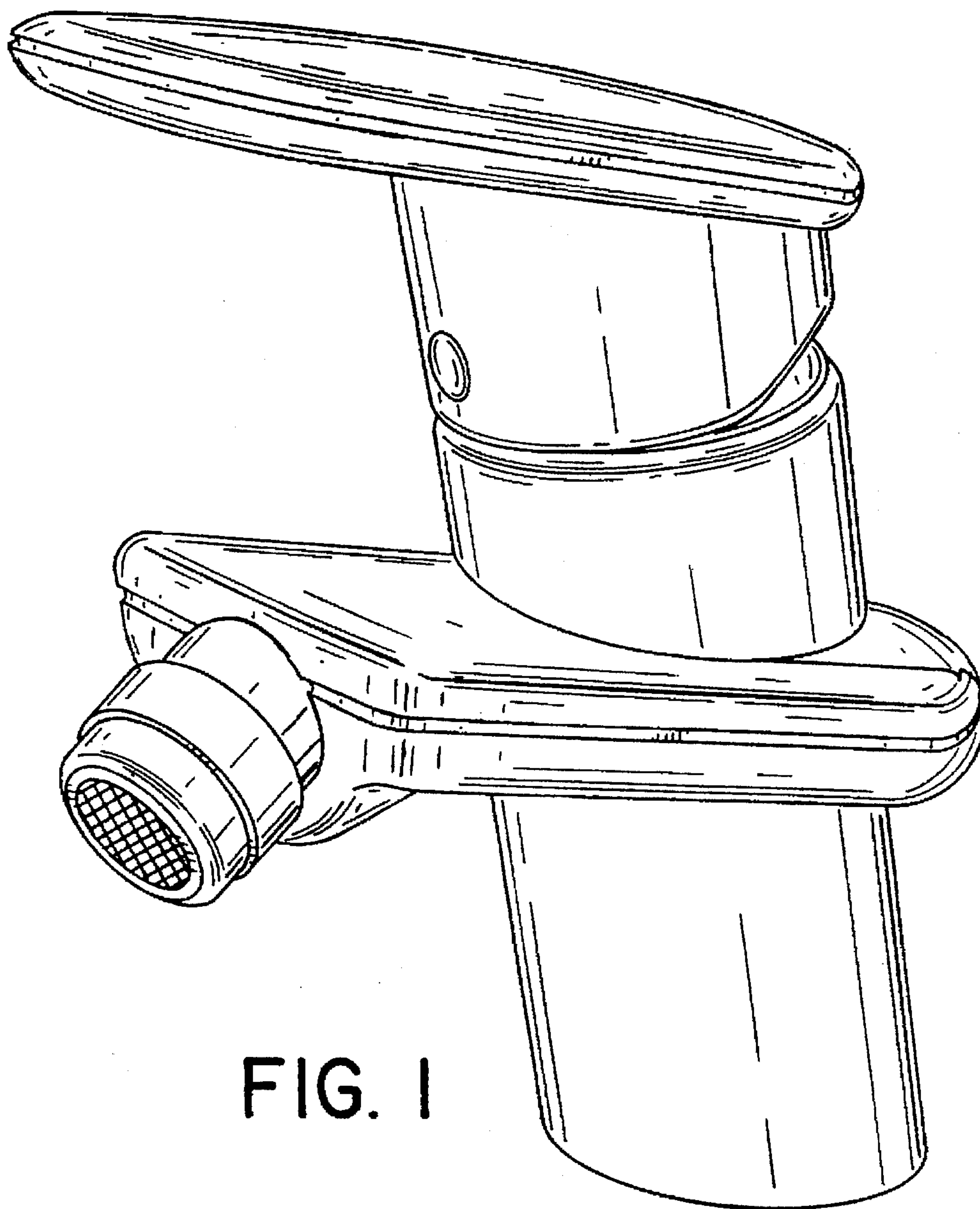
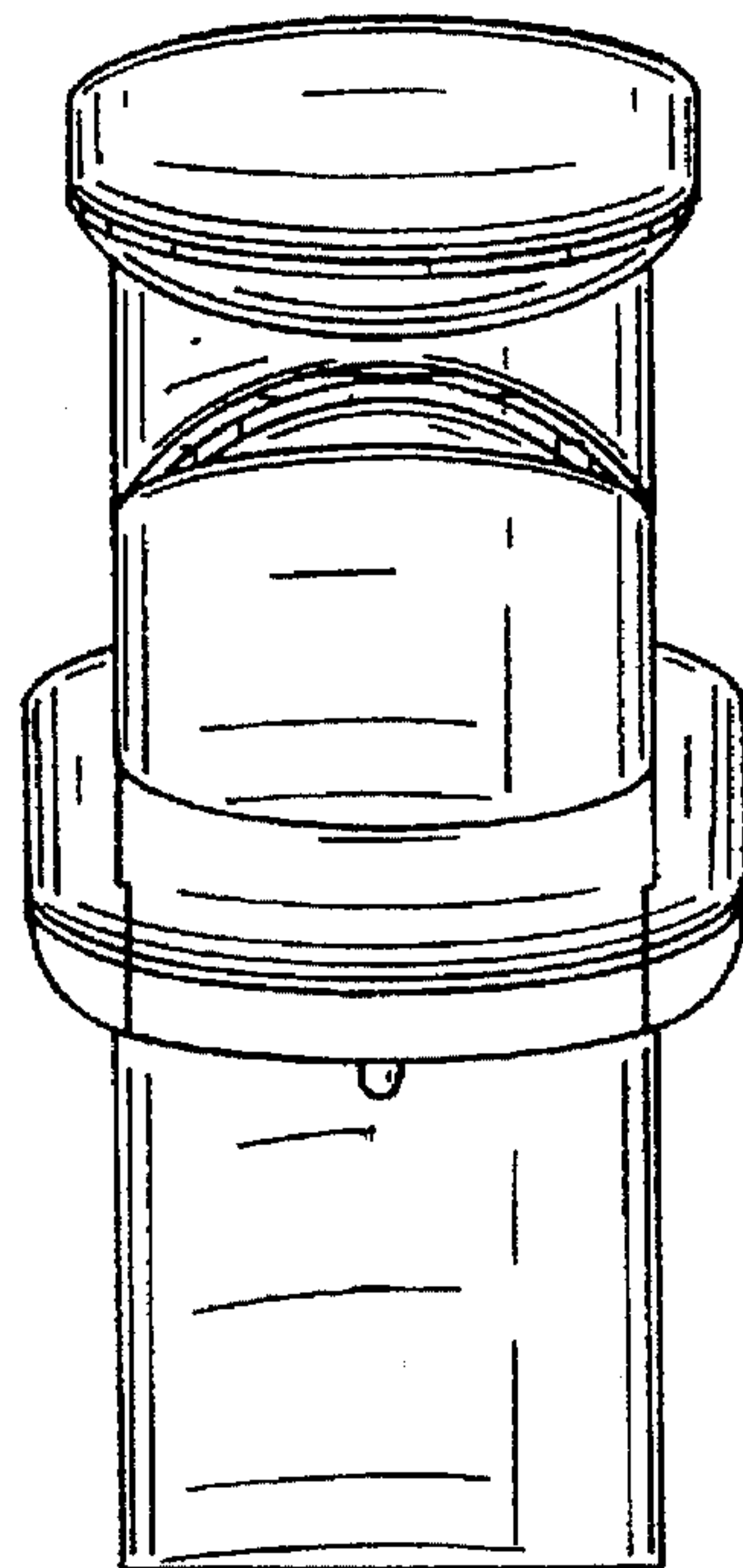
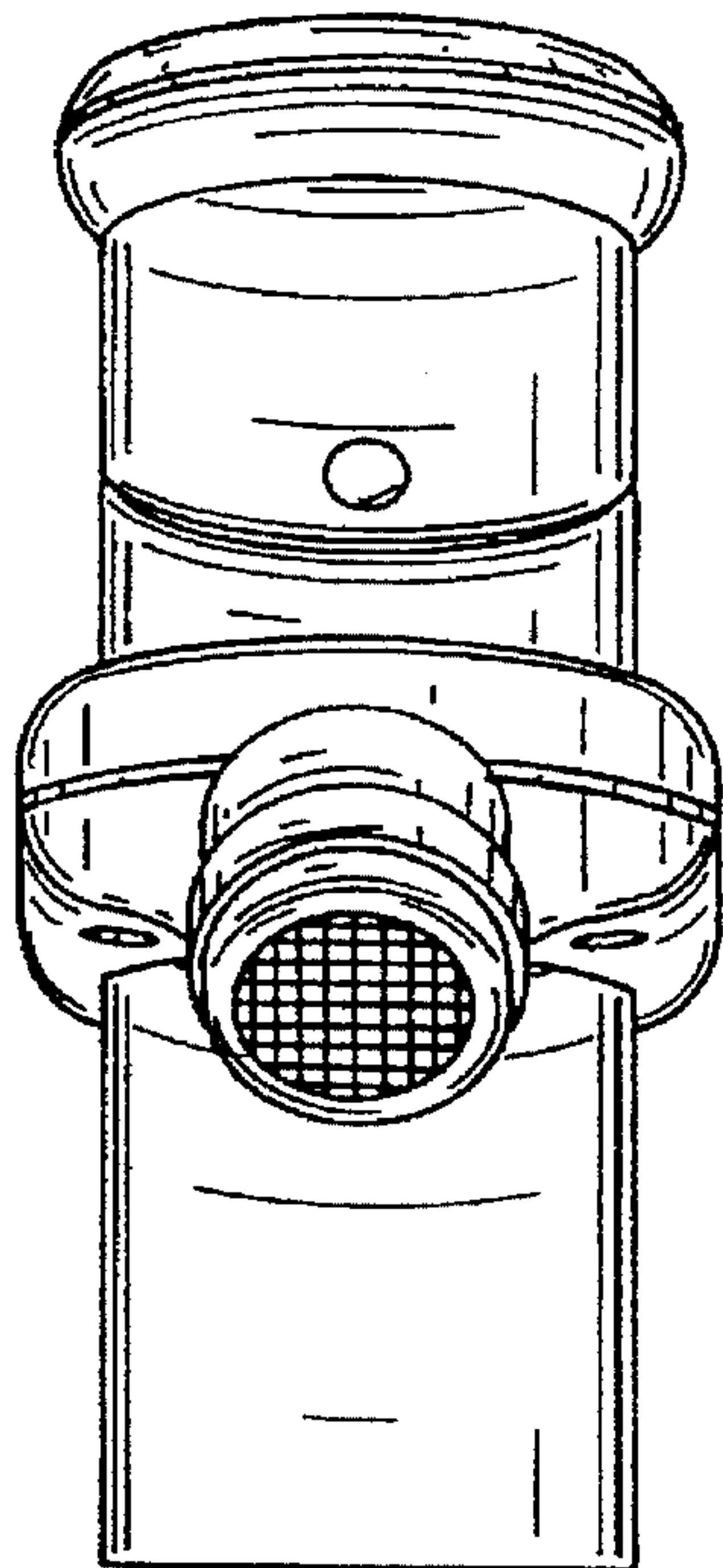
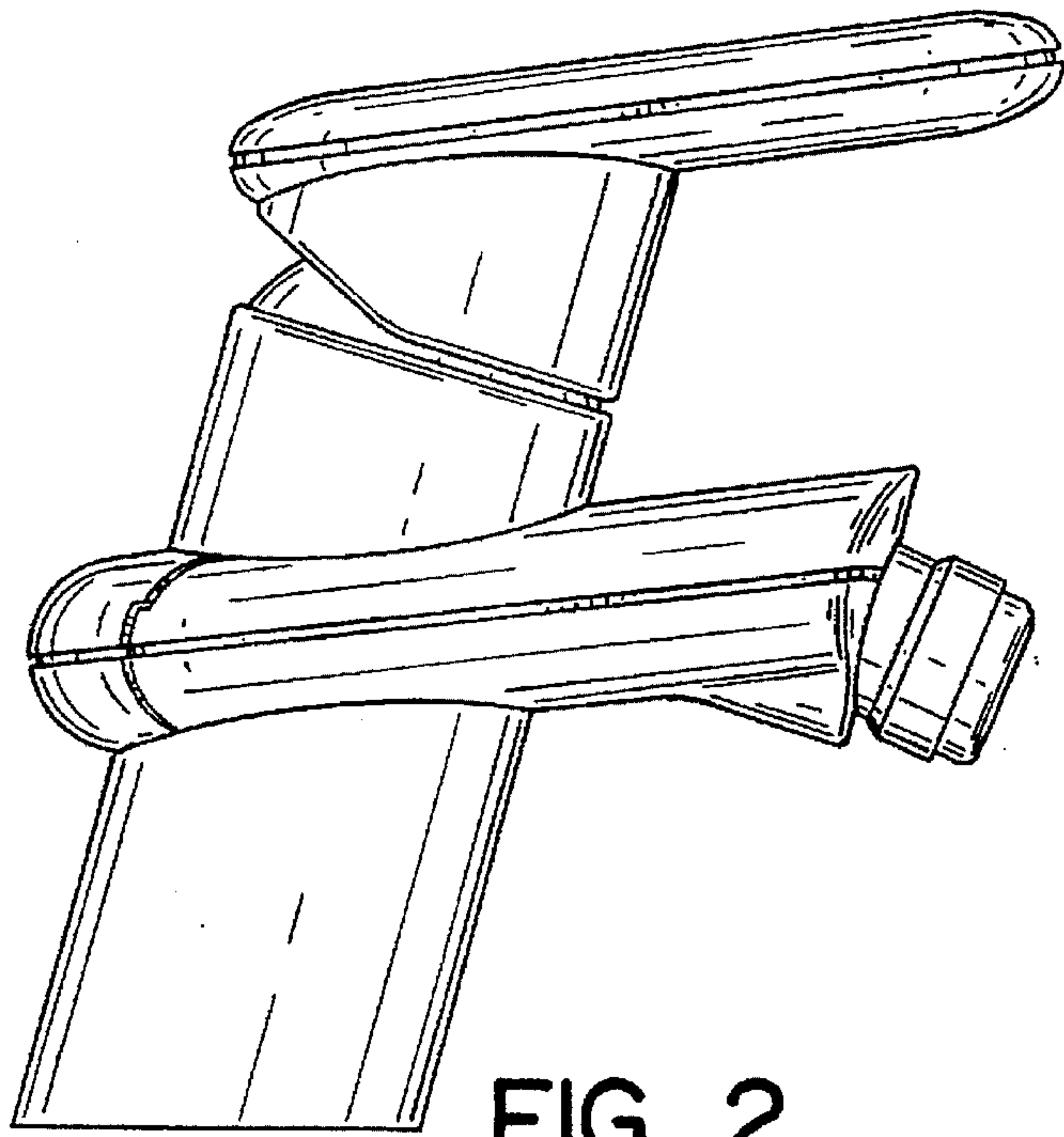


FIG. 1



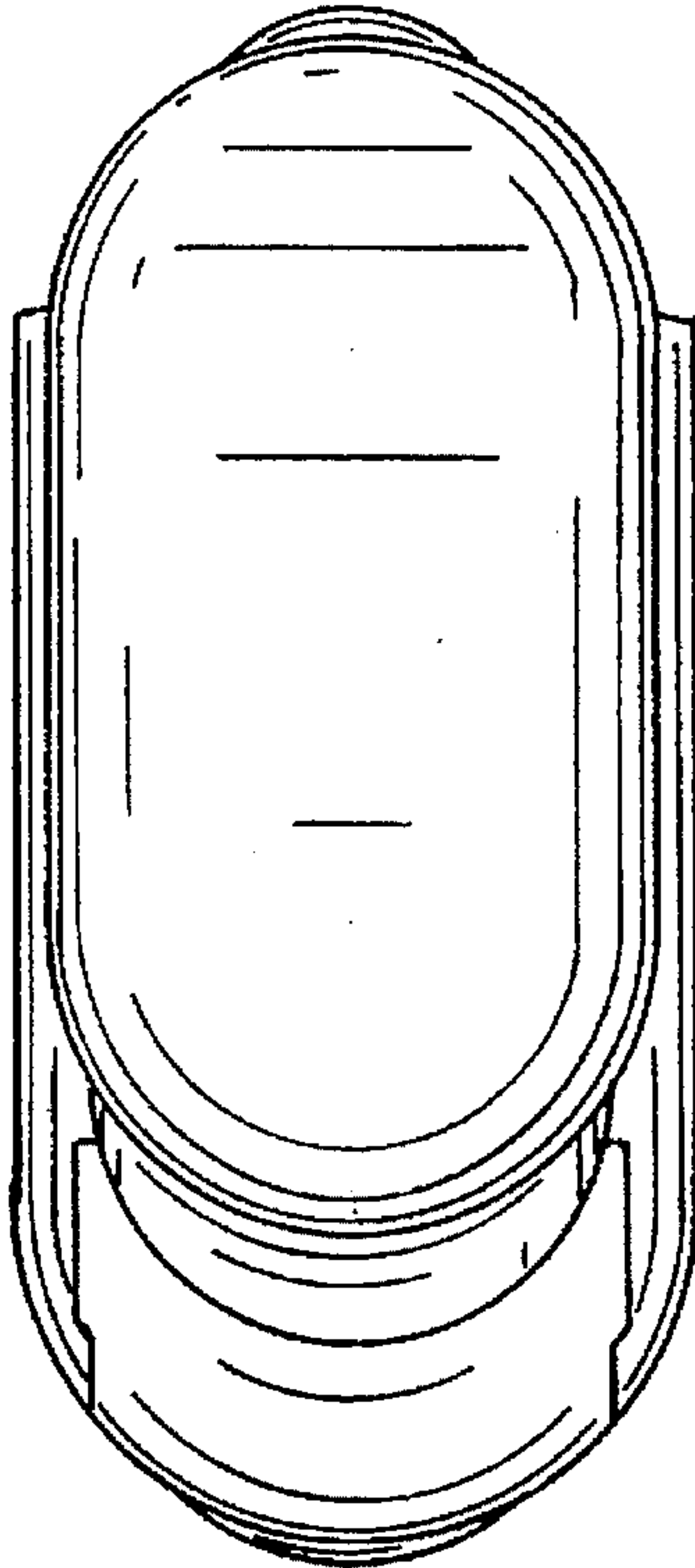


FIG. 5

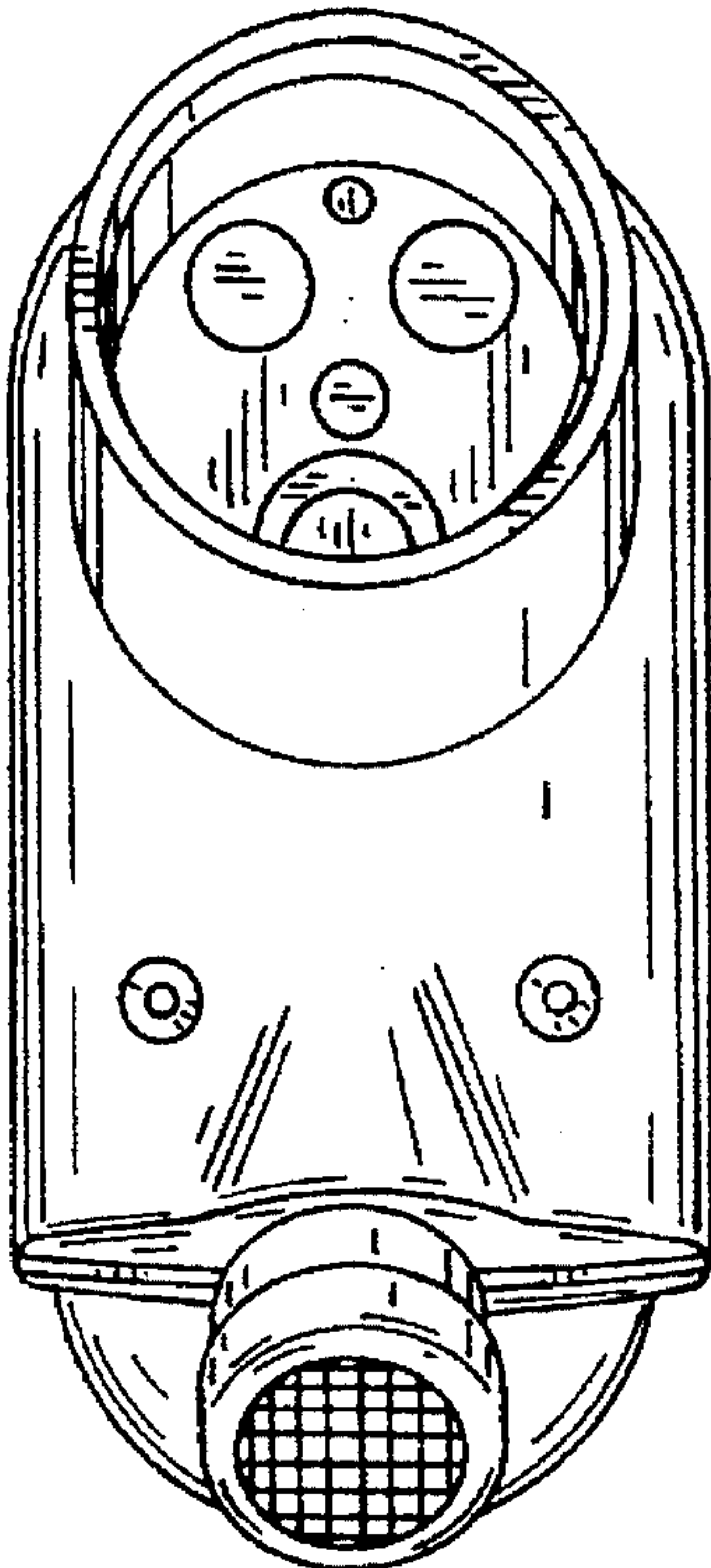


FIG. 6