



US00D379845S

United States Patent [19] Lee

[11] Patent Number: **Des. 379,845**

[45] Date of Patent: ****Jun. 10, 1997**

[54] **GAS REGULATOR**

[75] Inventor: **Edward R. Lee**, Martindale, Tex.

[73] Assignee: **S. H. Leggett Company**, San Marcos, Tex.

[**] Term: **14 Years**

[21] Appl. No.: **27,395**

[22] Filed: **Aug. 22, 1994**

Related U.S. Application Data

[63] Continuation of Ser. No. 877,598, May 1, 1992, abandoned.

[51] LOC (6) Cl. **15-01**

[52] U.S. Cl. **D23/235**

[58] Field of Search D23/233-237,
D23/244-249; 251/229, 230; 137/460, 505.42,
505.46, 519.5, 607

[56] References Cited

U.S. PATENT DOCUMENTS

D. 115,780	7/1939	Carnes	D23/235
D. 154,624	7/1949	Nieseman et al.	D23/235
D. 168,641	1/1953	St. Clair et al.	D23/235
D. 181,319	10/1957	Schutmaat	D23/235
360,890	4/1887	Kieley	137/505.46 X
408,873	8/1889	Crozier	137/505.46 X

OTHER PUBLICATIONS

Exhibit 1—An 8 1/2×14" sheet of 6 colored photographs of apparatus previously sold to the public Admitted prior art.

Exhibit 2—An 8 1/2×14" sheet of 6 colored photographs of apparatus previously sold to the public Admitted prior art.

Exhibit 3—An 8 1/2×14" sheet of 5 colored photographs of modified apparatus sold to the public Admitted prior art.

Exhibit 4—An 8 1/2×14" sheet of 5 colored photographs of modified apparatus sold to the public Admitted prior art.

Exhibit 5—An 8 1/2×14" sheet of 5 colored photographs of modified apparatus sold to the public Admitted prior art.

Primary Examiner—Louis S. Zarfes

Assistant Examiner—Eric Watterson

Attorney, Agent, or Firm—Price, Heneveld, Cooper, DeWitt & Litton

[57] CLAIM

The ornamental design for the gas regulator, as shown and described.

DESCRIPTION

FIG. 1 is an overhead plan view of a gas regulator embodying my design;

FIG. 2 is a side elevational view thereof;

FIG. 3 is a bottom plan view thereof;

FIG. 4 is a front elevational view thereof;

FIG. 5 is a rear elevational view thereof; and

FIG. 6 is an overhead plan view similar to FIG. 1 but showing a first alternative embodiment thereof;

FIG. 7 is a side elevational view thereof;

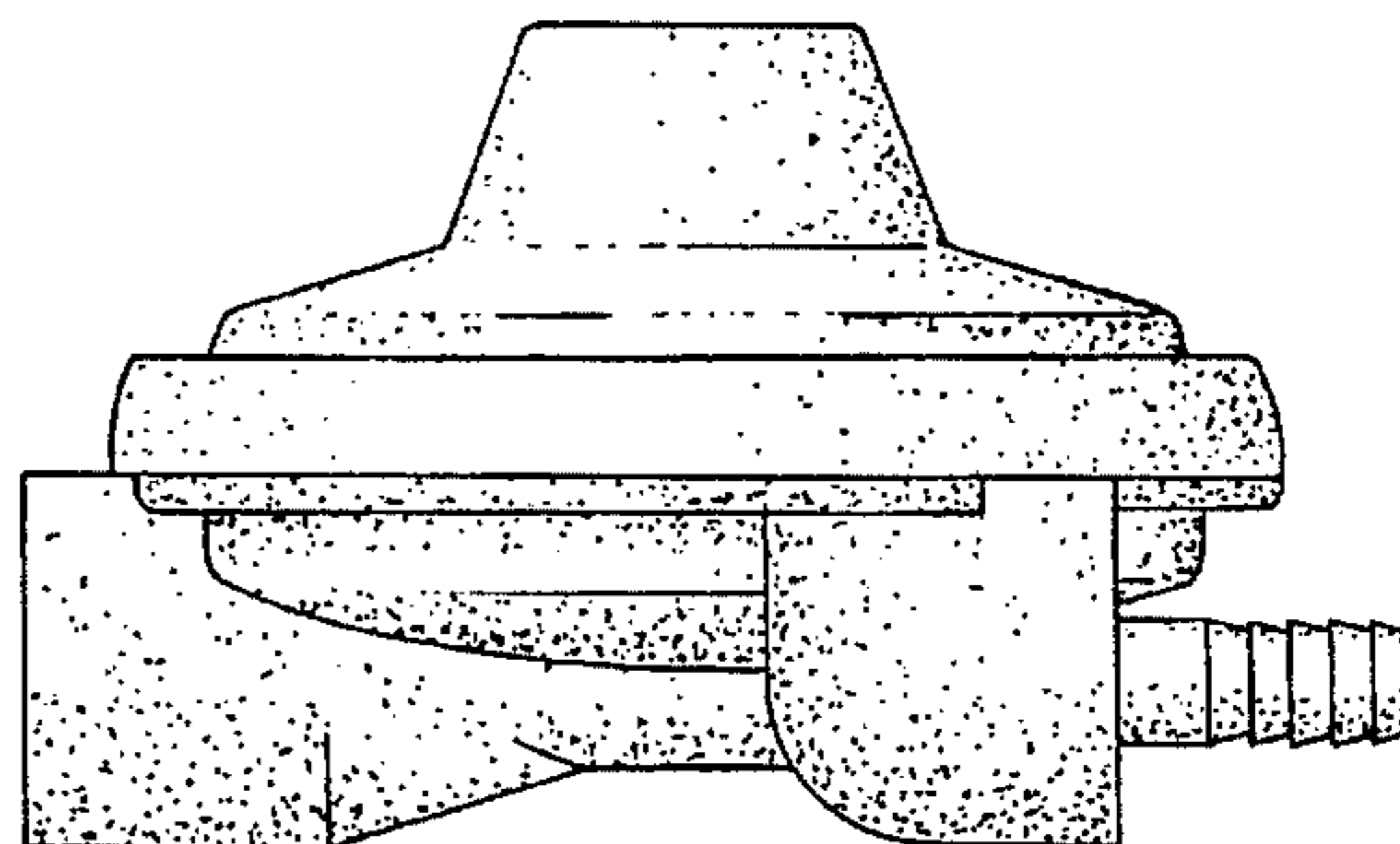
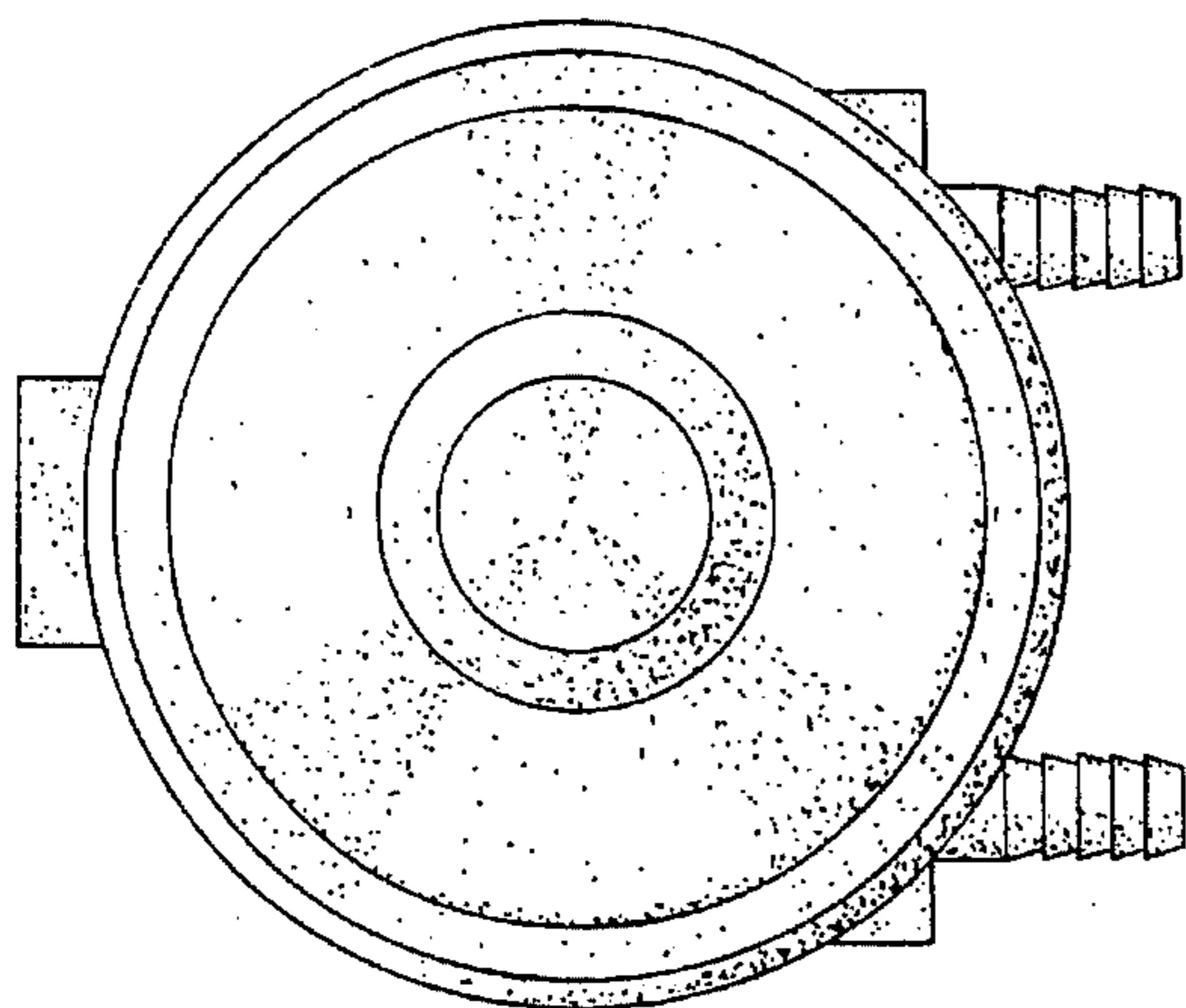
FIG. 8 is a bottom plan view thereof;

FIG. 9 is a front elevational view thereof; and,

FIG. 10 is a rear elevational view thereof.

The side elevational view of each respective embodiment which is not shown in the drawings is a mirror image of the side view thereof which is shown.

1 Claim, 4 Drawing Sheets



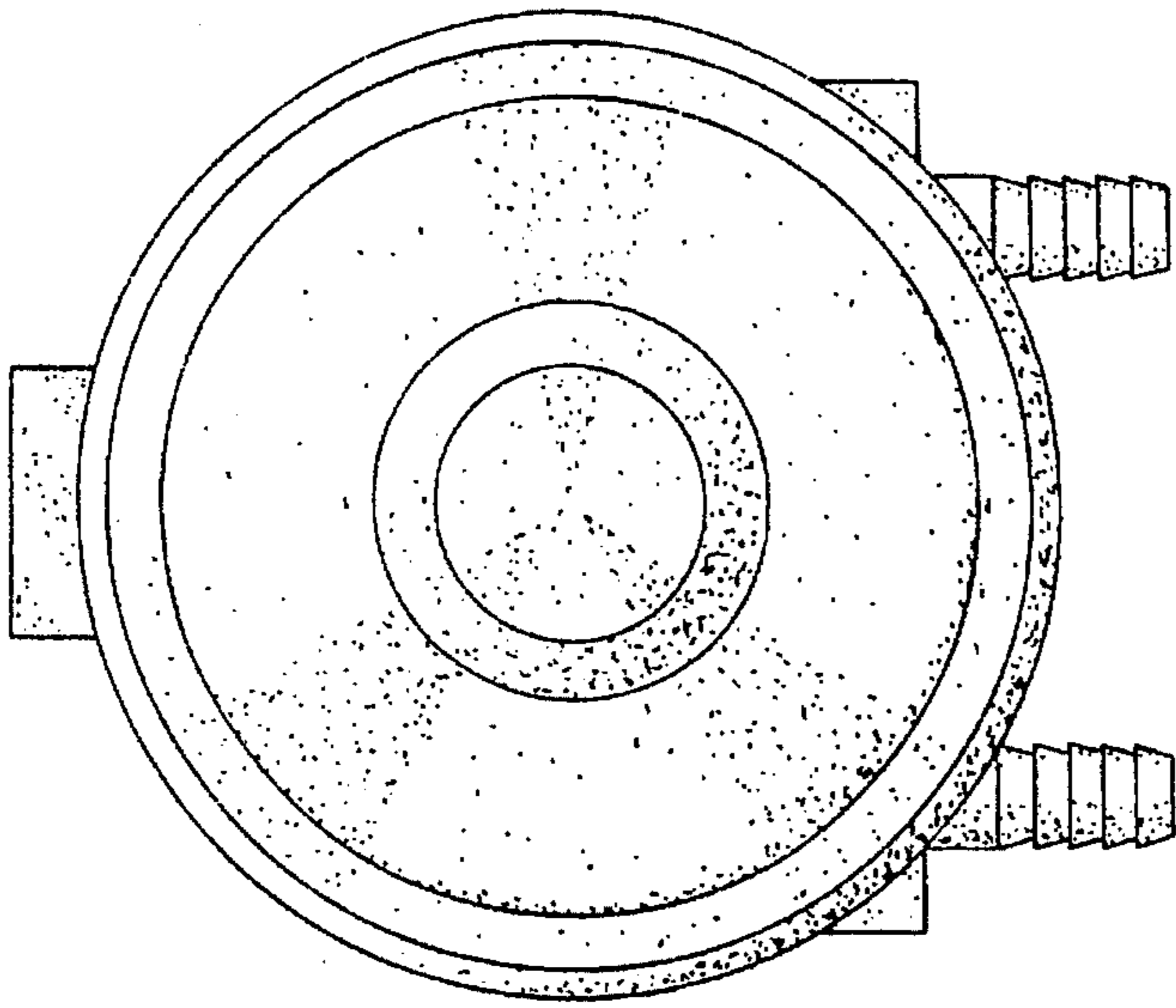


FIG. 1

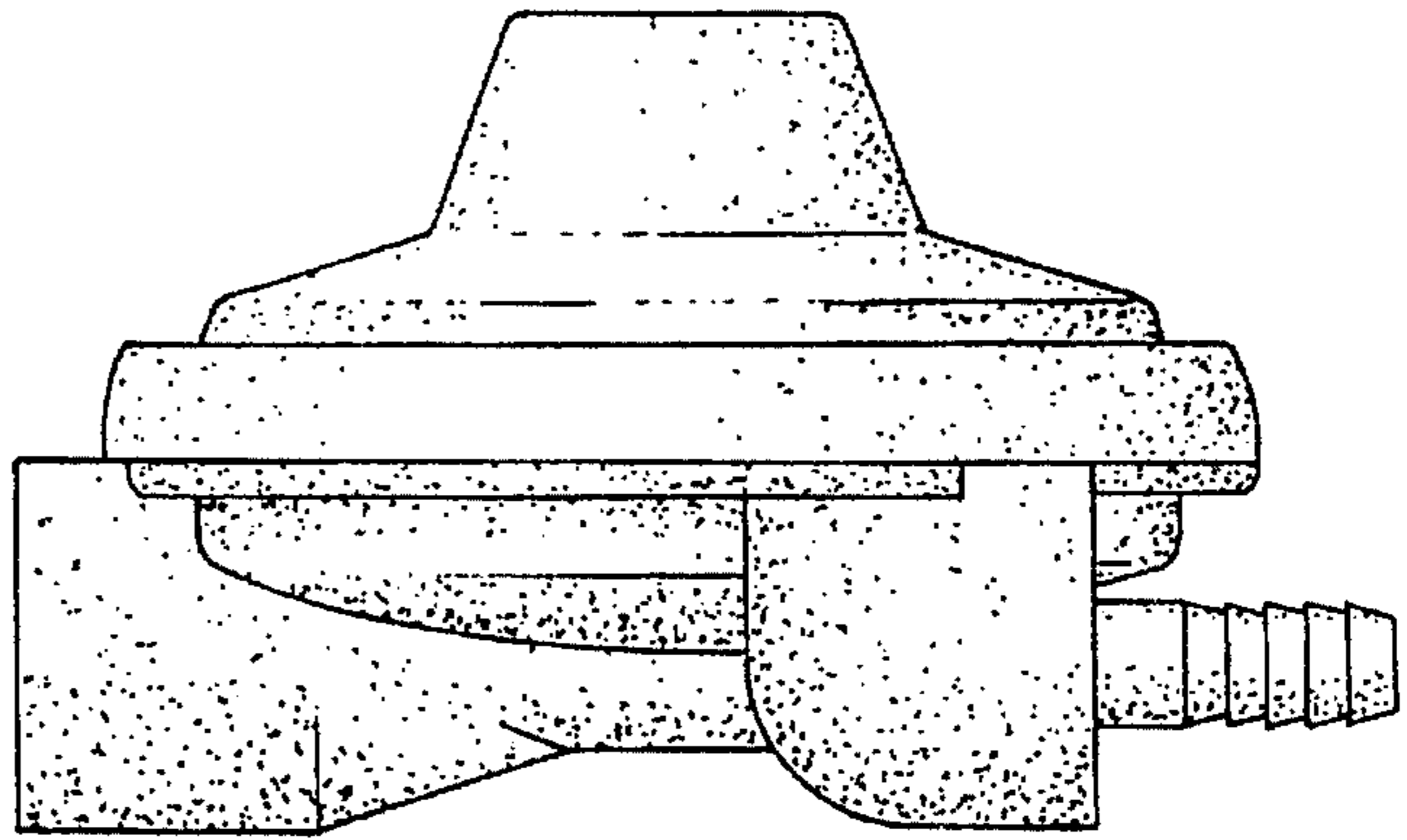


FIG. 2

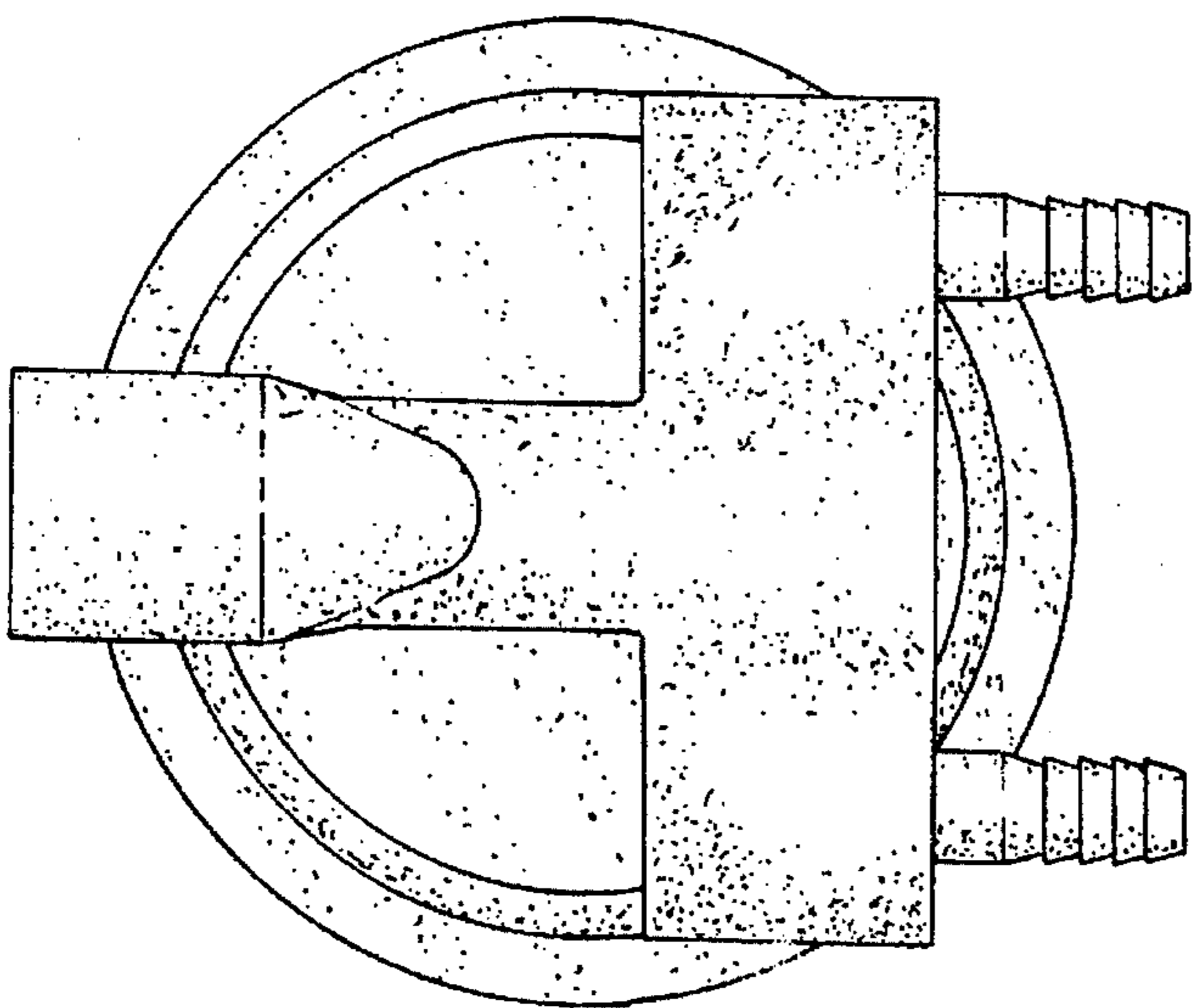


FIG. 3

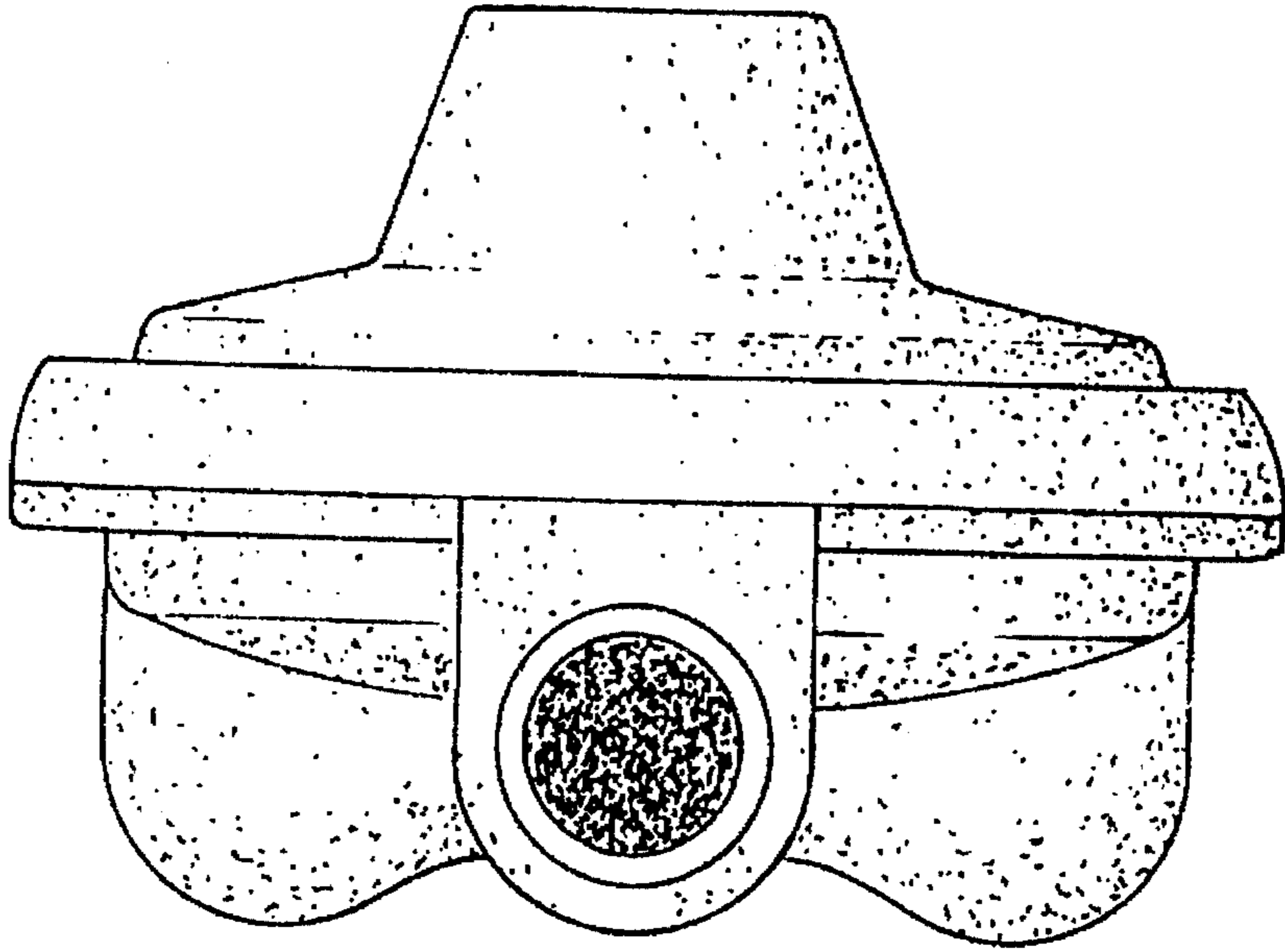


FIG. 4

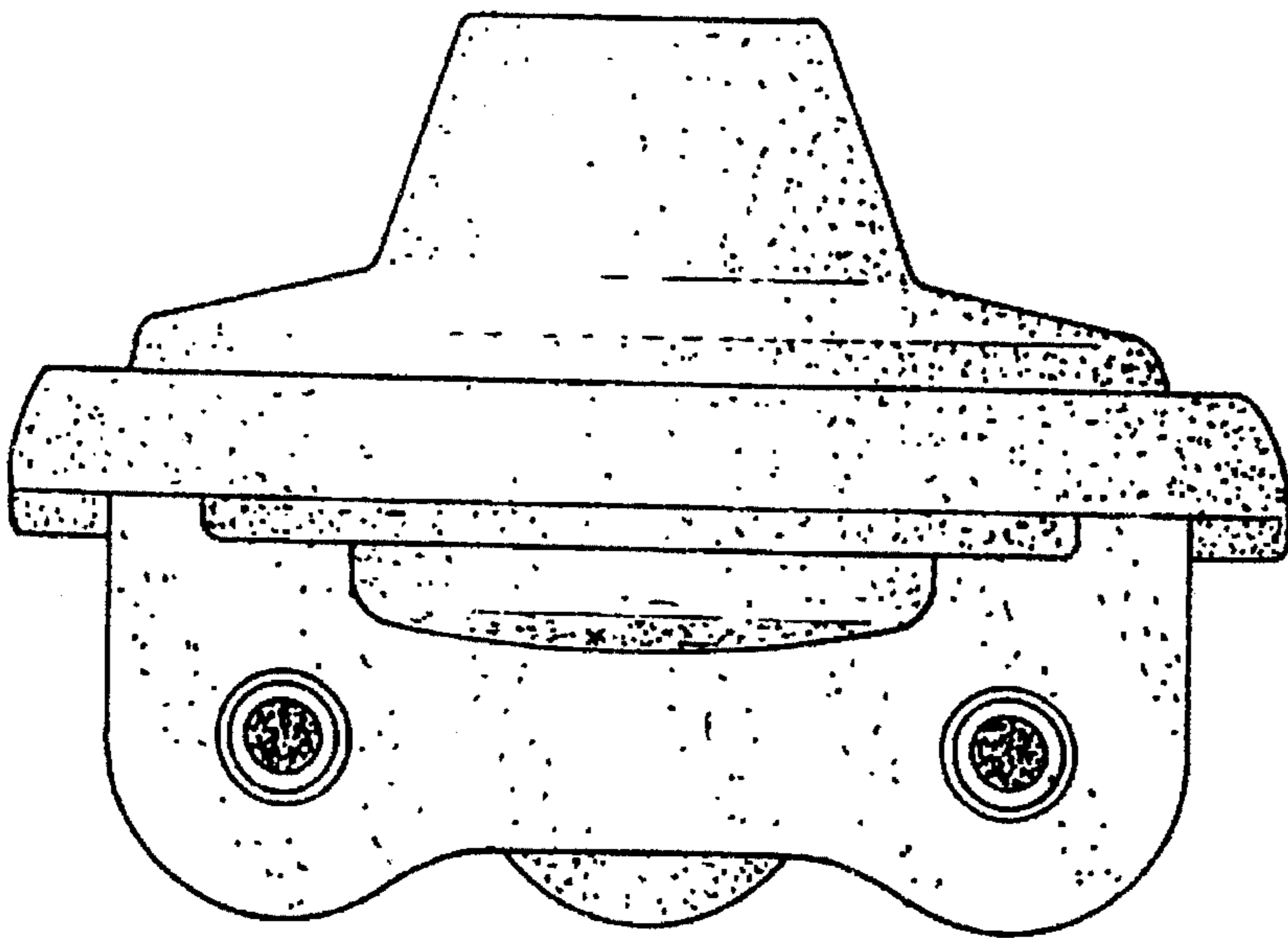


FIG. 5

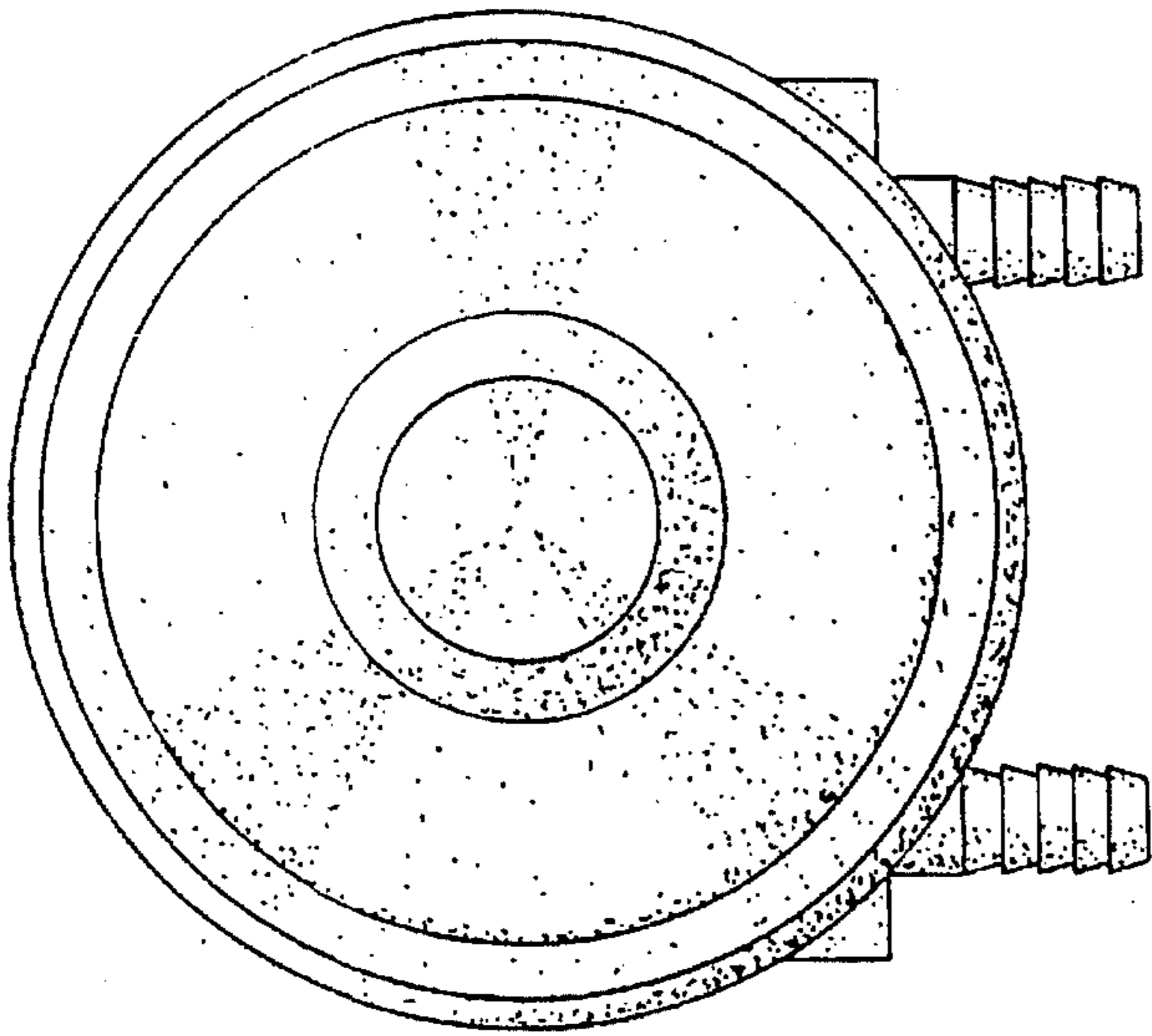


FIG. 6

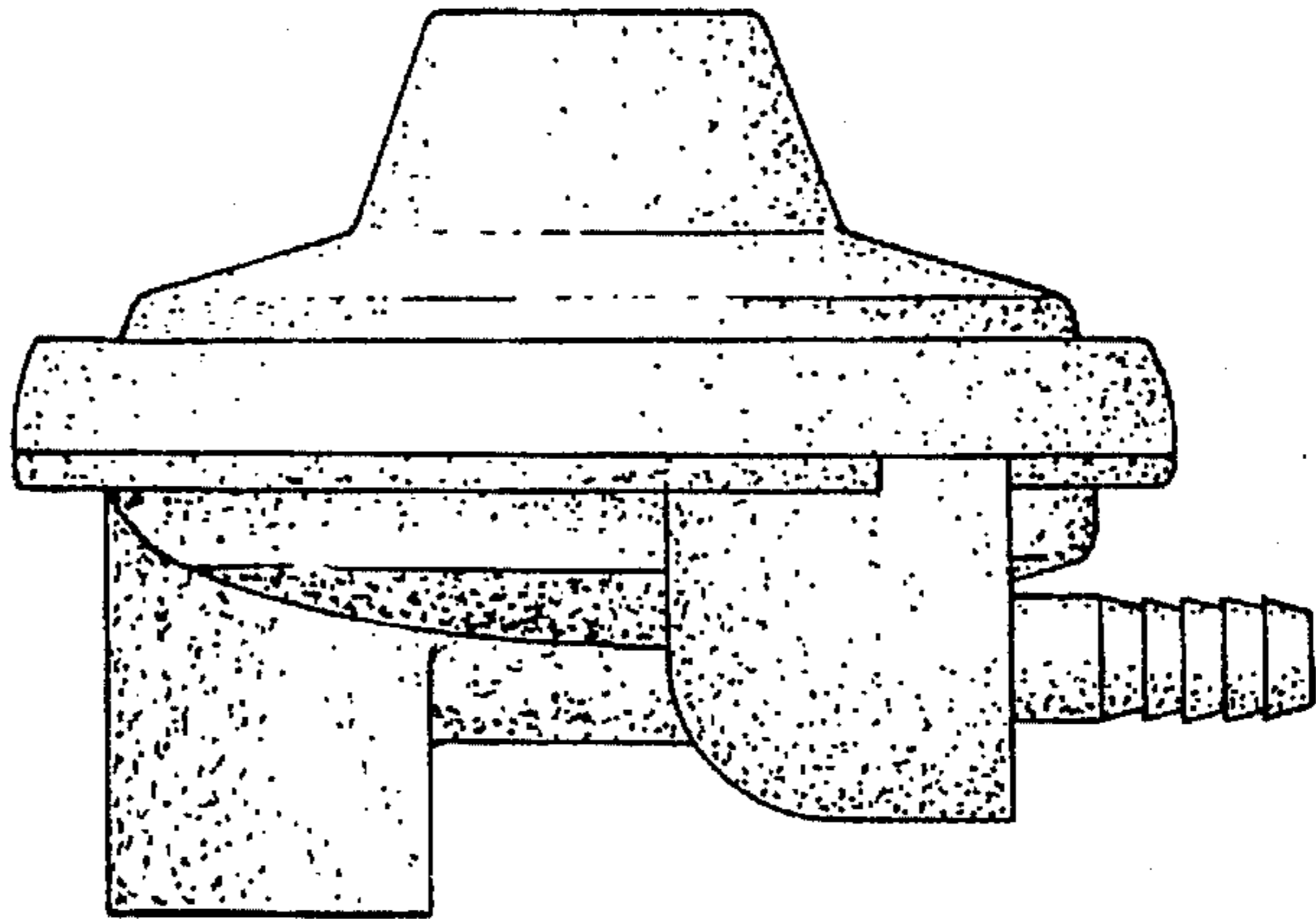


FIG. 7

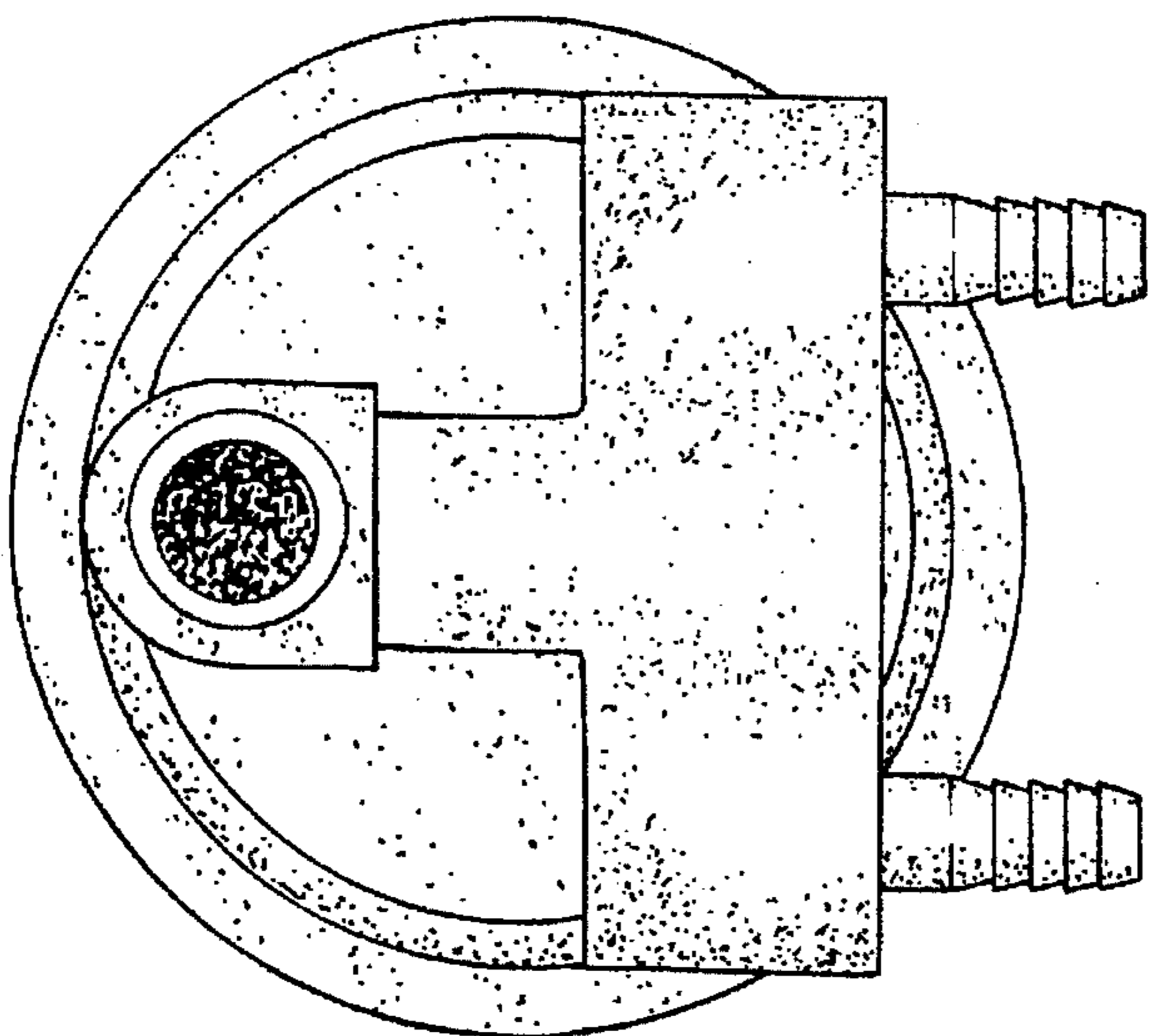


FIG. 8

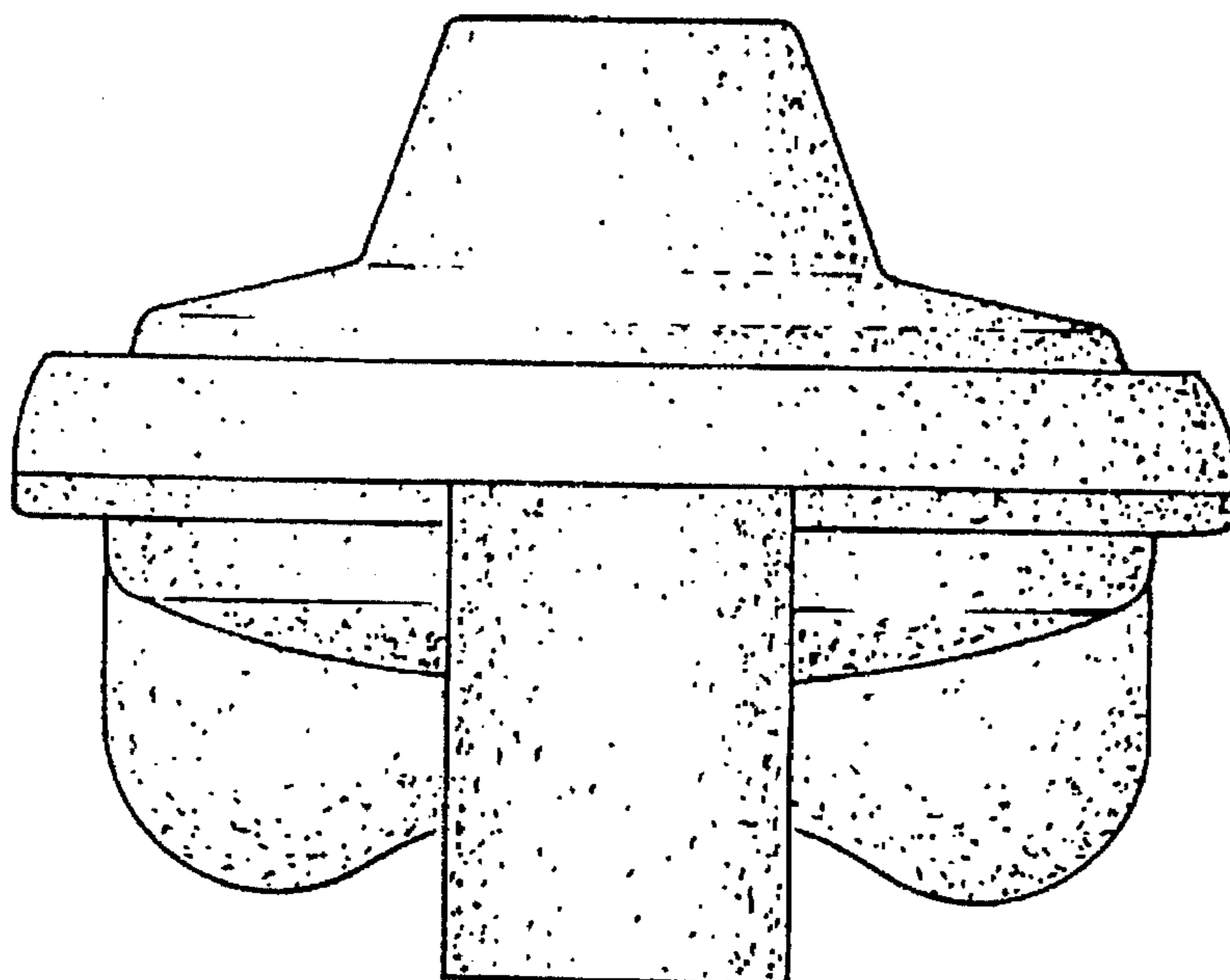


FIG. 9

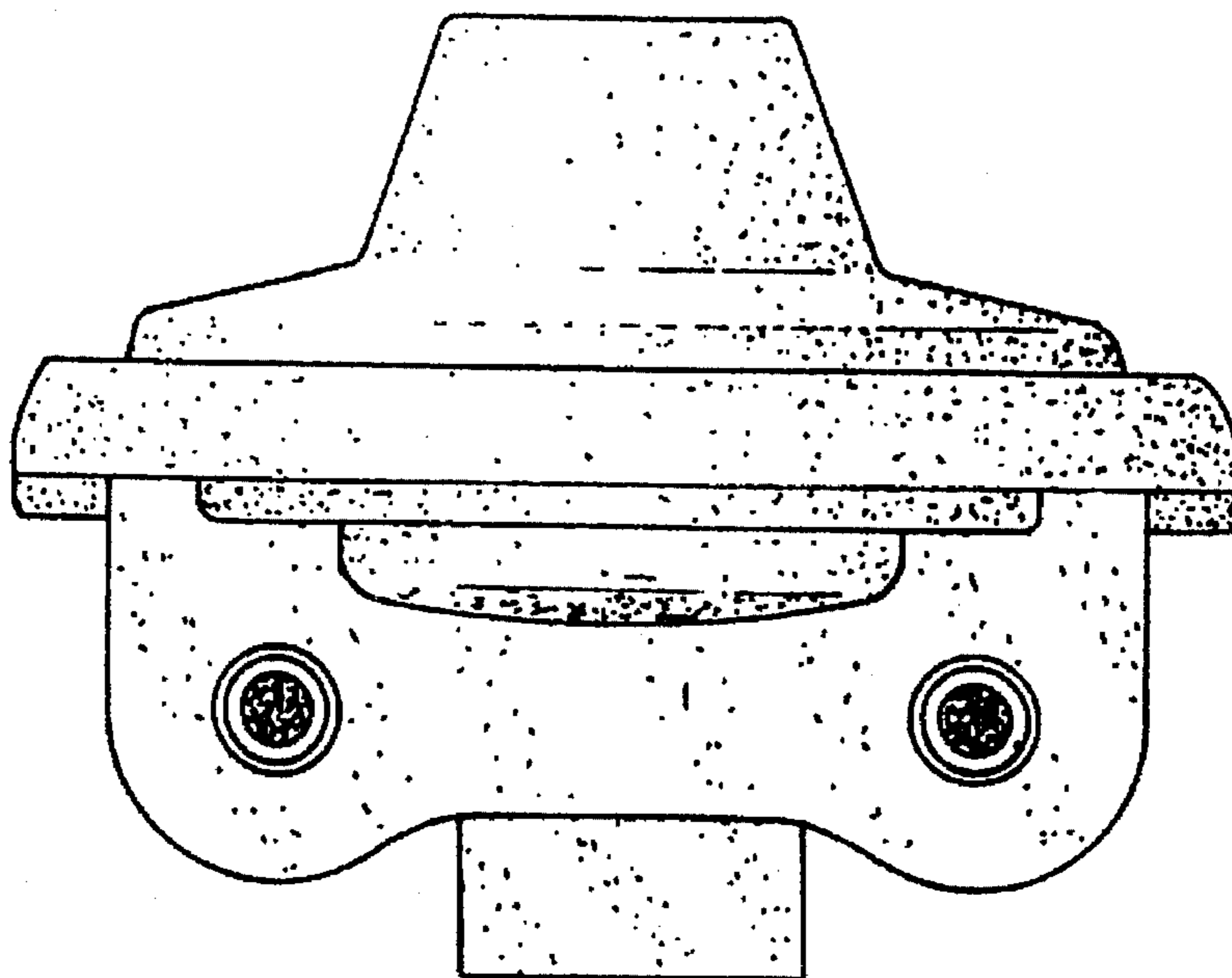


FIG. 10