



US00D379844S

United States Patent [19] Itafuji

[11] Patent Number: **Des. 379,844**

[45] Date of Patent: ****Jun. 10, 1997**

[54] **AIR OPERATED VALVE**

[75] Inventor: **Hiroshi Itafuji, Kasugai, Japan**

[73] Assignee: **CKD Kabushiki Kaisha, Komaki, Japan**

[**] Term: **14 Years**

[21] Appl. No.: **35,854**

[22] Filed: **Mar. 8, 1995**

[30] **Foreign Application Priority Data**

Nov. 11, 1994 [JP] Japan 6-35562

[51] **LOC (6) Cl.** **23-01**

[52] **U.S. Cl.** **D23/233**

[58] **Field of Search** **D23/233-237, D23/244-249; 137/560, 596.17, 625.6, 625.65, 627.5; 251/60, 63.4, 63.6, 63.5**

[56] **References Cited**

U.S. PATENT DOCUMENTS

D. 223,095 3/1972 Allen D23/233

D. 331,449 12/1992 Adishian et al. D23/233
3,712,340 1/1973 Deem 137/627.5
3,788,603 1/1974 Snider 137/560 X
4,926,905 5/1990 Helfenstein 137/596.17 X

Primary Examiner—Stella Reid
Assistant Examiner—Eric Watterson
Attorney, Agent, or Firm—Kuhn and Muller

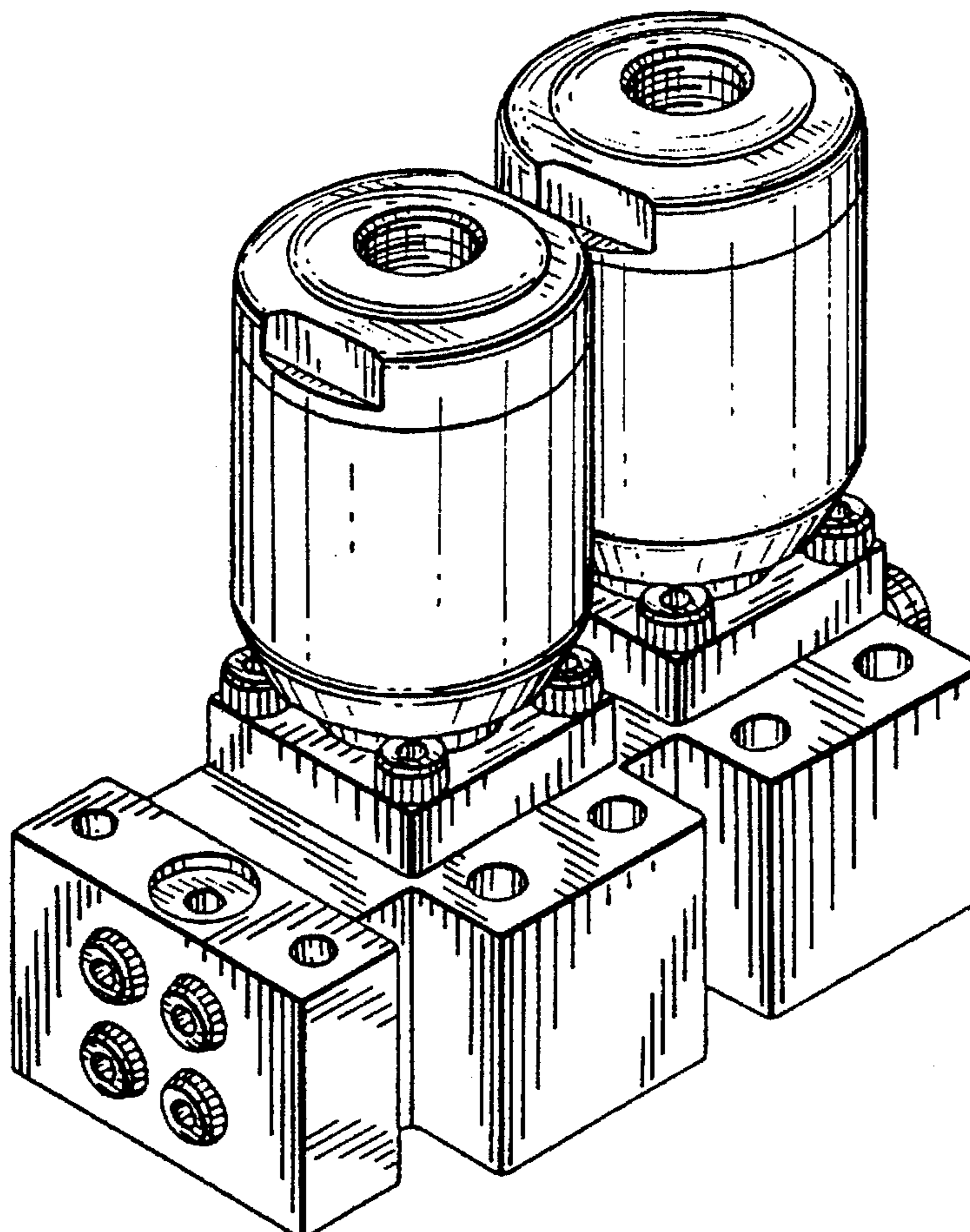
[57] **CLAIM**

The ornamental design for the air operated valve, as shown and described.

DESCRIPTION

FIG. 1 is a perspective view of the air operated valve; FIG. 2 is a top plan view thereof; FIG. 3 is a front elevational view thereof; FIG. 4 is a left side elevational view thereof; FIG. 5 is a right side elevational view thereof; FIG. 6 is a rear view thereof; and, FIG. 7 is a bottom view thereof.

1 Claim, 2 Drawing Sheets



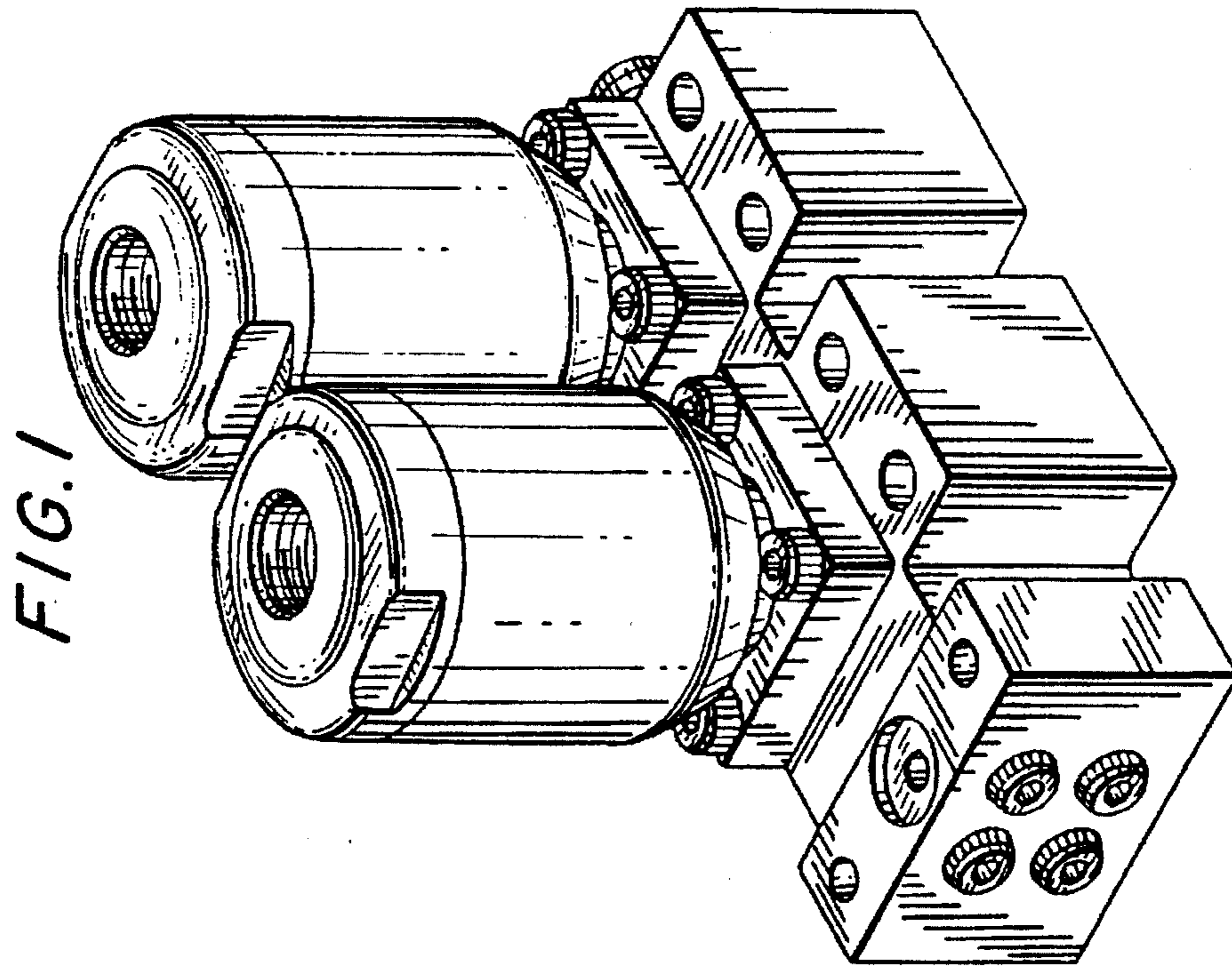
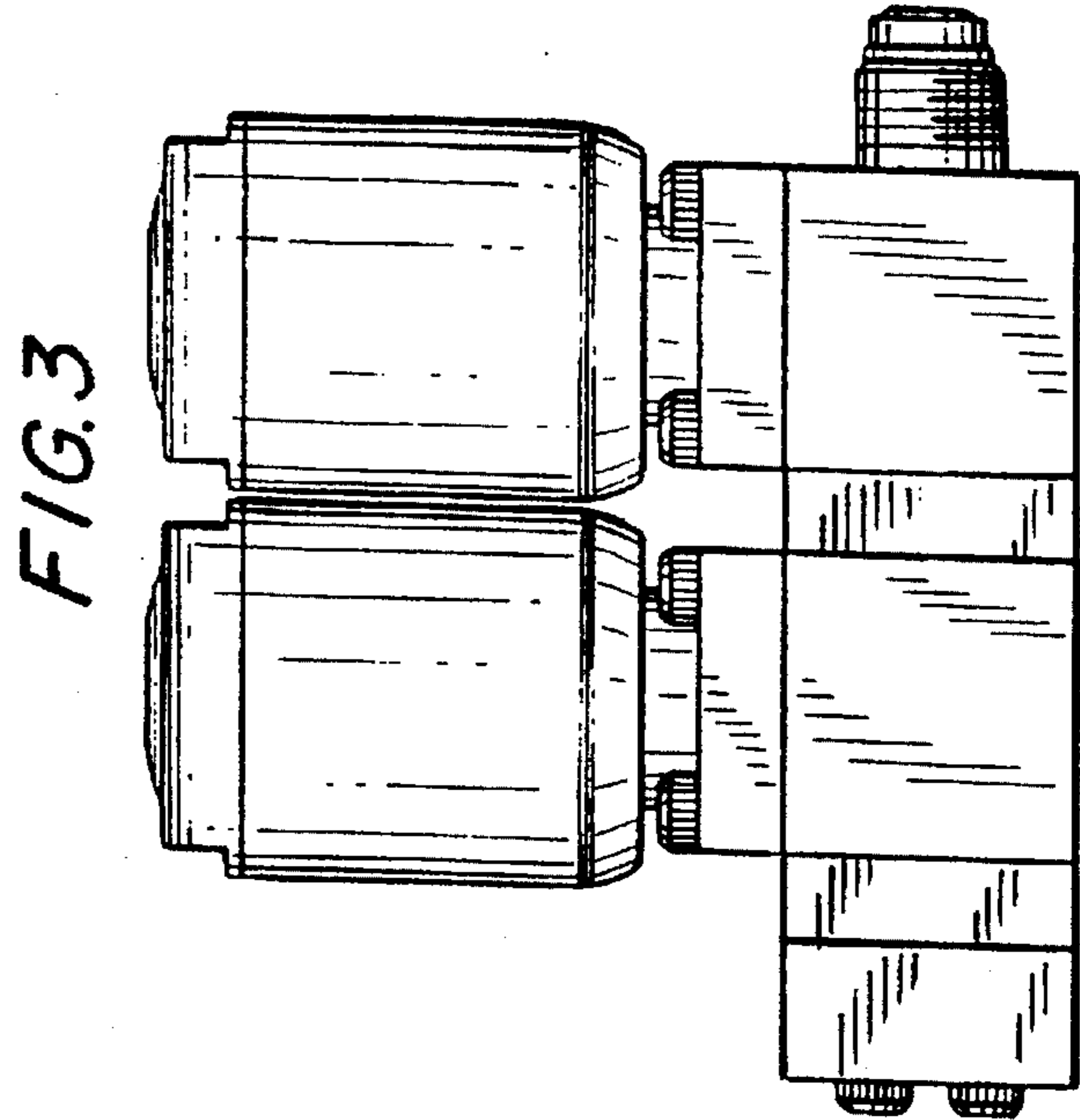
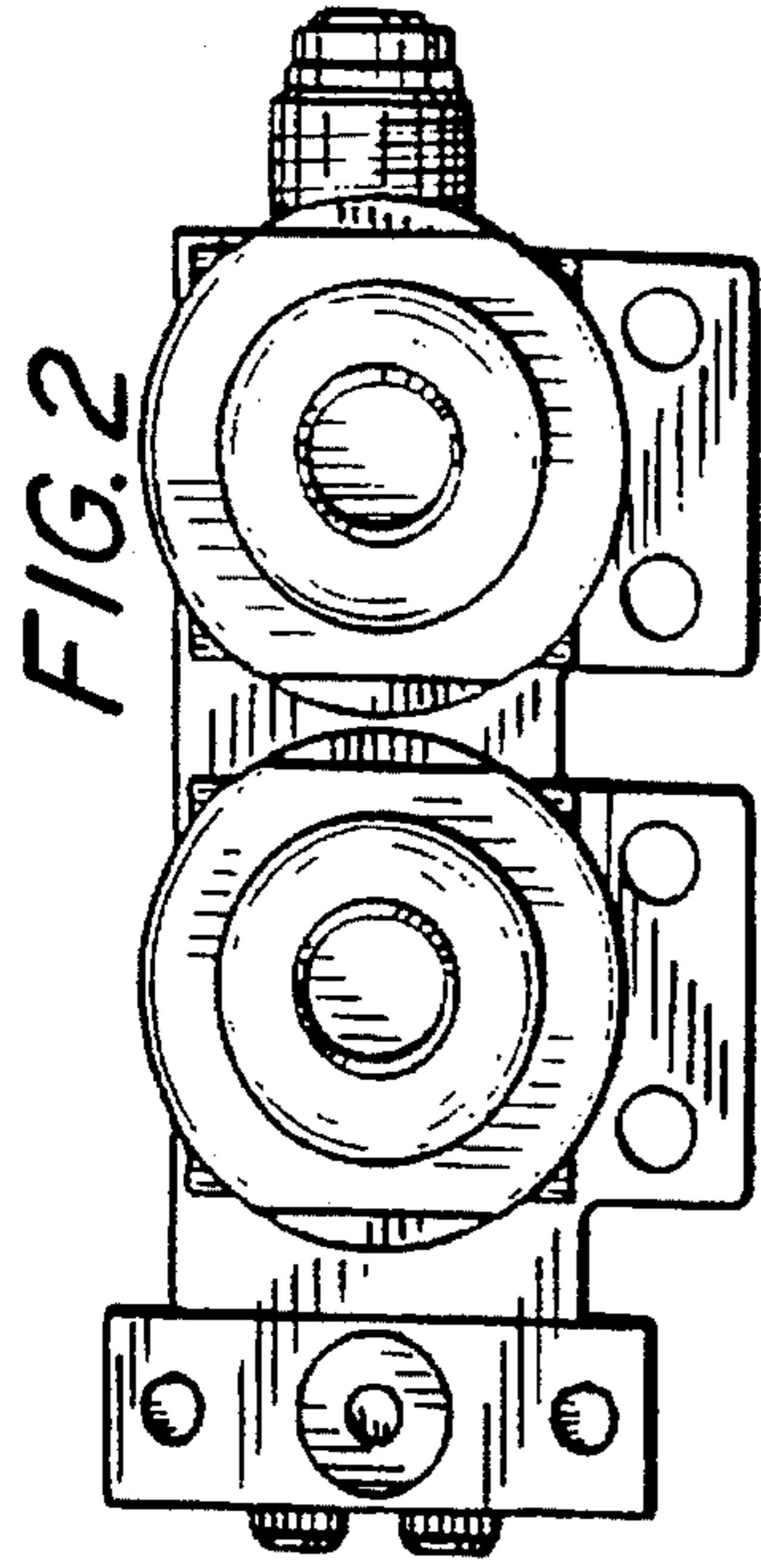


FIG. 4

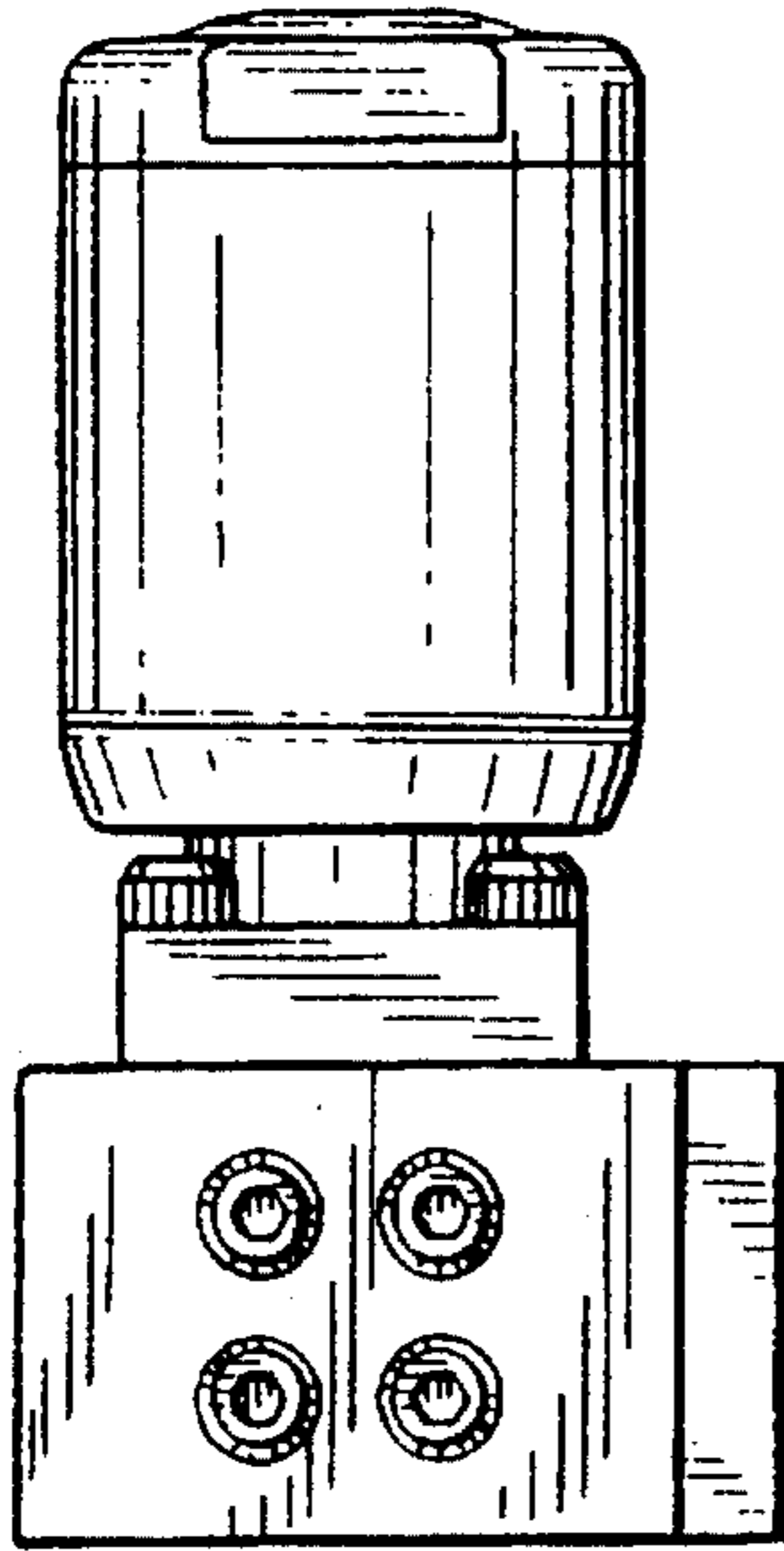


FIG. 6

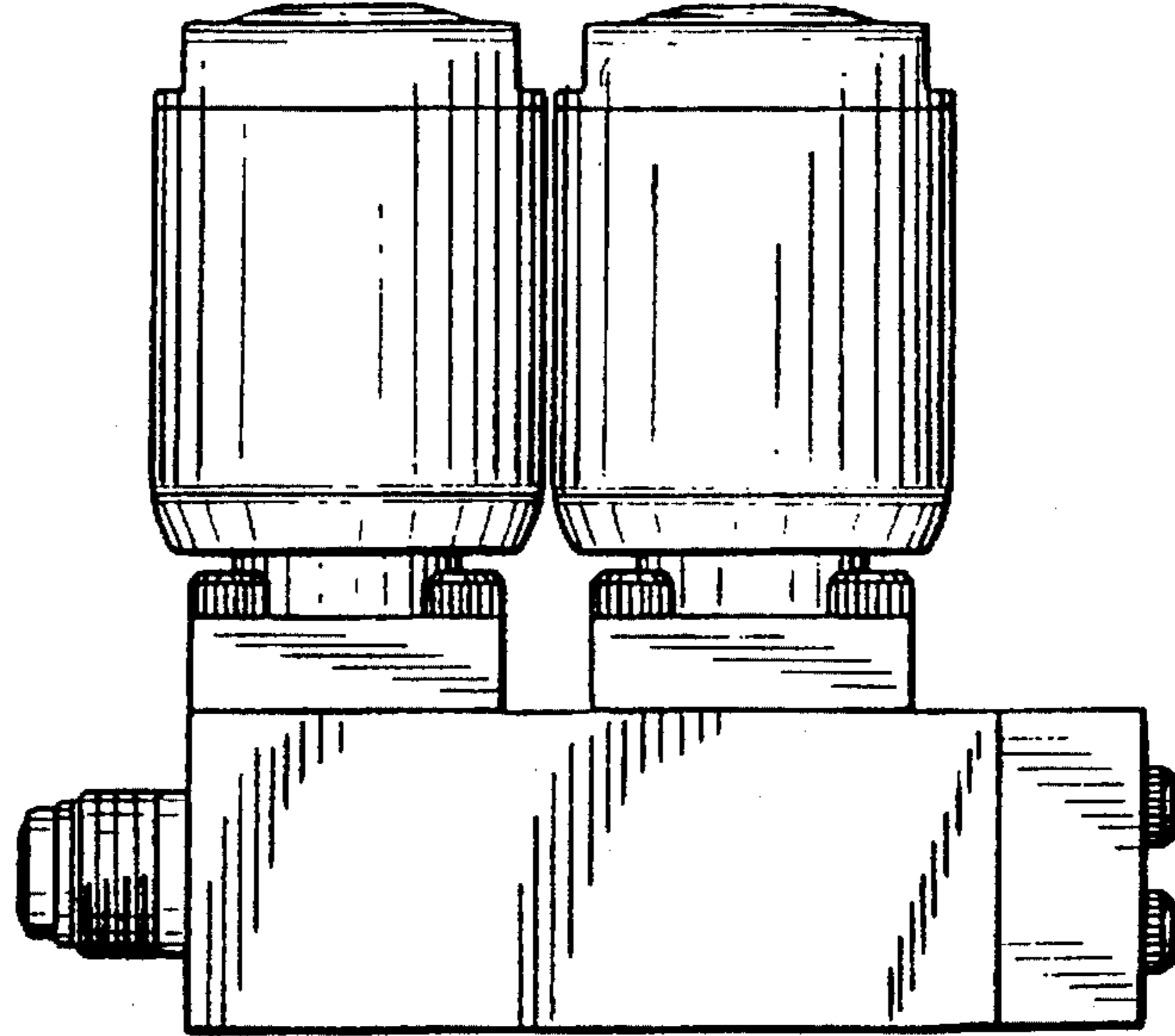


FIG. 5

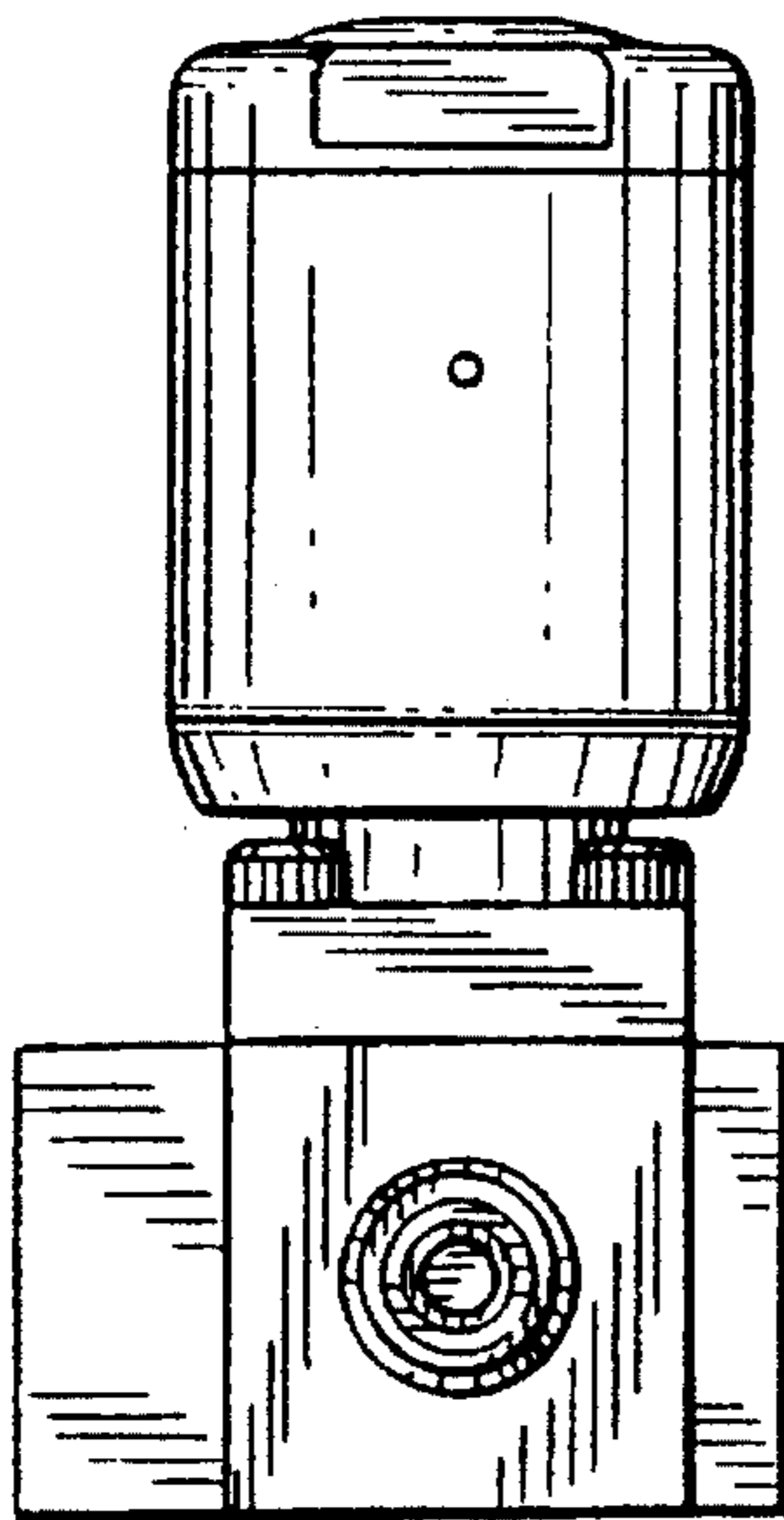


FIG. 7

