



US00D379843S

United States Patent [19] Wood

[11] Patent Number: **Des. 379,843**

[45] Date of Patent: ****Jun. 10, 1997**

[54] **BAMBOO WATERFALL**

[75] Inventor: **Colin Wood**, New Milton, England

[73] Assignee: **Haddenham Limited**, Hong Kong

[**] Term: **14 Years**

[21] Appl. No.: **28,238**

[22] Filed: **Sep. 9, 1994**

[51] LOC (6) Cl. **23-01**

[52] U.S. Cl. **D23/215**

[58] Field of Search D23/201, 200,
D23/213; 239/16, 17, 18, 20, 22, 23; 222/630,
632, 636, 566, 617; D15/144.2, 150, 199

[56] **References Cited**

U.S. PATENT DOCUMENTS

D. 354,295	1/1995	Walsh et al.	D23/213 X
3,409,223	11/1968	Gosh	239/17
4,202,056	5/1980	Watkins	239/17
5,326,032	7/1994	Quillin	239/17

OTHER PUBLICATIONS

Stuppy Supply Catalog, Jun., 1960, p. 75.

Primary Examiner—James M. Gandy

Assistant Examiner—Linda Brooks

Attorney, Agent, or Firm—Haverstock & Associates

[57] **CLAIM**

The ornamental design for a bamboo waterfall, as shown and described.

DESCRIPTION

FIG. 1 is a front elevational view of a bamboo waterfall showing my new design;

FIG. 2 is a rear elevational view thereof;

FIG. 3 is a top plan view thereof;

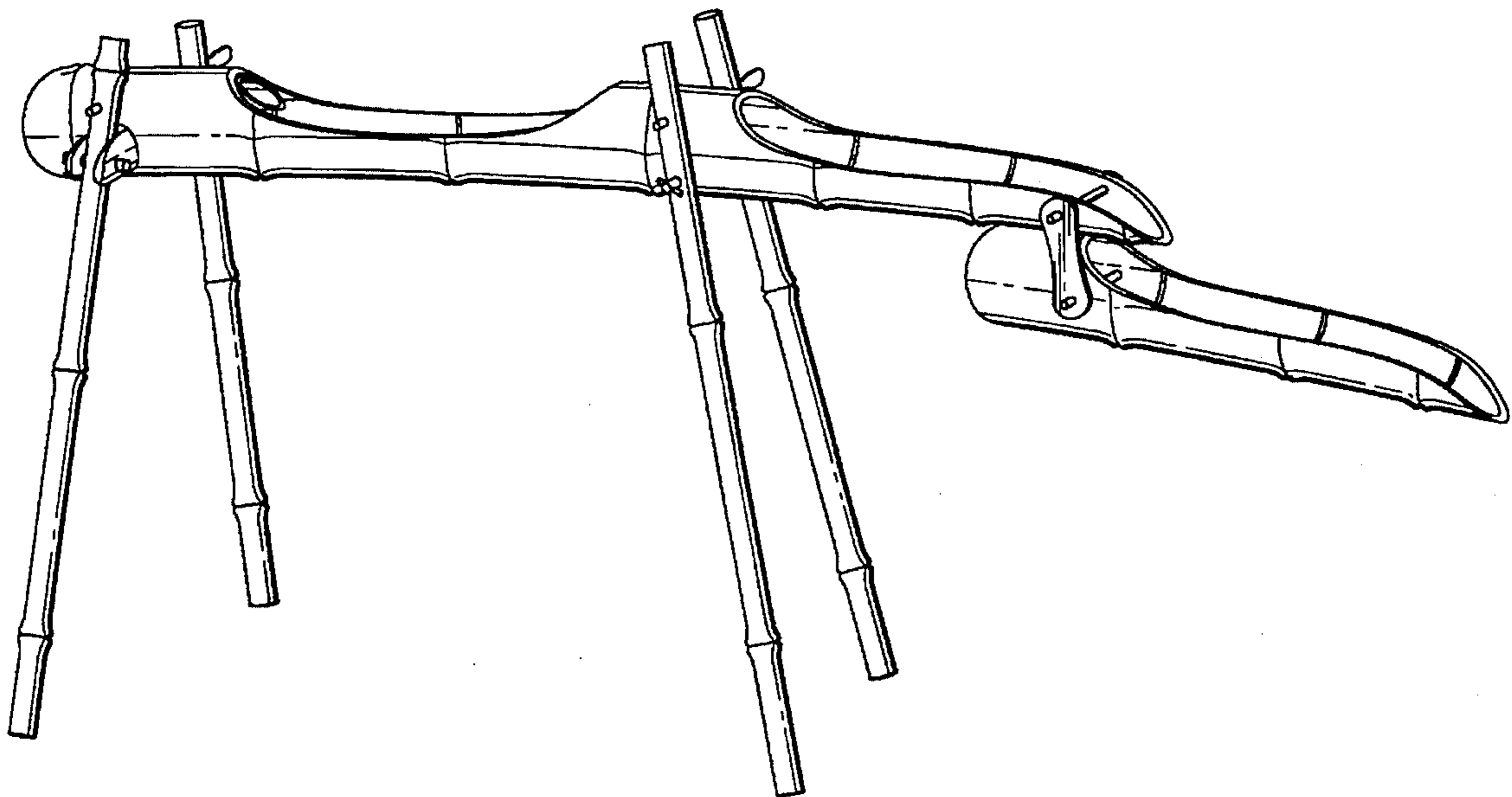
FIG. 4 is a bottom plan view thereof;

FIG. 5 is a first side elevational view thereof;

FIG. 6 is a second side elevational view thereof; and,

FIG. 7 is a perspective view thereof.

1 Claim, 5 Drawing Sheets



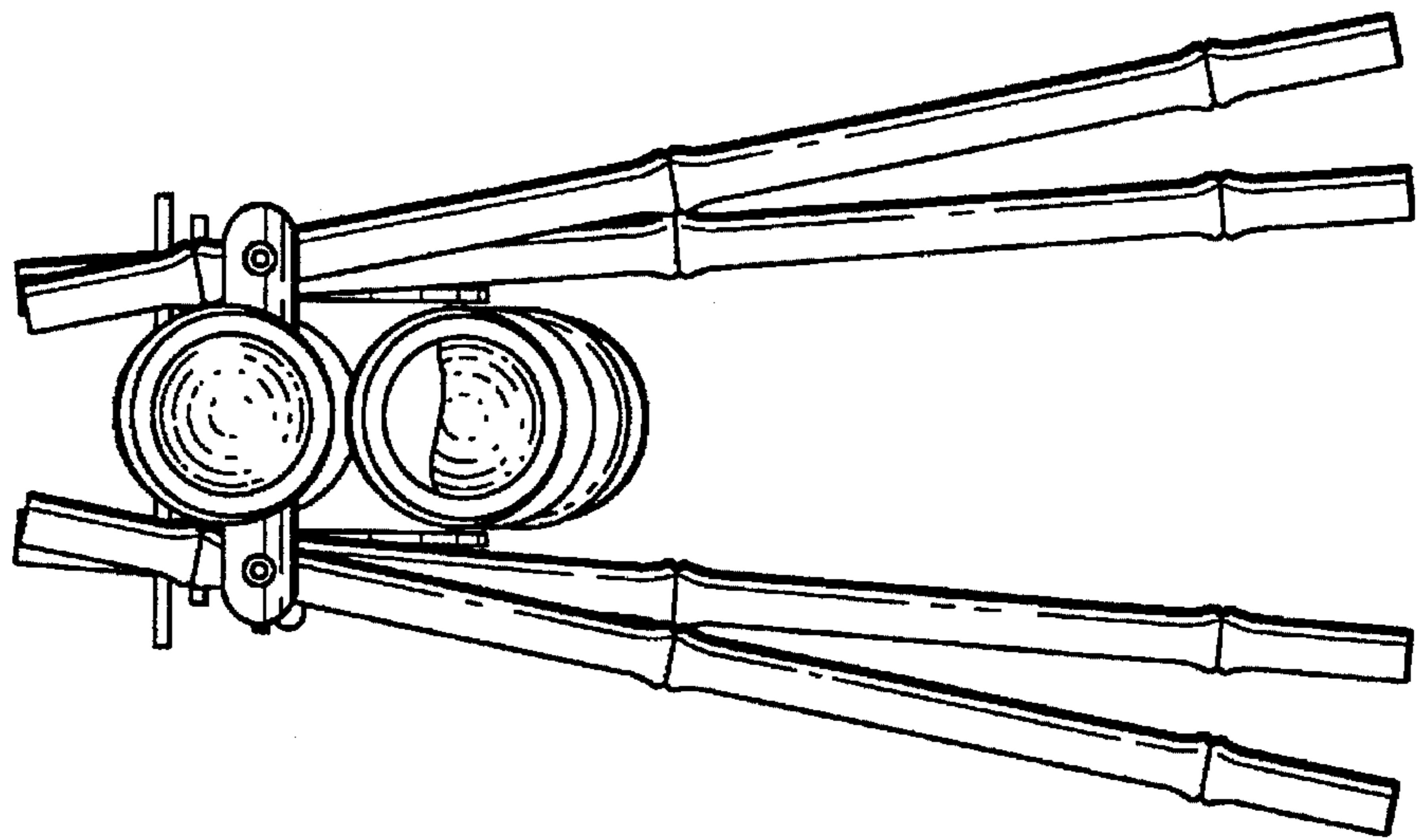


FIG. 2

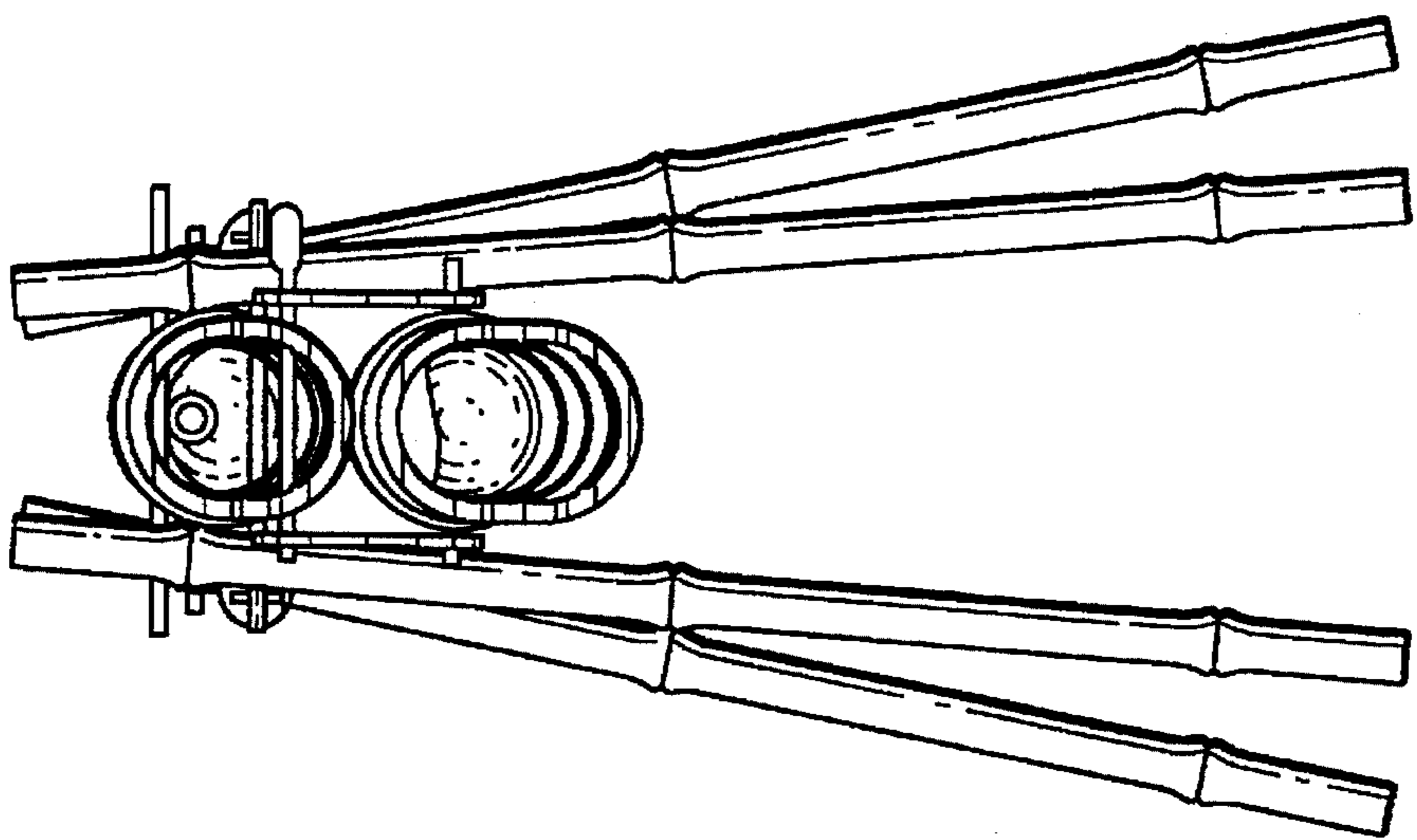


FIG. 1

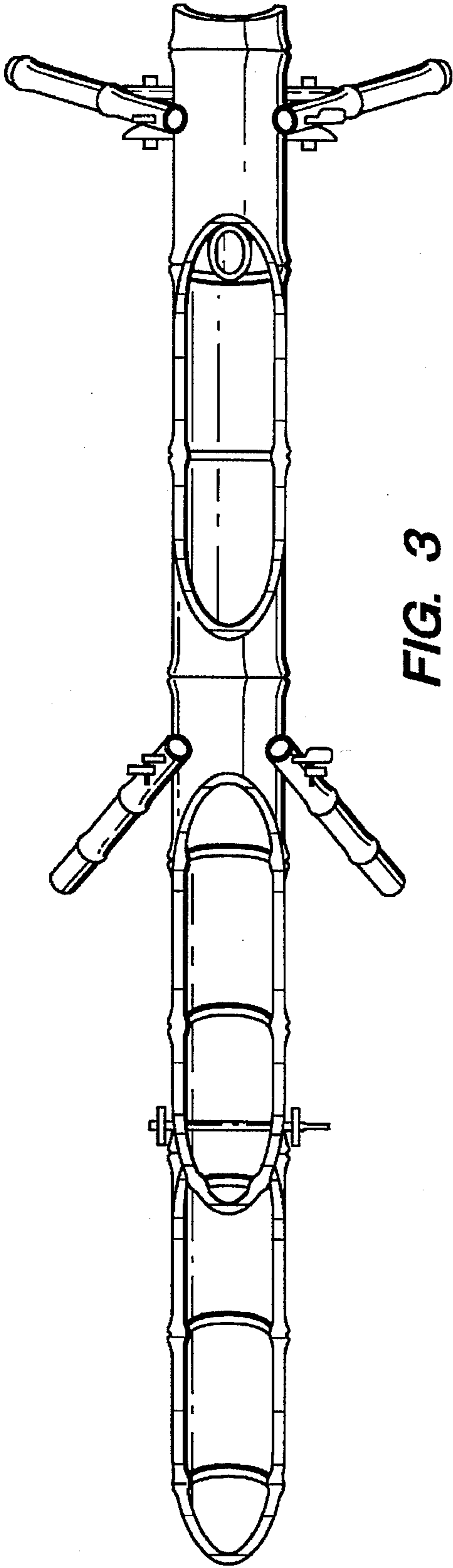


FIG. 3

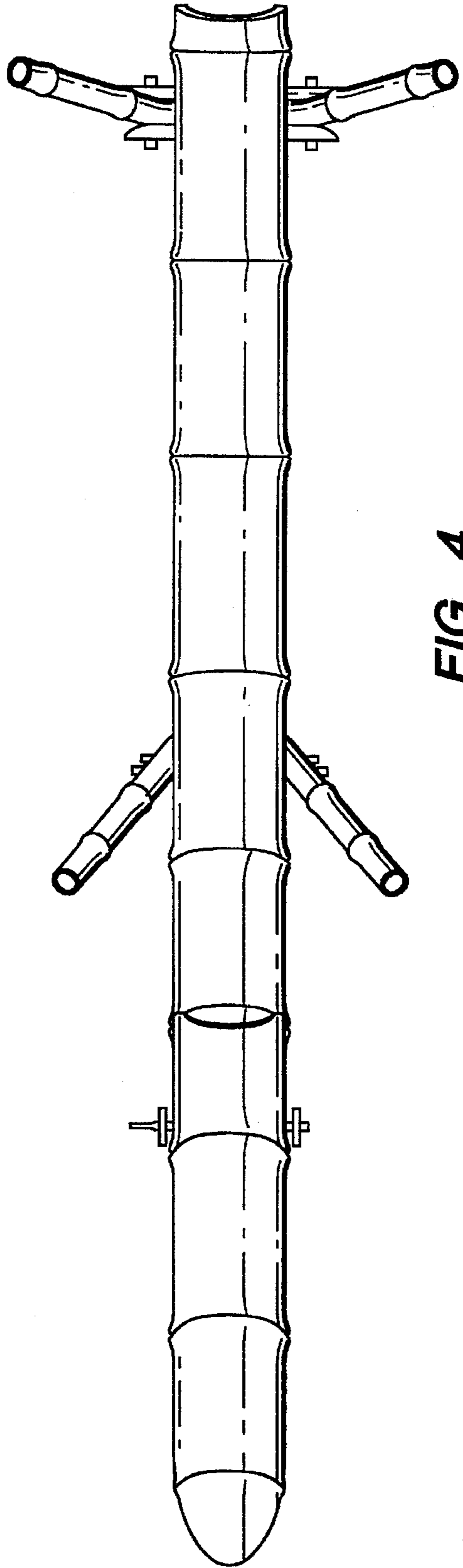


FIG. 4

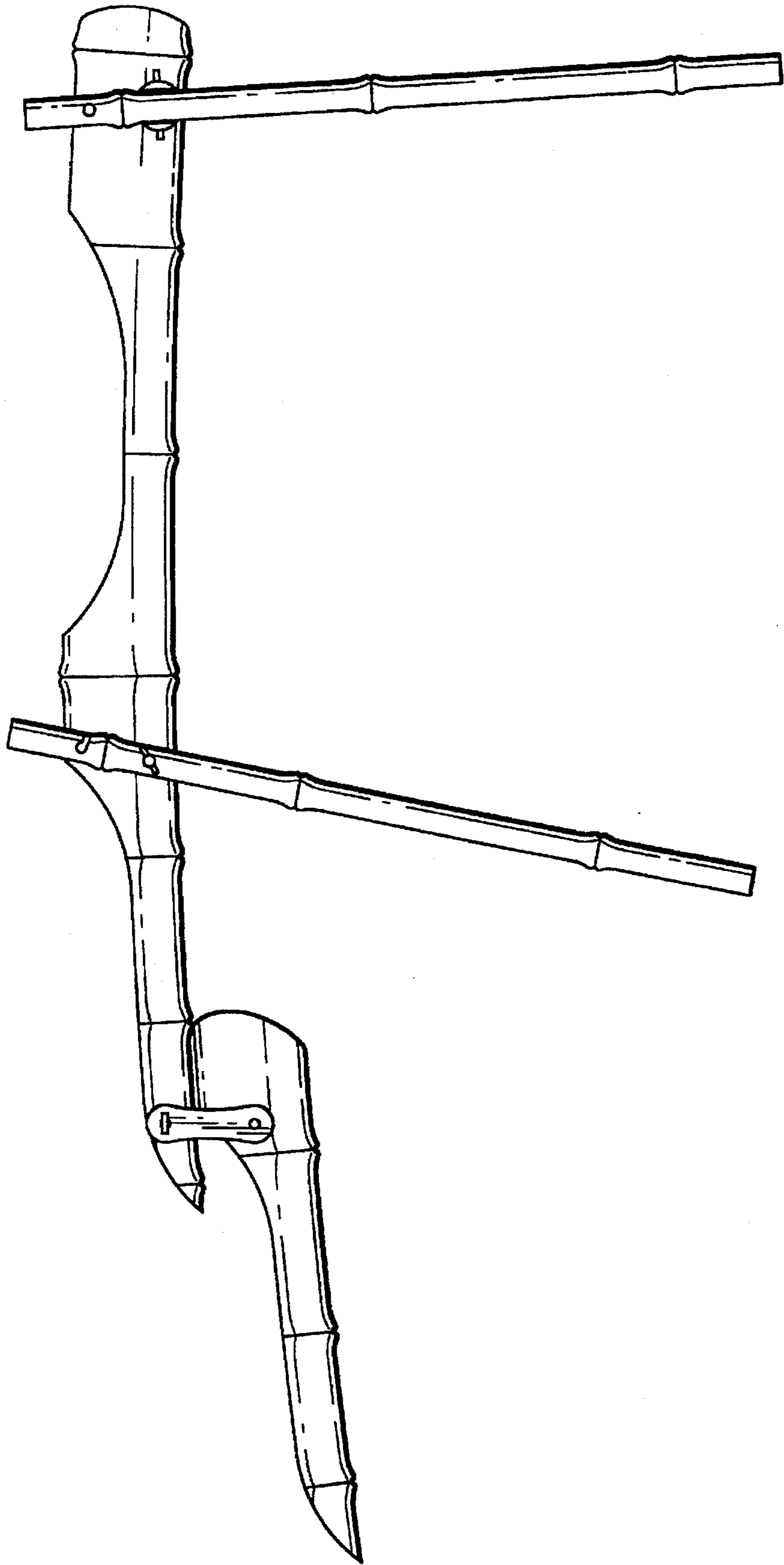


FIG. 5

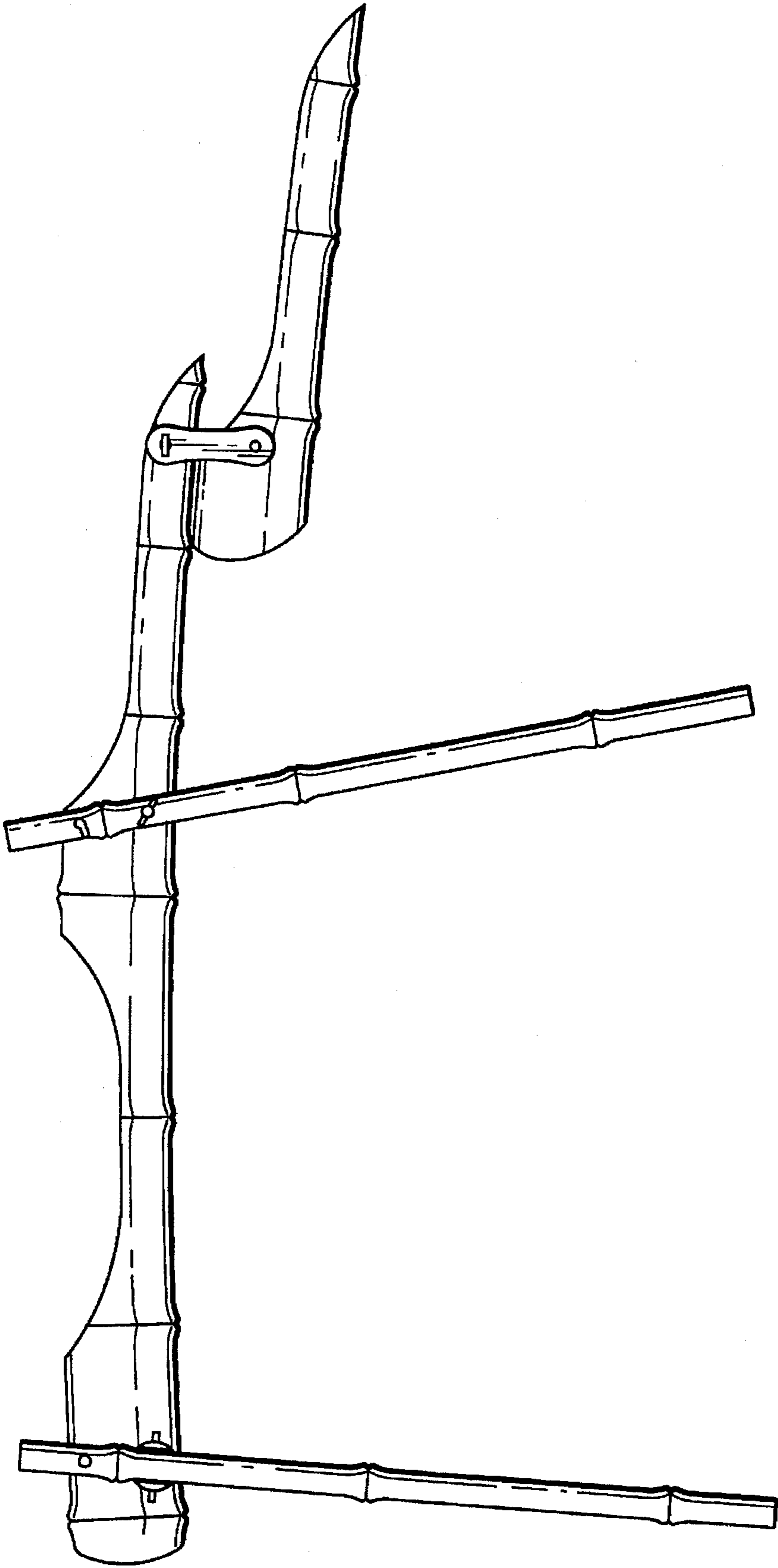


FIG. 6

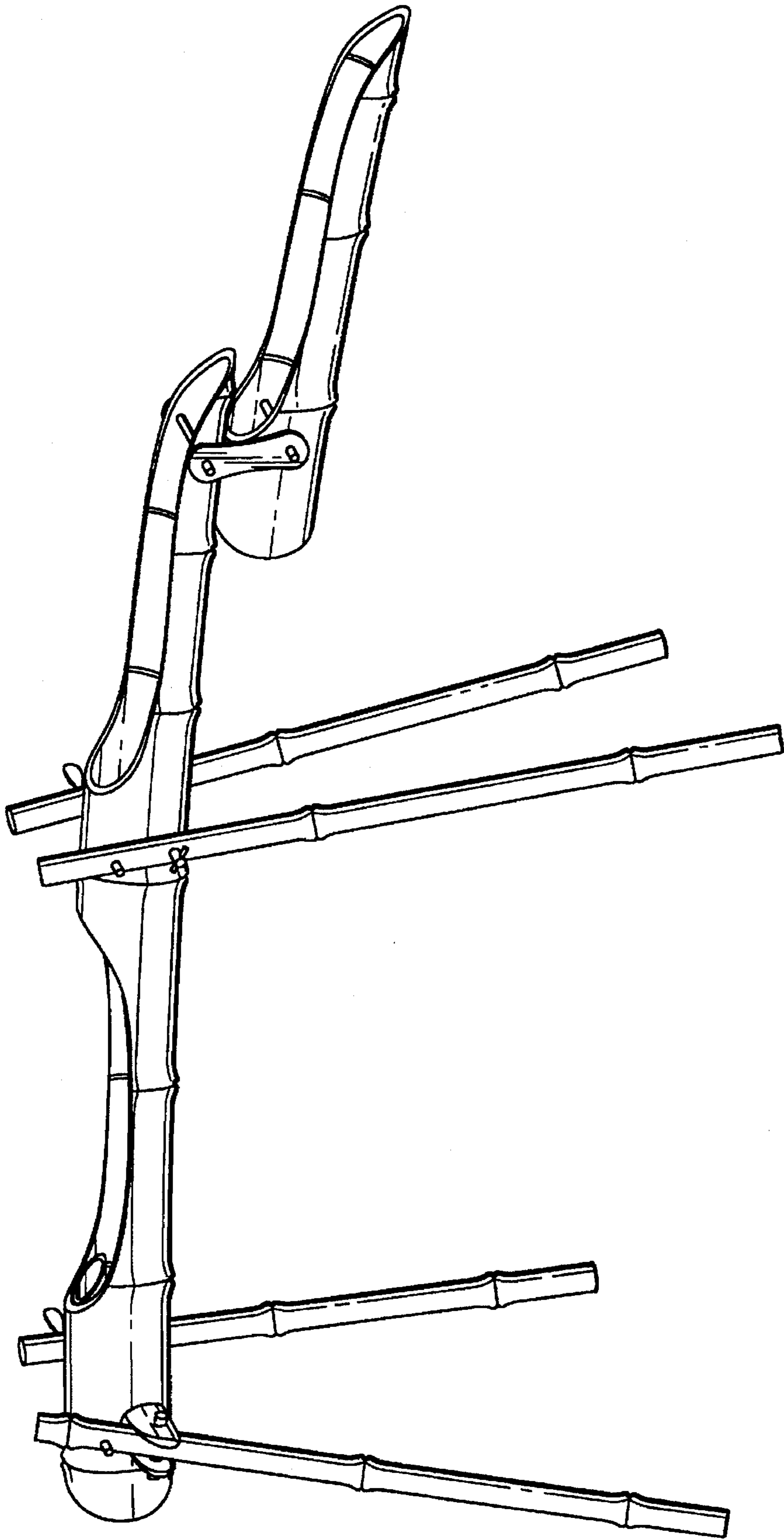


FIG. 7