

US00D379840S

United States Patent [19] Koch

[11] Patent Number: **Des. 379,840**

[45] Date of Patent: ****Jun. 10, 1997**

[54] **GUN SHELL HOLDER**

[76] Inventor: **Paul Koch**, 17265 Calle Mazatan,
Morgan Hill, Calif. 95037

[**] Term: **14 Years**

[21] Appl. No.: **34,036**

[22] Filed: **Jan. 26, 1995**

[51] LOC (6) Cl. **22-01**

[52] U.S. Cl. **D22/108; D22/199**

[58] Field of Search D22/100, 107,
D22/199; D6/480, 484, 552; D9/341, 347;
42/88, 89, 90; 89/34; 108/25; 211/60.1;
206/3, 315.11; 273/309; 248/127

[56] **References Cited**

U.S. PATENT DOCUMENTS

197,336	11/1877	Cooper	273/309
D. 213,631	3/1969	Scott	D9/347 X
522,014	6/1894	Hunzinger	273/309 X
1,886,806	11/1932	Hanley	273/309 X
5,327,838	7/1994	Beltman	108/25

FOREIGN PATENT DOCUMENTS

664622	4/1929	France	273/307
--------	--------	--------	---------

Primary Examiner—Louis S. Zarfes
Assistant Examiner—Monica A. Hannon
Attorney, Agent, or Firm—The Kline Law Firm

[57] **CLAIM**

The ornamental design for a gun shell holder, as shown and described.

DESCRIPTION

FIG. 1 is a perspective view of the gun shell holder of the present invention;

FIG. 2 is a front view of the gun shell holder of the present invention;

FIG. 3 is a rear view of the gun shell holder of the present invention;

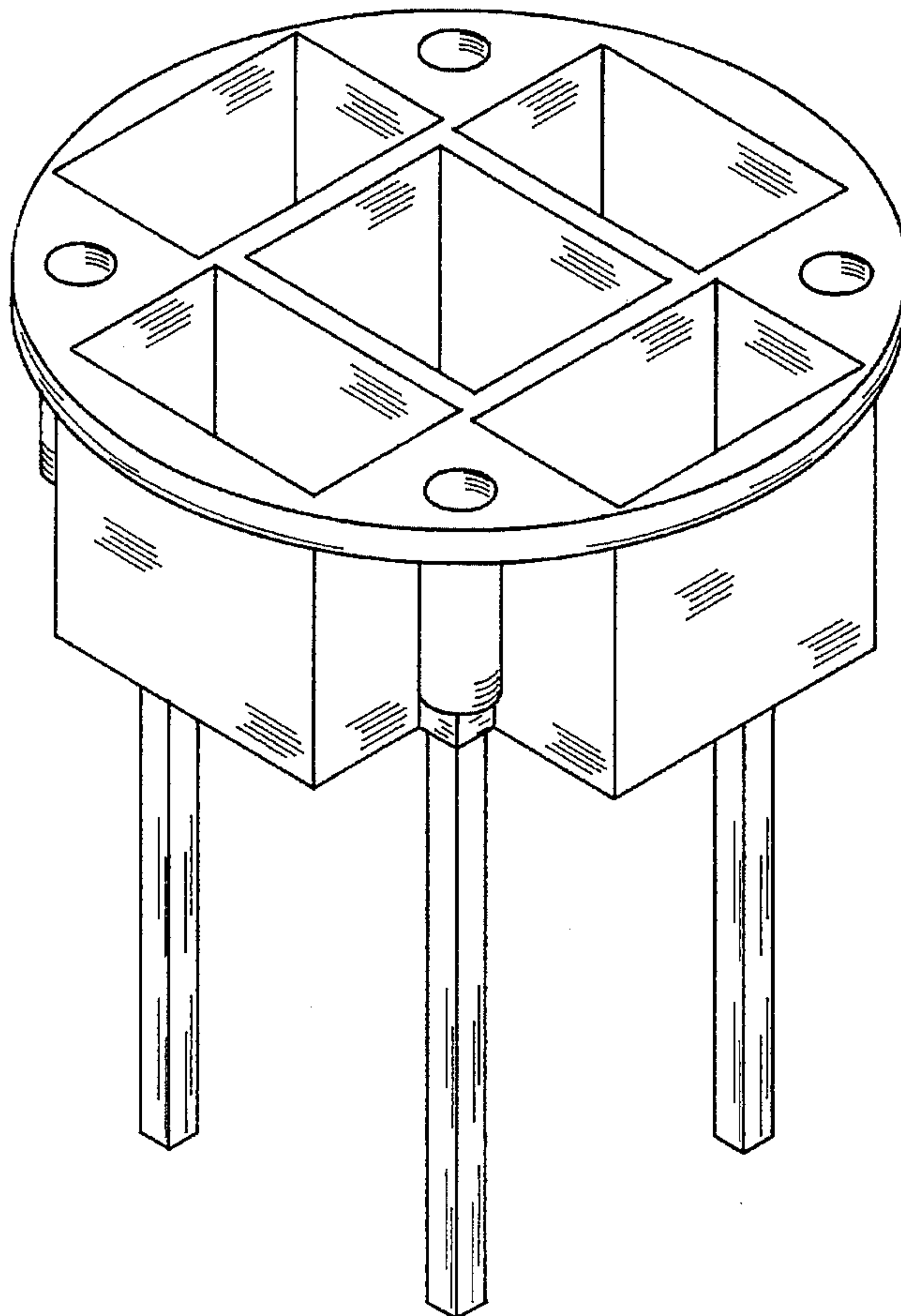
FIG. 4 is a left side view of the gun shell holder of the present invention;

FIG. 5 is a right side view of the gun shell holder of the present invention;

FIG. 6 is a bottom view of the gun shell holder of the present invention; and,

FIG. 7 is a top view of the gun shell holder of the present invention.

1 Claim, 7 Drawing Sheets



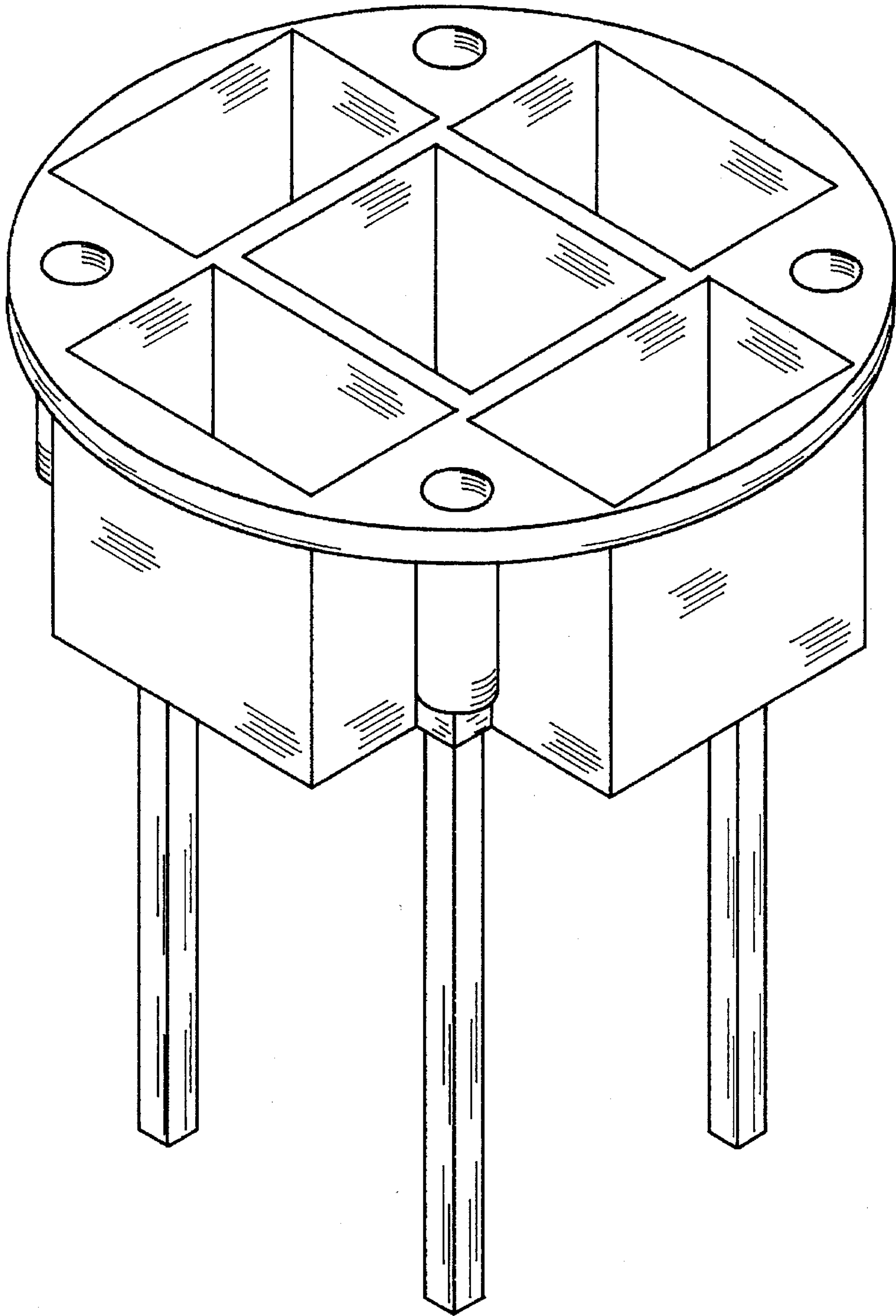


Fig. 1

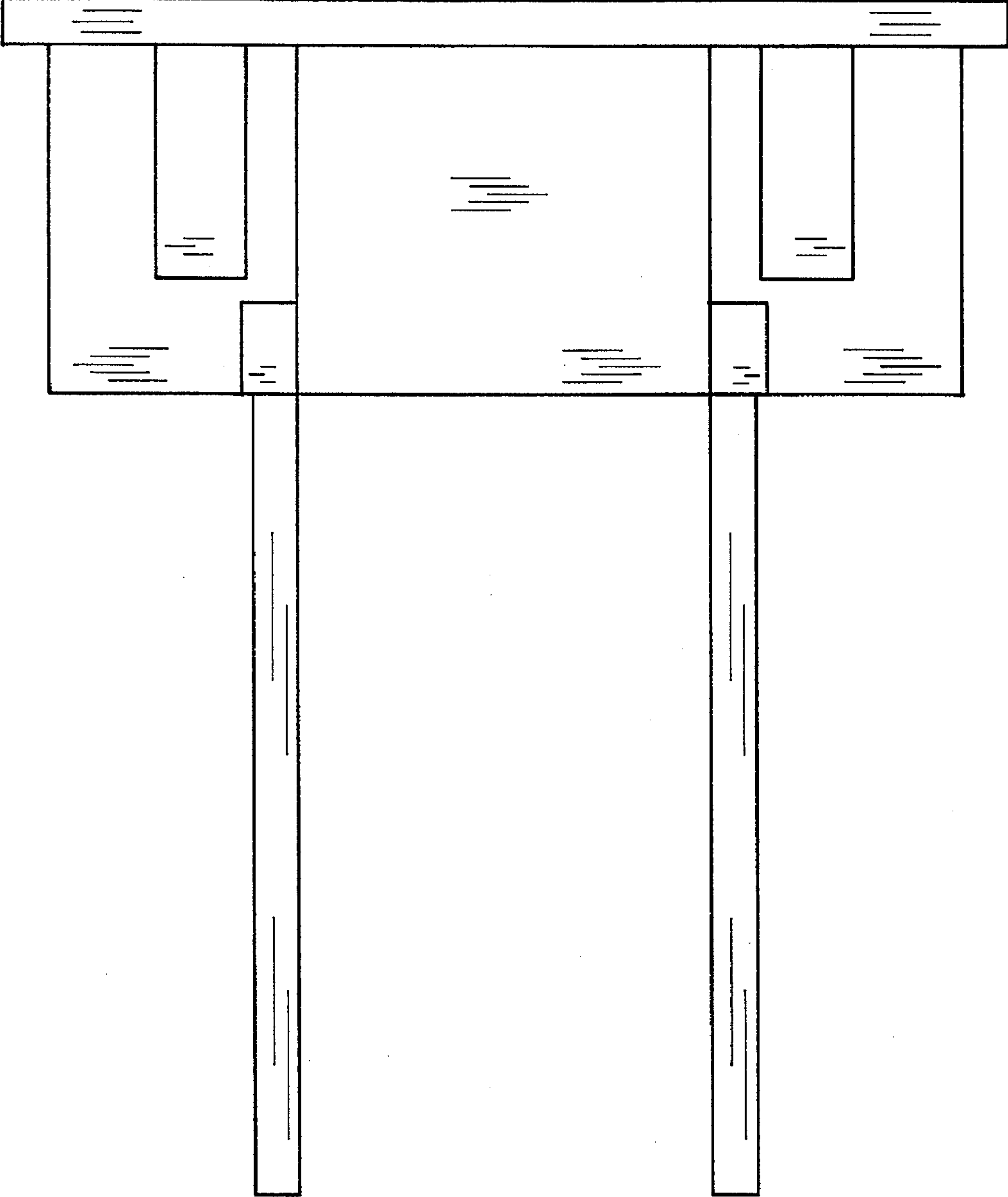


Fig. 2

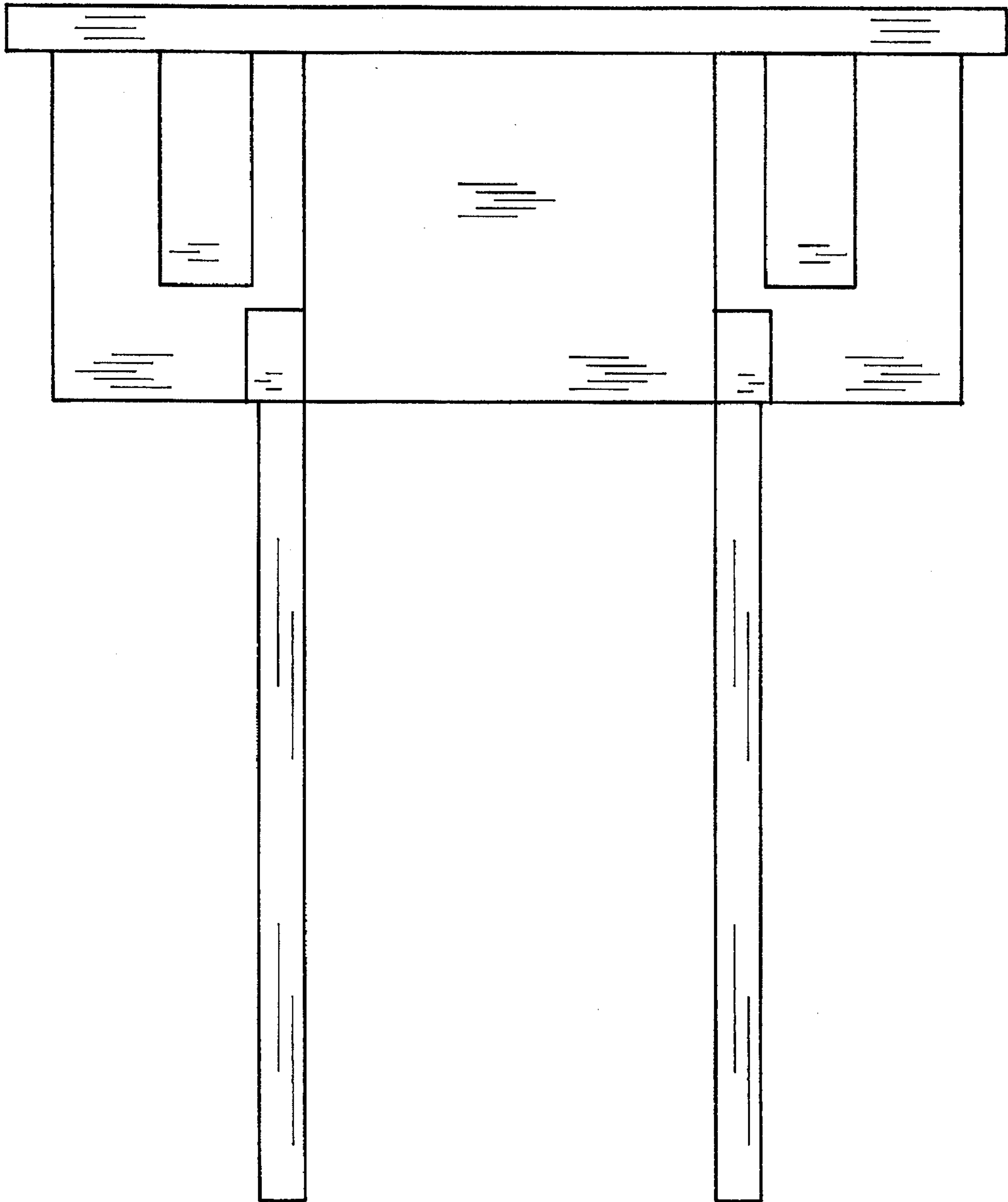


Fig. 3

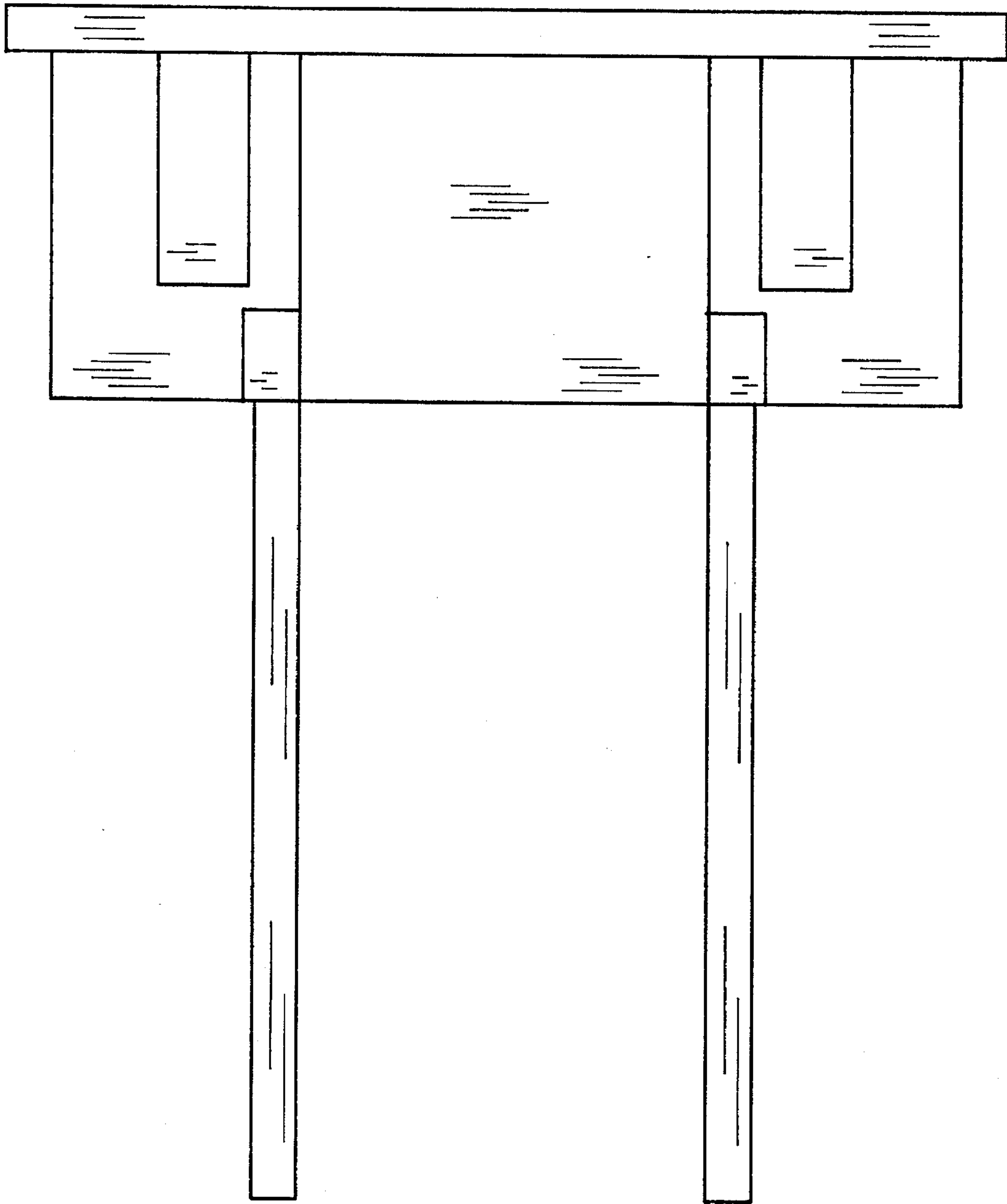


Fig. 4

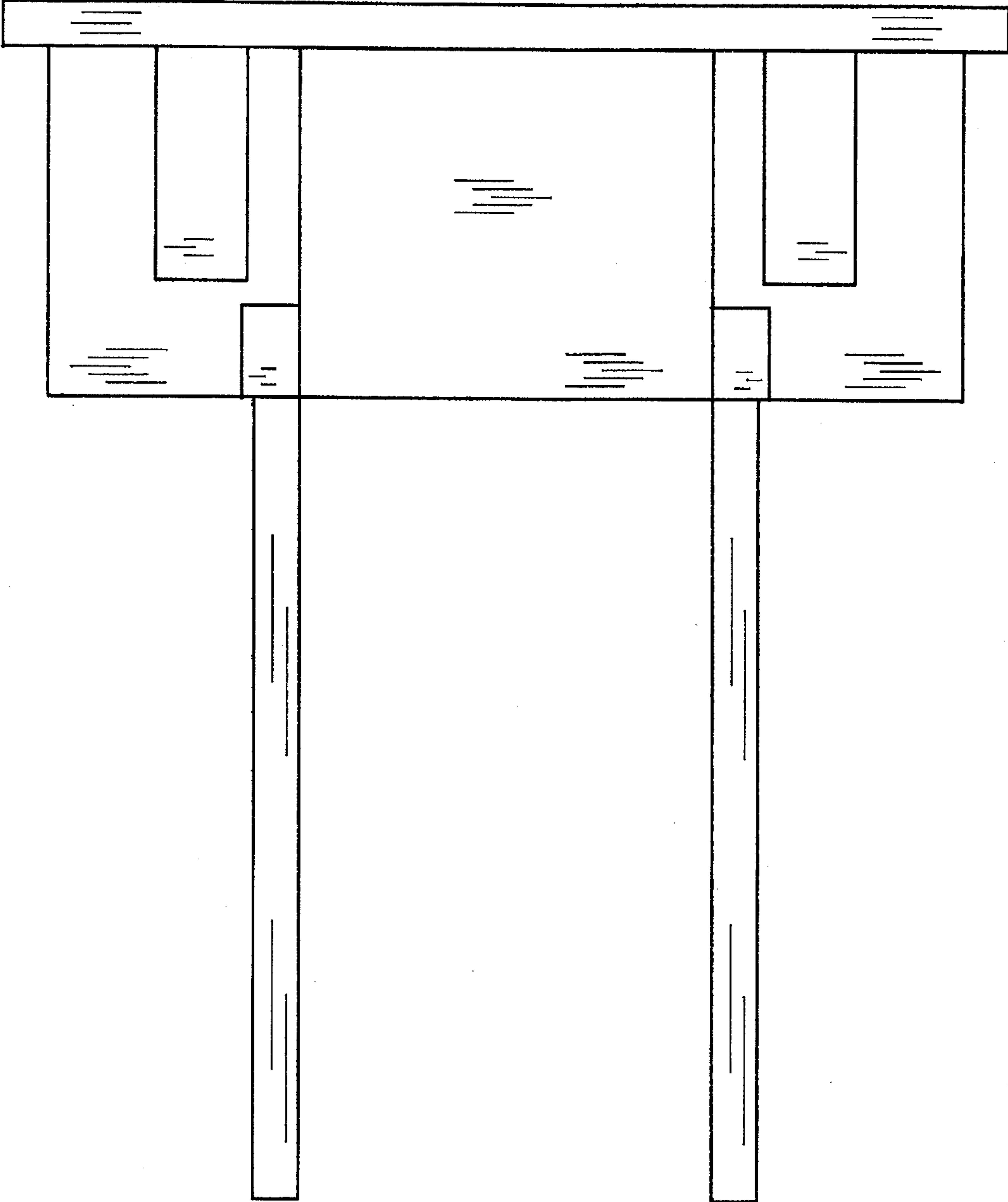


Fig. 5

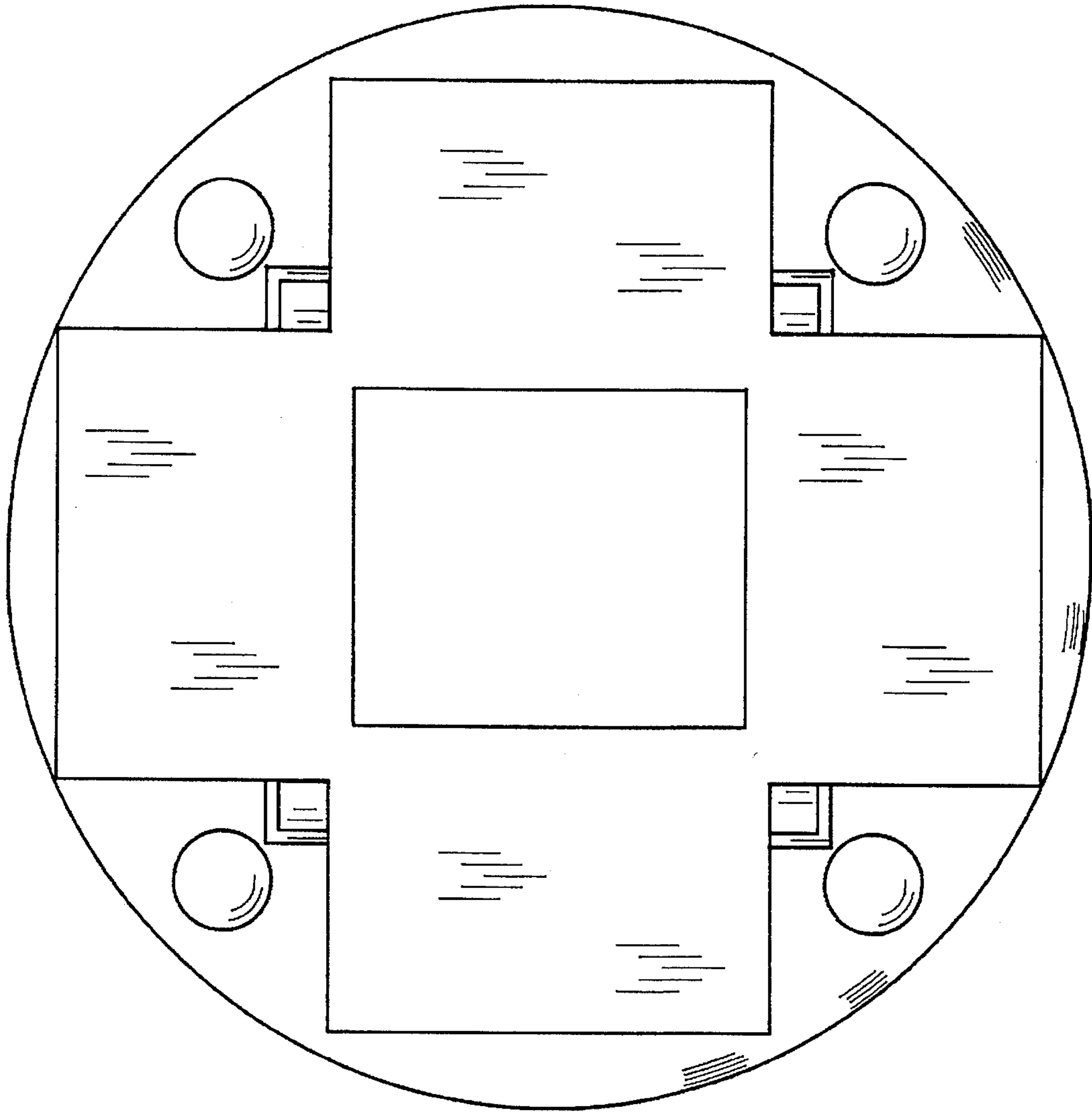


Fig. 6

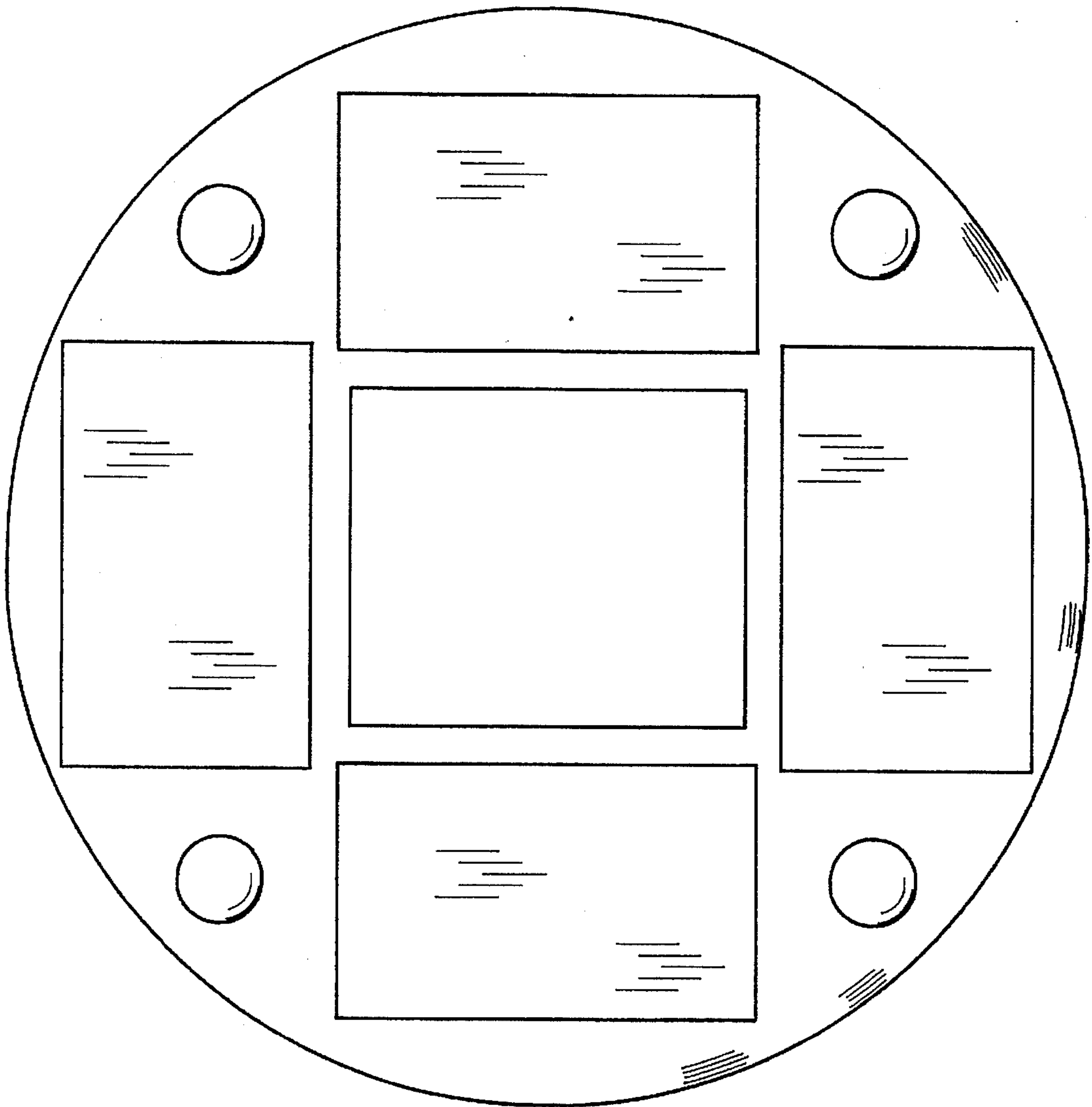


Fig. 7