



US00D379836S

United States Patent [19] Chen

[11] Patent Number: **Des. 379,836**

[45] Date of Patent: ****Jun. 10, 1997**

[54] **EXERCISE APPARATUS**

5,224,914 7/1993 Friedman 482/140
5,492,520 2/1996 Brown .

[76] Inventor: **Ching-Huei Chen**, No. 1, Lane 11,
Kuang Hua Road, Ta She Hsiang,
Kaohsiung Hsien, Taiwan

Primary Examiner—Philip S. Hyder
Attorney, Agent, or Firm—Morton J. Rosenberg; David I. Klein

[**] Term: **14 Years**

[57] **CLAIM**

[21] Appl. No.: **52,671**

The ornamental design for an exercise apparatus, as shown and described.

[22] Filed: **Apr. 2, 1996**

[51] LOC (6) Cl. **21-02**

[52] U.S. Cl. **D21/191**

[58] Field of Search D21/191, 195,
D21/193; 482/140, 132, 142, 131, 133,
144

DESCRIPTION

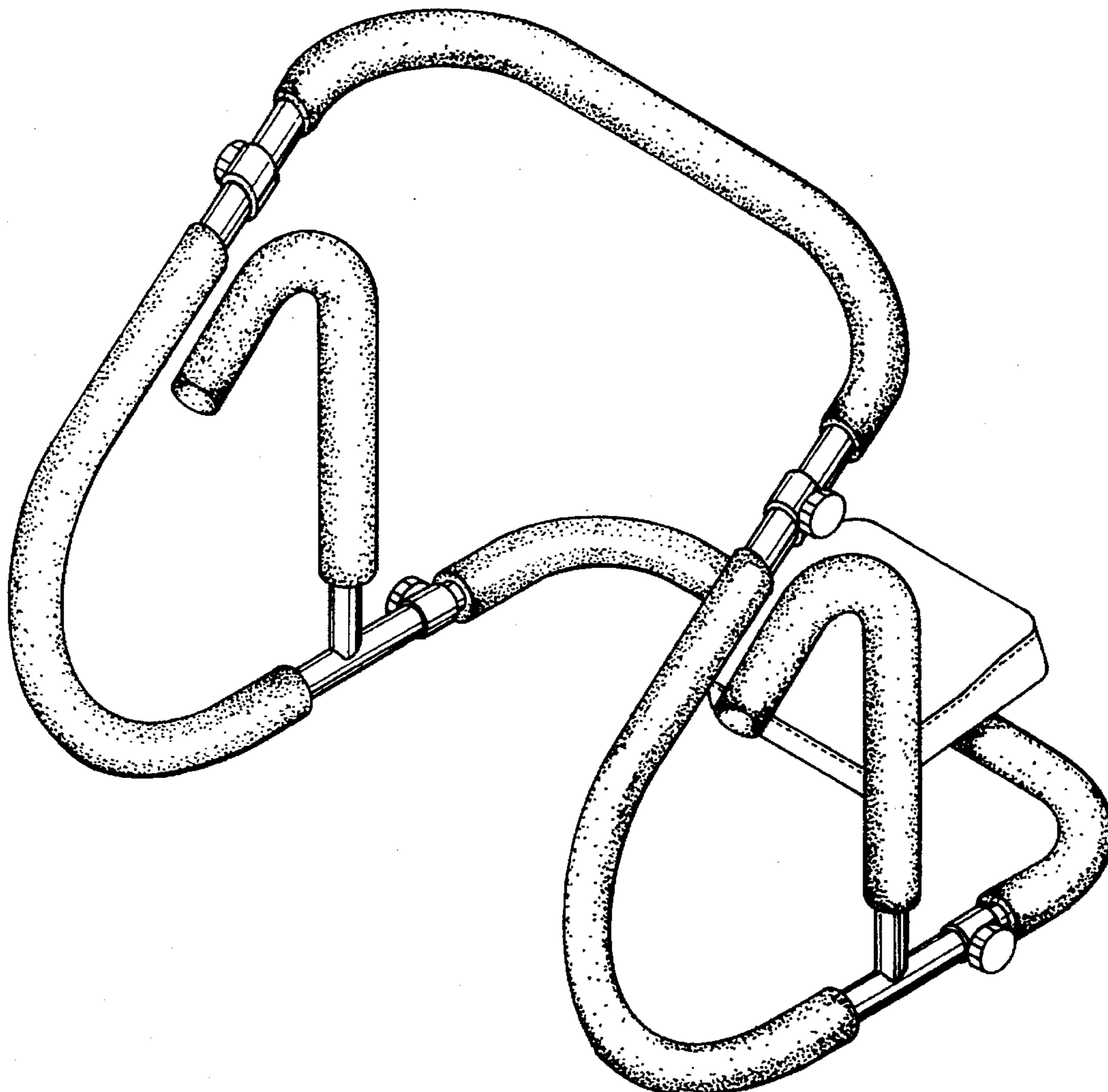
FIG. 1 is a perspective view of an exercise apparatus showing our new design;
FIG. 2 is a front elevational view thereof;
FIG. 3 is a rear elevational view thereof;
FIG. 4 is a left side elevational view thereof;
FIG. 5 is a right side elevational view thereof;
FIG. 6 is a top plan view thereof; and,
FIG. 7 is a bottom plan view thereof.

[56] **References Cited**

U.S. PATENT DOCUMENTS

4,752,067 6/1988 Colonello 482/140
5,033,742 7/1991 Johnson et al. 482/140
5,122,107 6/1992 Gardner 482/140

1 Claim, 7 Drawing Sheets



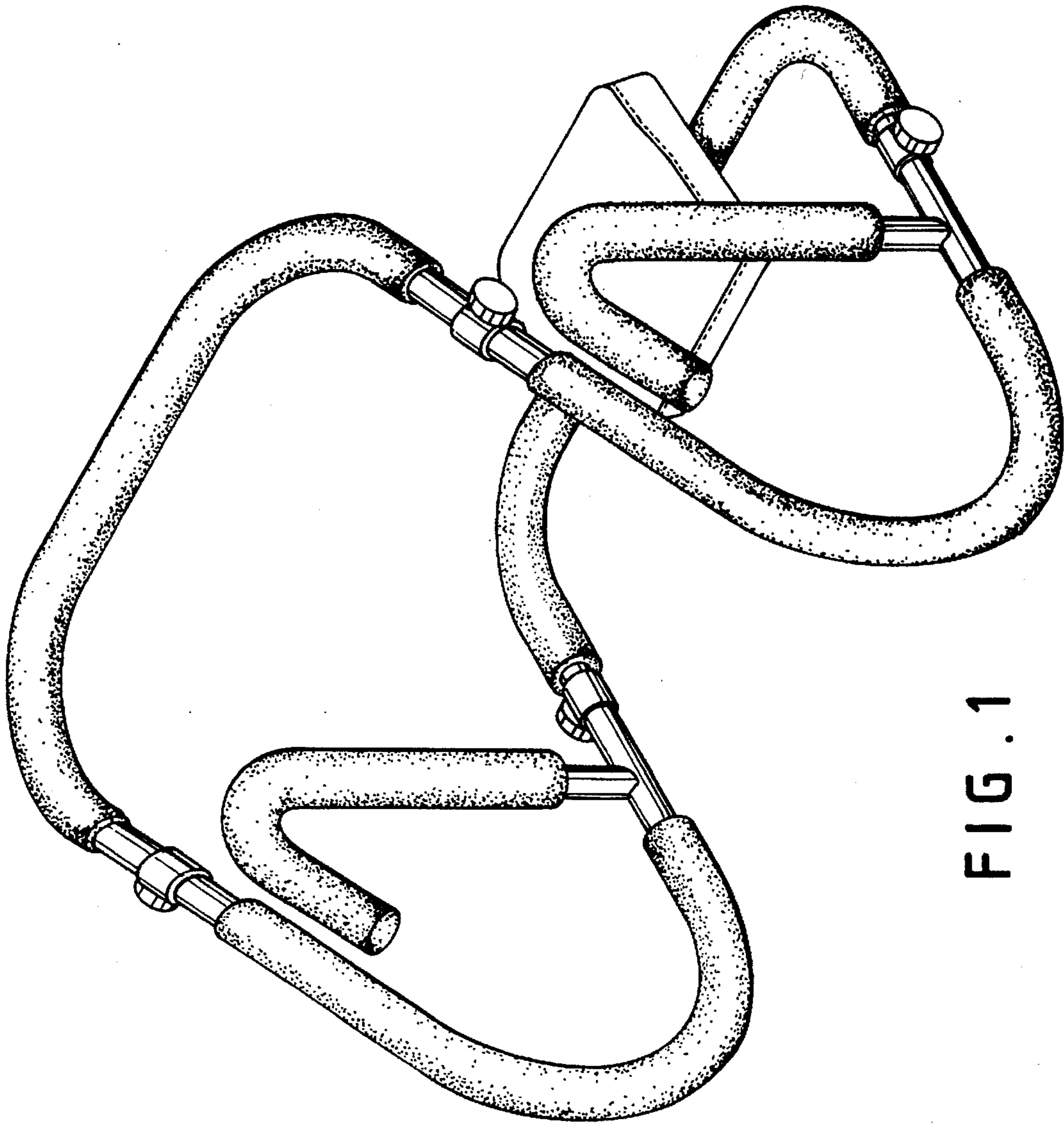


FIG. 1

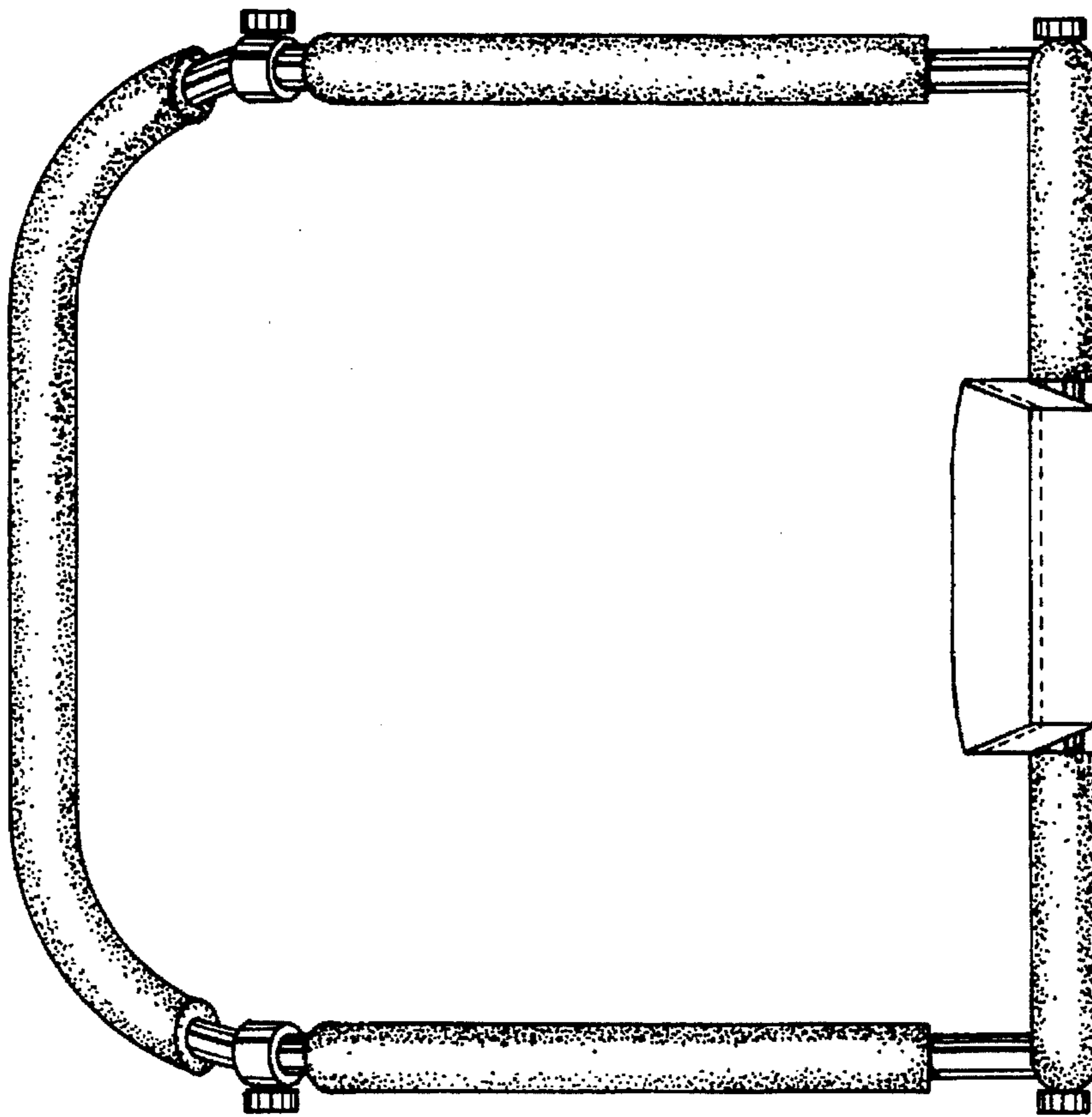


FIG. 2

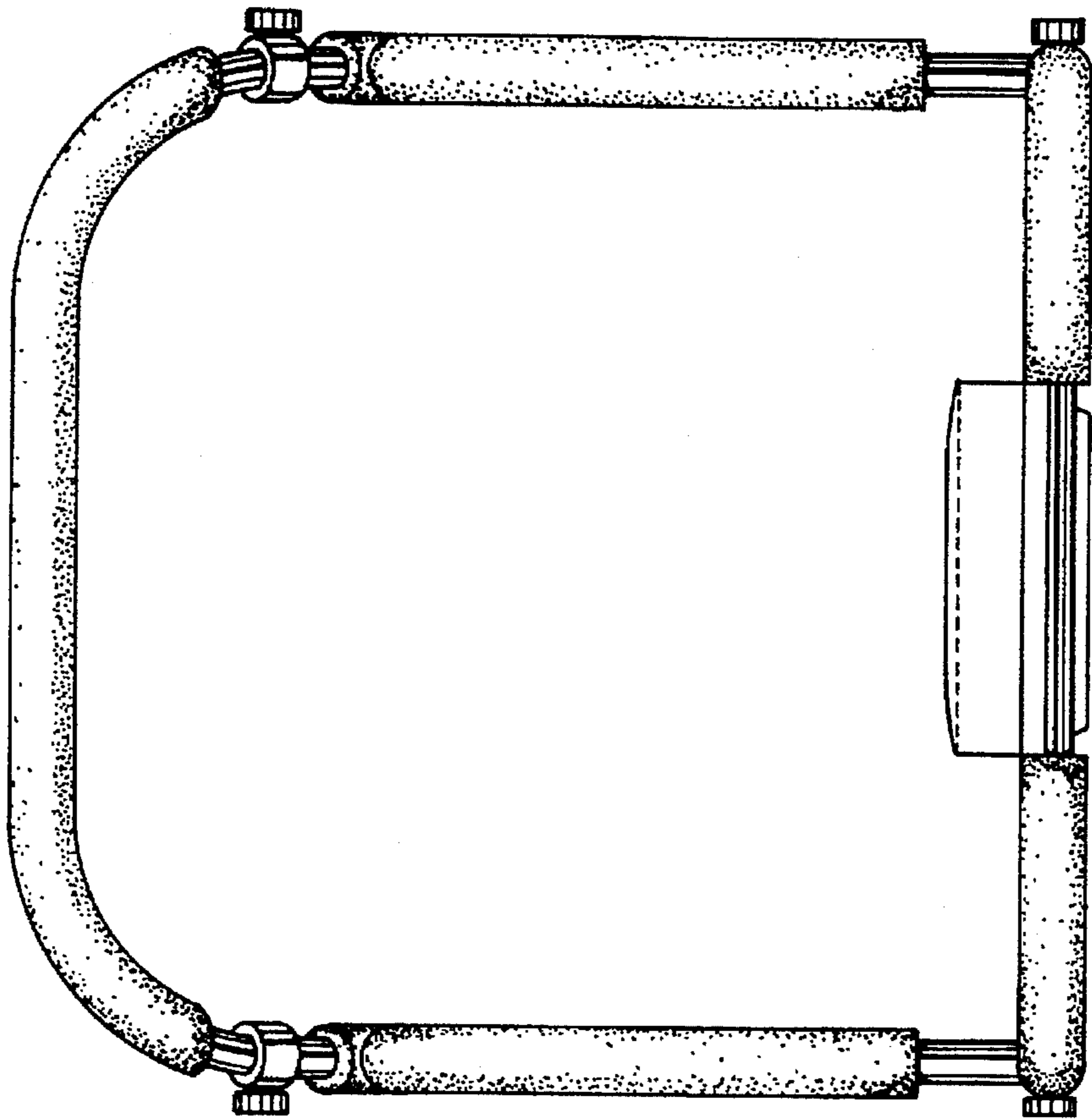


FIG. 3

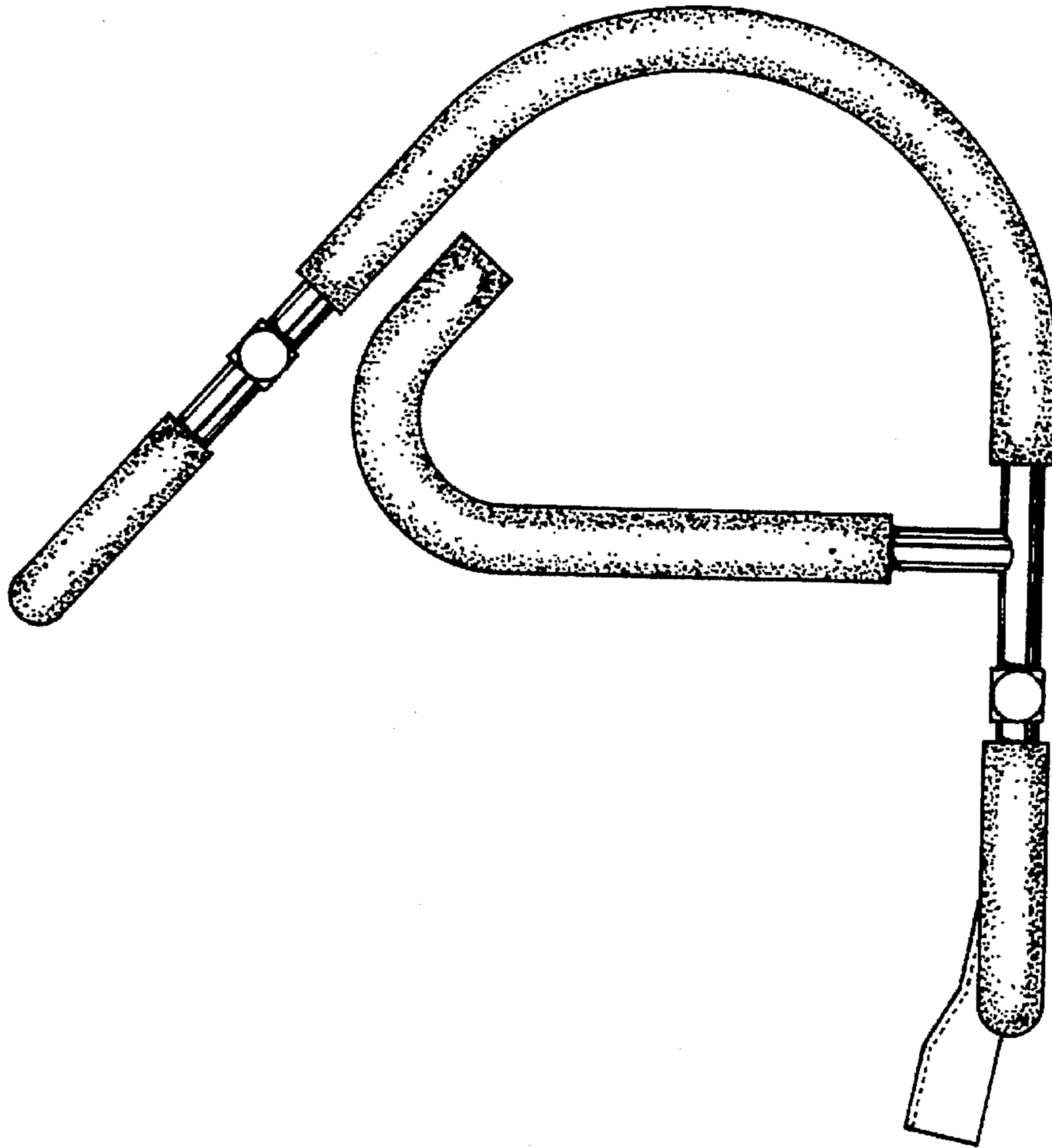


FIG. 4

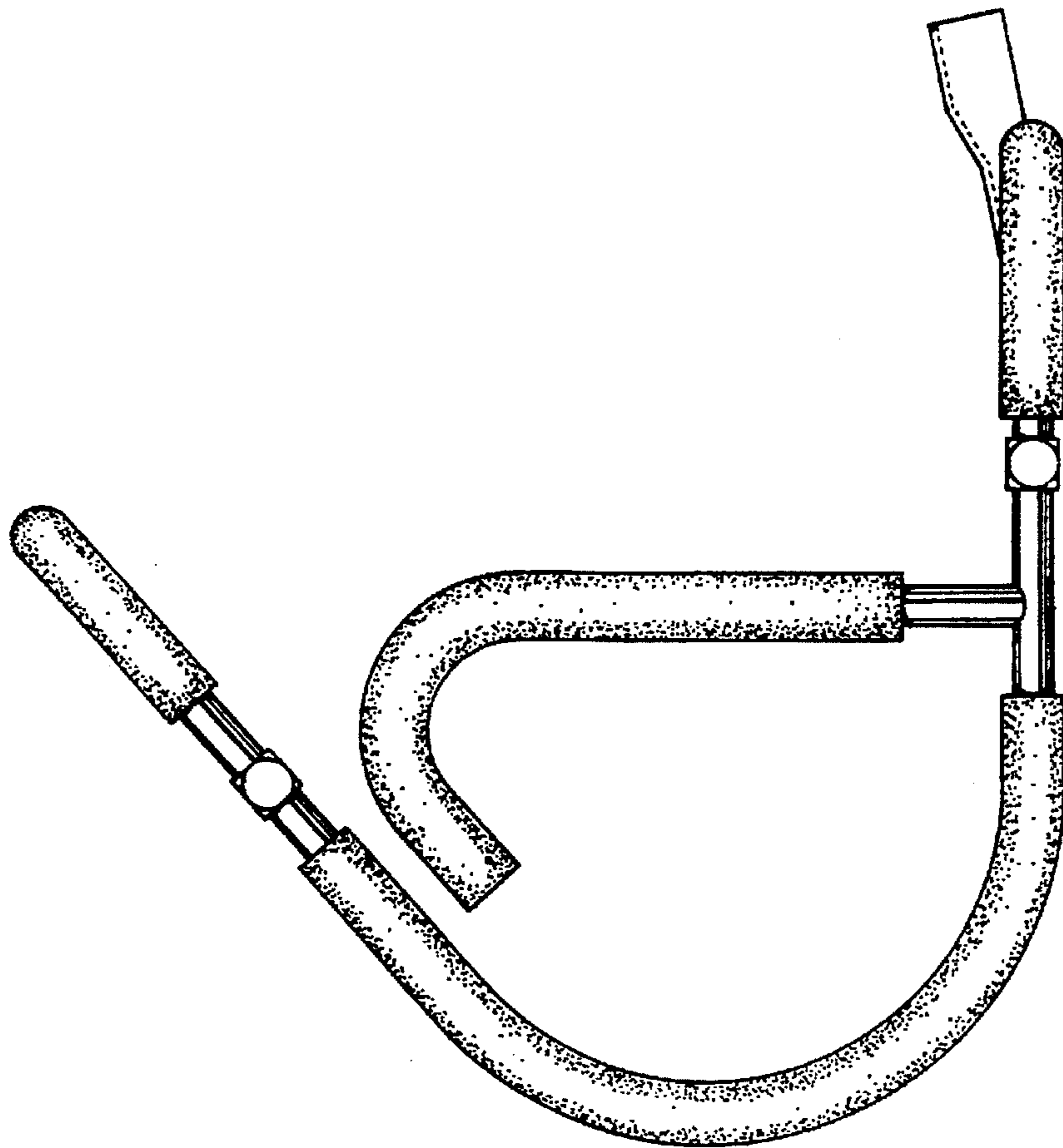


FIG. 5

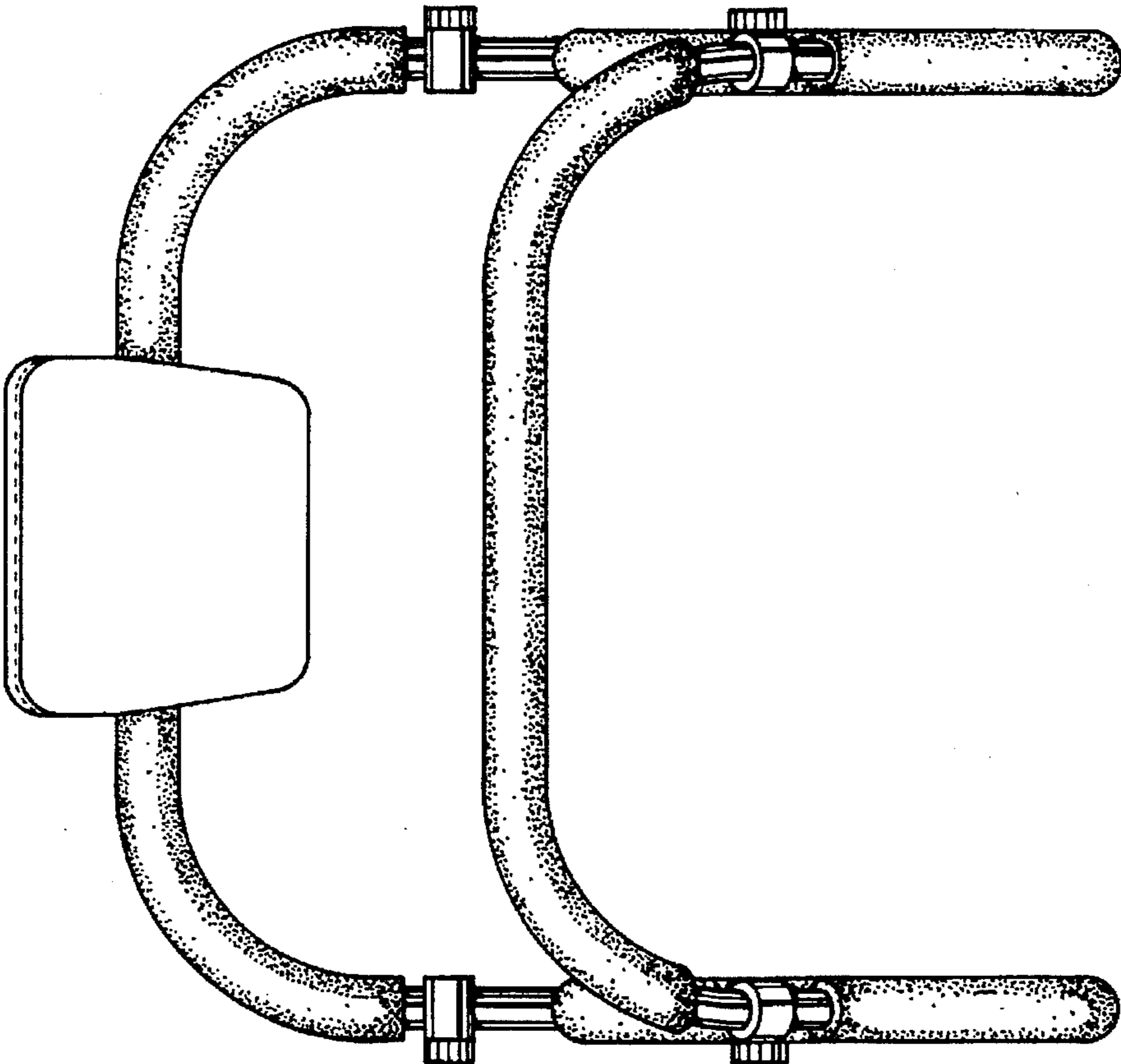


FIG. 6

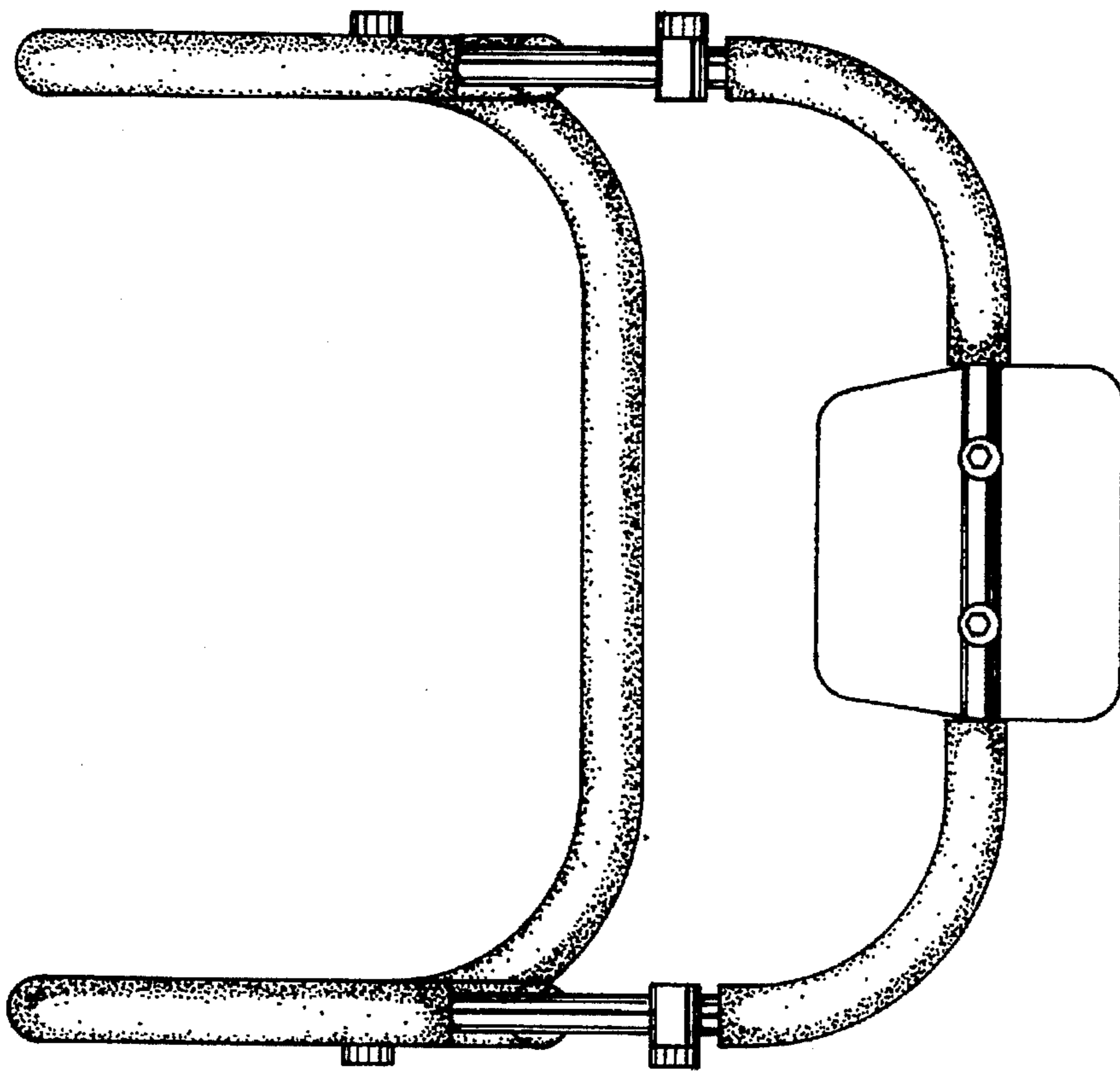


FIG. 7