



US00D379835S

United States Patent [19]

Chen

[11] Patent Number: Des. 379,835

[45] Date of Patent: **Jun. 10, 1997

[54] ABDOMINAL EXERCISE APPARATUS

[75] Inventor: Tim W. Chen, Dallas, Tex.

[73] Assignee: Keys Fitness Products, Inc., Dallas, Tex.

[**] Term: 14 Years

[21] Appl. No.: 45,111

[22] Filed: Oct. 10, 1995

[51] LOC (6) Cl. 21-02

[52] U.S. Cl. D21/191; D21/198

[58] Field of Search D21/191, 195, D21/198; 482/121, 125, 126, 140, 128, 129, 122

[56] References Cited

U.S. PATENT DOCUMENTS

D. 292,427 10/1987 Baburek D21/198

5,224,914 7/1993 Friedman 482/140
5,232,425 8/1993 Miller et al. 482/140
5,372,558 12/1994 Perry et al. 482/140

Primary Examiner—Philip S. Hyder
Attorney, Agent, or Firm—Haynes and Boone, L.L.P.

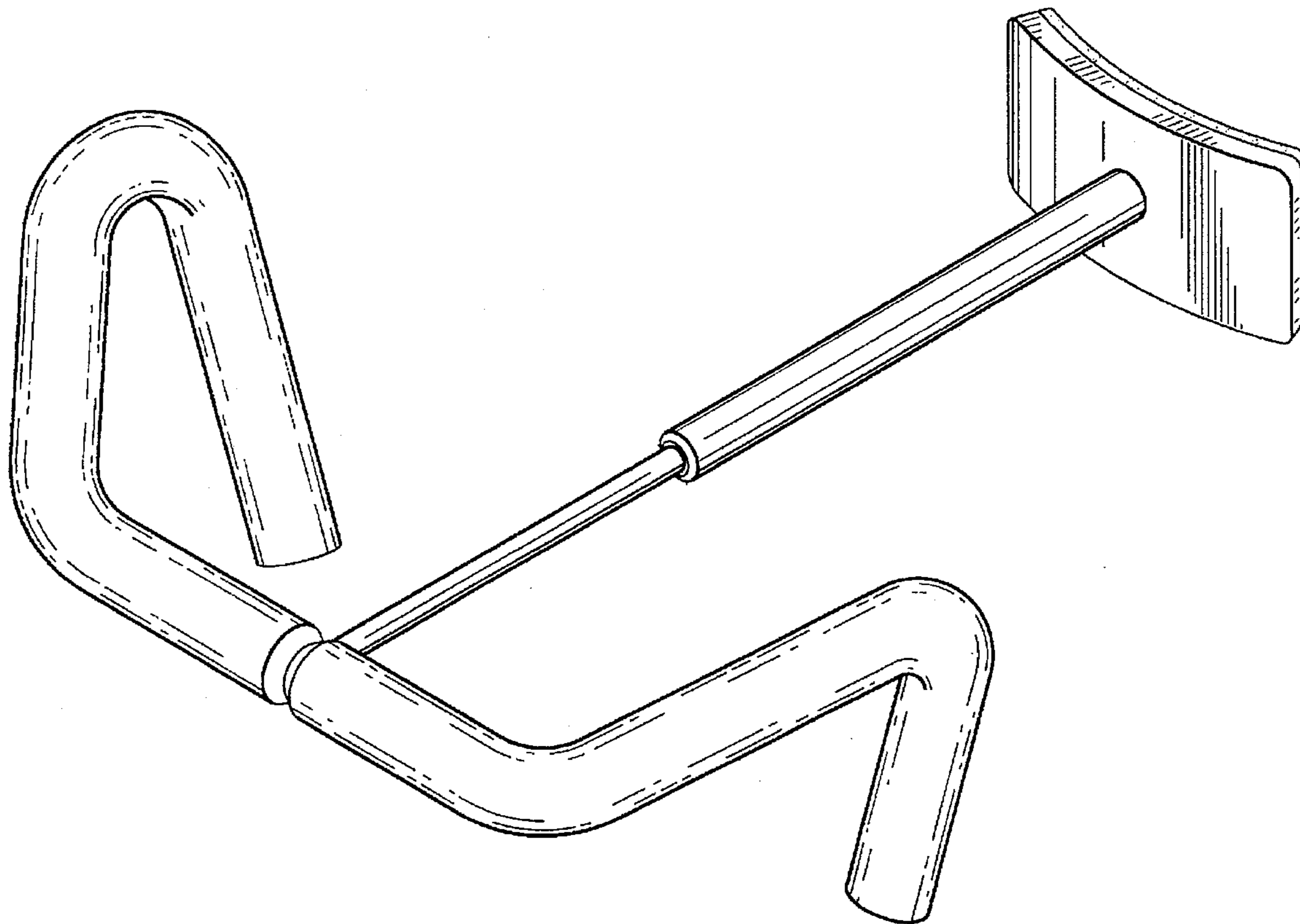
[57] CLAIM

The ornamental design for an abdominal exercise apparatus, as shown and described.

DESCRIPTION

FIG. 1 is a front perspective view of the abdominal exercise apparatus showing my new design;
FIG. 2 is a side elevational view thereof;
FIG. 3 is a rear elevational view thereof;
FIG. 4 is a front elevational view thereof;
FIG. 5 is a top plan view thereof; and,
FIG. 6 is a bottom plan view thereof.

1 Claim, 3 Drawing Sheets



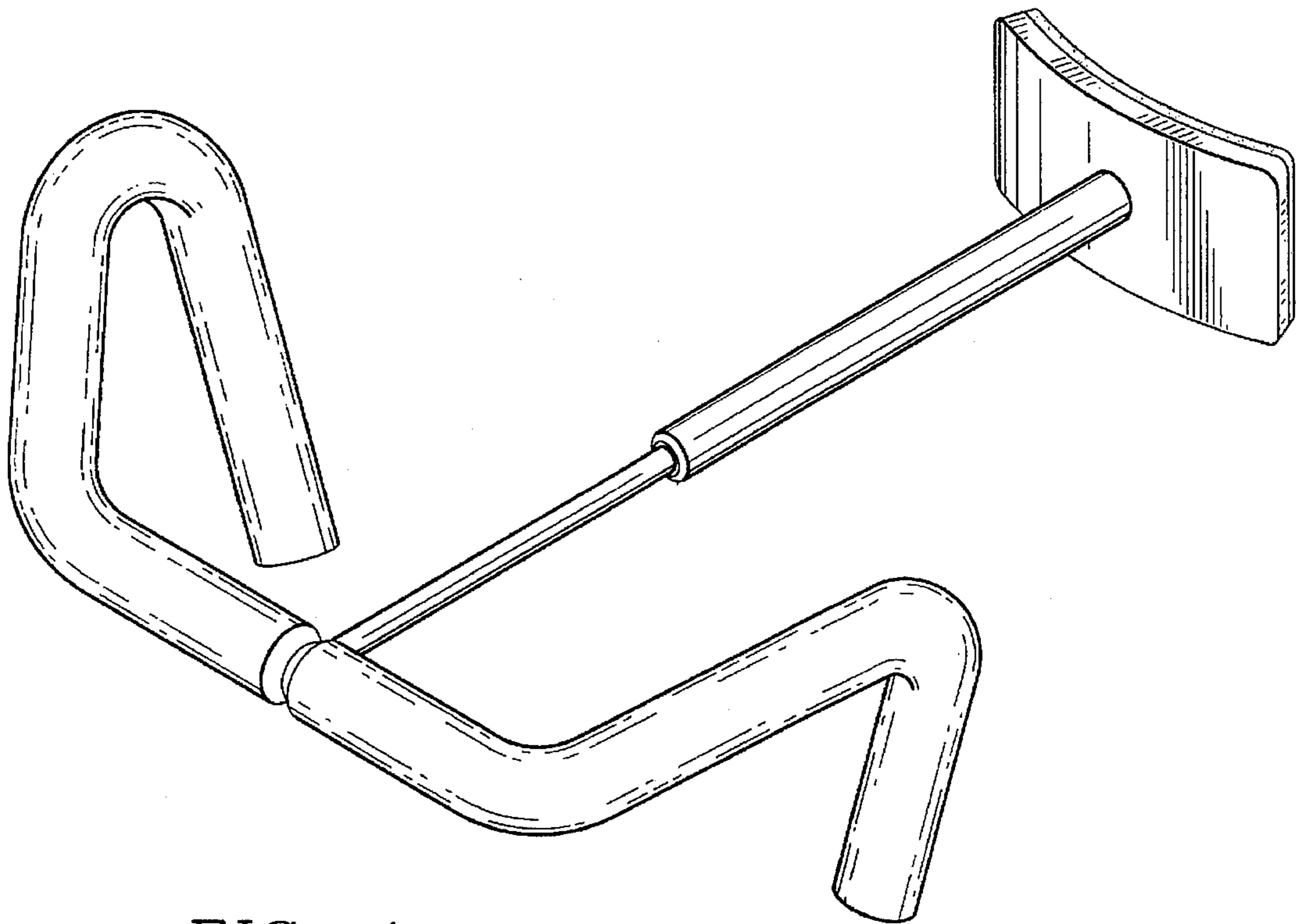


FIG. 1

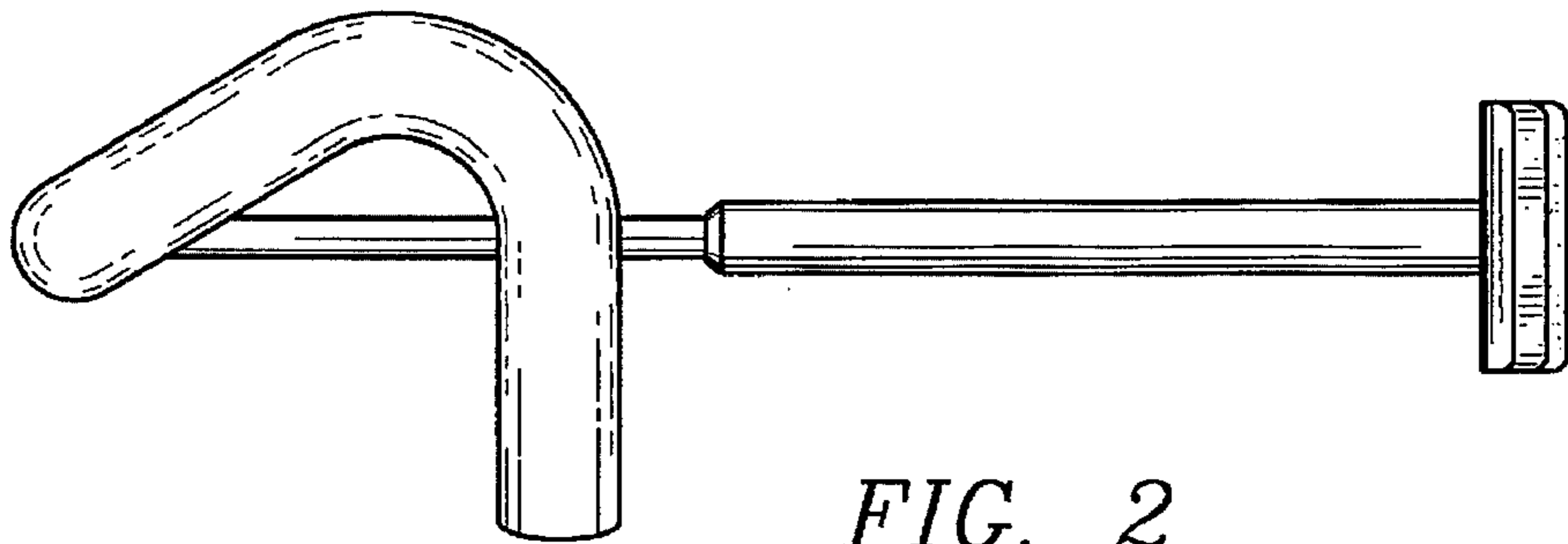


FIG. 2

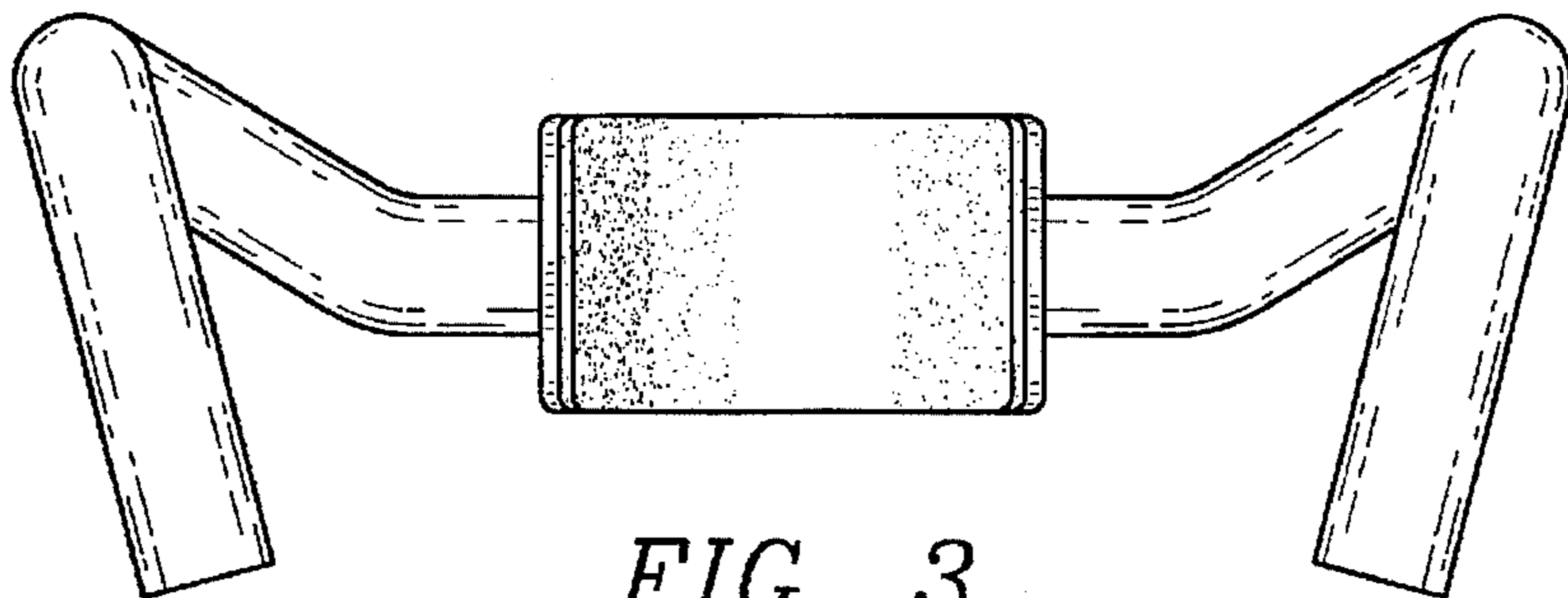


FIG. 3

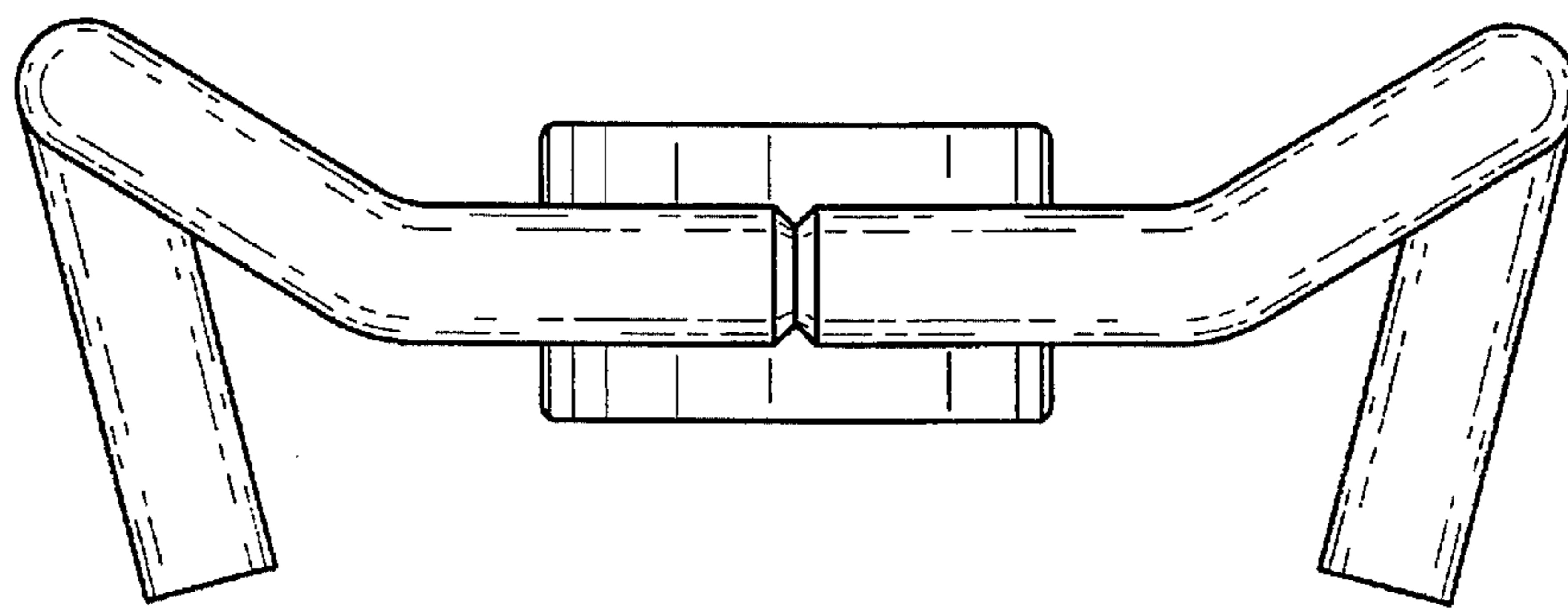


FIG. 4

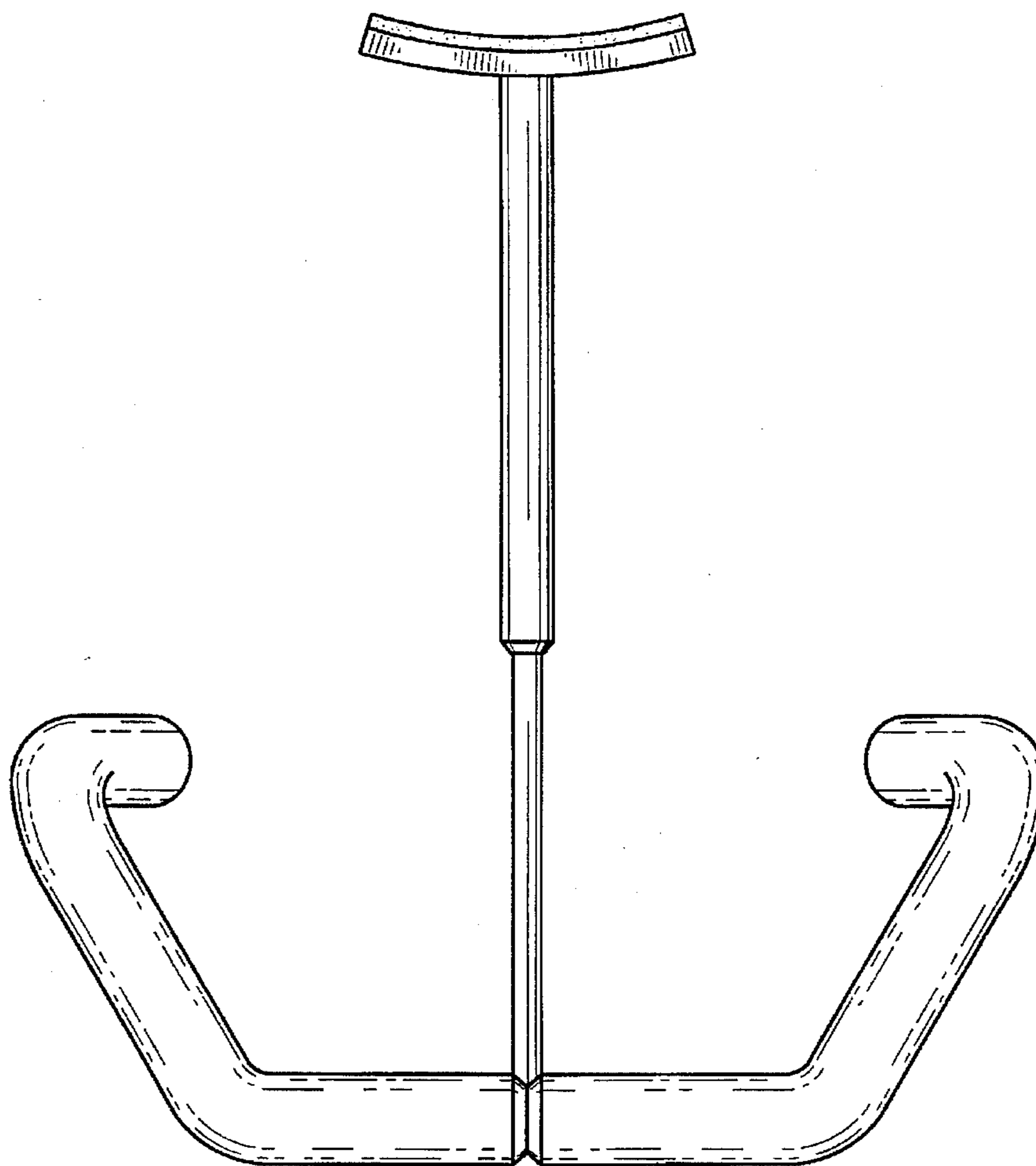


FIG. 5

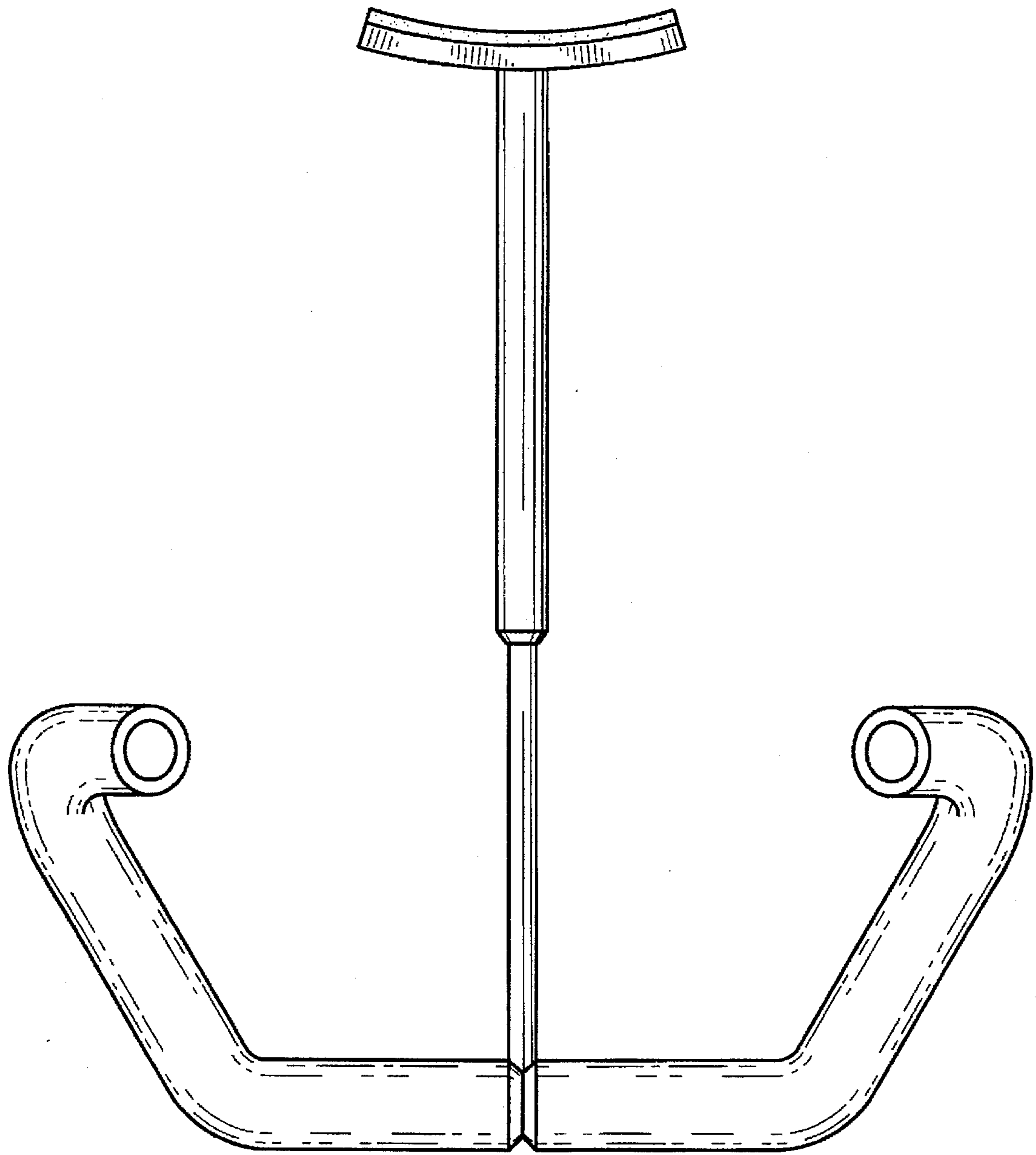


FIG. 6