



US00D379830S

# United States Patent [19] Wasylyk

[11] Patent Number: **Des. 379,830**

[45] Date of Patent: **\*\*Jun. 10, 1997**

[54] **COMBINATION NOTE PAD HOLDER AND KEY RING**

5,183,153 2/1993 Linn ..... 206/38.1  
5,467,871 11/1995 DeField ..... 206/38.1 X

[75] Inventor: **Frank H. Wasylyk**, Providence, R.I.

*Primary Examiner*—Susan J. Lucas  
*Assistant Examiner*—Pamela Burgess  
*Attorney, Agent, or Firm*—Salter & Michaelson

[73] Assignee: **Atlantic Coast Creations, Ltd.**, Providence, R.I.

[57] **CLAIM**

[\*\*] Term: **14 Years**

The ornamental design for a combination note pad holder and key ring, as shown and described.

[21] Appl. No.: **48,493**

**DESCRIPTION**

[22] Filed: **Dec. 29, 1995**

[51] **LOC (6) Cl.** ..... **19-02**

FIG. 1 is a perspective view of a combination note pad holder and key ring showing my new design;

[52] **U.S. Cl.** ..... **D19/90; D19/1; 206/38.1**

FIG. 2 is a top plan view thereof;

[58] **Field of Search** ..... **D19/1, 2, 78, 90,**

FIG. 3 is a bottom plan view thereof;

**D19/86; D3/207, 208; 283/63.1; 206/214, 224, 460, 38.1, 232**

FIG. 4 is a right end view thereof, the opposite end being a mirror image thereof;

FIG. 5 is a front elevational view thereof; and,

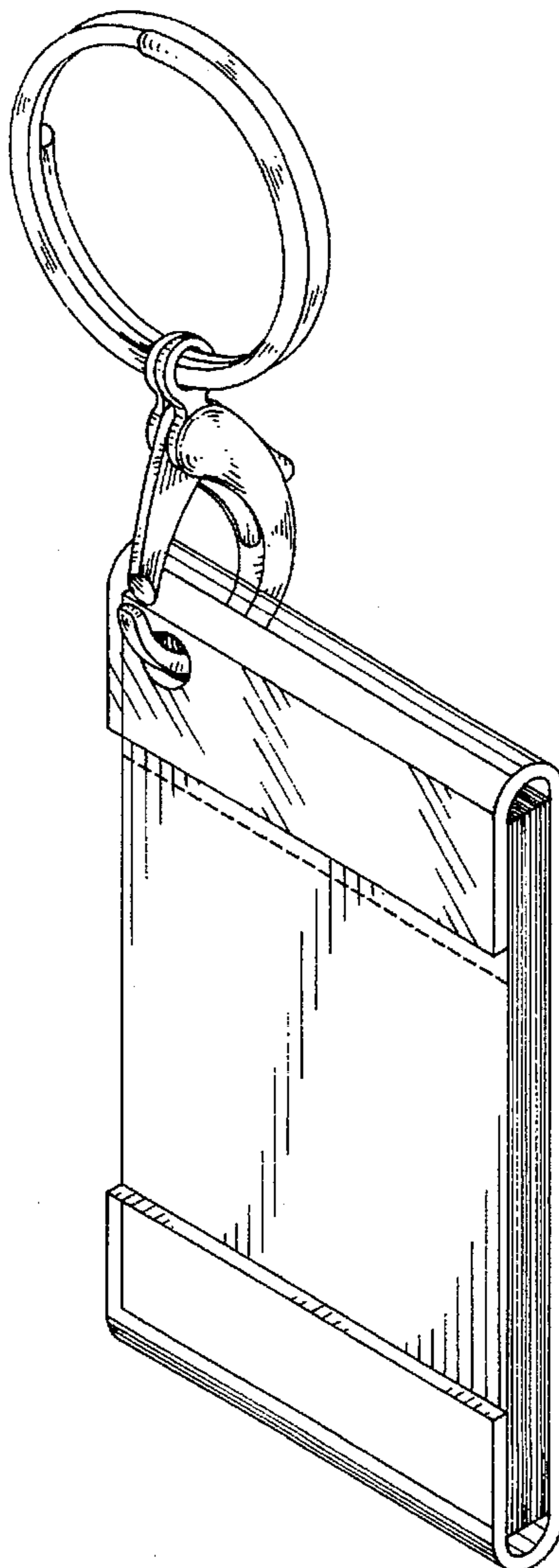
FIG. 6 is a rear elevational view thereof.

[56] **References Cited**

**U.S. PATENT DOCUMENTS**

3,808,710 5/1974 Ackerman et al. .... 206/460 X

**1 Claim, 2 Drawing Sheets**



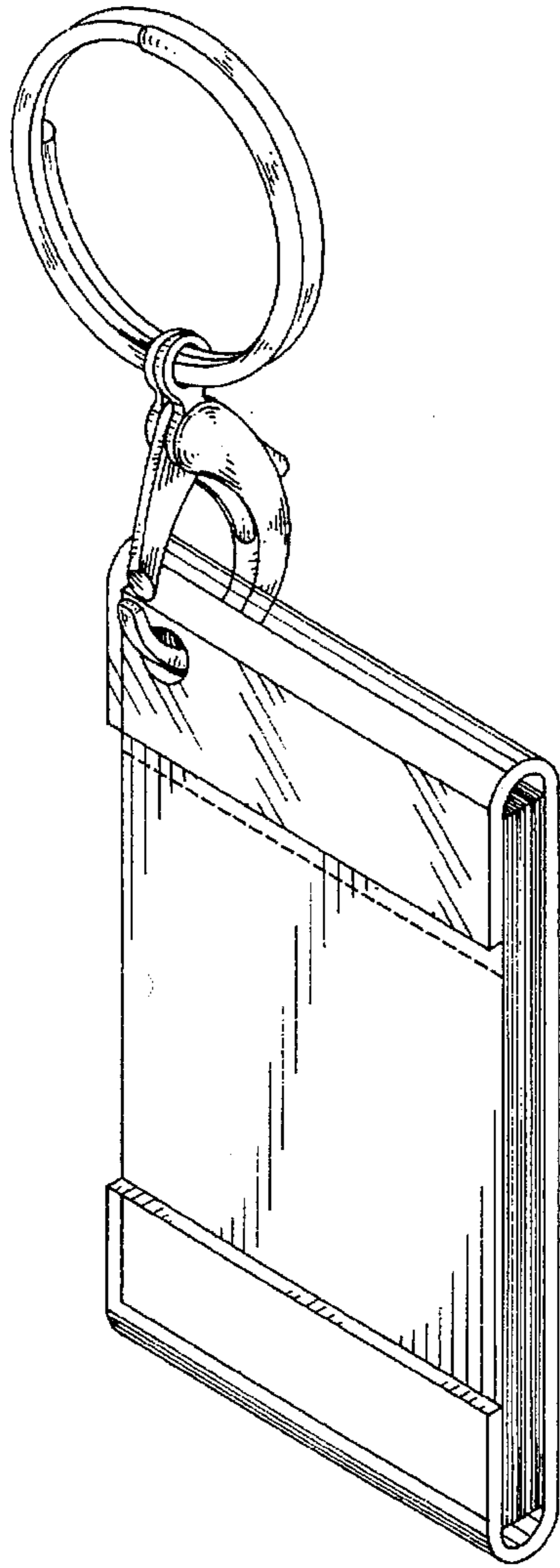


FIG. 1

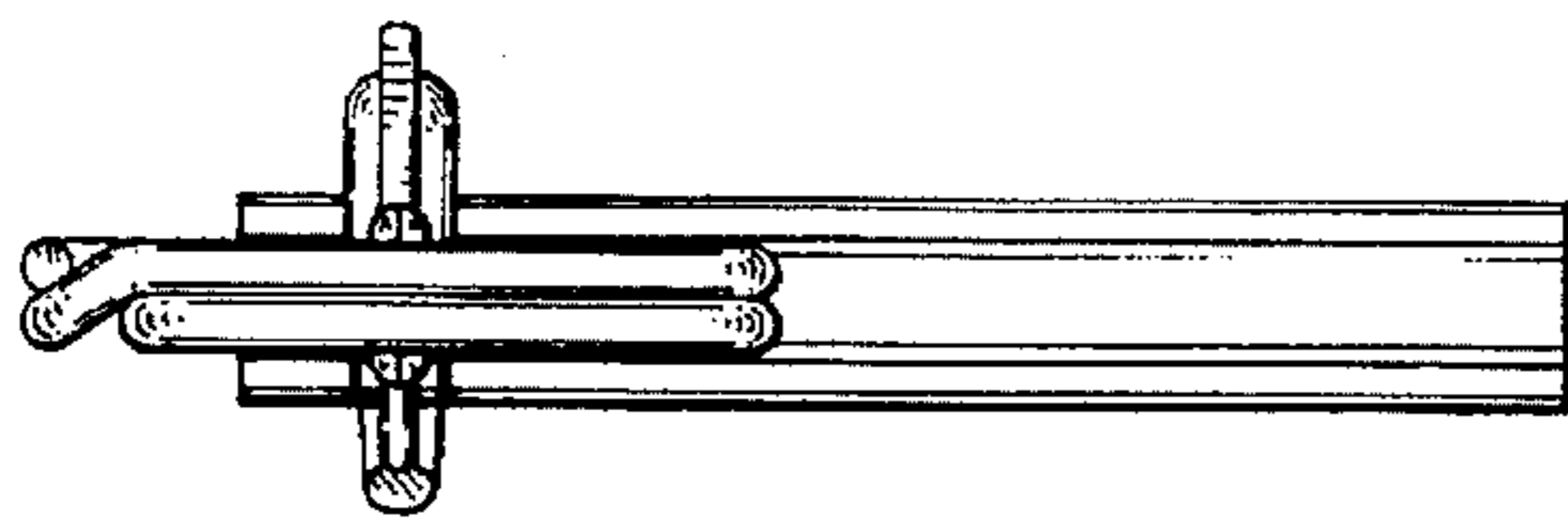


FIG. 2

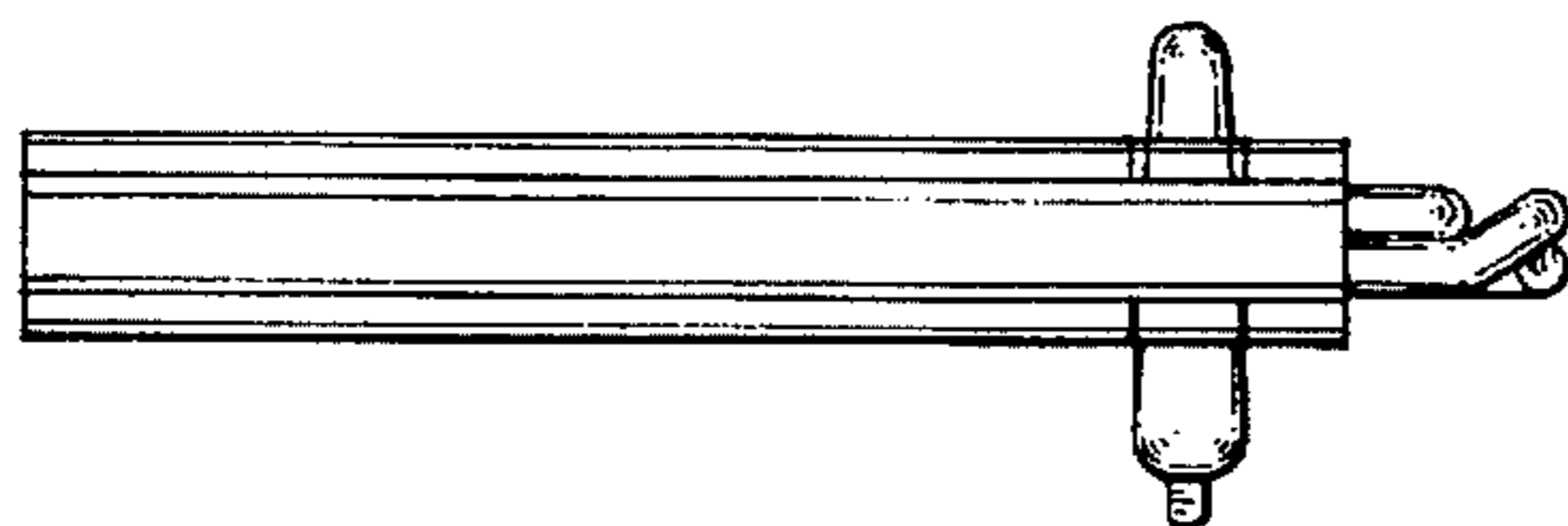


FIG. 3

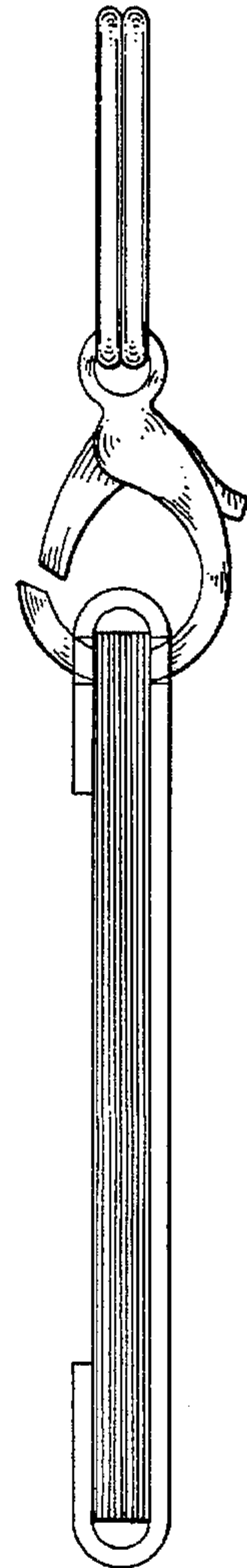


FIG. 4

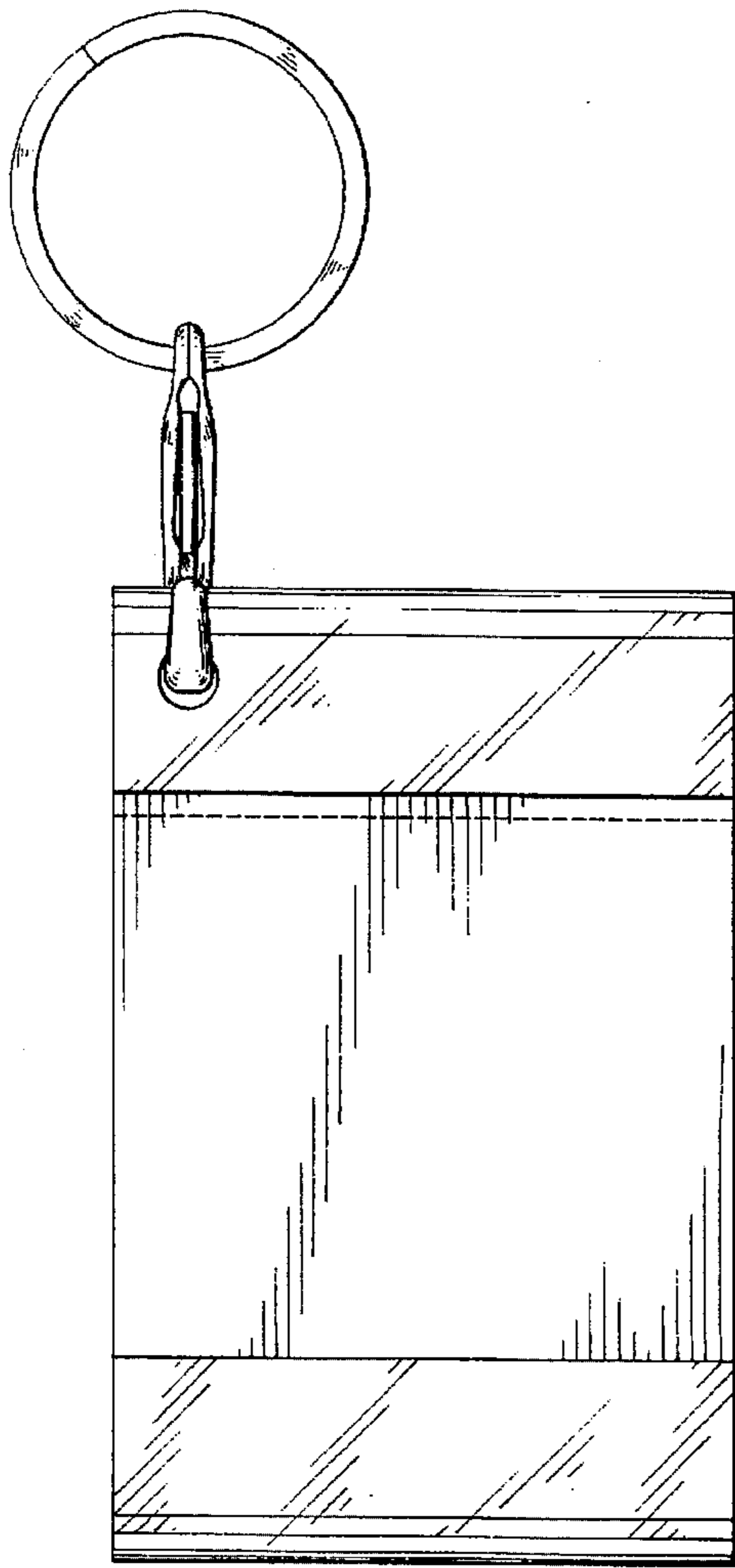


FIG. 5

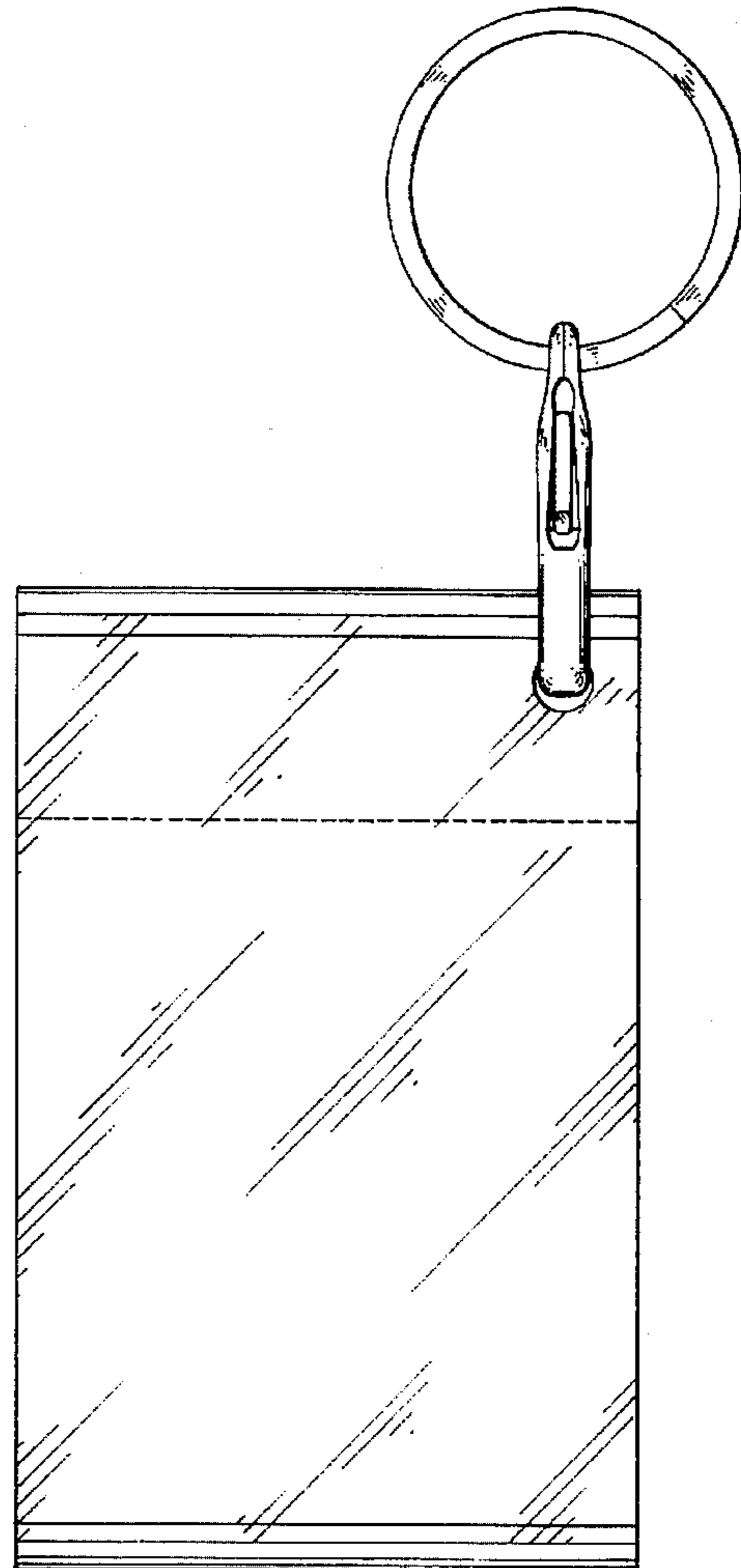


FIG. 6