



US00D379828S

United States Patent [19]

[11] Patent Number: **Des. 379,828**

Dubson

[45] Date of Patent: *****Jun. 10, 1997**

[54] **INK JET PRINTER WITH BOTTOM MEDIA INPUT TRAY UNIT**

D. 358,603	5/1995	Dodge et al.	D18/55
4,744,681	5/1988	Sheldon	D18/55
4,958,823	9/1990	Iwaki et al.	271/164
5,454,553	10/1995	Firl et al.	271/145

[75] Inventor: **Paul T. Dubson**, Escondido, Calif.

FOREIGN PATENT DOCUMENTS

[73] Assignee: **Hewlett-Packard Company**, Palo Alto, Calif.

165242	7/1988	Japan	271/164
35567	2/1989	Japan	D18/49

[*] Notice: The portion of the term of this patent subsequent to Apr. 8, 2011, has been disclaimed.

OTHER PUBLICATIONS

[**] Term: **14 Years**

Tektrouix brochure; Phaser™ 11sd Color Printer.
 Epson LP-1500S Laser Printer brochure; Dec. 3, 1993.
 Mitsubishi brochure for S340-10 Thermal-Line Colour Printer; Nov. 1989.
 Compaq brochure; Compaq Pagemarg 20 Laser Printer.

[21] Appl. No.: **35,660**

Primary Examiner—Cathy Anne MacCormac

[22] Filed: **Mar. 3, 1995**

[51] LOC (6) Cl. **18-02**

[57] CLAIM

[52] U.S. Cl. **D18/55**

The ornamental design for an ink jet printer with bottom media input tray unit, as shown.

[58] Field of Search D18/46-49, 50, D18/54, 55; 400/691-694, 613.1-613.4, 690.1-690.4, 613; 271/2, 9.09, 9.11, 9.13, 162, 164, 145

DESCRIPTION

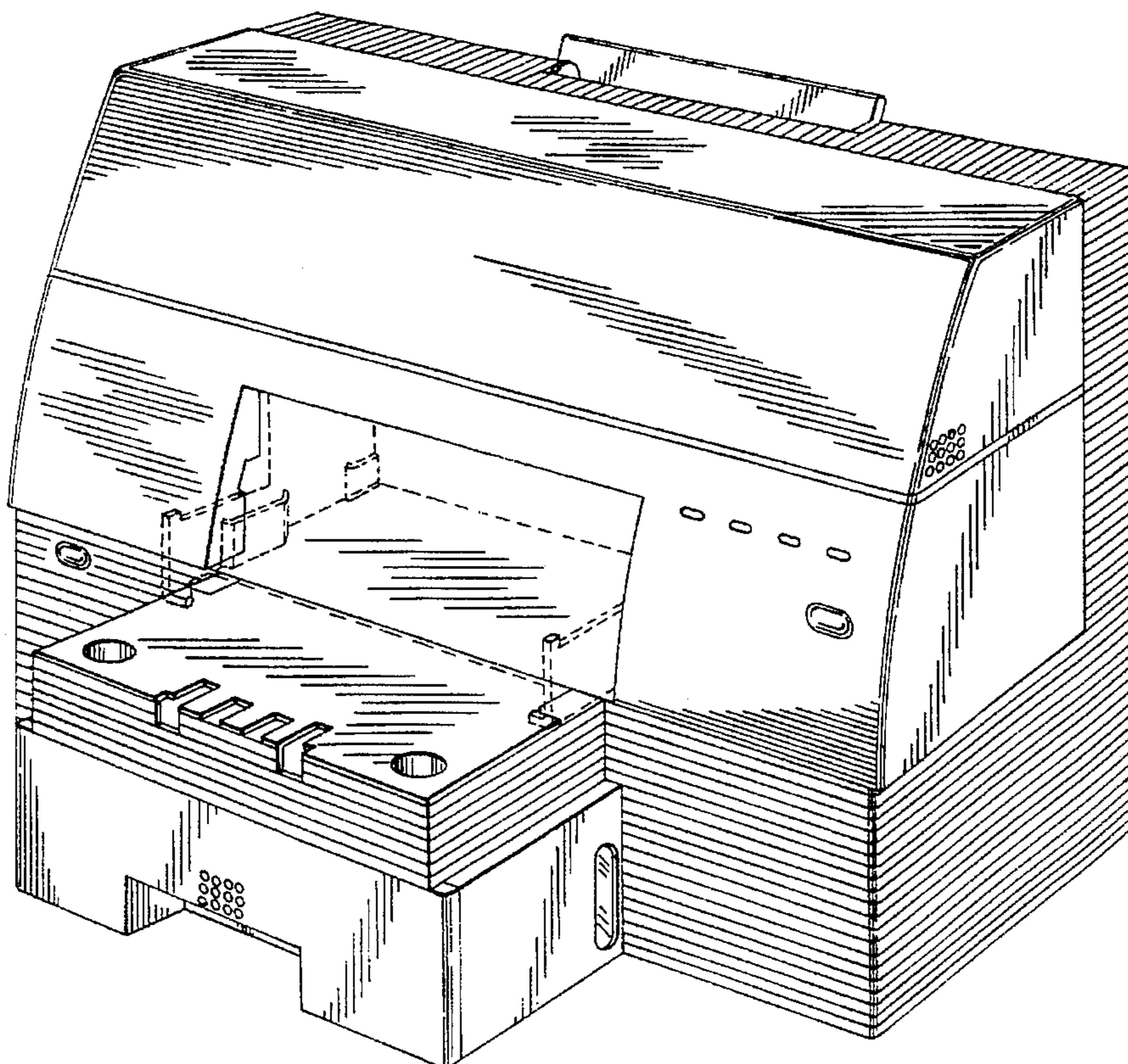
[56] References Cited

U.S. PATENT DOCUMENTS

D. 232,195	7/1974	Conway et al.	D18/55
D. 317,173	5/1991	Kojima et al.	D18/49
D. 322,451	12/1991	McClelland et al.	D18/55
D. 335,894	5/1993	Nishikaze et al.	D18/55
D. 343,637	1/1994	Umino et al.	D18/55
D. 348,899	7/1994	Masujima et al.	D18/55
D. 356,596	3/1995	Dubson et al.	D18/55

FIG. 1 is a perspective view illustrating my new design;
 FIG. 2 is a top plan view;
 FIG. 3 is a front elevational view;
 FIG. 4 is a bottom plan view;
 FIG. 5 is a rear elevational view;
 FIG. 6 is a right side elevational view; and,
 FIG. 7 is a left side elevational view.
 The broken lines are for purposes of illustration only and form no part of the claimed design.

1 Claim, 4 Drawing Sheets



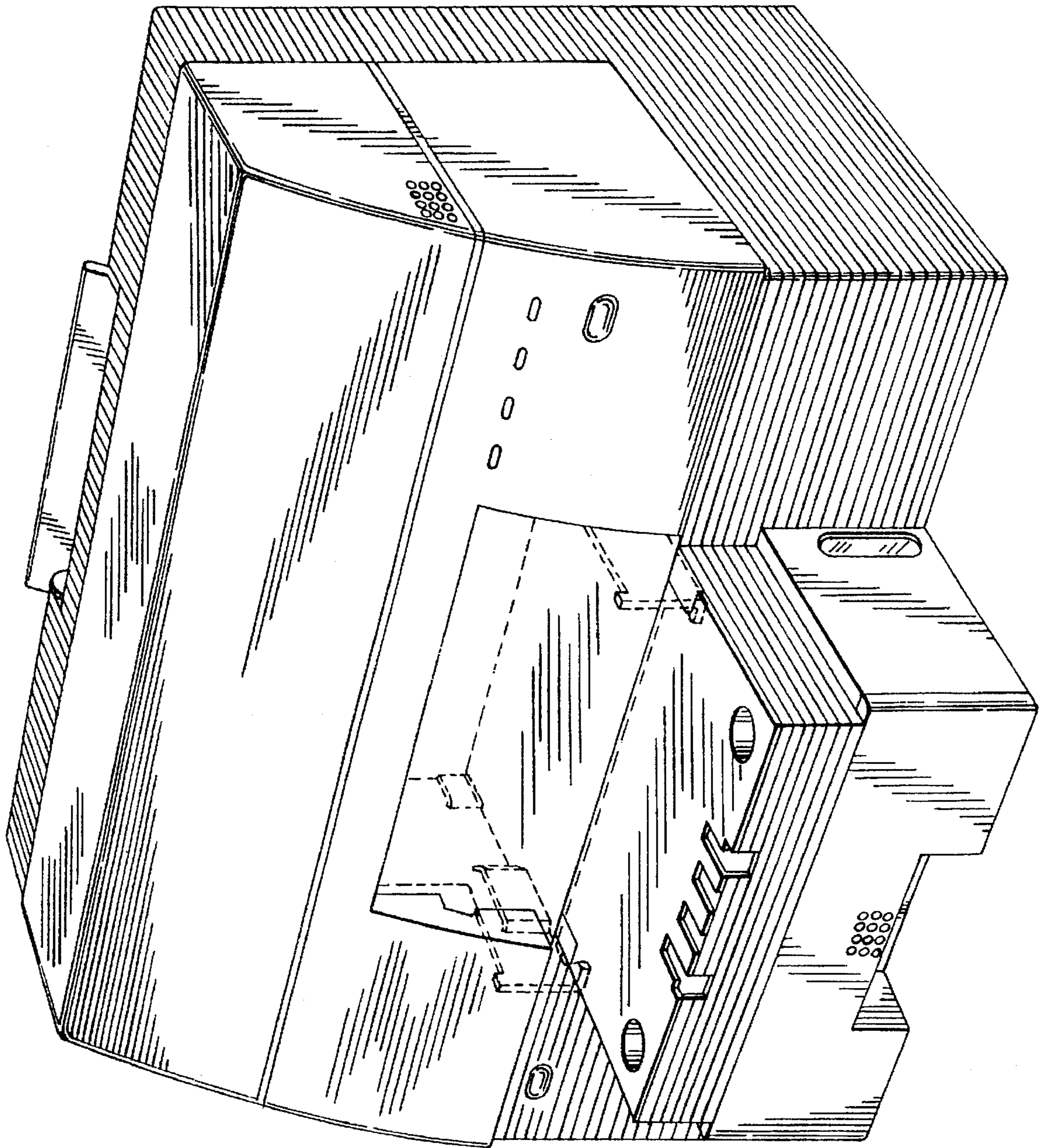


FIG. 1

FIG. 2

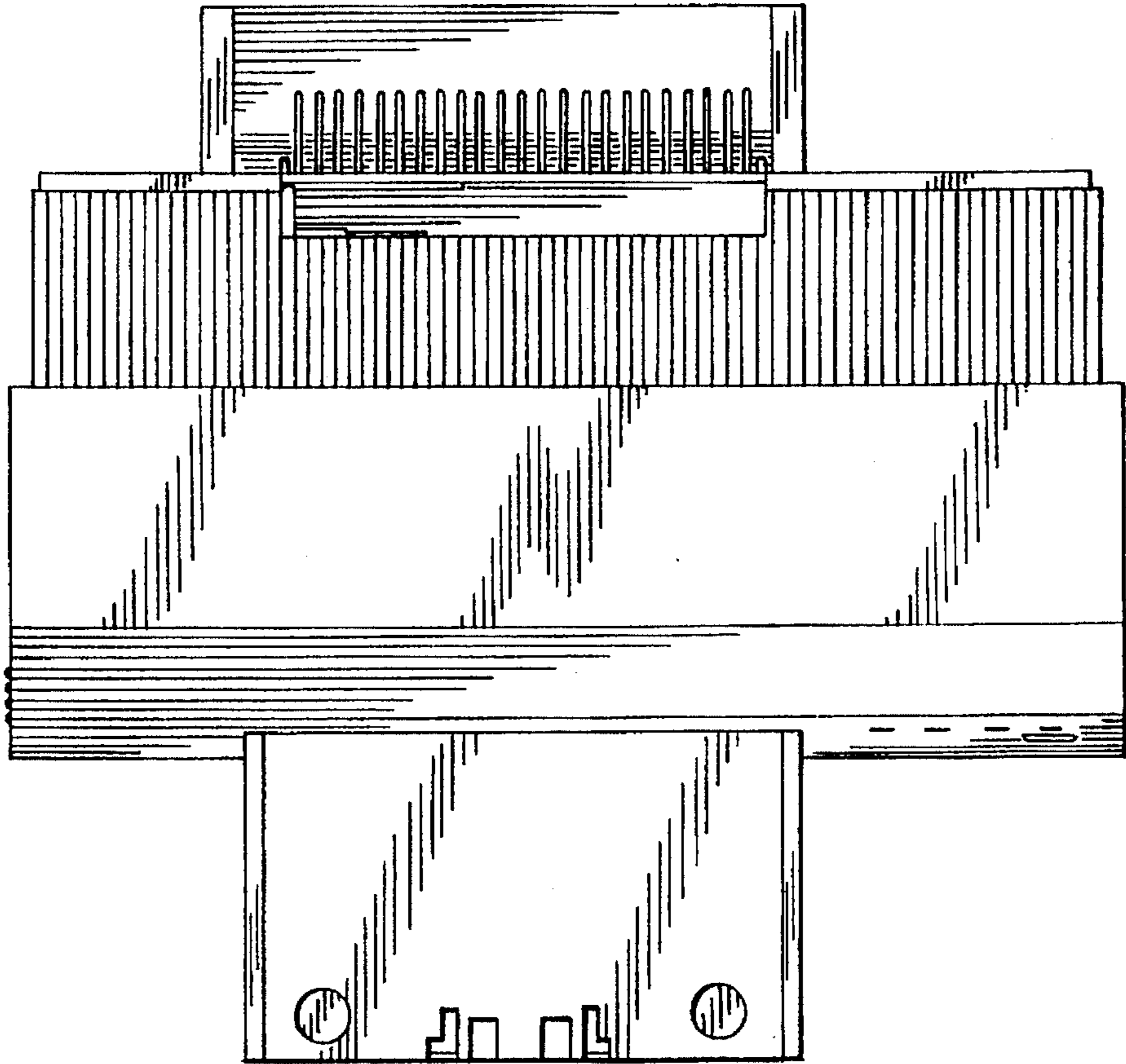


FIG. 3

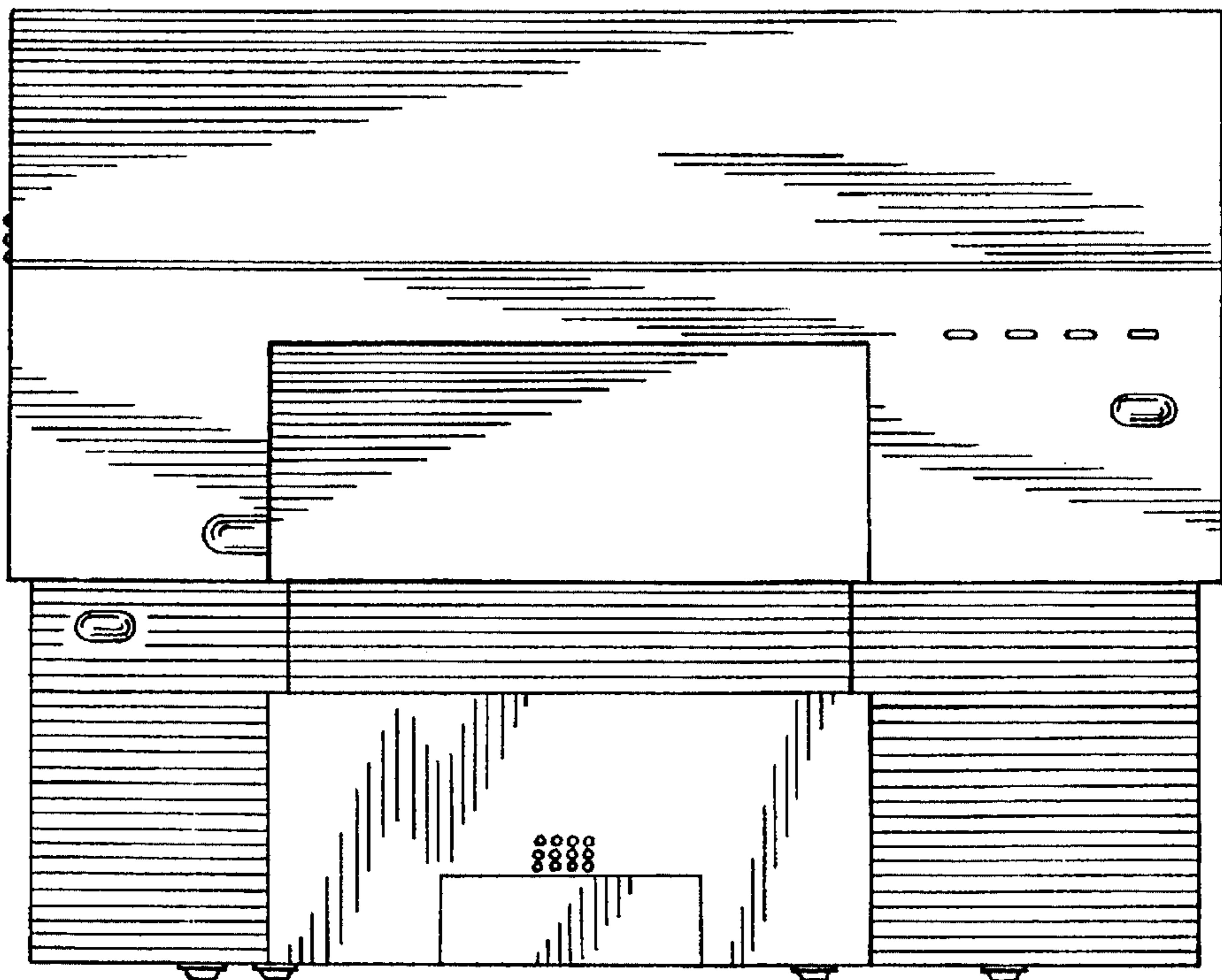


FIG. 4

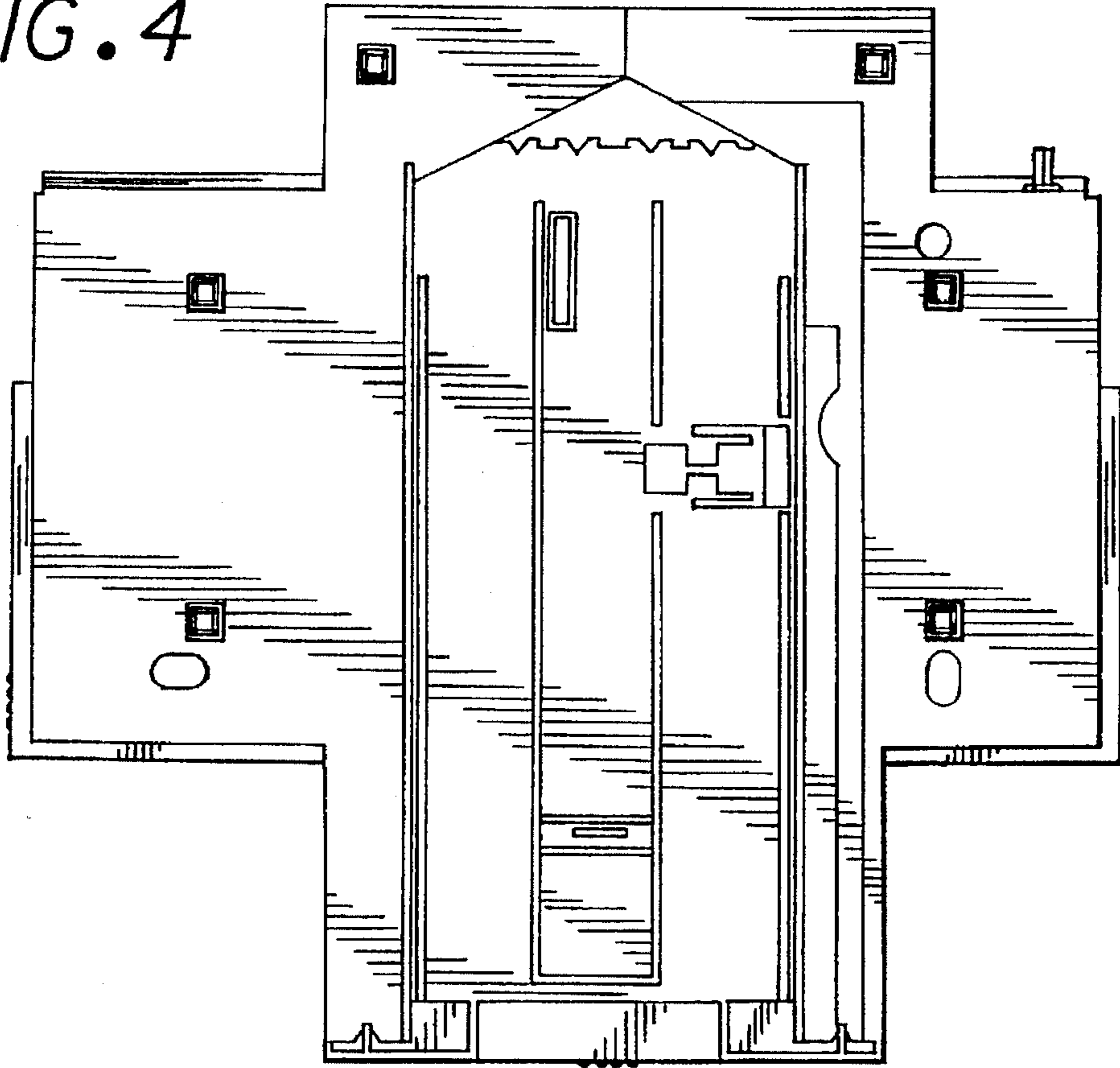


FIG. 5

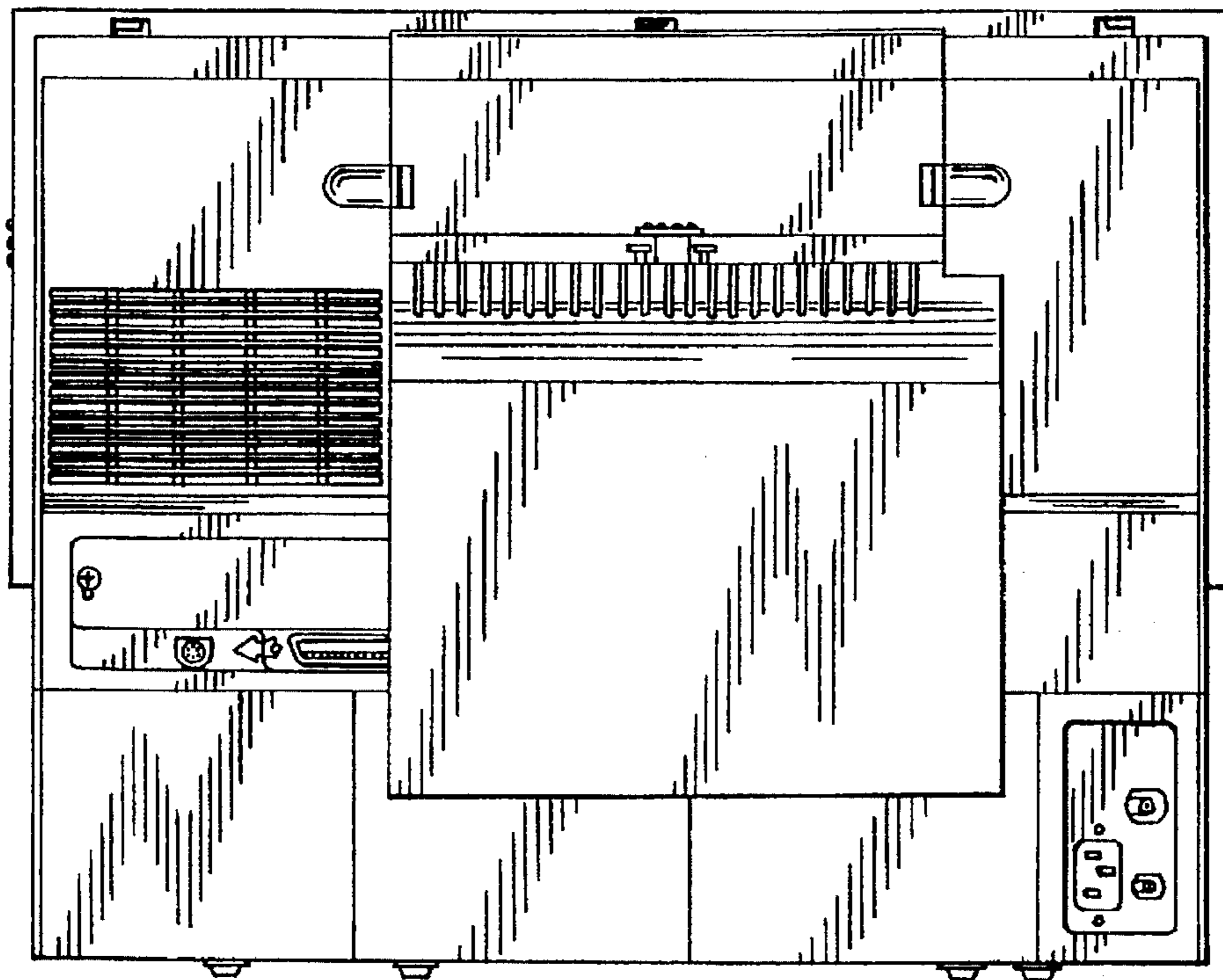


FIG. 6

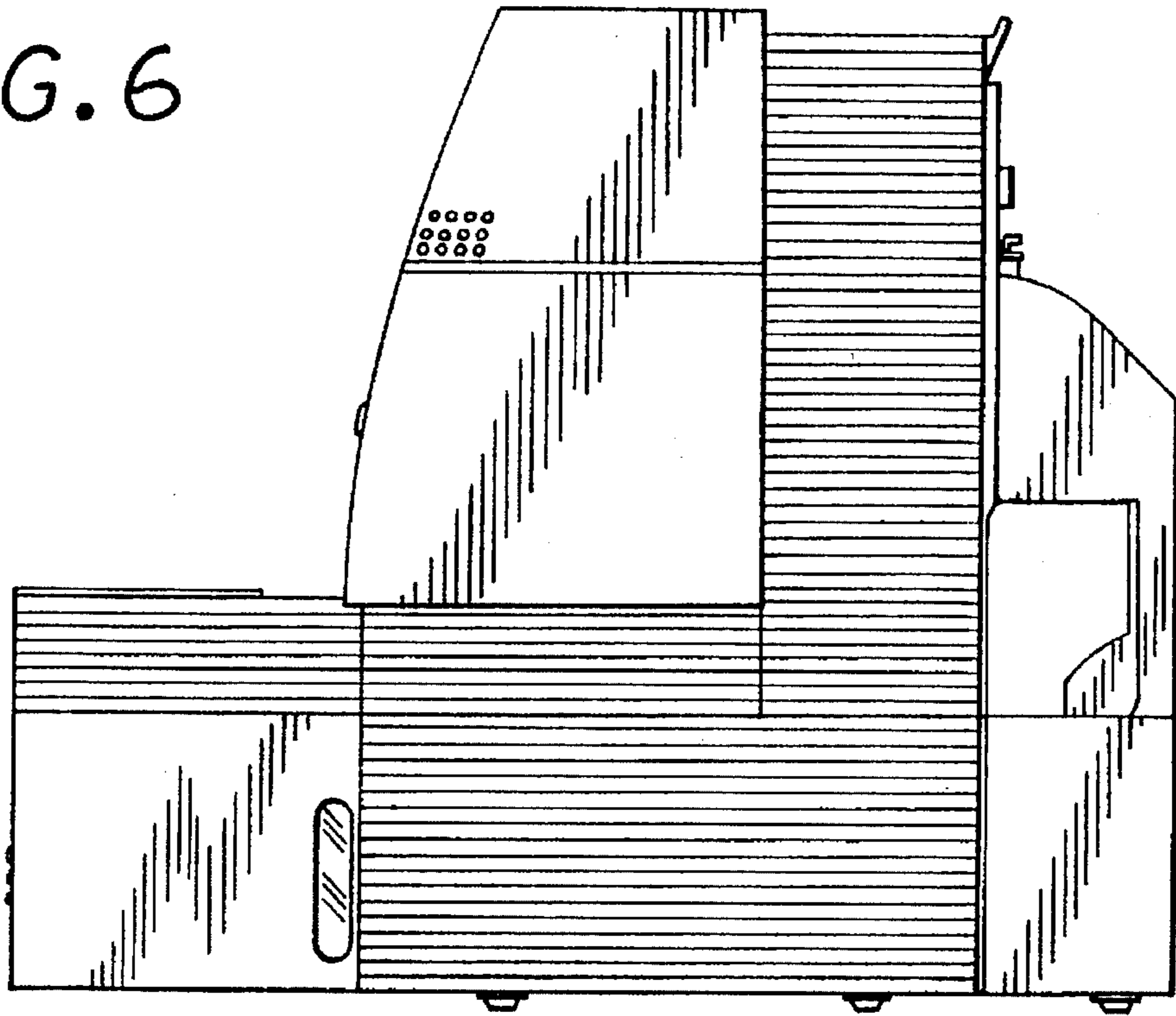


FIG. 7

